



US00D471785S

(12) **United States Design Patent**  
**Yu**

(10) **Patent No.:** **US D471,785 S**

(45) **Date of Patent:** **\*\* Mar. 18, 2003**

(54) **COMPUTER LOCK**

D427,883 S \* 7/2000 Ling ..... D8/331

(76) Inventor: **Chun Te Yu**, No. 41-21, Kuan-Tsui St.,  
Hsia-Nien Tsun, Fu-Hsing Hsiang,  
Changhua County (TW)

\* cited by examiner

*Primary Examiner*—Brian N. Vinson  
(74) *Attorney, Agent, or Firm*—Troxell Law Office PLLC

(\*\*) Term: **14 Years**

(57) **CLAIM**

(21) Appl. No.: **29/161,561**

The ornamental design for a “computer lock”, shown and described.

(22) Filed: **Jun. 3, 2002**

(51) **LOC (7) Cl.** ..... **08-07**

(52) **U.S. Cl.** ..... **D8/331**

(58) **Field of Search** ..... D8/330, 331, 343;  
70/14, 57, 57.1, 58, 158, 163, 174; D14/432,  
433

**DESCRIPTION**

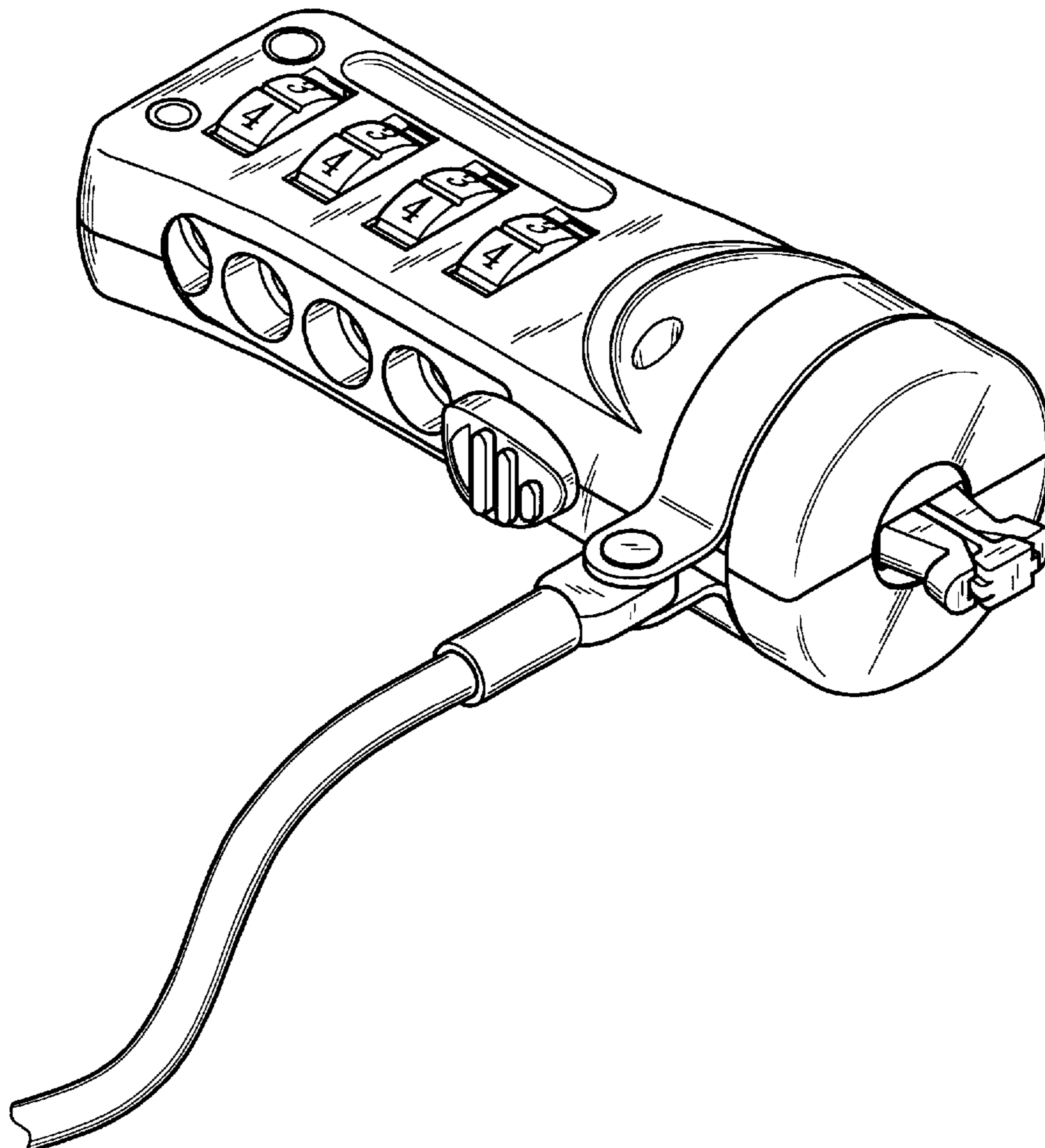
FIG. 1 is a perspective view showing our new design for “computer lock”  
FIG. 2 is a front elevational view thereof;  
FIG. 3 is a rear elevational view thereof;  
FIG. 4 is a left side elevational view thereof;  
FIG. 5 is a right side elevational view thereof;  
FIG. 6 is a top view thereof;  
FIG. 7 is a bottom view thereof; and,  
FIG. 8 is a perspective view thereof, with the broken-line disclosure of environmental structure being for illustrative purposes only and forming no part of the claimed design.

(56) **References Cited**

**U.S. PATENT DOCUMENTS**

|             |   |         |                  |       |         |
|-------------|---|---------|------------------|-------|---------|
| D347,987 S  | * | 6/1994  | Carl et al.      | ..... | D8/343  |
| 5,327,752 A | * | 7/1994  | Myers et al.     | ..... | 70/58   |
| 5,381,685 A | * | 1/1995  | Carl et al.      | ..... | 70/57   |
| D370,621 S  | * | 6/1996  | Themistos et al. | ..... | D8/343  |
| 5,687,592 A | * | 11/1997 | Penniman et al.  | ..... | 70/58 X |

**1 Claim, 7 Drawing Sheets**



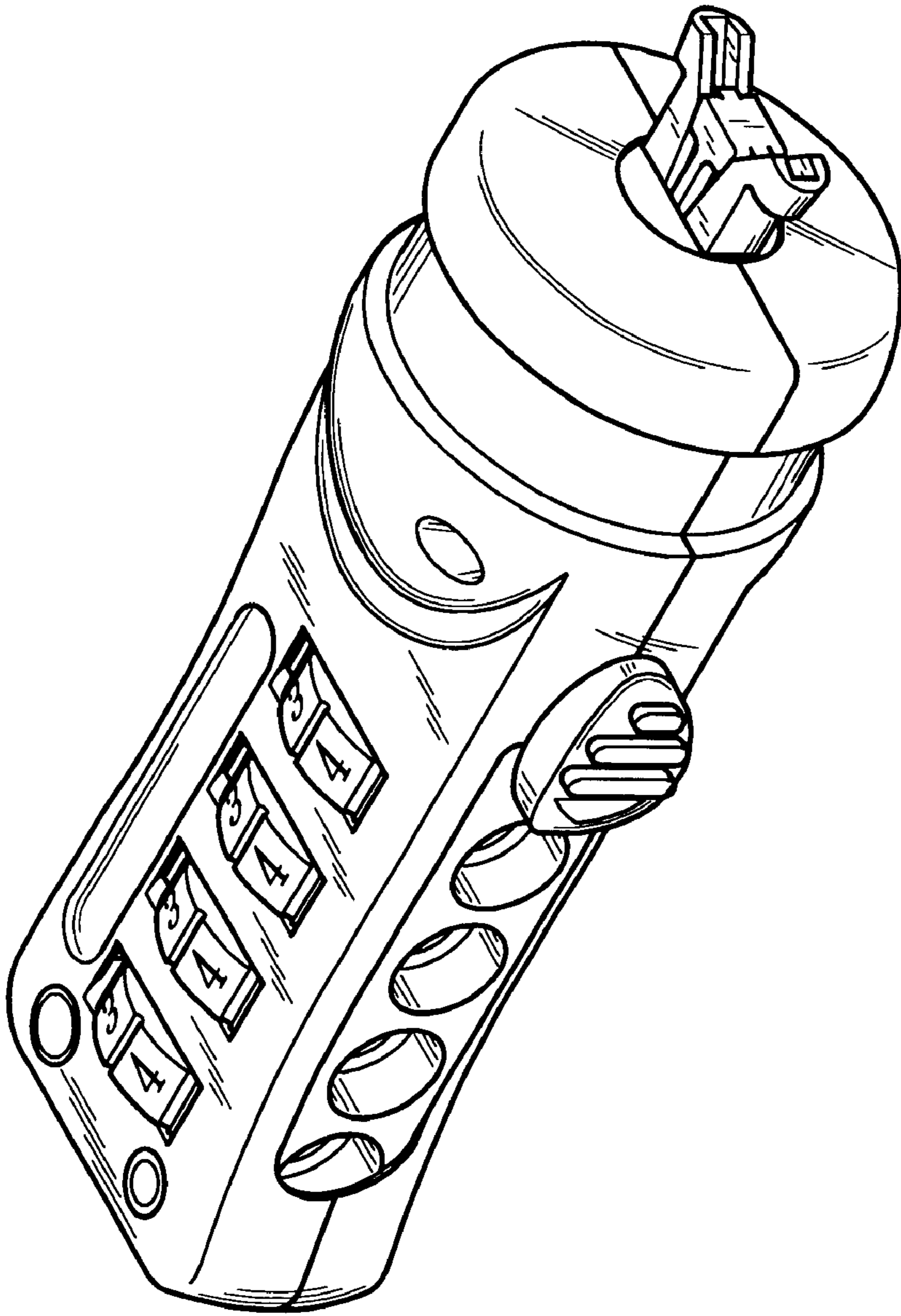


Fig. 1

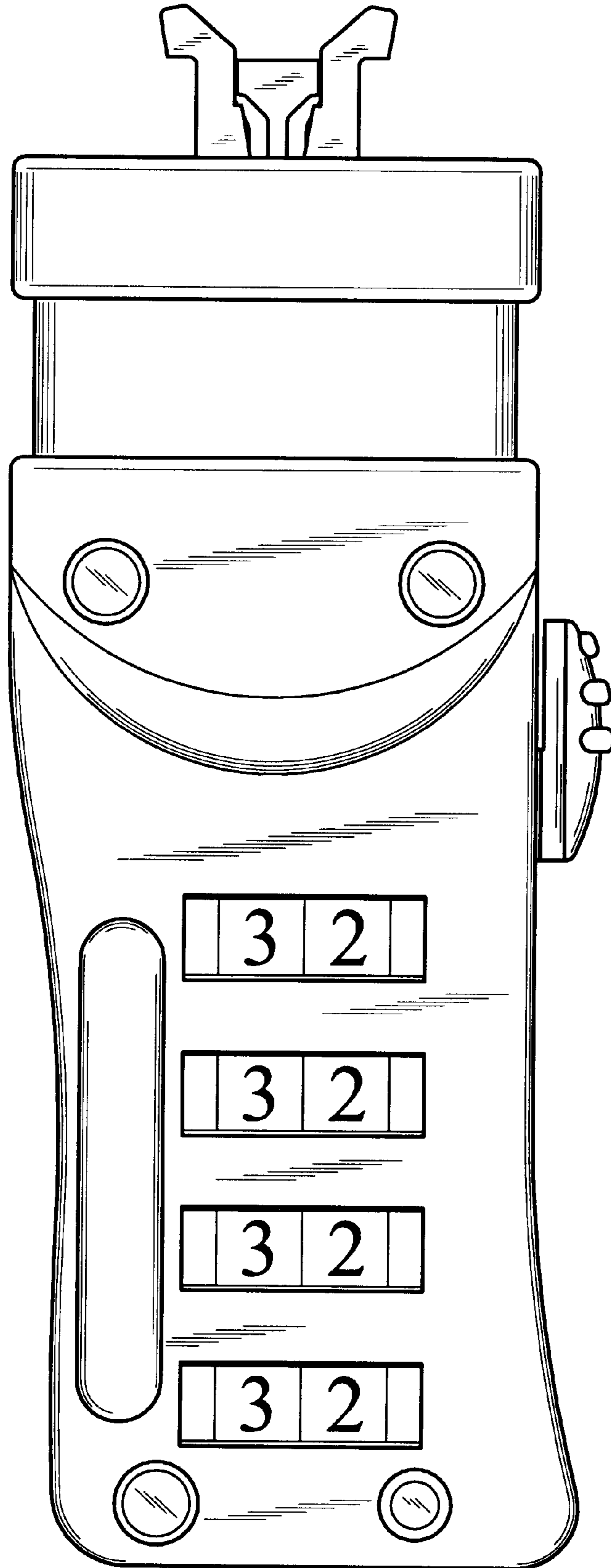


Fig. 2

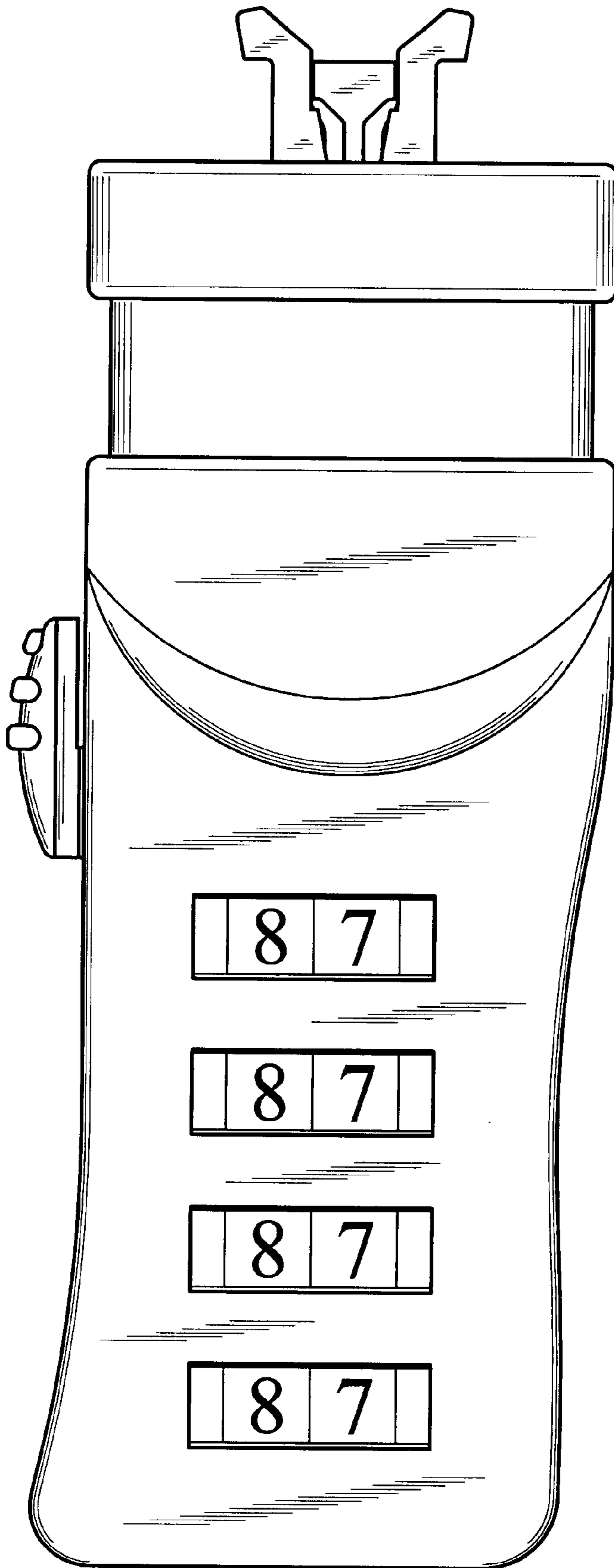


Fig. 3

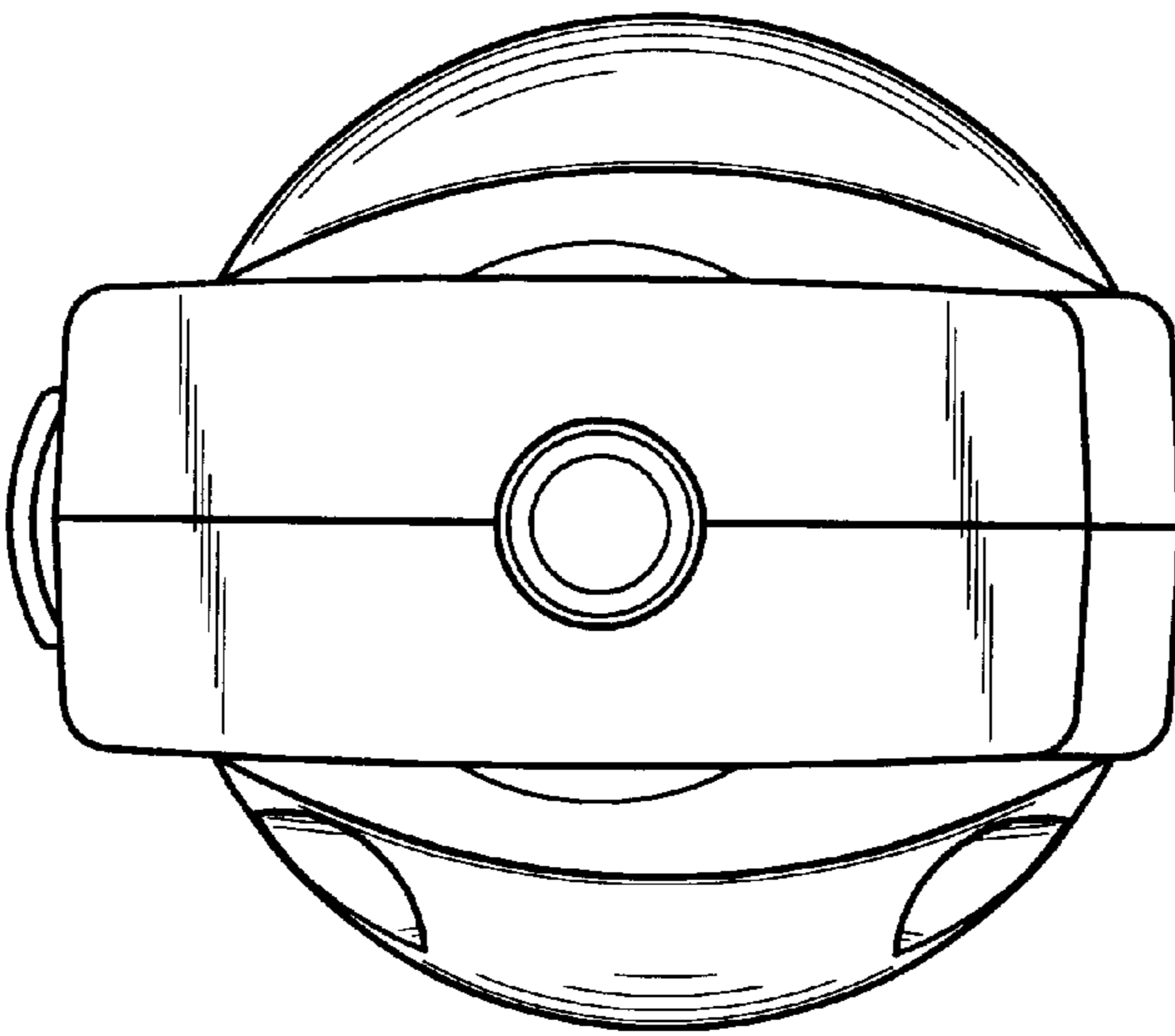


Fig. 4

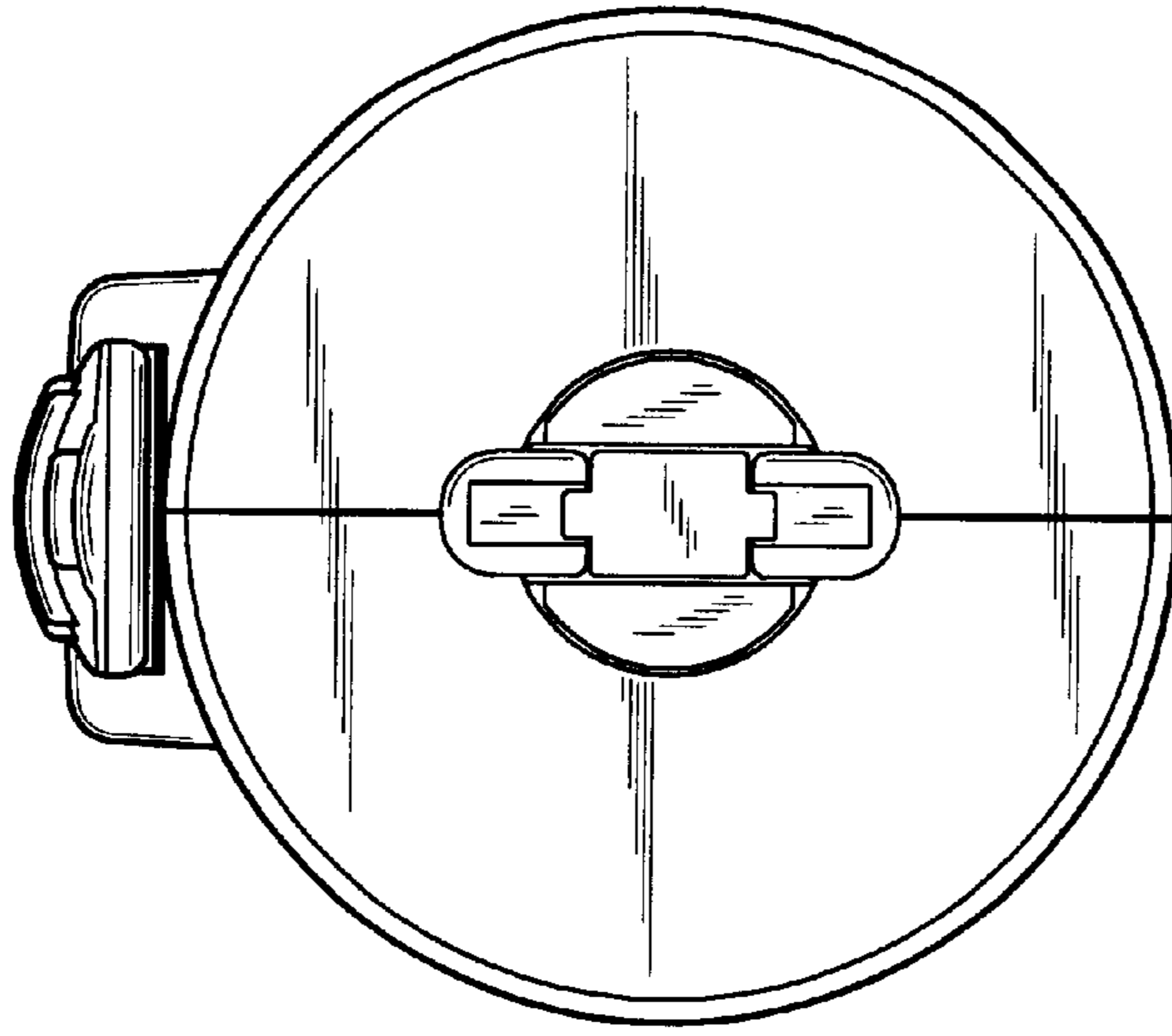


Fig. 5

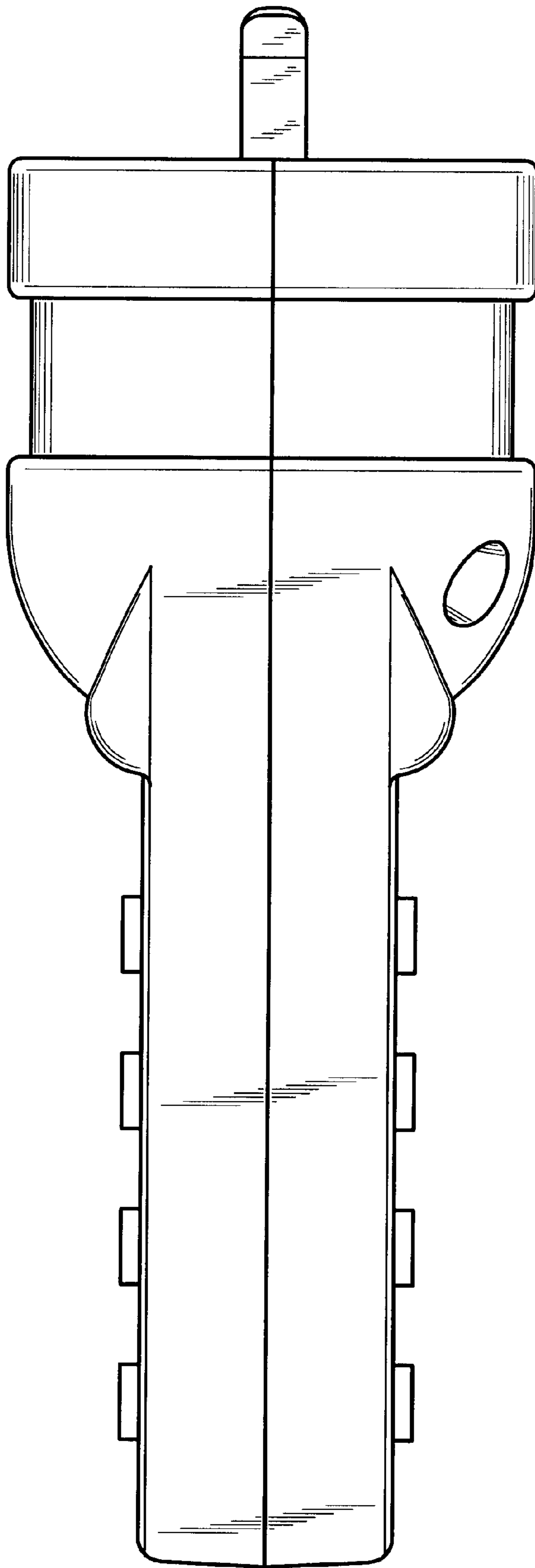


Fig. 6



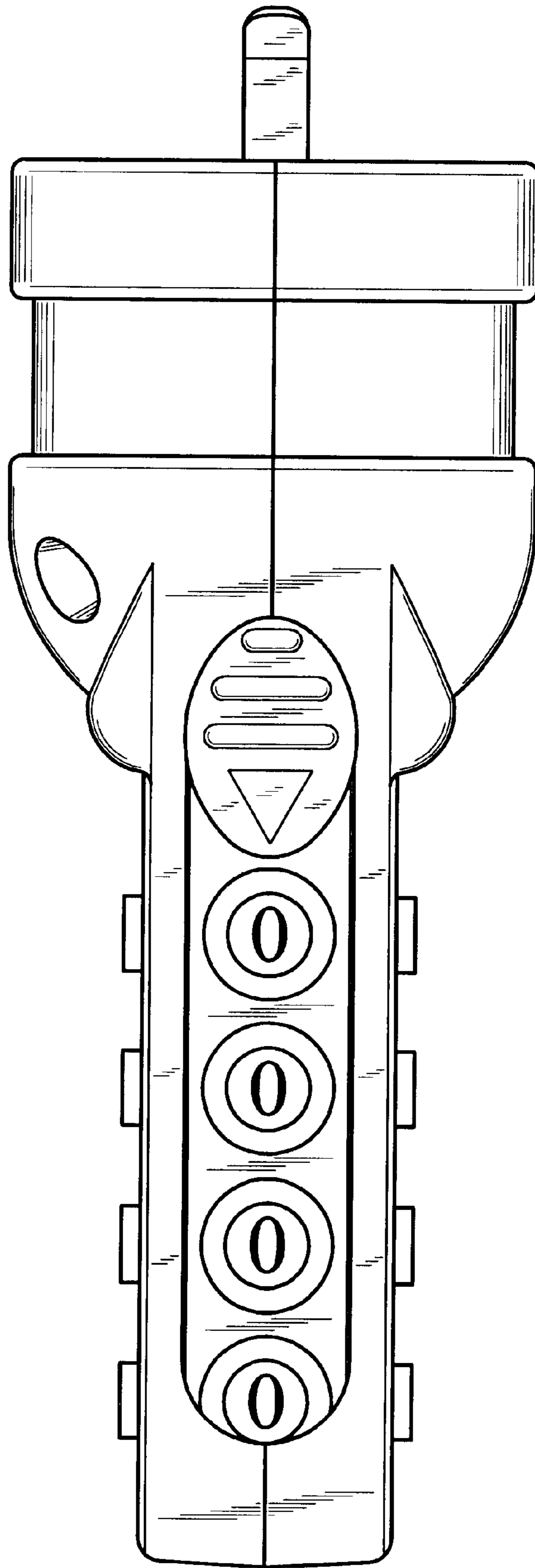


Fig. 7

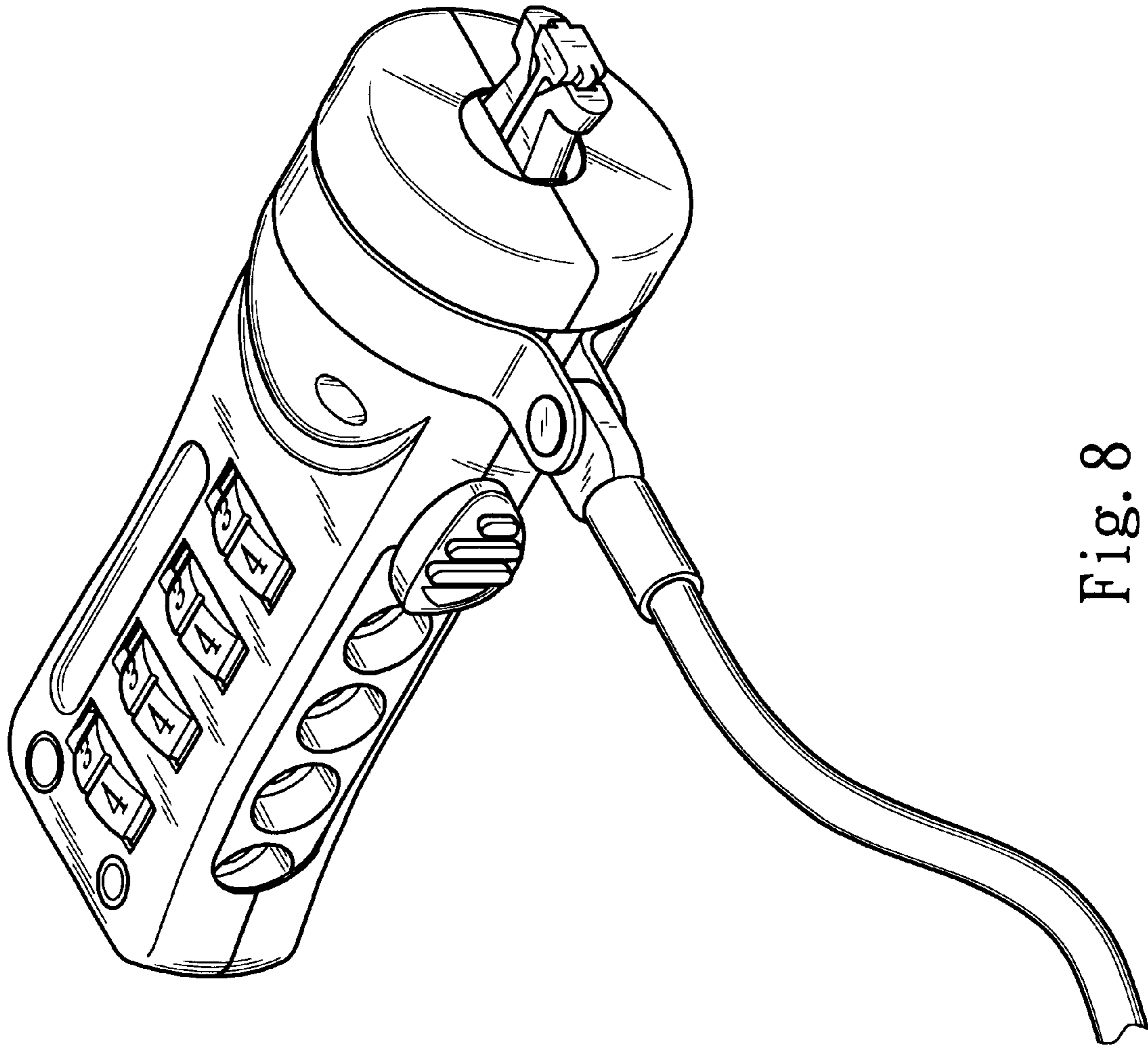


Fig. 8