



US00D471784S

(12) **United States Design Patent**
Garvis et al.

(10) **Patent No.:** **US D471,784 S**

(45) **Date of Patent:** **** Mar. 18, 2003**

(54) **BODY FOR HAND HELD MACHINE TOOL**

(75) Inventors: **Conrad A. Garvis**, Mason, OH (US);
Paul Patterson, Cincinnati, OH (US);
Kenneth P. Richied, Liberty Township,
OH (US); **John T. Burke**,
Williamsburg, OH (US)

(73) Assignee: **Senco Products, Inc.**, Cincinnati, OH
(US)

(**) Term: **14 Years**

(21) Appl. No.: **29/154,982**

(22) Filed: **Feb. 1, 2002**

(51) **LOC (7) Cl.** **08-05**

(52) **U.S. Cl.** **D8/68**

(58) **Field of Search** D8/61, 62, 63,
D8/64, 65, 66, 67, 68, 69, 70; 81/57.11,
429, 464, 465, 466, 469, 489; 173/13, 169,
178, 213, 217; 227/8, 114, 120, 130, 136,
142; 310/50; 408/20, 124, 125, 234, 241 R;
451/358

(56) **References Cited**

U.S. PATENT DOCUMENTS

D221,206 S	*	7/1971	Yran	D8/68
3,699,366 A	*	10/1972	Wood	310/50
3,724,237 A	*	4/1973	Wood	81/489
D246,946 S		1/1978	Schultz	D8/68
D256,771 S	*	9/1980	Kitagawa et al.	D8/68
D260,354 S		8/1981	Proops et al.	D8/61
4,730,134 A	*	3/1988	Sistare	310/50
D337,710 S		7/1993	Lui et al.	D8/68
5,447,205 A	*	9/1995	Thurler	173/217

5,653,294 A	*	8/1997	Thurler	81/489
D394,995 S	*	6/1998	Cooper	D8/68
D415,002 S		10/1999	Rogers et al.	D8/69
D416,182 S		11/1999	Kaiser et al.	D8/61
D416,775 S		11/1999	Hwang et al.	D8/69
5,984,022 A	*	11/1999	Harman, Jr. et al.	81/57.11
D420,878 S		2/2000	Li	D8/69
6,124,652 A	*	9/2000	Karasa et al.	310/50

* cited by examiner

Primary Examiner—Doris V. Coles

Assistant Examiner—T. Chase Nelson

(74) *Attorney, Agent, or Firm*—Frost Brown Todd LLC

(57) **CLAIM**

The ornamental design for a body for hand held machine tool, as shown and described.

DESCRIPTION

FIG. 1 is a perspective view of a body for hand held machine tool showing our new design.

FIG. 2 is a left side elevational view of the body for hand held machine tool shown in FIG. 1.

FIG. 3 is a right side elevational view of the body for hand held machine tool shown in FIG. 1.

FIG. 4 is a top view of the body for hand held machine tool shown in FIG. 1.

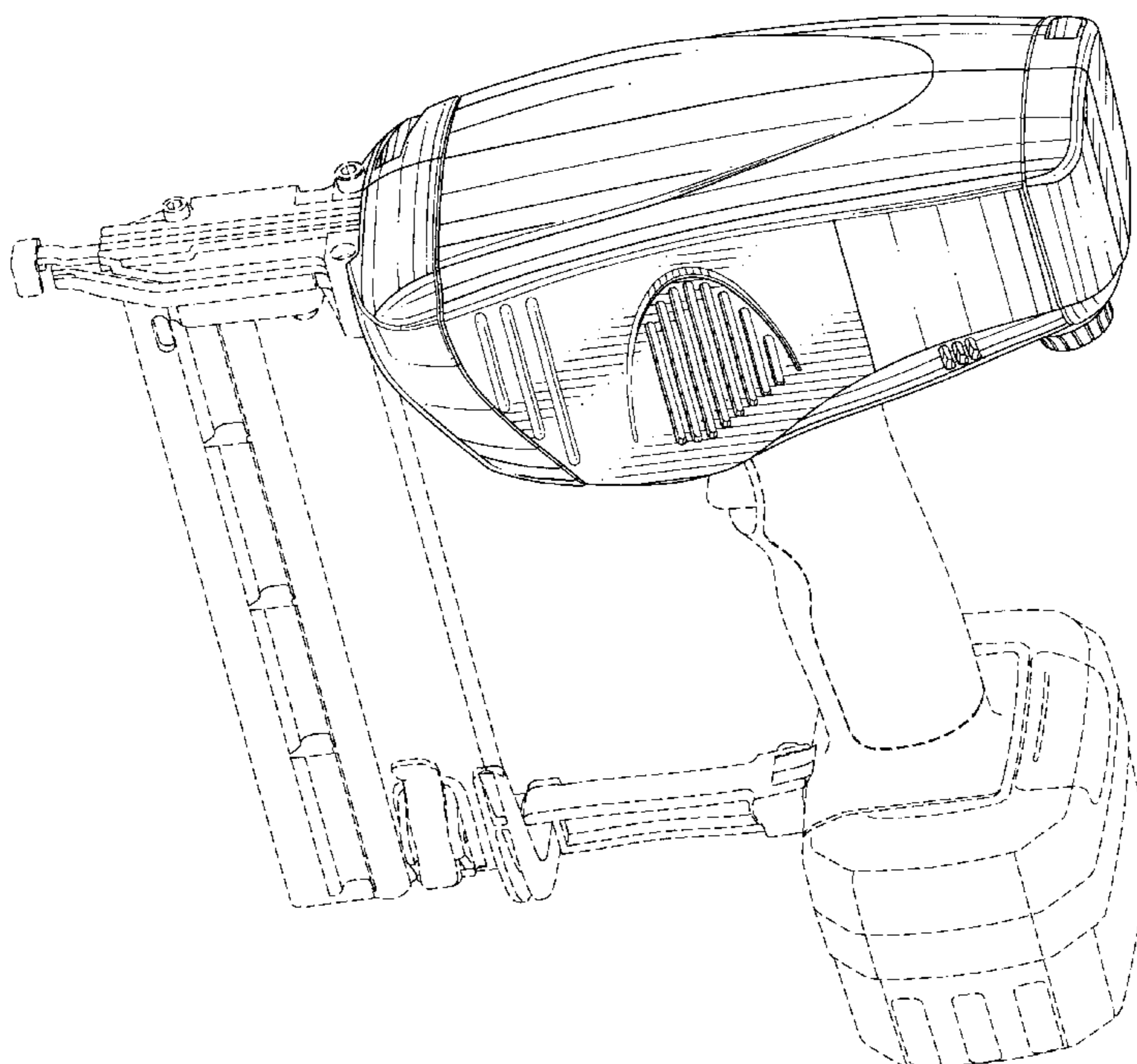
FIG. 5 is a bottom view of the body for hand held machine tool shown in FIG. 1.

FIG. 6 is a rear elevational view of the body for hand held machine tool shown in FIG. 1; and,

FIG. 7 is a front elevational view of the body for hand held machine tool shown in FIG. 1.

The broken lines in the drawings are for illustrative purposes only and form no part of the claimed design.

1 Claim, 5 Drawing Sheets



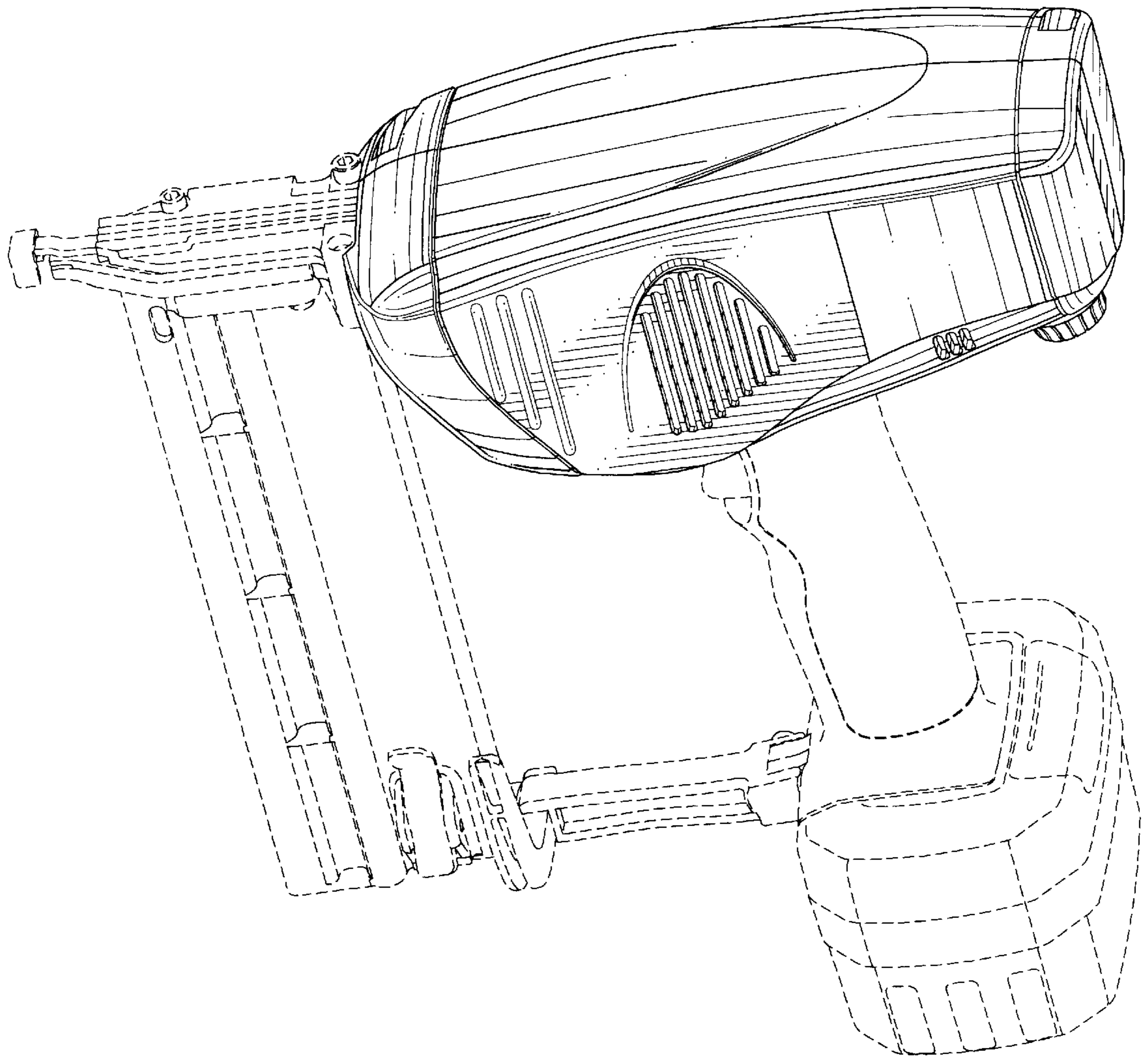


FIG. 1

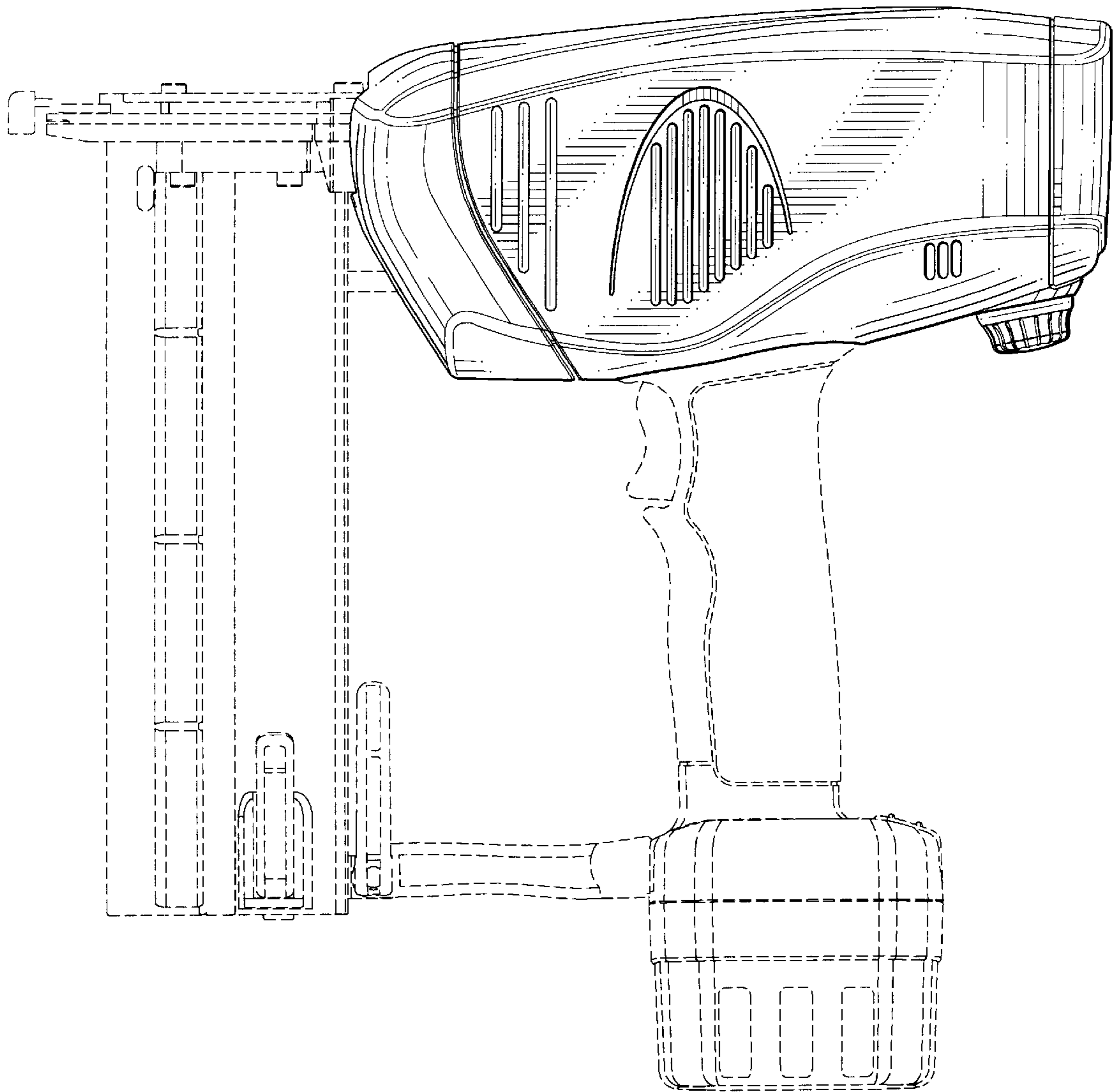


FIG. 2

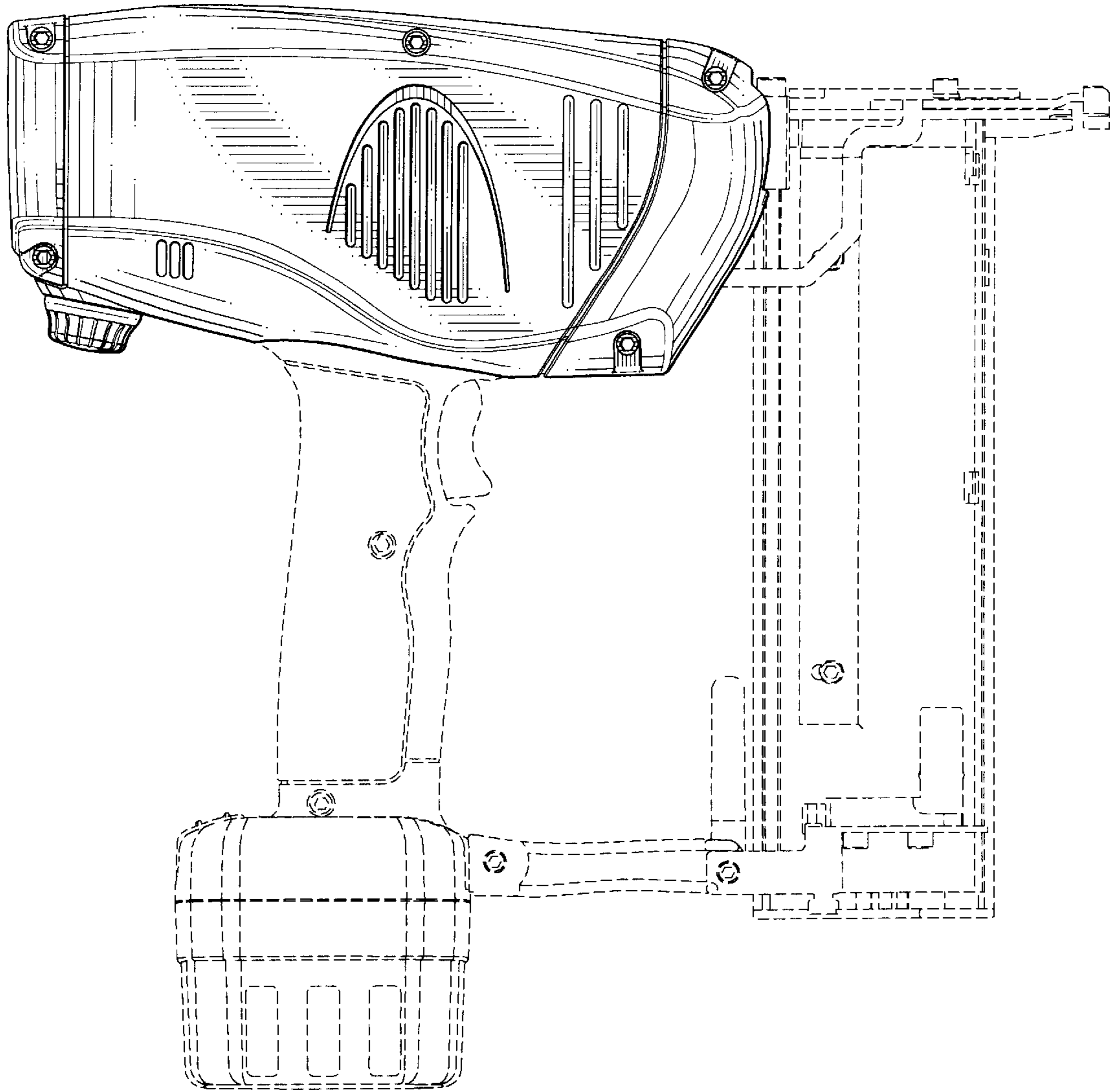


FIG. 3

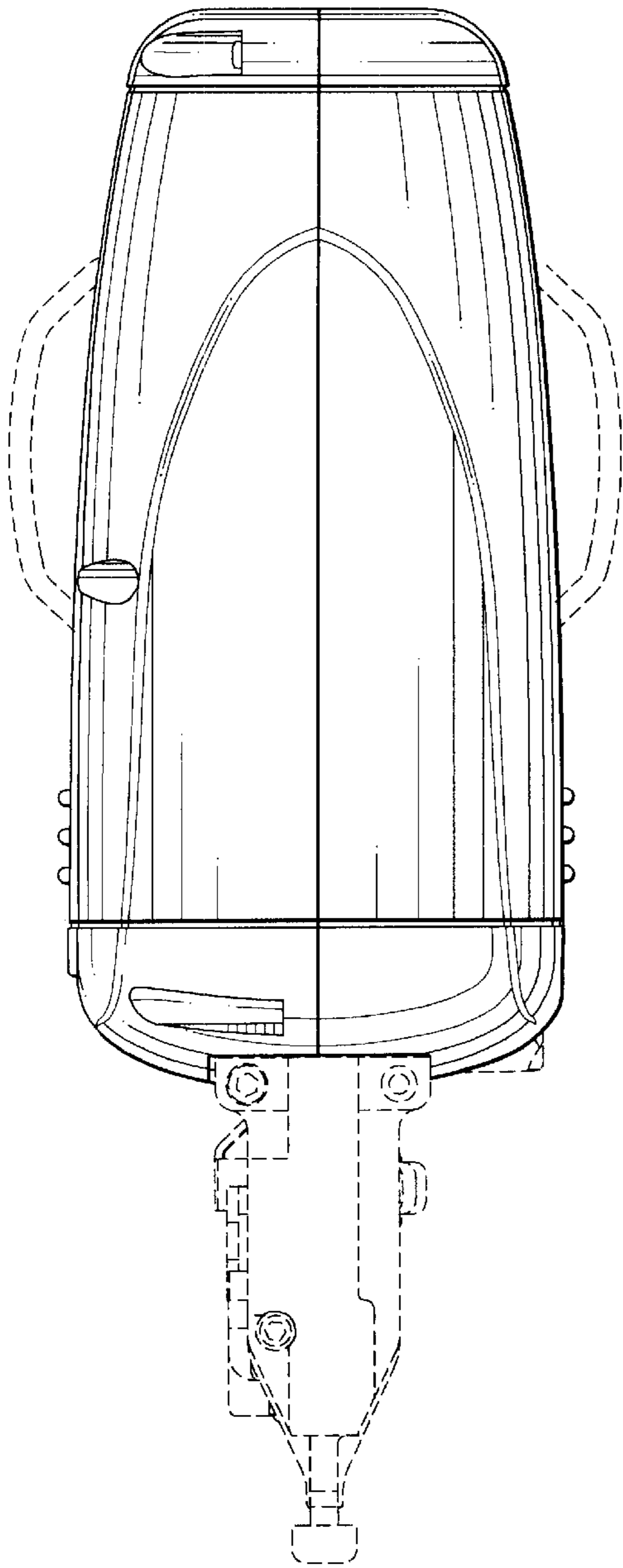


FIG. 4

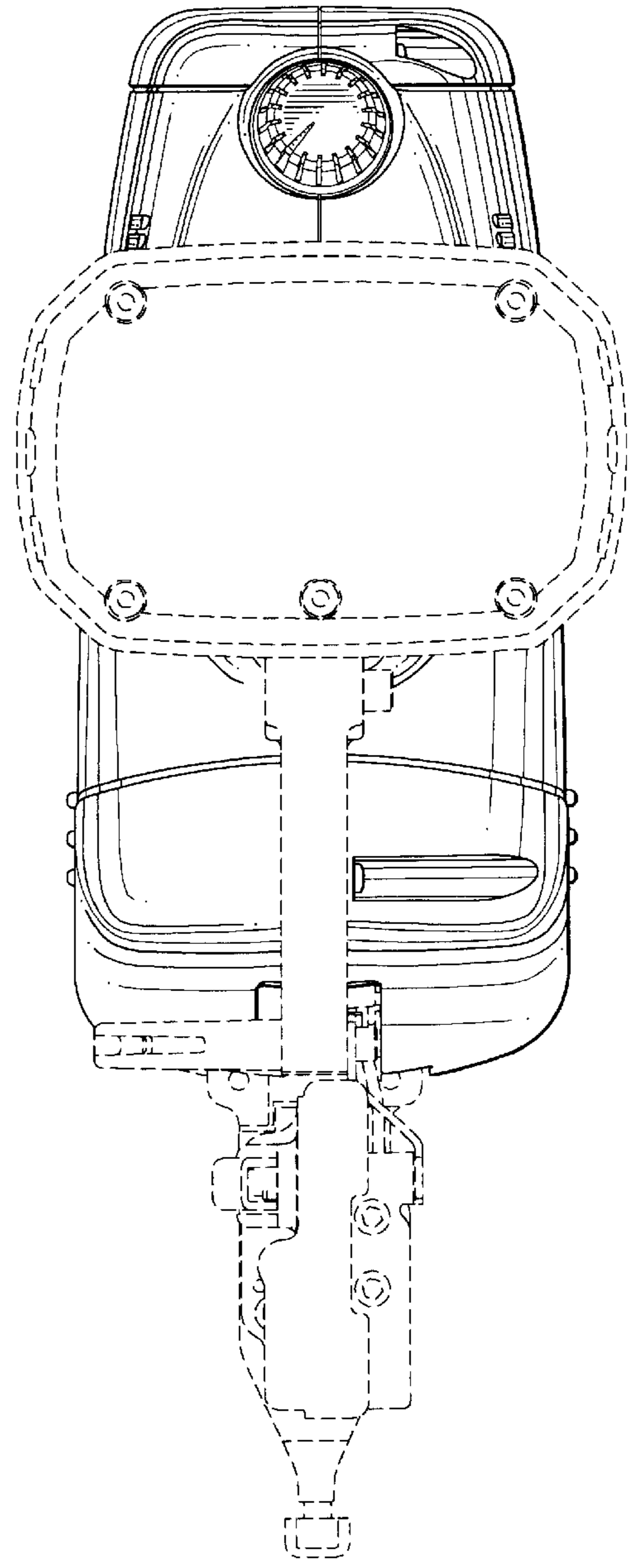


FIG. 5

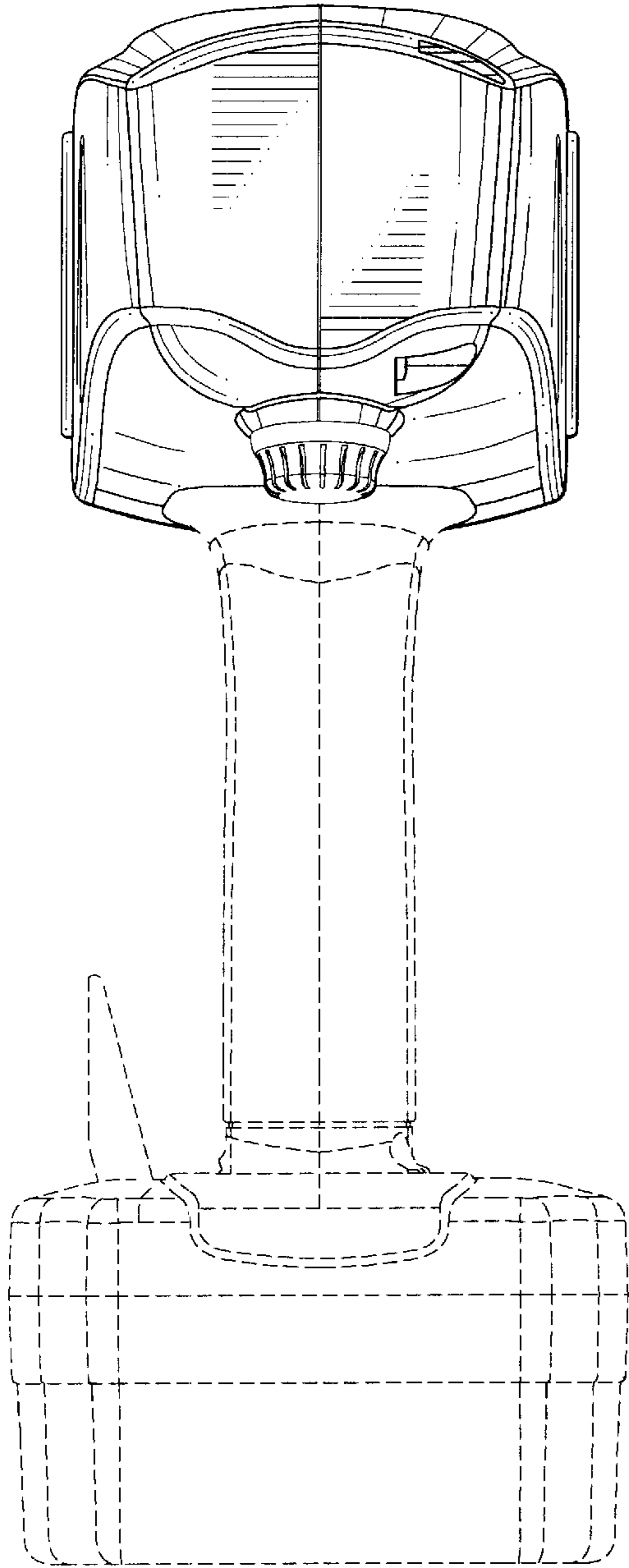


FIG. 6

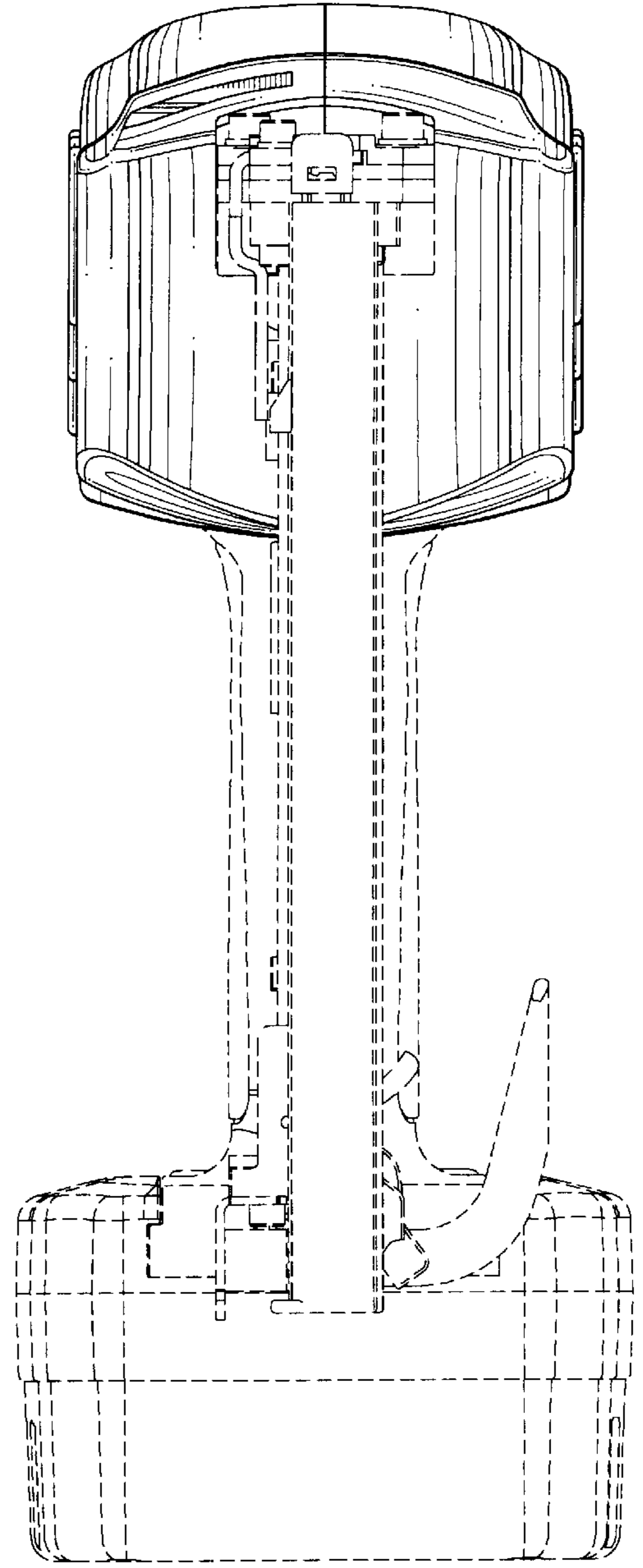


FIG. 7