



US00D471782S

(12) **United States Design Patent**
Keith-Lucas

(10) **Patent No.:** **US D471,782 S**

(45) **Date of Patent:** **** Mar. 18, 2003**

(54) **VARIABLE-ANGLE RECIPROCATING SAW**

(75) Inventor: **Darwin Timothy Keith-Lucas,**
Jackson, TN (US)

(73) Assignee: **Porter-Cable/Delta,** Jackson, TN (US)

(**) Term: **14 Years**

(21) Appl. No.: **29/159,515**

(22) Filed: **Apr. 24, 2002**

(51) **LOC (7) Cl.** **08-03**

(52) **U.S. Cl.** **D8/64; D8/70**

(58) **Field of Search** D8/61, 62, 64,
D8/68, 382, 323; 30/272.1, 374, 375, 376,
377, 388, 392, 394, 500; 173/15, 47, 48,
109, 170, 216, 217; 310/47, 50; 408/241 R,
241 S; D32/25; 81/57.11; 403/402

(56) **References Cited**

U.S. PATENT DOCUMENTS

4,976,173 A	*	12/1990	Yang	310/50
D351,544 S	*	10/1994	Izumisawa	D8/62
5,832,611 A		11/1998	Schmitz		
5,940,977 A		8/1999	Moore, Jr.		
6,102,134 A	*	8/2000	Alsrue	173/217
6,138,364 A		10/2000	Schmitz		
D443,491 S	*	6/2001	Robson	D8/61

OTHER PUBLICATIONS

“New Compact Cordless Sawzall the Hatchet,” from the website <www.mil-electric.com>, printed on Sep. 10, 2001, 2 pages.

“Sawzall—The Hatchet, Built for tight spaces,” “The Hatchet evolution . . . How YOU drive our new tool development,” “How to choose a Sawzall,” “Cut your job down to size with the rightst Sawzall blade!,” Milwaukee Heavy-Duty Club Tool-Gram, No. 3/2001, 4 pages.

* cited by examiner

Primary Examiner—Doris V. Coles

Assistant Examiner—Elizabeth A. Albert

(74) *Attorney, Agent, or Firm*—Hunton & Williams

(57) **CLAIM**

The ornamental design for a variable-angle reciprocating saw, as shown and described.

DESCRIPTION

FIG. 1 is an isometric view of the variable-angle reciprocating saw.

FIG. 2 is another isometric view of the variable-angle reciprocating saw of FIG. 1.

FIG. 3 is a right side view of the variable-angle reciprocating saw of FIG. 1.

FIG. 4 is a left side of the variable-angle reciprocating saw of FIG. 1.

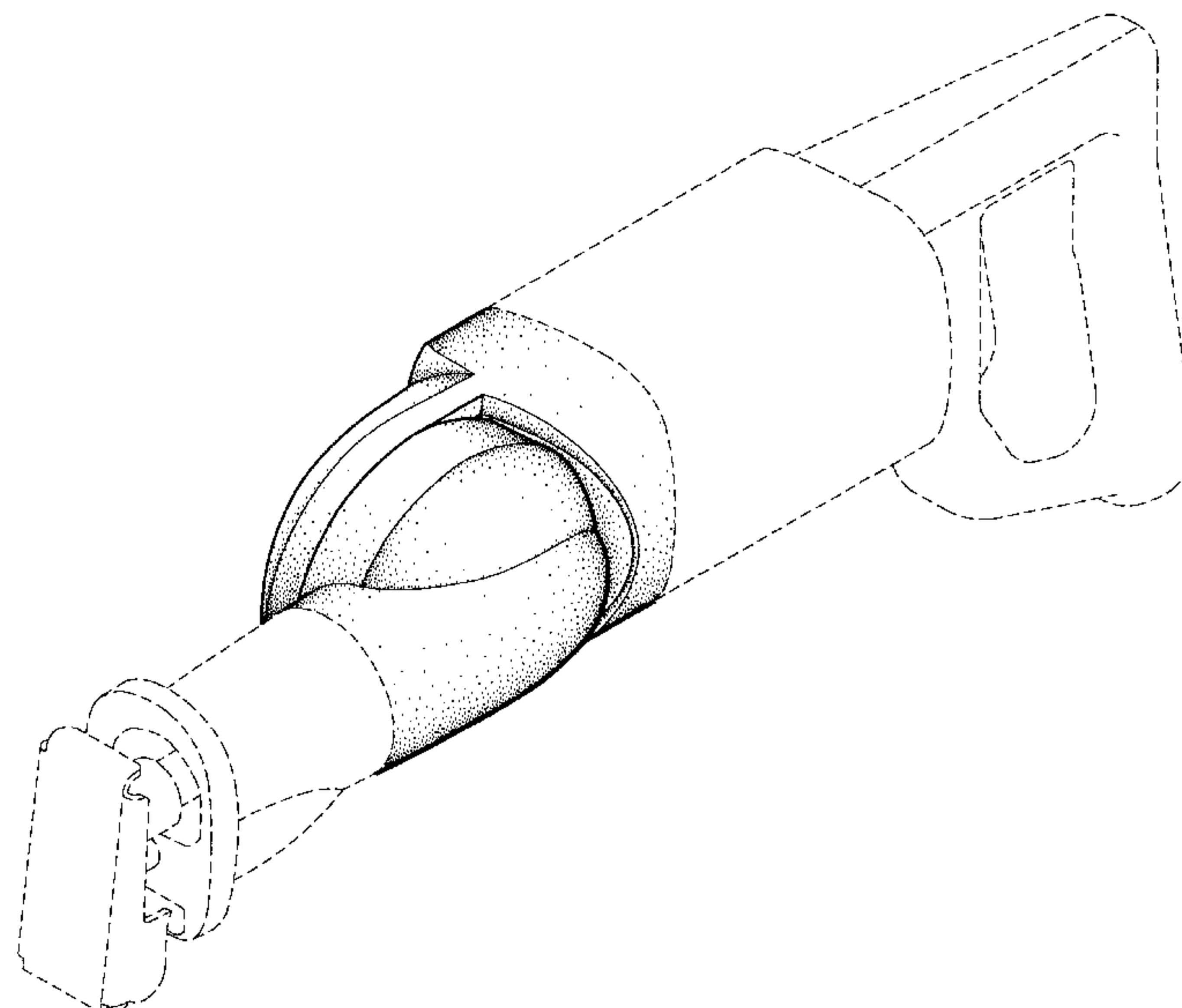
FIG. 5 is a top view of the variable-angle reciprocating saw of FIG. 1.

FIG. 6 is a front view of the variable-angle reciprocating saw of FIG. 1; and,

FIG. 7 is a back view of the variable-angle reciprocating saw of FIG. 1.

A bottom view has not been shown because it is the mirror image of the top view. The environmental structure shown in dotted lines in FIGS. 1–7 is for illustrative purposes only and forms no part of the claimed design.

1 Claim, 5 Drawing Sheets



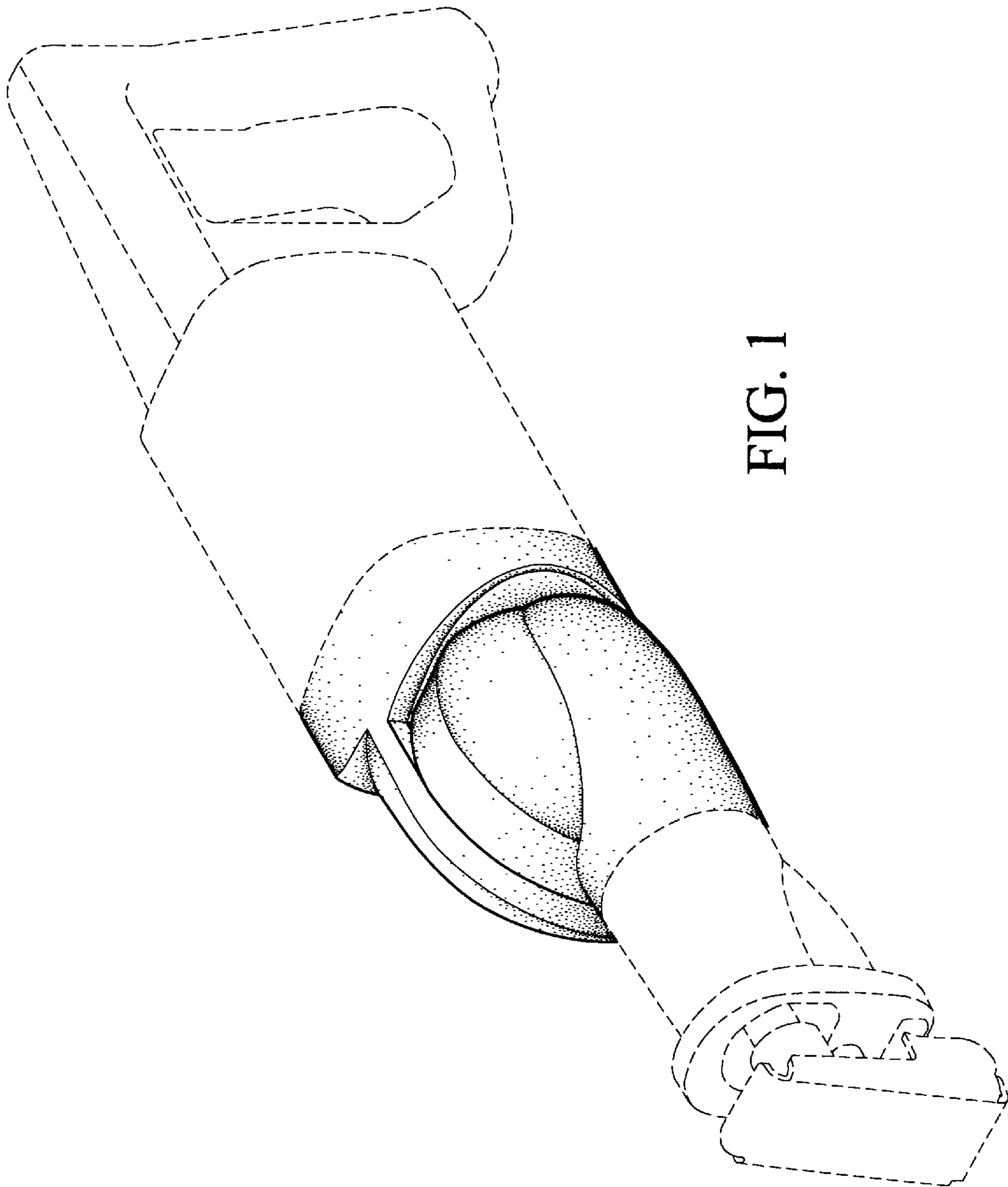


FIG. 1

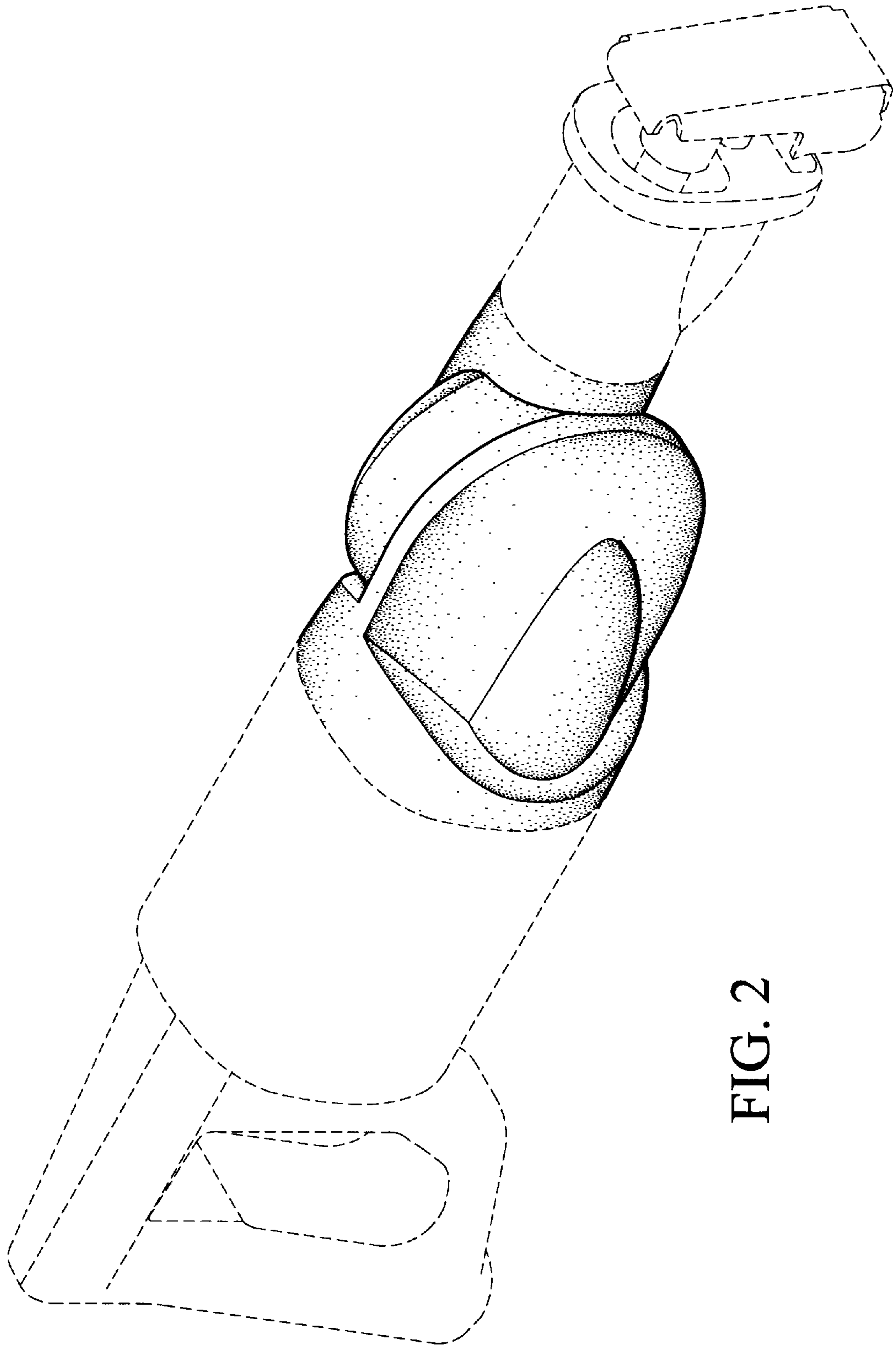


FIG. 2

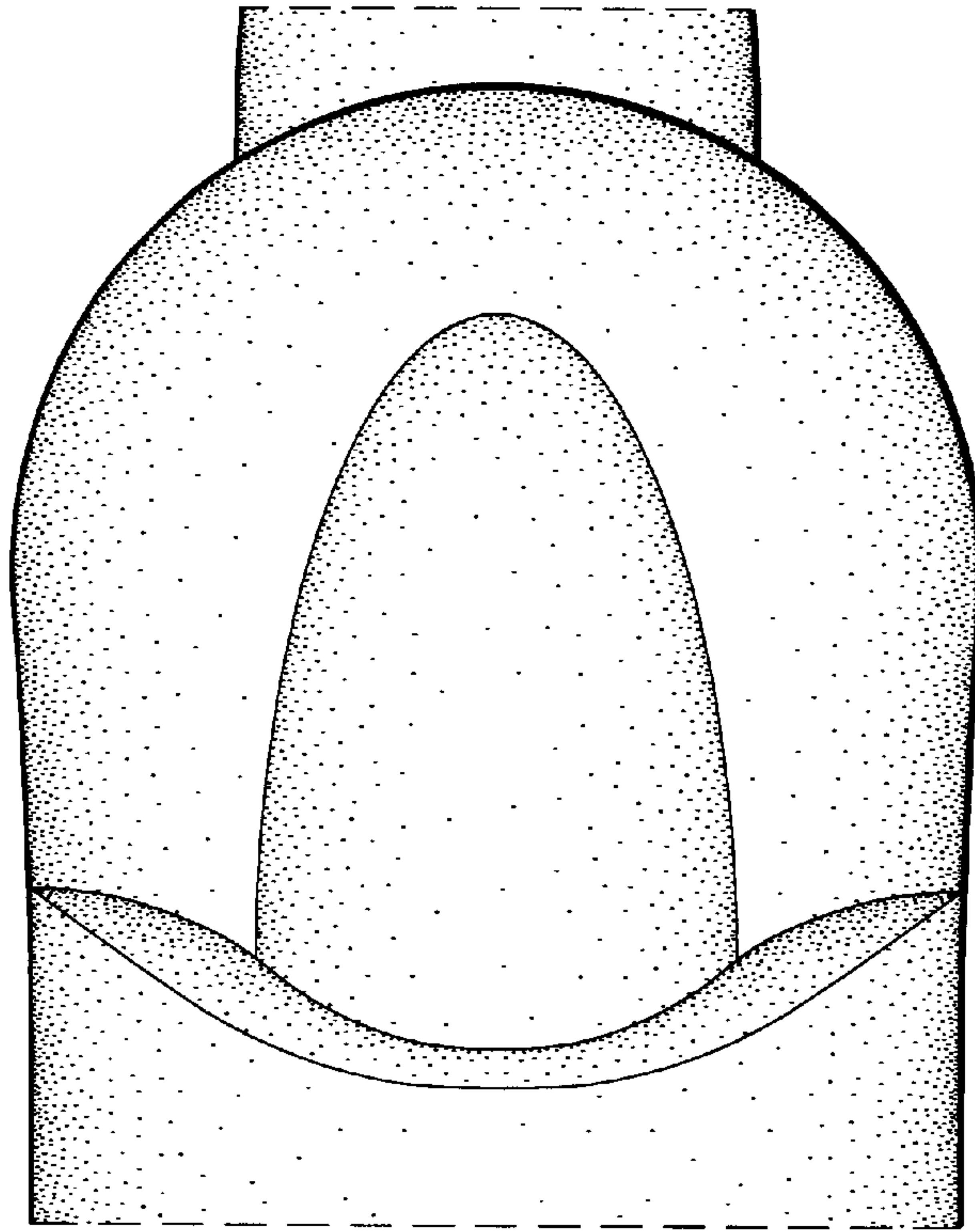


FIG. 4

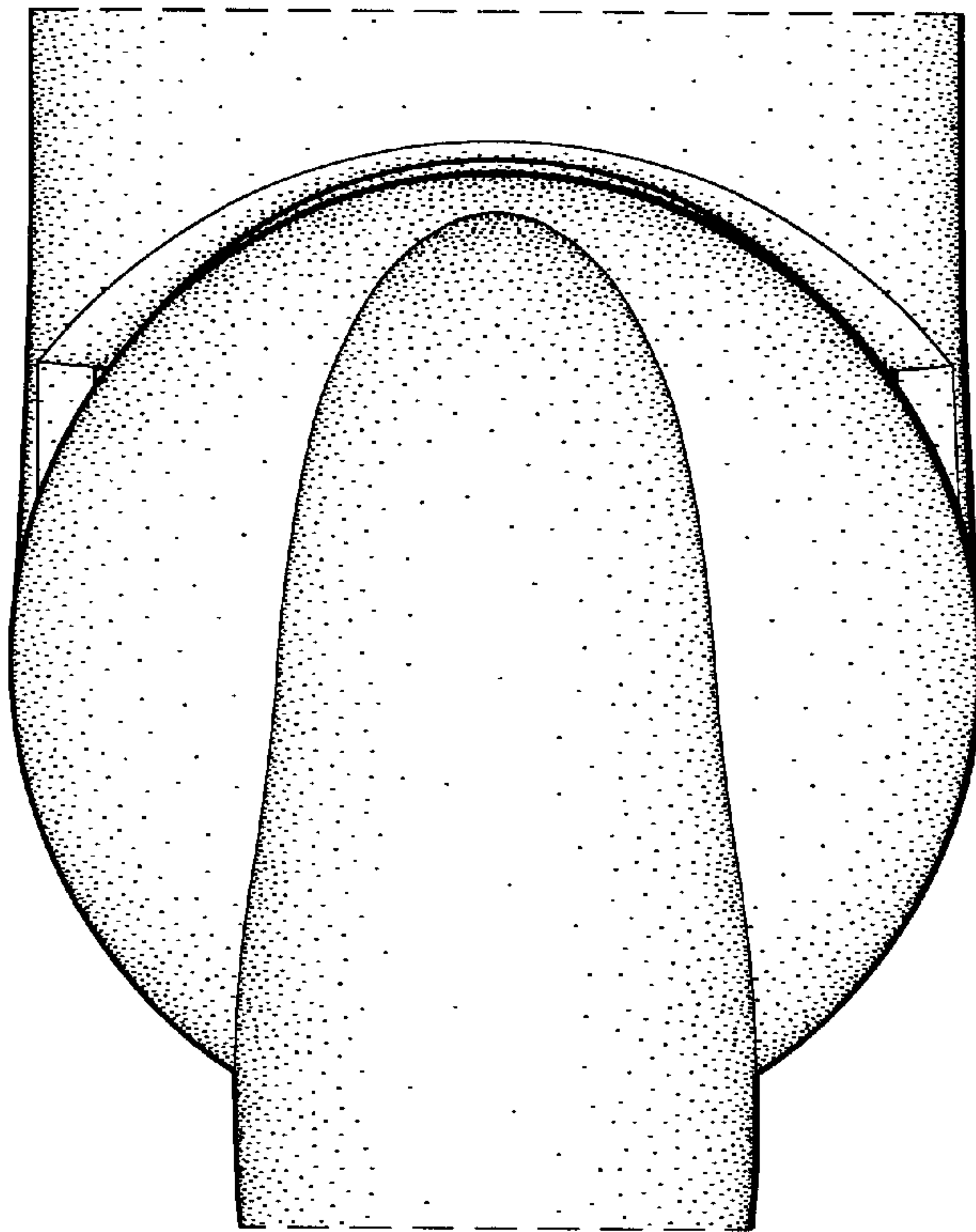


FIG. 3

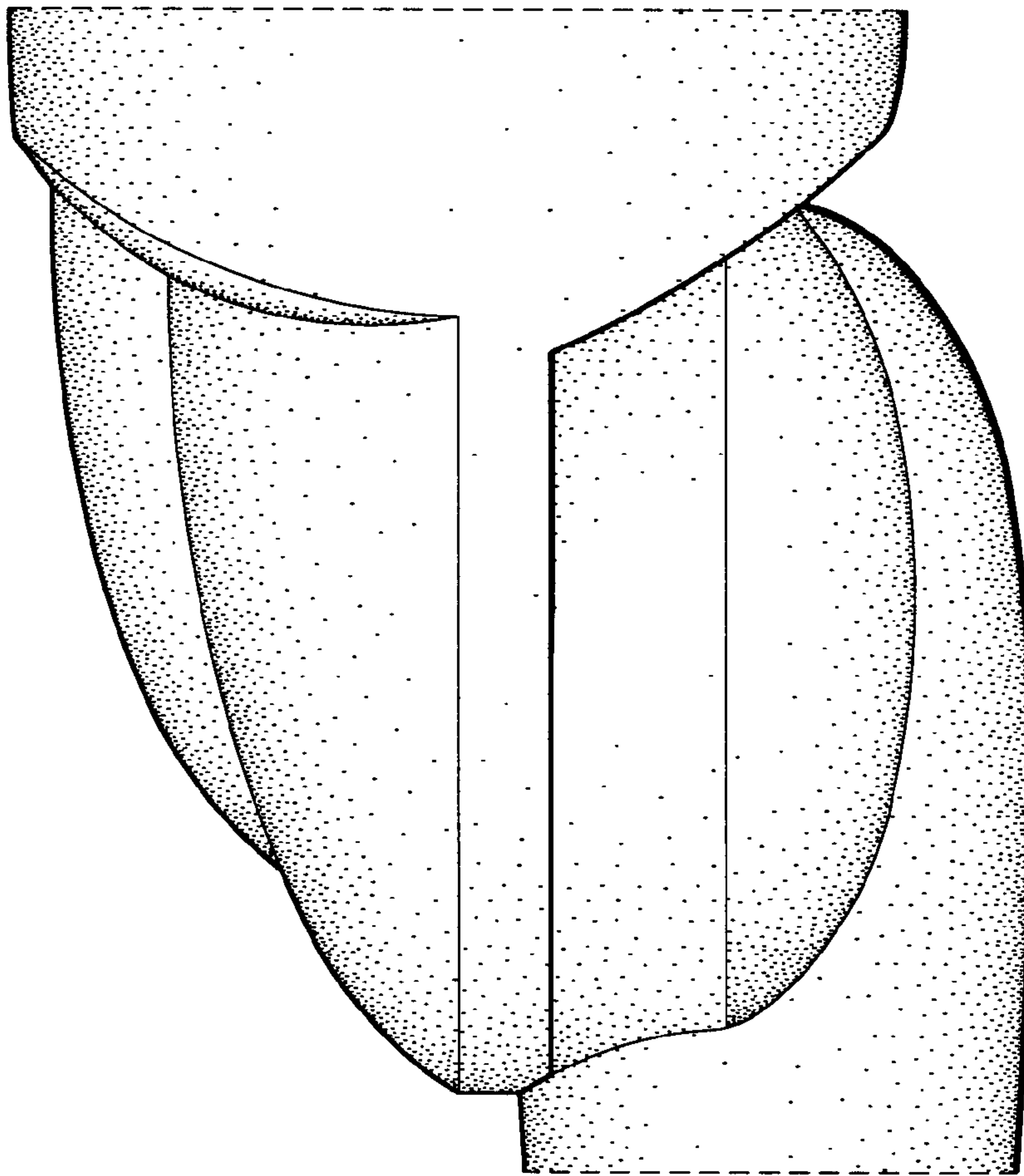


FIG. 5

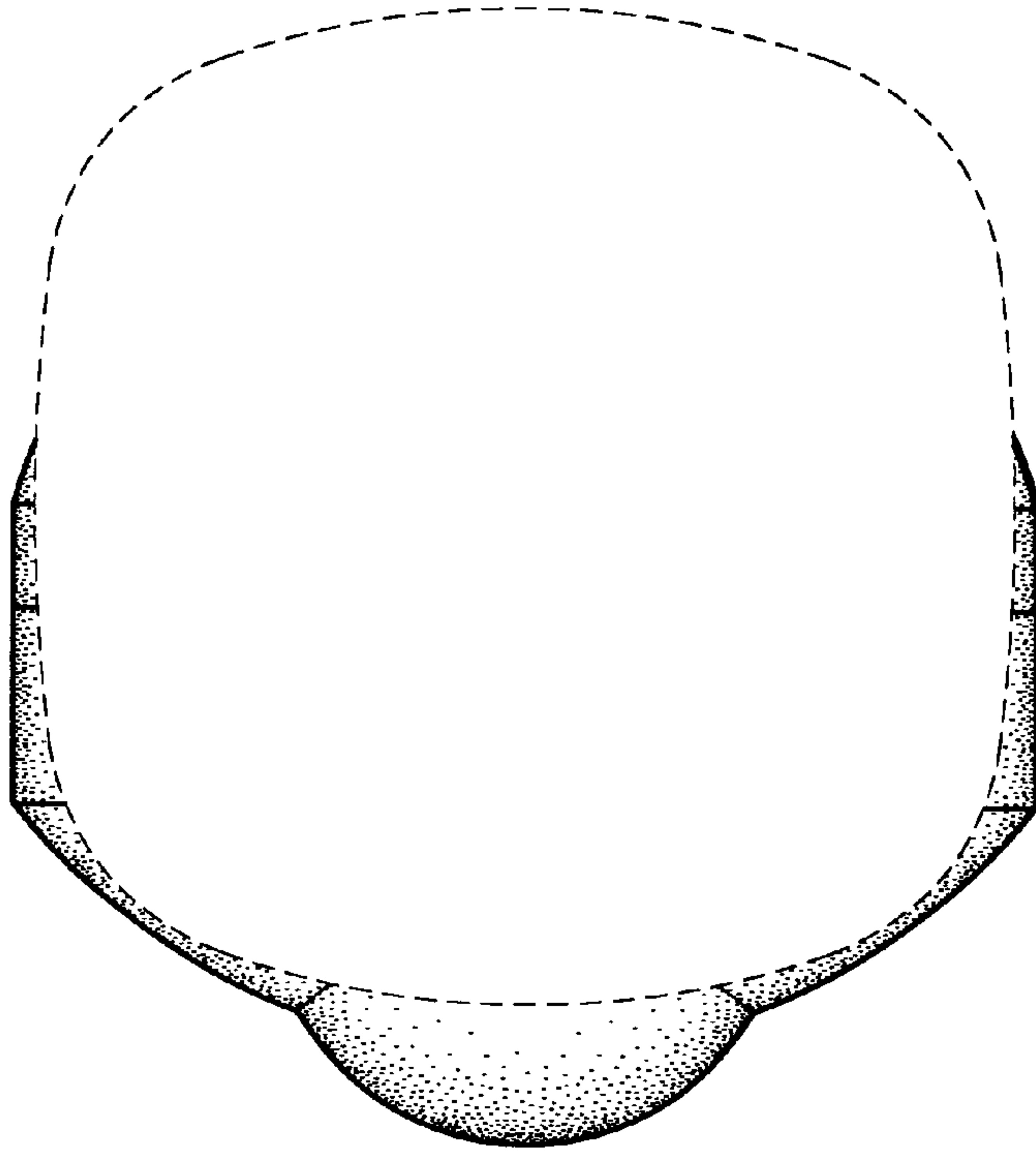


FIG. 7

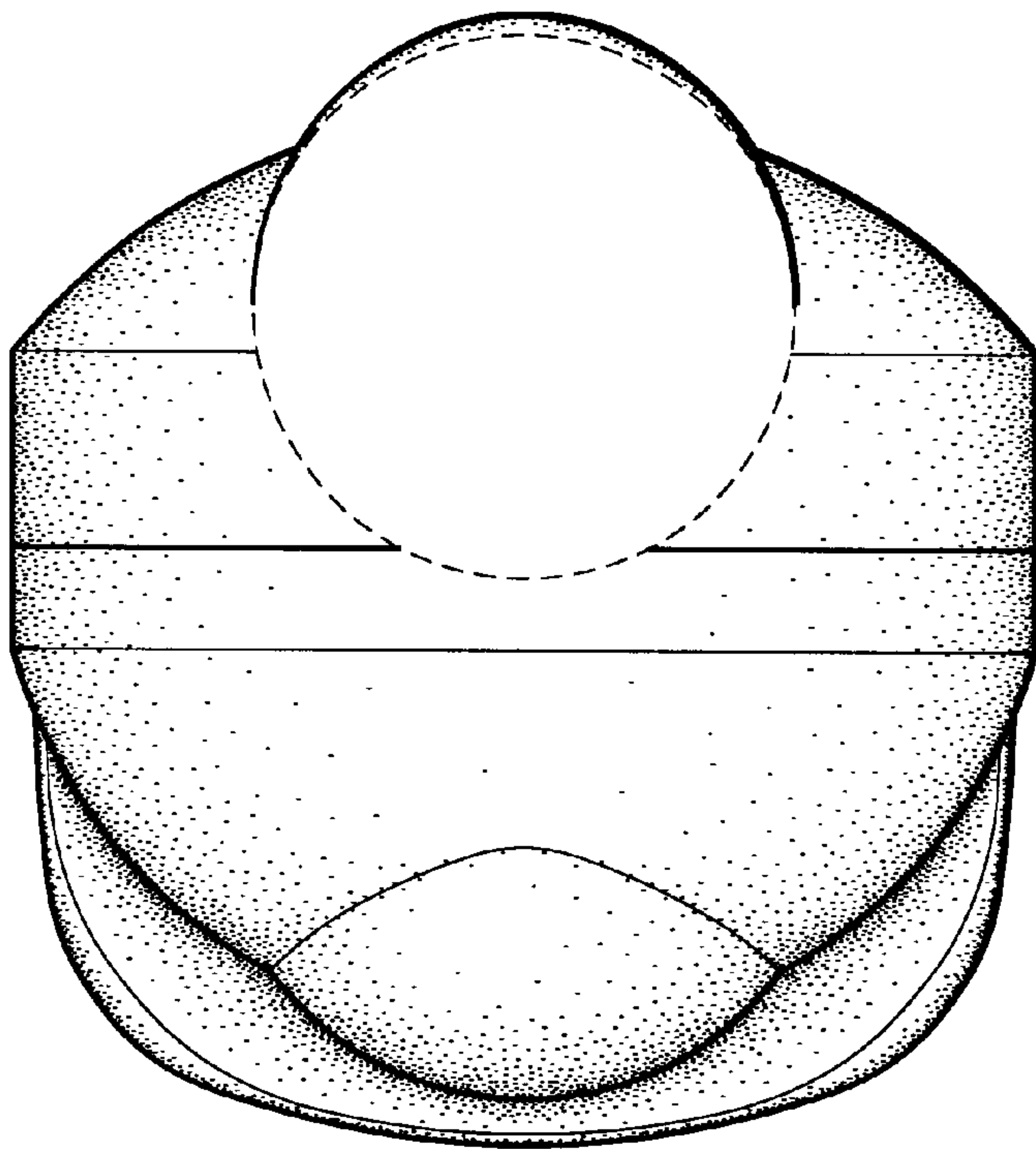


FIG. 6