



US00D471781S

(12) **United States Design Patent**  
**Heun**

(10) **Patent No.:** **US D471,781 S**

(45) **Date of Patent:** **\*\* Mar. 18, 2003**

(54) **ELECTRIC TRIMMER**

D447,030 S \* 8/2001 Chen ..... D8/61

(75) Inventor: **Ping Hay Heun**, Aberdeen (HK)

\* cited by examiner

(73) Assignee: **Choon Nang Electrical Appliance Mfy., Ltd.**, Aberdeen (HK)

*Primary Examiner*—Doris V. Coles

*Assistant Examiner*—Elizabeth Albert

(74) *Attorney, Agent, or Firm*—Leydig, Voit & Mayer, Ltd.

(\*\*) Term: **14 Years**

(57) **CLAIM**

(21) Appl. No.: **29/158,449**

The ornamental design for an electric trimmer, as shown and described.

(22) Filed: **Apr. 5, 2002**

(30) **Foreign Application Priority Data**

**DESCRIPTION**

Jan. 31, 2002 (GB) ..... 3001152

FIG. 1 is a front end, left side and top perspective view of an electric trimmer with the cord broken away for purposes of illustration; showing my new design;

(51) **LOC (7) Cl.** ..... **08-03**

FIG. 2 is a rear end, right side and top perspective view thereof with the cord broken away for purposes of illustration;

(52) **U.S. Cl.** ..... **D8/61**

(58) **Field of Search** ..... D8/61, 62; D15/124; D24/146; 81/54, 57.11, 57.42, 469, 474; 144/136.95, 154.5, 371; 173/168, 169, 170, 171, 216, 217; 310/50; 408/241 R; 409/180, 181, 182, 218; 451/344, 357, 358, 359

FIG. 3 is a left side elevational view thereof with the cord broken away for purposes of illustration;

FIG. 4 is a right side elevational view thereof with the cord broken away for purposes of illustration;

FIG. 5 is top plan view thereof;

FIG. 6 is a bottom plan view thereof;

FIG. 7 is a front end elevational view thereof with the cord broken away for purposes of illustration; and,

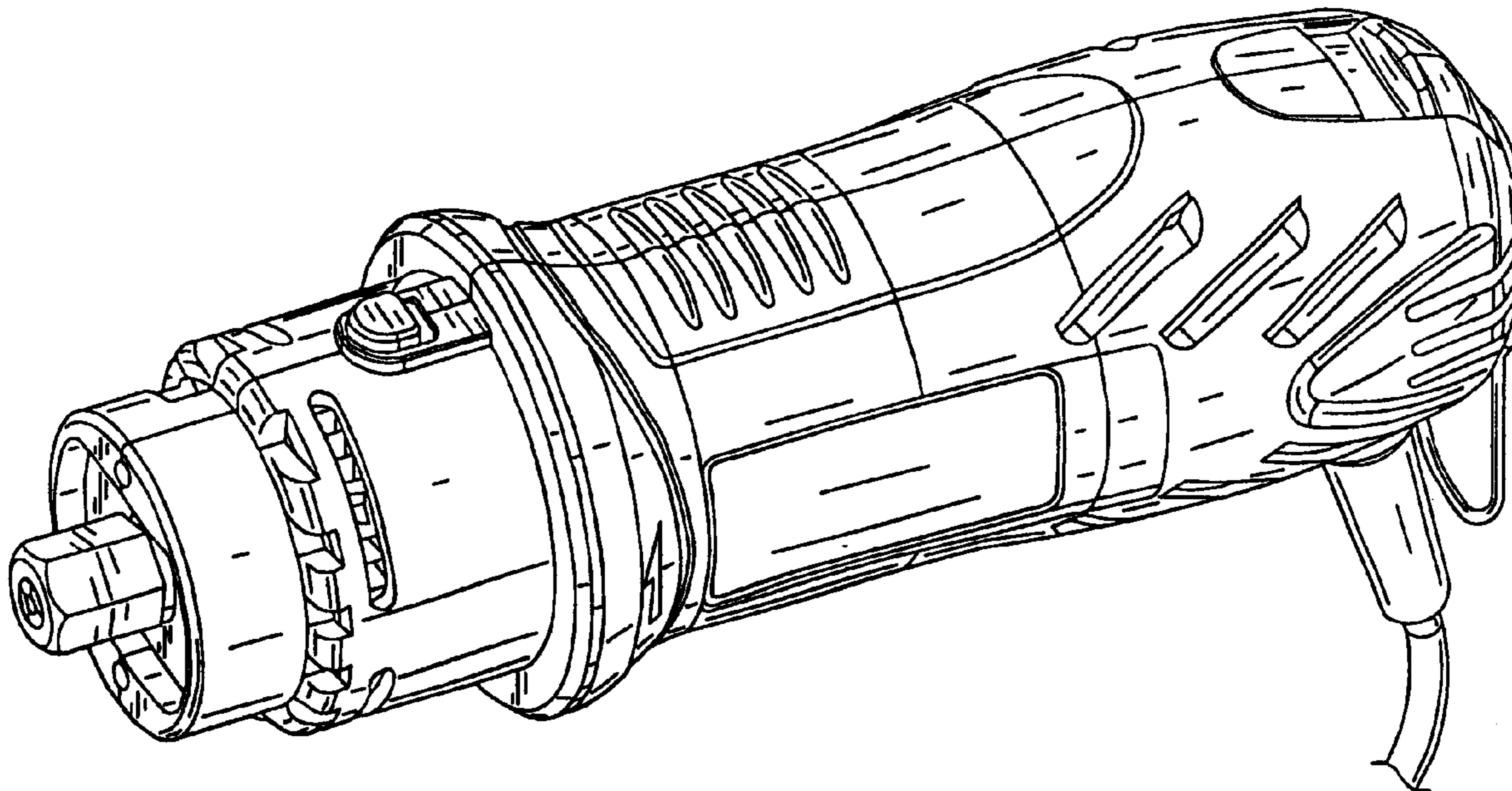
FIG. 8 is a rear end elevational view thereof with the cord broken away for purposes of illustration.

(56) **References Cited**

**U.S. PATENT DOCUMENTS**

D364,790 S \* 12/1995 Duennes ..... D8/61  
D433,905 S \* 11/2000 Cooper ..... D8/61  
D437,757 S \* 2/2001 Thomson et al. .... D8/61  
D439,122 S \* 3/2001 Adler et al. .... D8/61  
D446,100 S \* 8/2001 Heun ..... D8/61

**1 Claim, 5 Drawing Sheets**



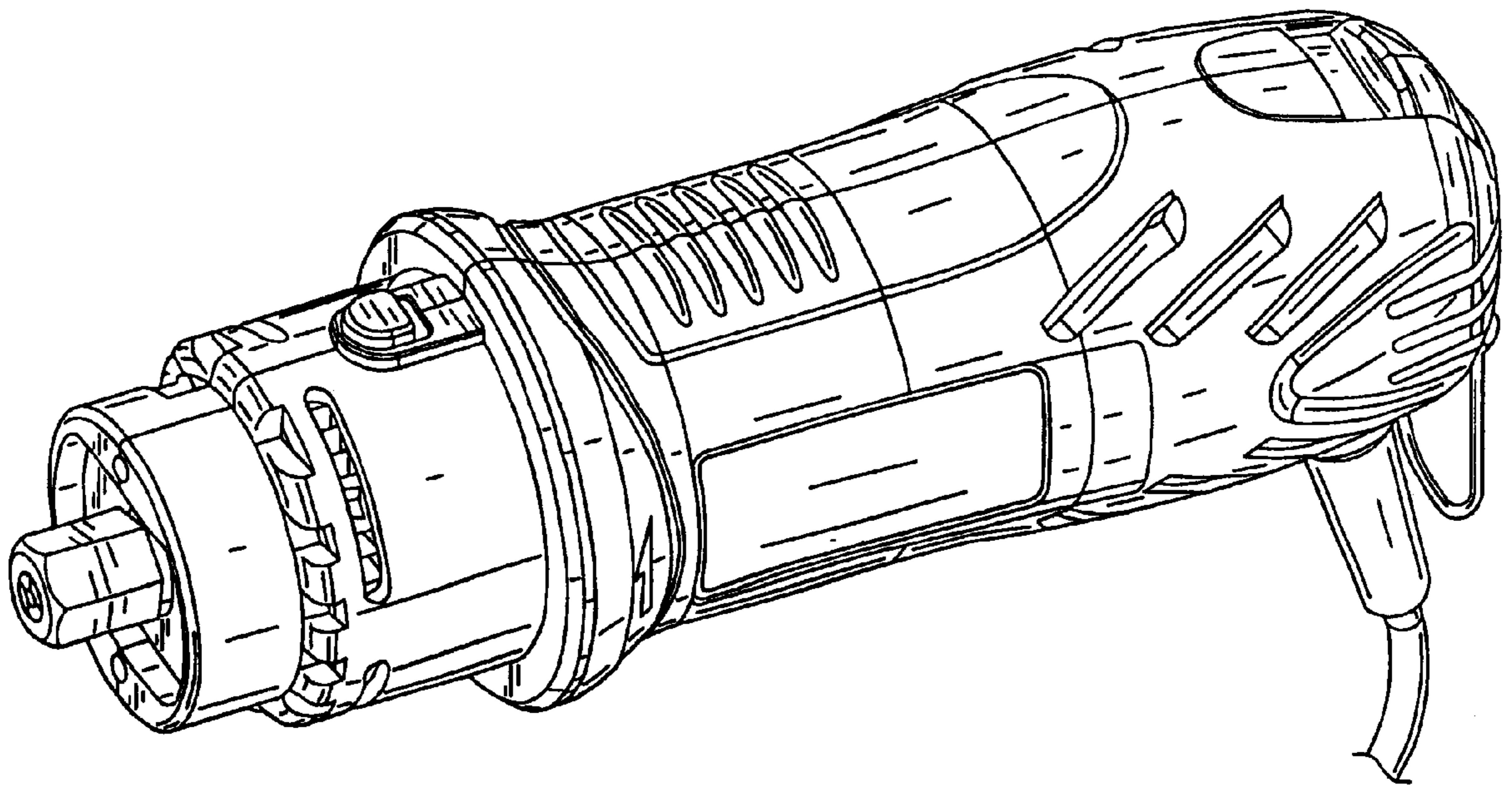


FIG. 1

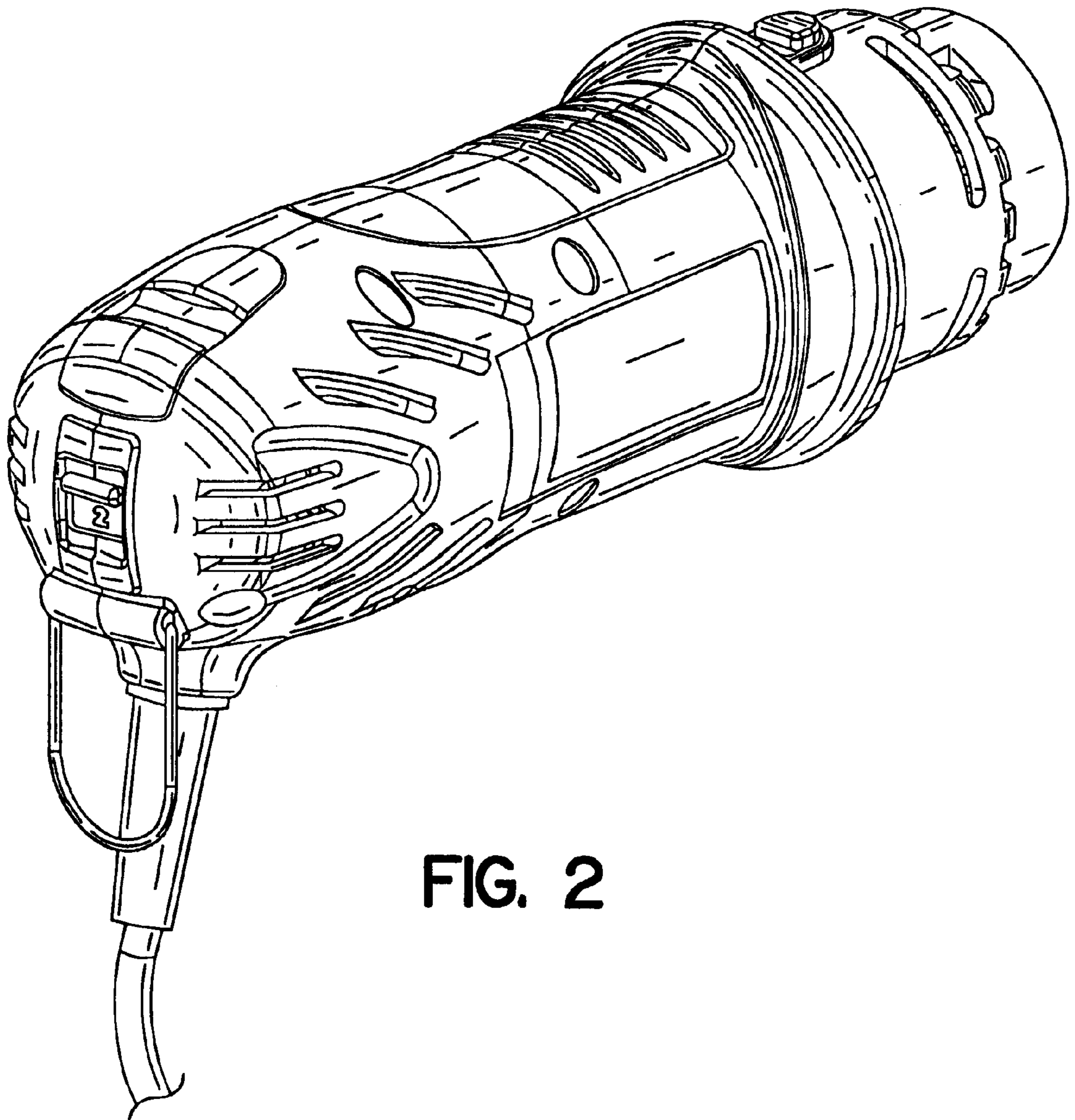


FIG. 2



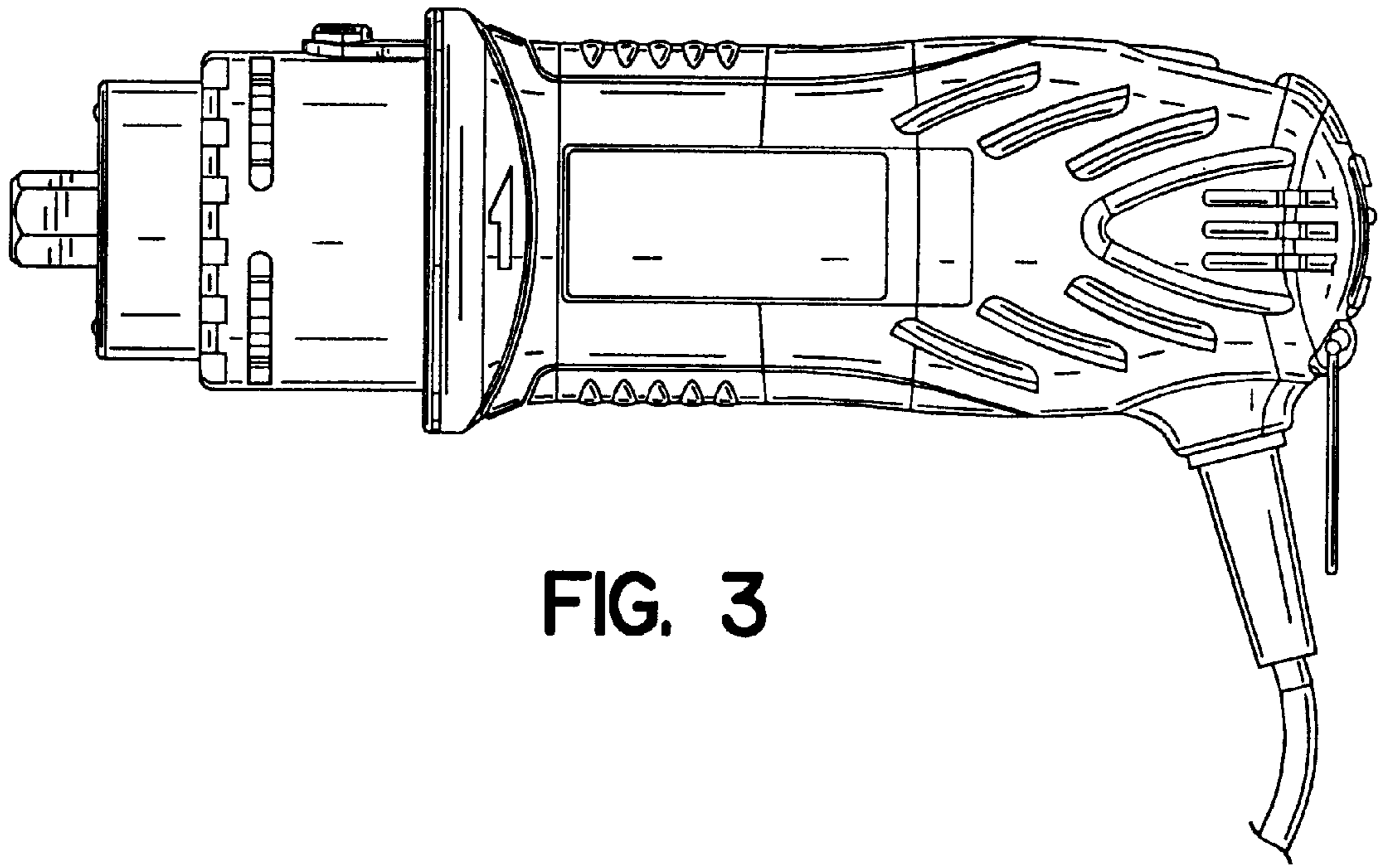


FIG. 3

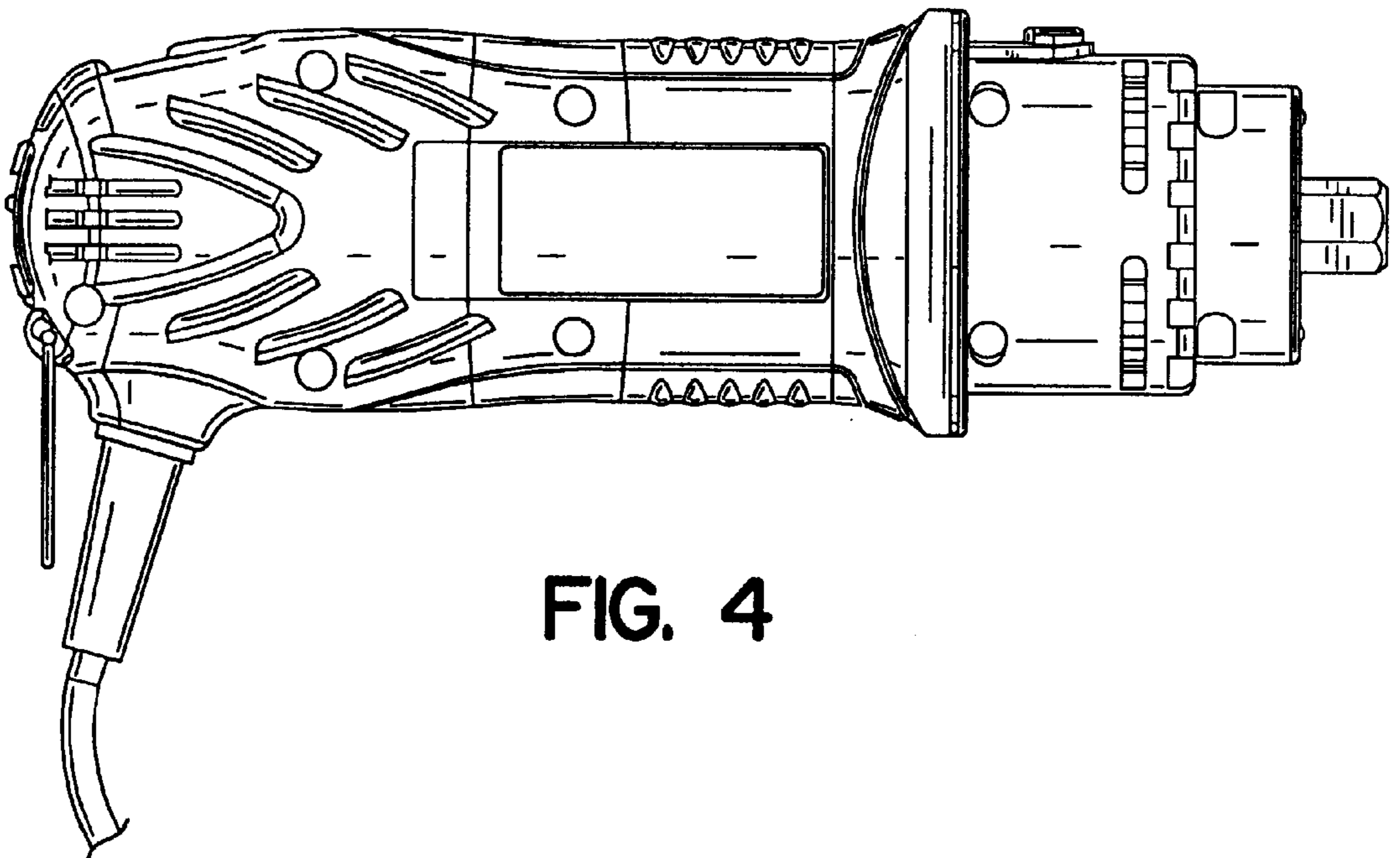


FIG. 4

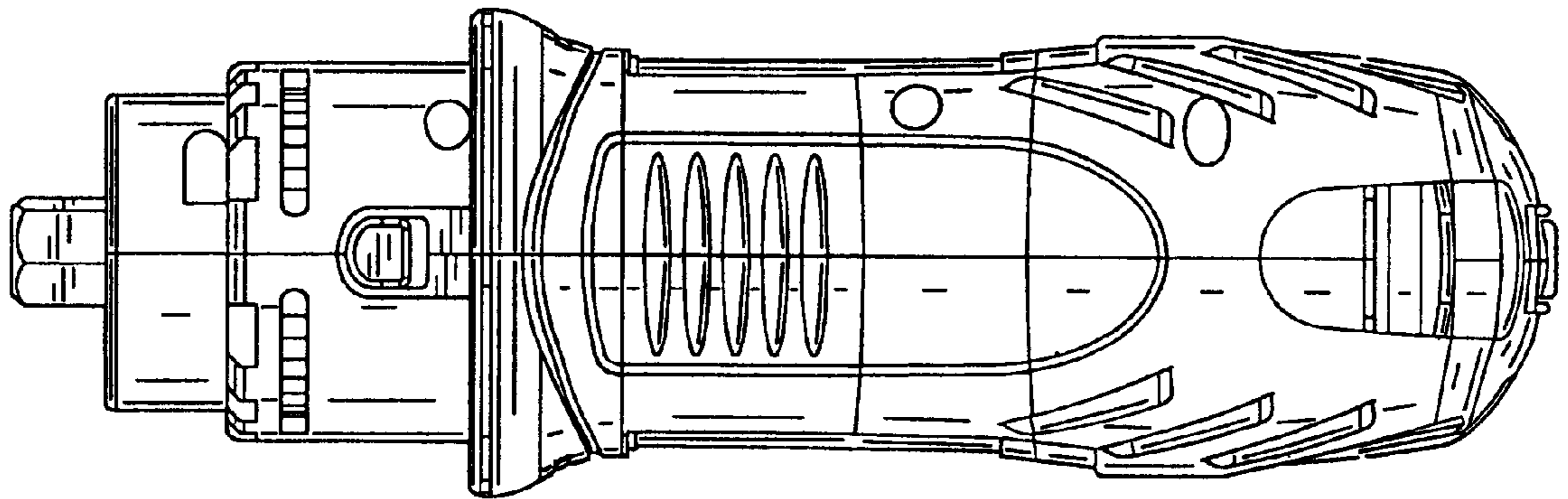


FIG. 5

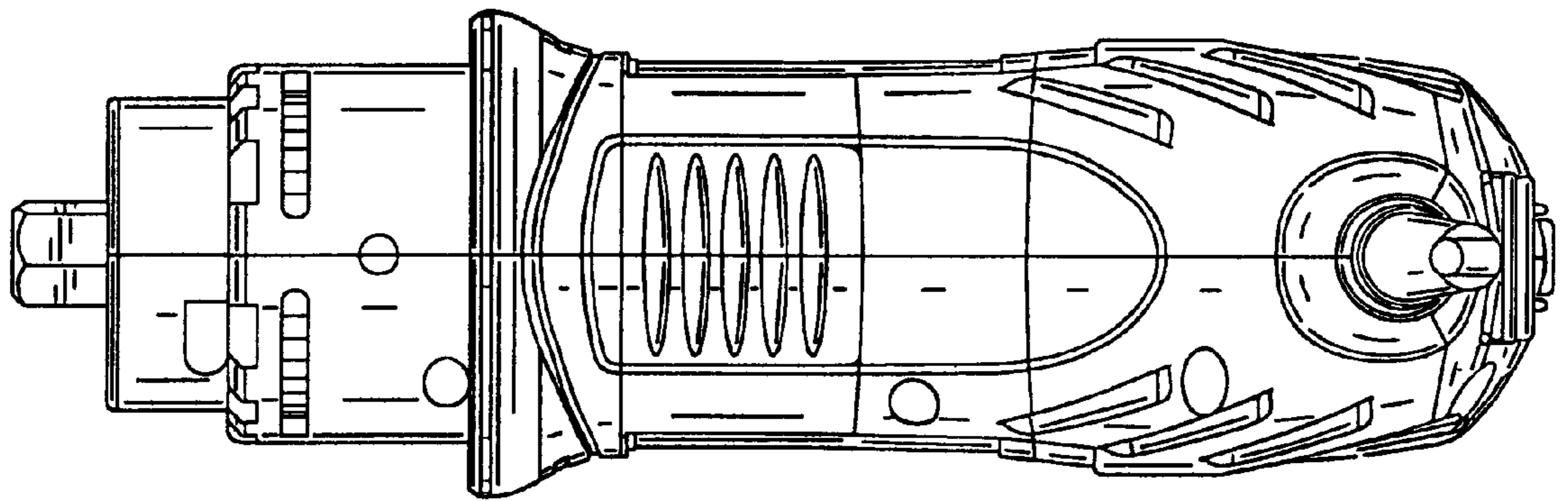


FIG. 6

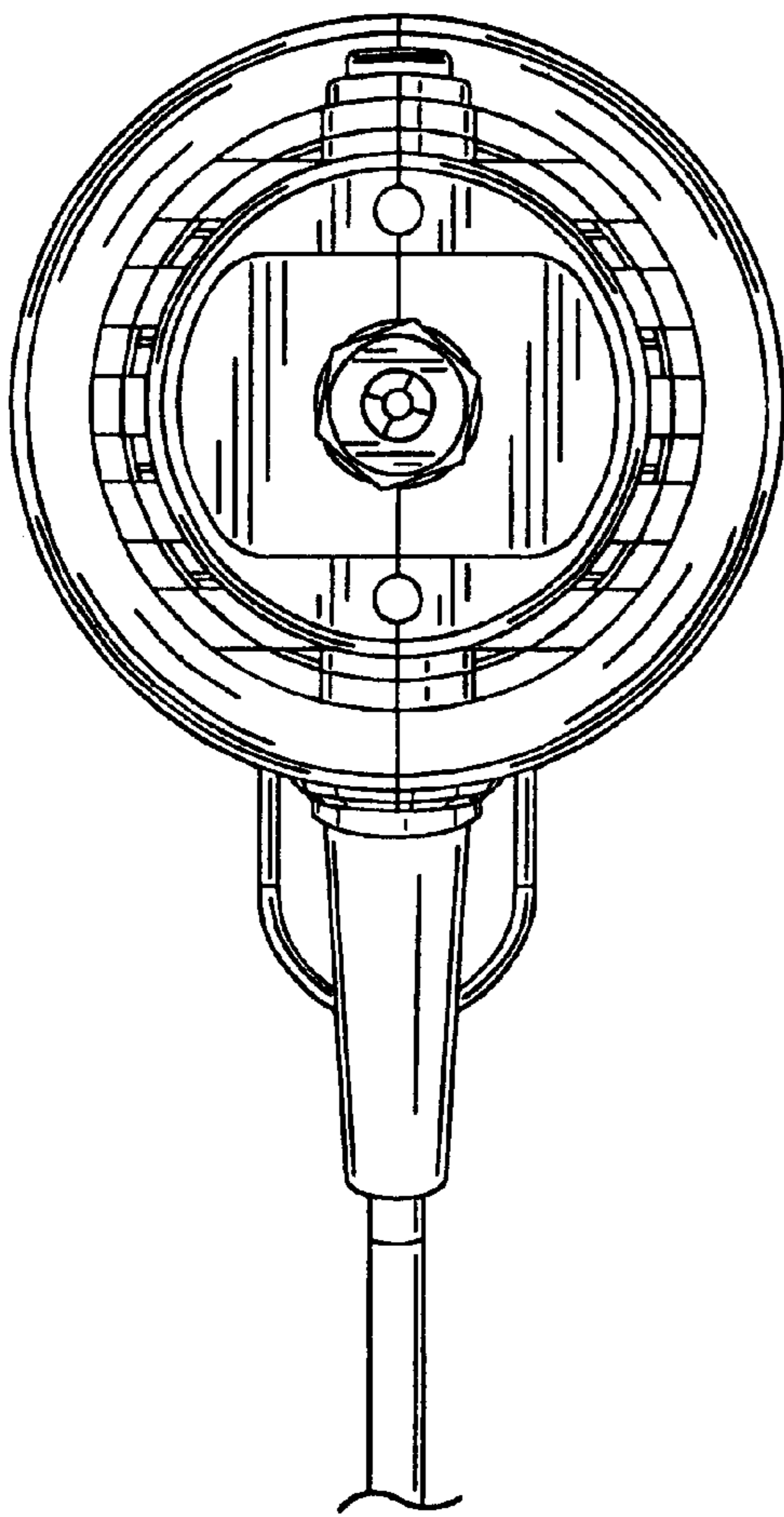


FIG. 7

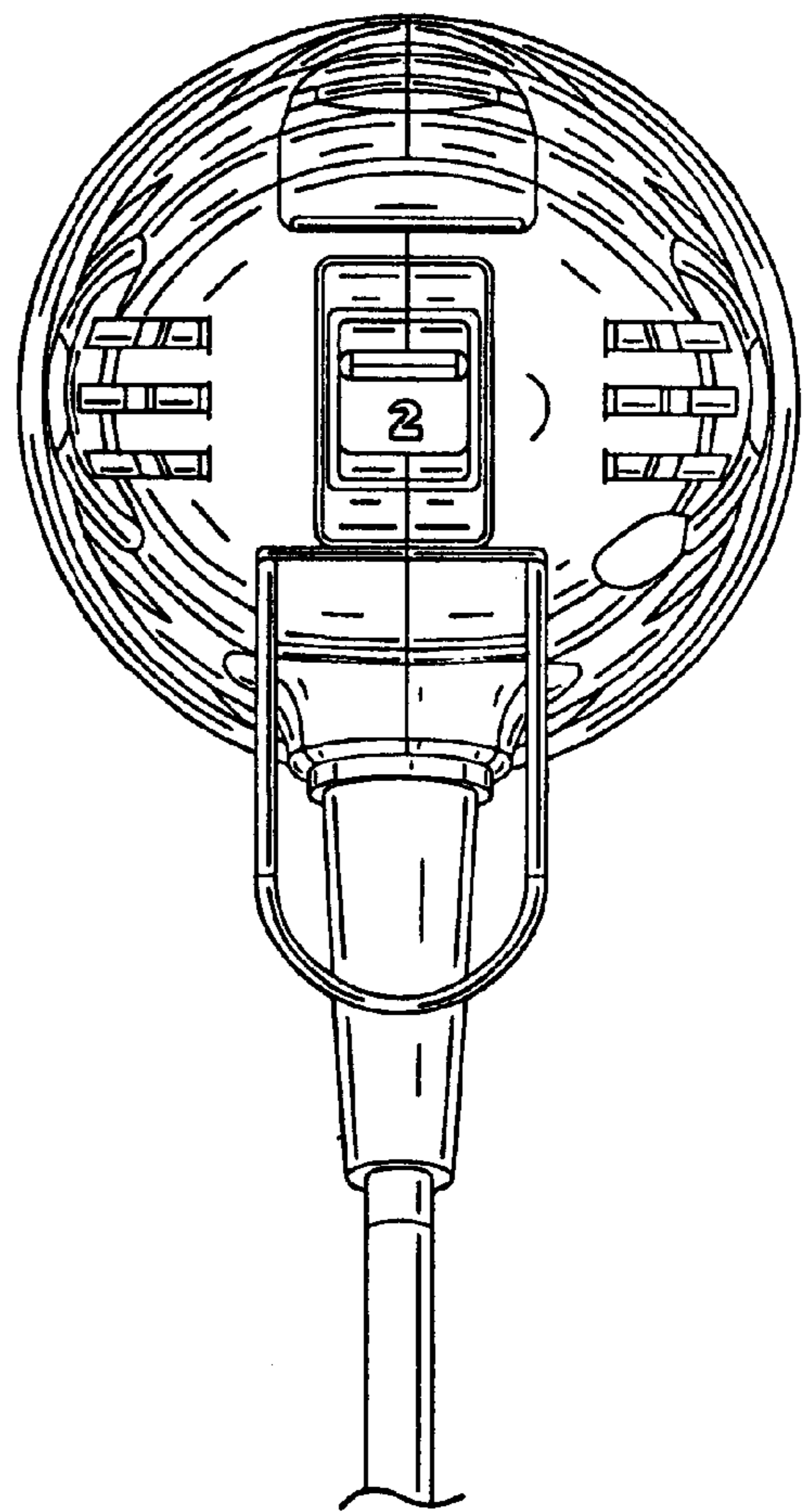


FIG. 8