



US00D471775S

(12) **United States Design Patent**  
**Wang**

(10) **Patent No.:** **US D471,775 S**

(45) **Date of Patent:** **\*\* Mar. 18, 2003**

(54) **RATCHET TOOL DRIVING HEAD**

6,216,567 B1 \* 4/2001 Hu ..... 81/177.6

(76) Inventor: **Gin Din Wang**, P.O. Box 63-99,  
Taichung, 406 (TW)

\* cited by examiner

*Primary Examiner*—Raphael Barkai

(\*\*) Term: **14 Years**

(57) **CLAIM**

(21) Appl. No.: **29/163,604**

The ornamental design for a ratchet tool driving head, as shown and described.

(22) Filed: **Jul. 5, 2002**

**DESCRIPTION**

(51) **LOC (7) Cl.** ..... **08-05**

(52) **U.S. Cl.** ..... **D8/25**

(58) **Field of Search** ..... D8/21–29; 81/60–63,  
81/63.1, 63.2, 177.1, 177.2, 177.6, 177.7,  
436

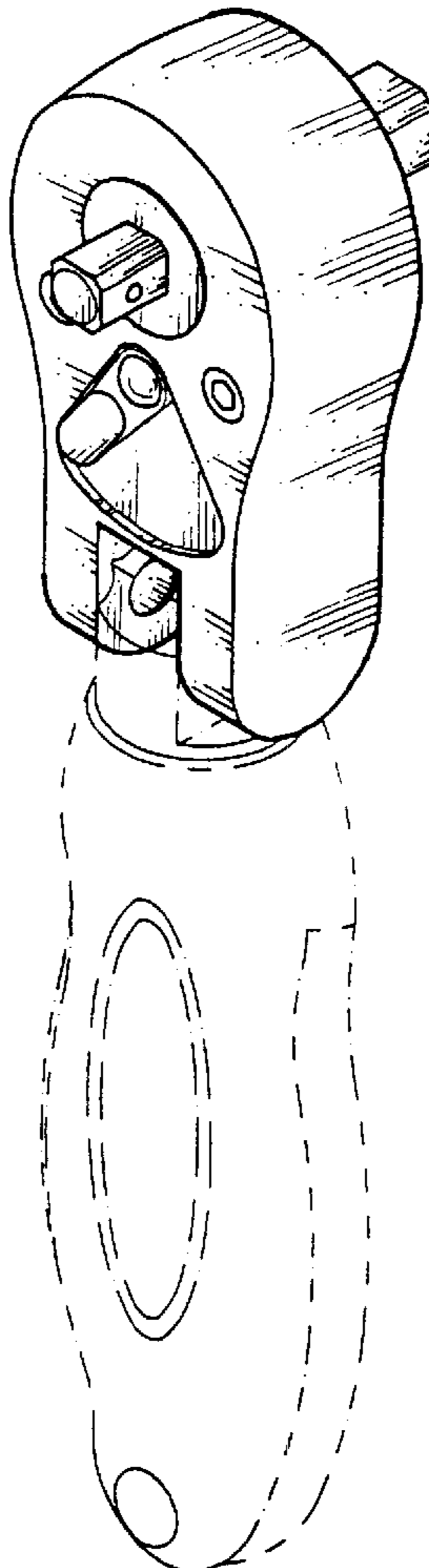
FIG. 1 is a perspective view of a ratchet tool driving head showing my new design;  
FIG. 2 is a front elevational view thereof;  
FIG. 3 is a rear elevational view thereof;  
FIG. 4 is a top plan view thereof;  
FIG. 5 is a bottom plan view thereof;  
FIG. 6 is a left side elevational view thereof;  
FIG. 7 is a right side elevational view thereof; and,  
FIG. 8 is a perspective view thereof, the tool handle depicted by means of broken lines being for illustrative purposes only and forming no part of the claimed design.

(56) **References Cited**

**U.S. PATENT DOCUMENTS**

D270,227 S	*	8/1983	Roth	.....	D8/25
4,586,406 A	*	5/1986	Howard	.....	81/177.2
5,199,335 A	*	4/1993	Arnold et al.	.....	81/177.7
6,003,413 A	*	12/1999	Macor	.....	81/60
D419,837 S	*	1/2000	Knox et al.	.....	D8/25

**1 Claim, 3 Drawing Sheets**



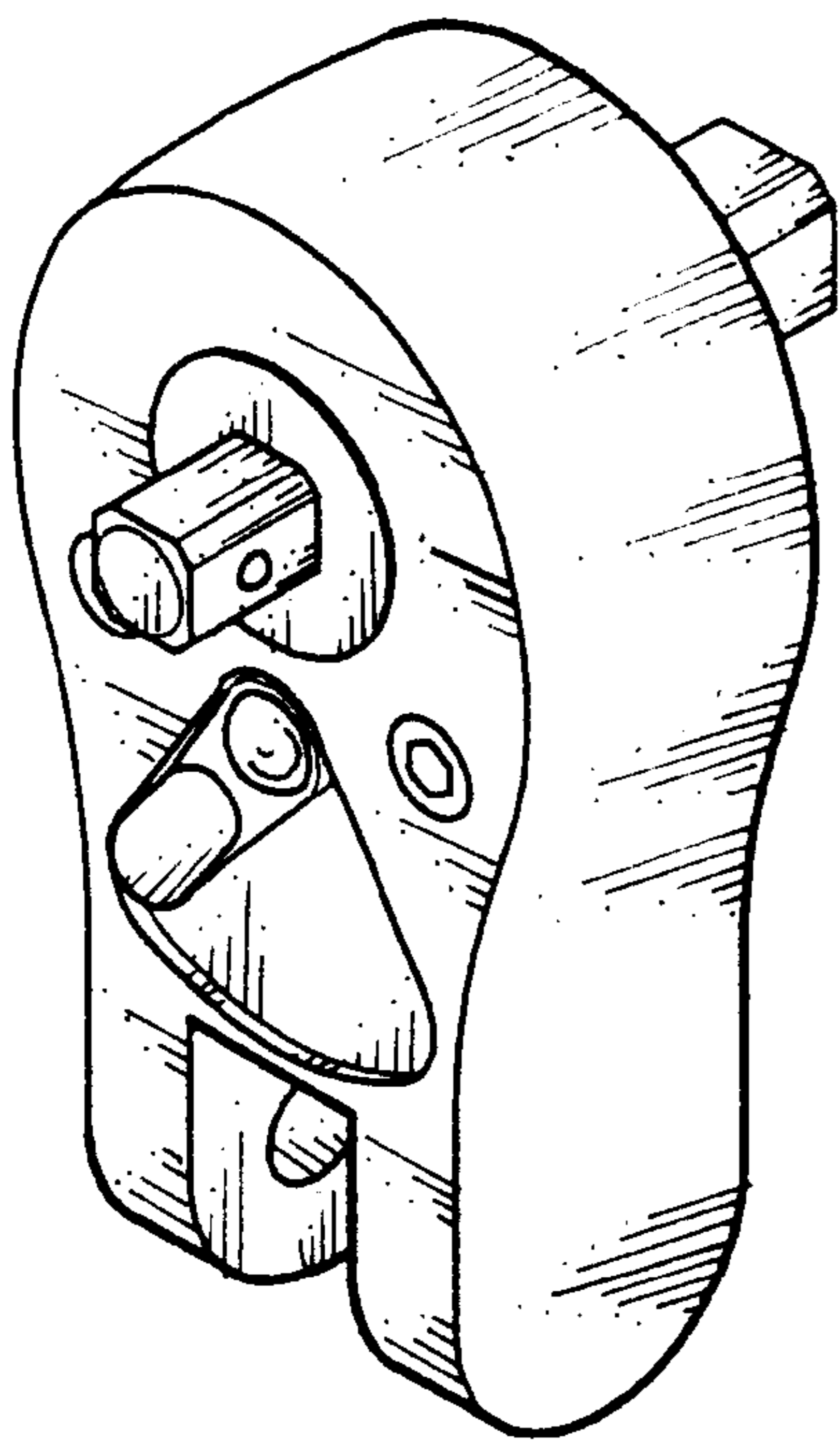


FIG. 1

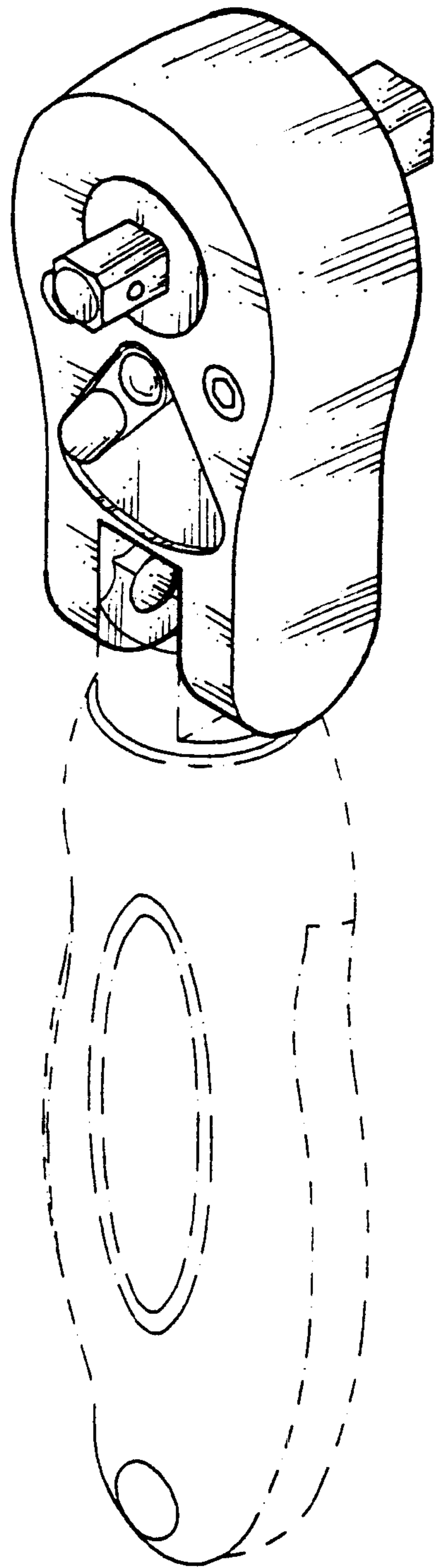


FIG. 8

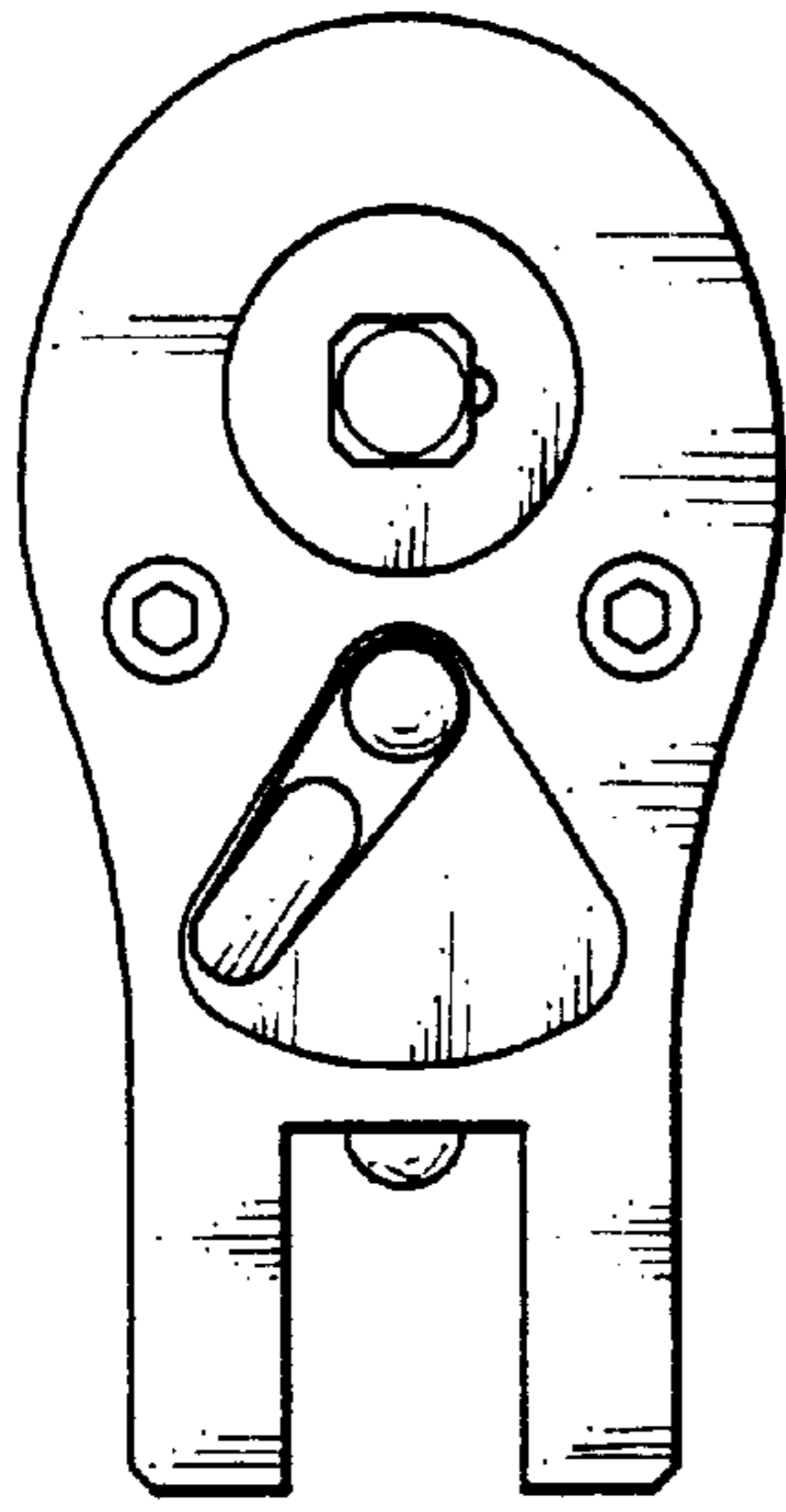


FIG. 2

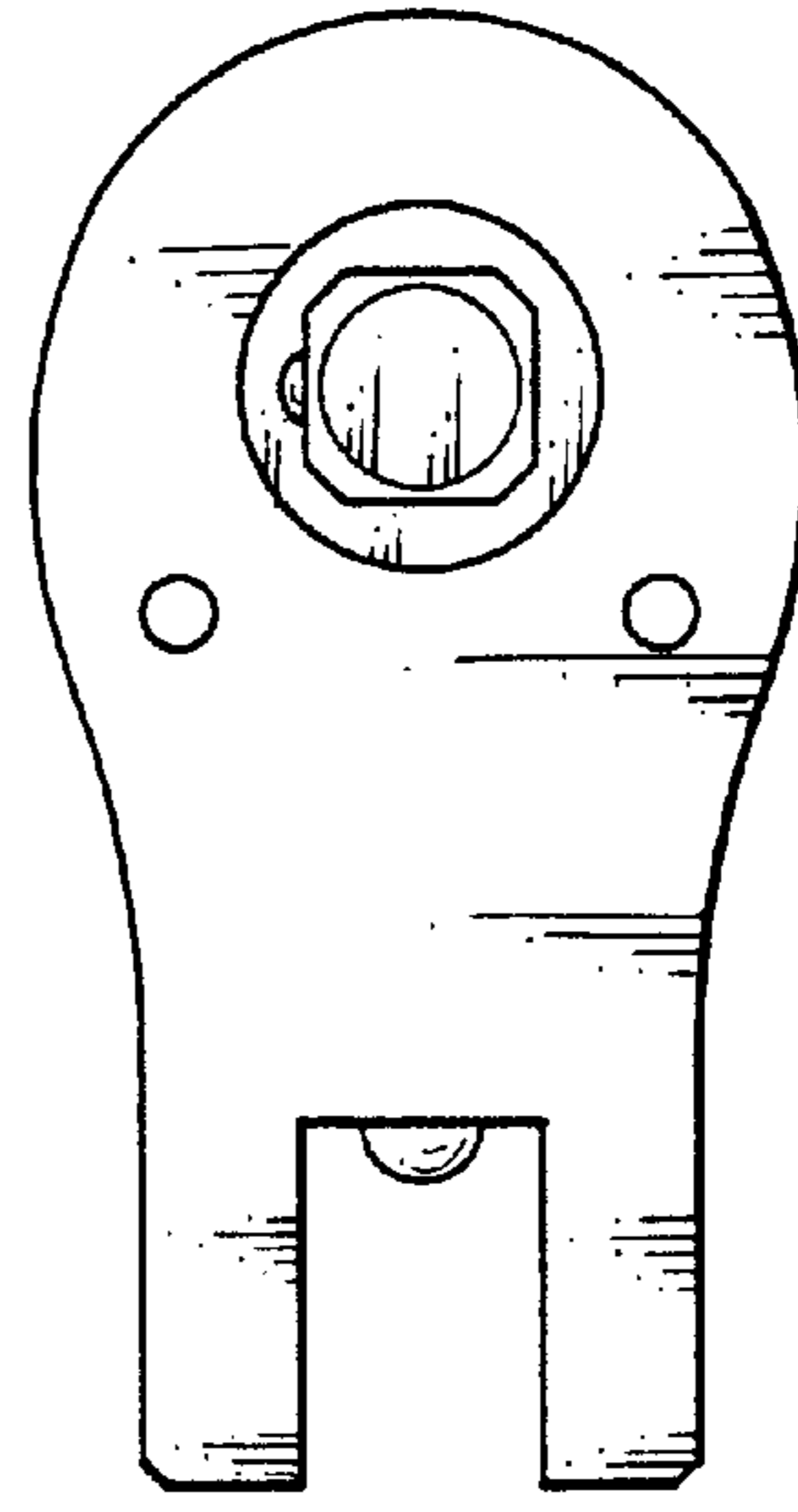


FIG. 3

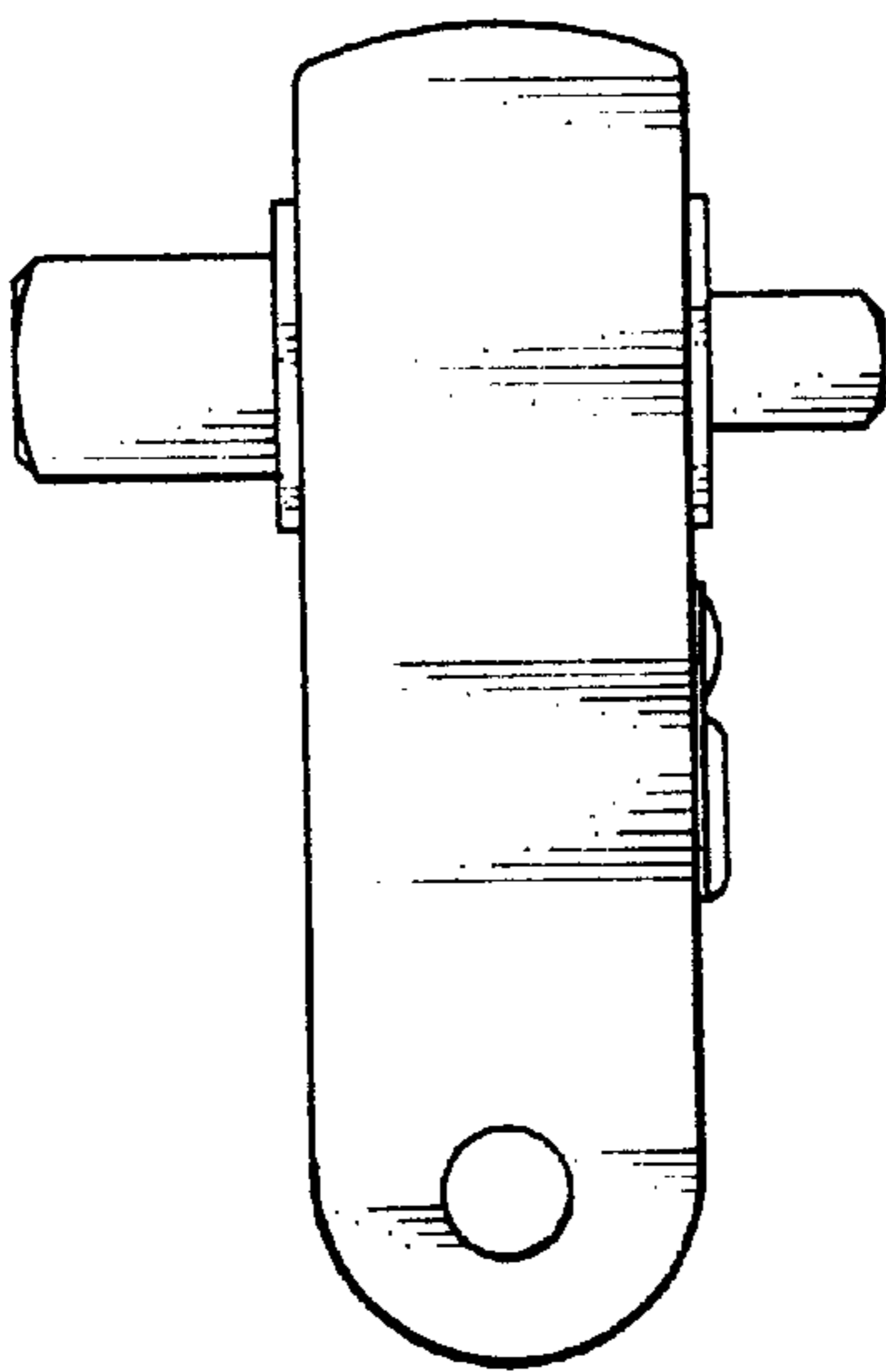


FIG. 6

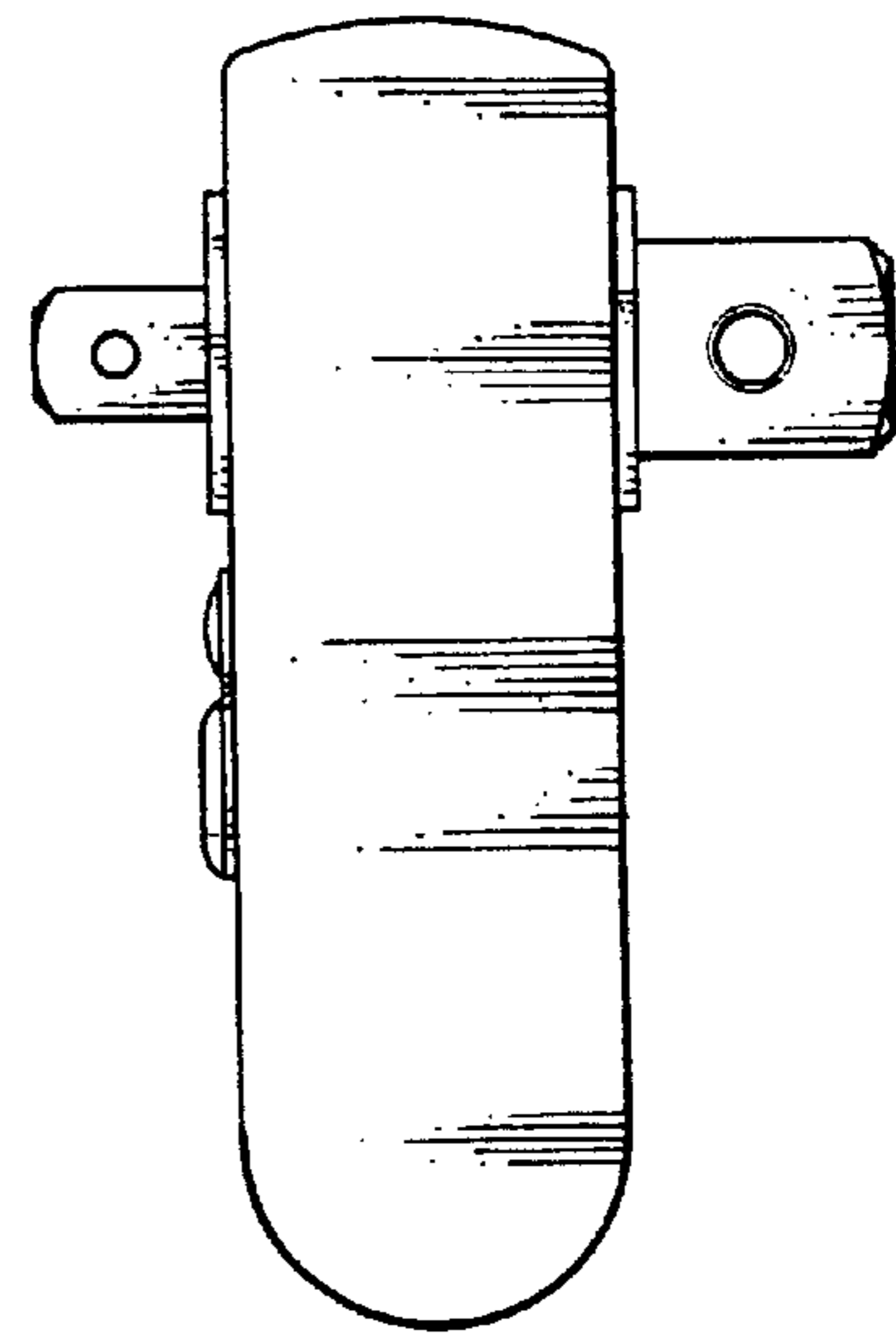


FIG. 7

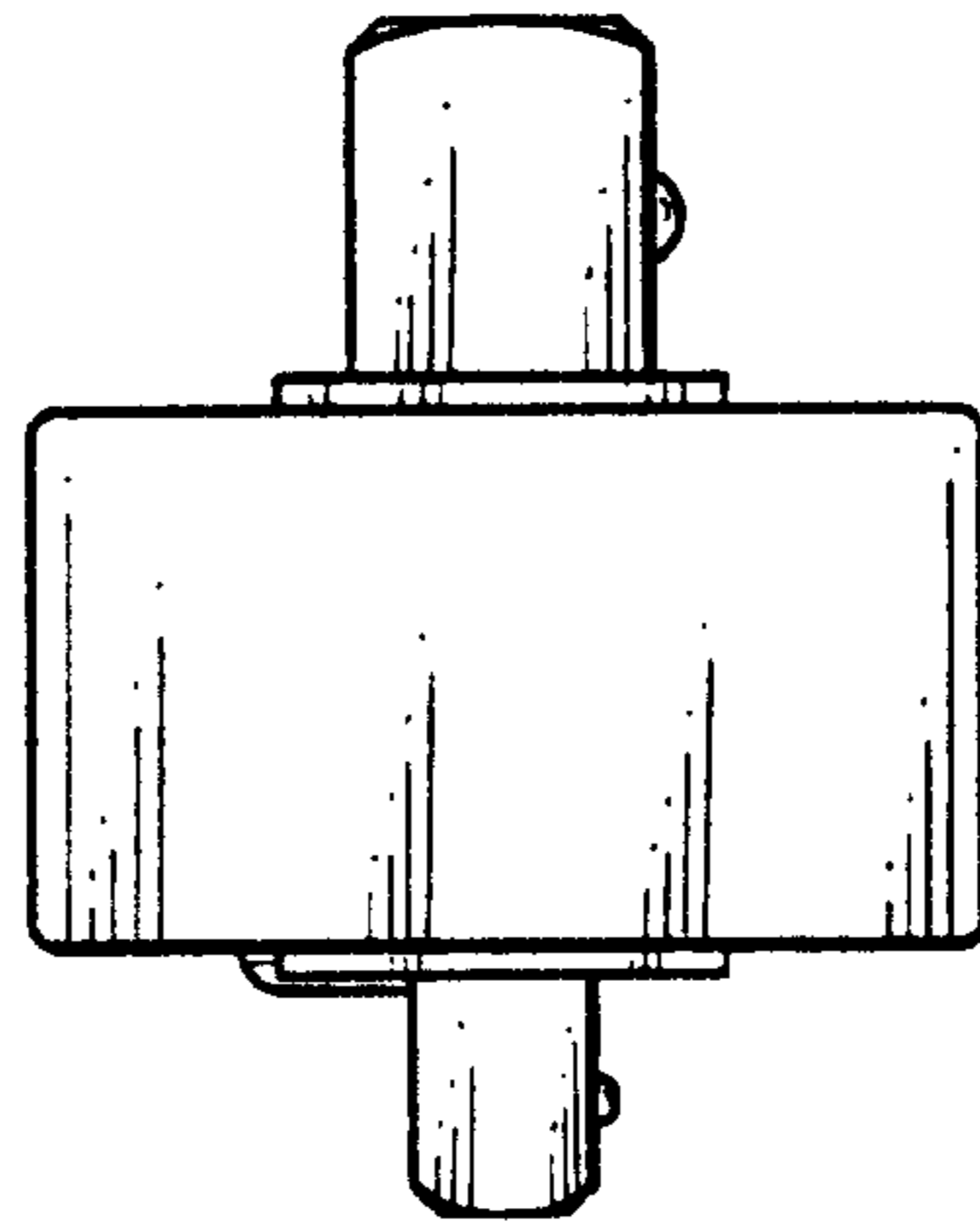


FIG. 4

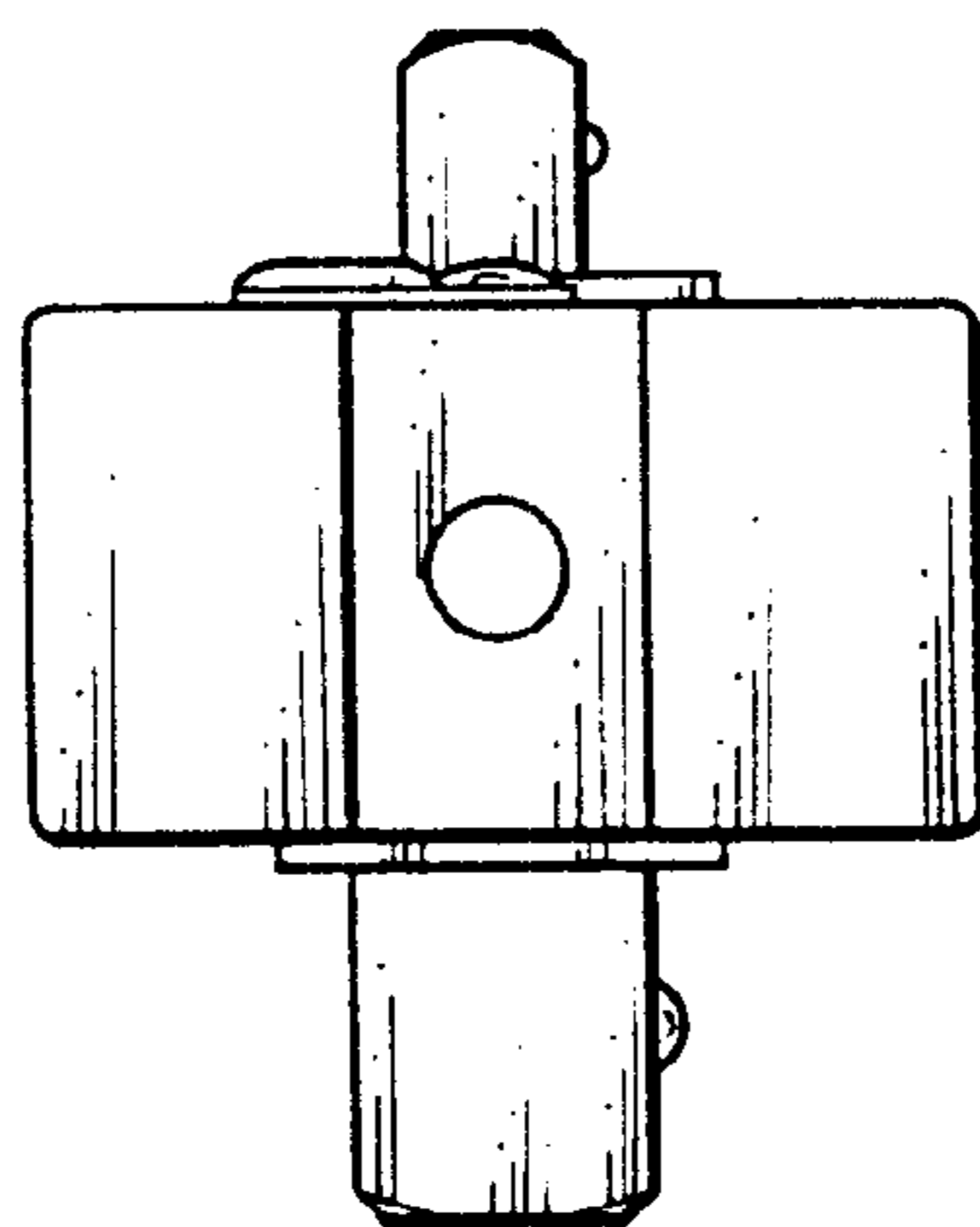


FIG. 5