



US00D471774S

(12) **United States Design Patent**
Hu

(10) **Patent No.:** **US D471,774 S**

(45) **Date of Patent:** **** Mar. 18, 2003**

(54) **HEAD PORTION OF A RATCHET WRENCH**

6,457,389 B1 * 10/2002 Hu 81/62

(76) Inventor: **Bobby Hu**, 8F, No. 536~1, Ta Chin Street, Taichung (TW)

* cited by examiner

(**) Term: **14 Years**

Primary Examiner—Raphael Barkai
(74) *Attorney, Agent, or Firm*—Alan Kamrath; Rider, Bennett, Egan & Arundel, LLP

(21) Appl. No.: **29/157,743**

(57) **CLAIM**

(22) Filed: **Mar. 25, 2002**

The ornamental design for head portion of a ratchet wrench, as shown and described.

(51) **LOC (7) Cl.** **08-05**

(52) **U.S. Cl.** **D8/25**

(58) **Field of Search** D8/21-29; 81/60-63.2, 81/177.1, 177.85

DESCRIPTION

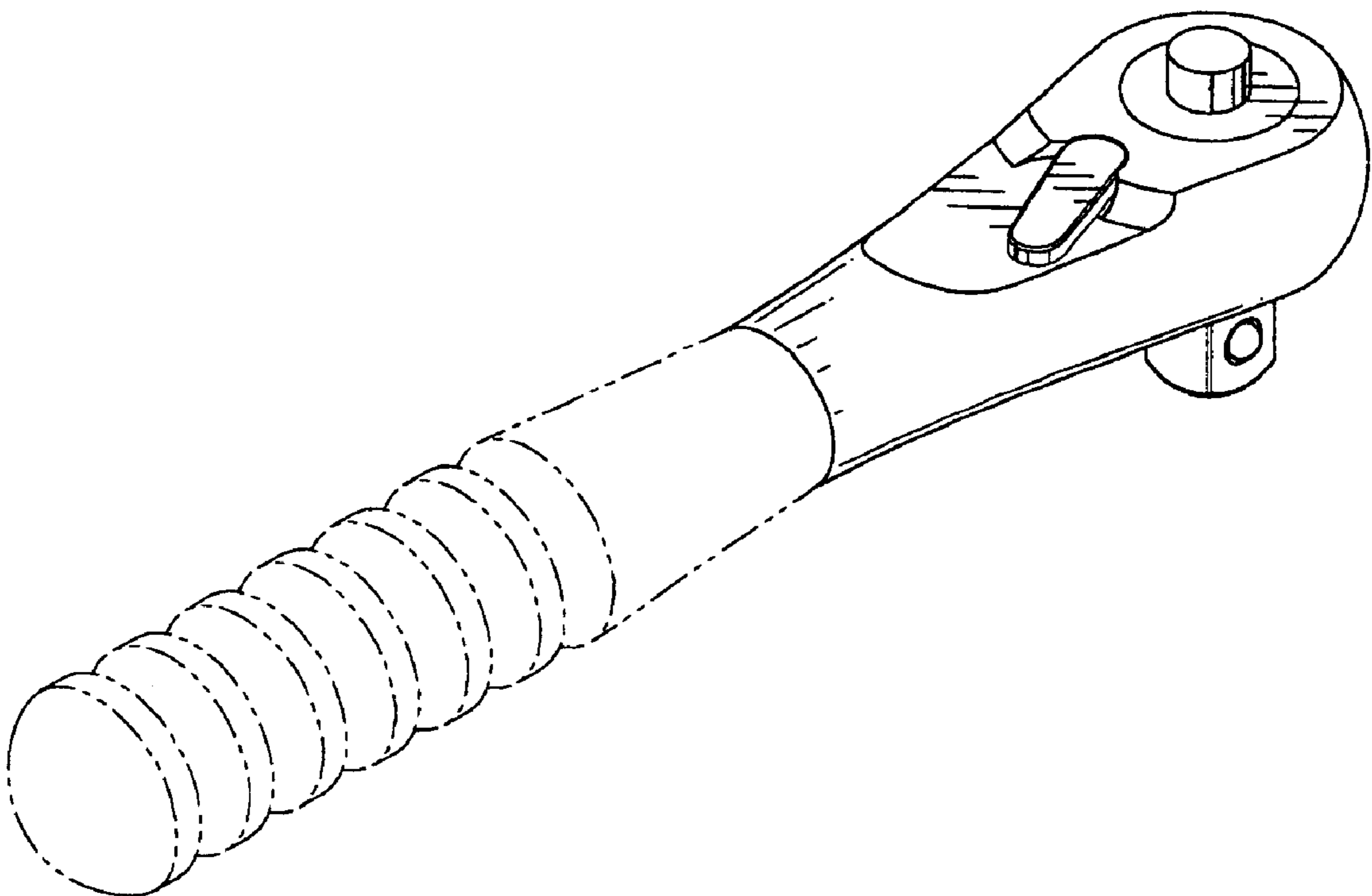
(56) **References Cited**

U.S. PATENT DOCUMENTS

D199,149 S	*	9/1964	Greenlee	
3,393,587 A	*	7/1968	Jolliff et al.	
D289,135 S	*	4/1987	Doman	D8/61
5,178,047 A	*	1/1993	Arnold et al.	81/63.2
D336,225 S	*	6/1993	Lin	D8/25
D380,949 S	*	7/1997	Sung	D8/61
D423,891 S	*	5/2000	Melvin et al.	D8/25
D438,438 S	*	3/2001	Melvin et al.	D8/25
D439,480 S	*	3/2001	Hsu	D8/25

FIG. 1 is a perspective view of a head portion of a ratchet wrench showing my new design; FIG. 2 is a front elevational view thereof; FIG. 3 is a rear elevational view thereof; FIG. 4 is a left elevational view thereof; FIG. 5 is a right elevational view thereof; and FIG. 6 is top plan view thereof; FIG. 7 is bottom plan view thereof; and, FIG. 8 is the perspective view embodying the utilization of head portion of a ratchet wrench in which the broken line is for illustrative purposes only and forms no part of the claimed design.

1 Claim, 4 Drawing Sheets



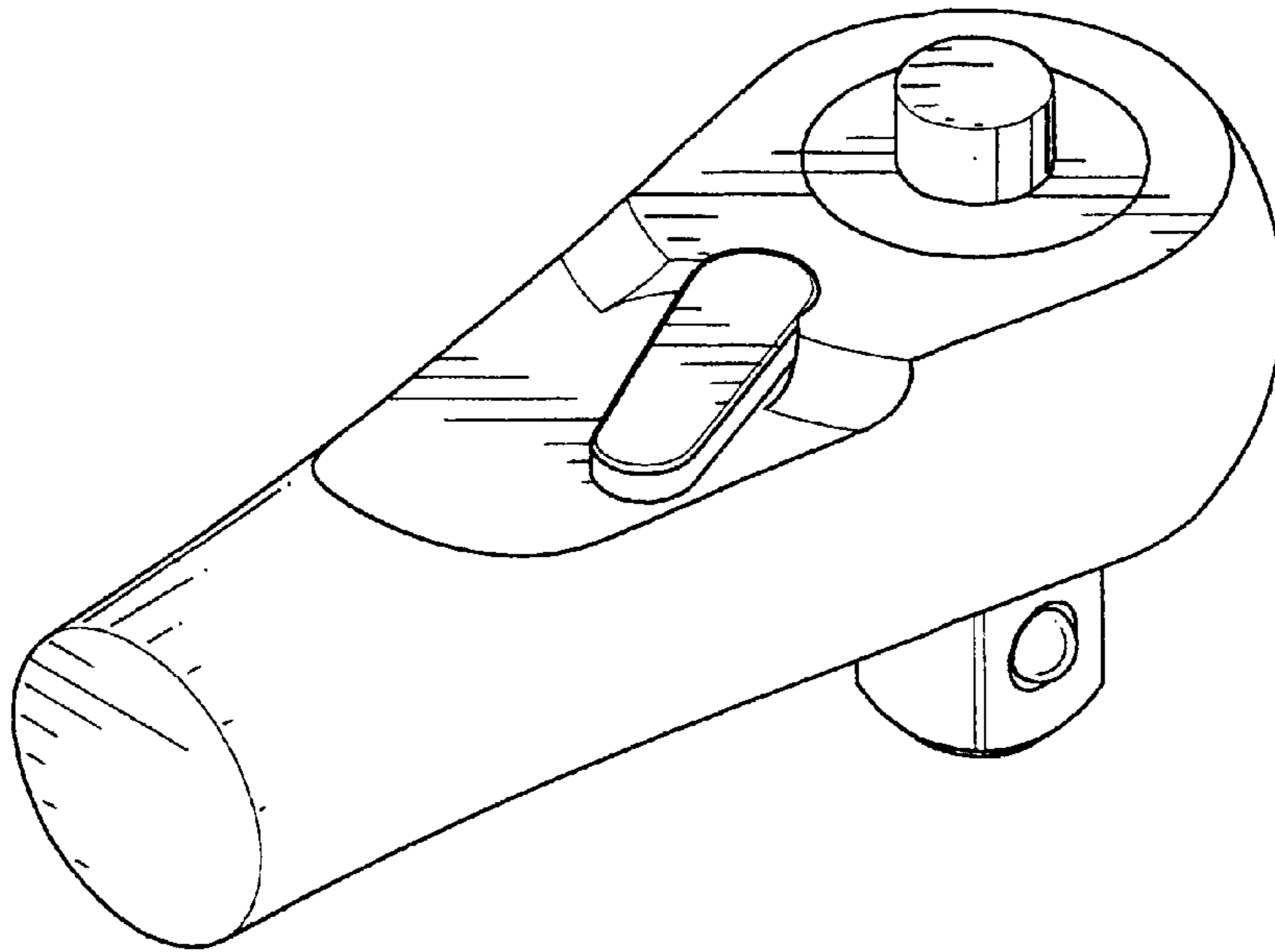


Fig. 1

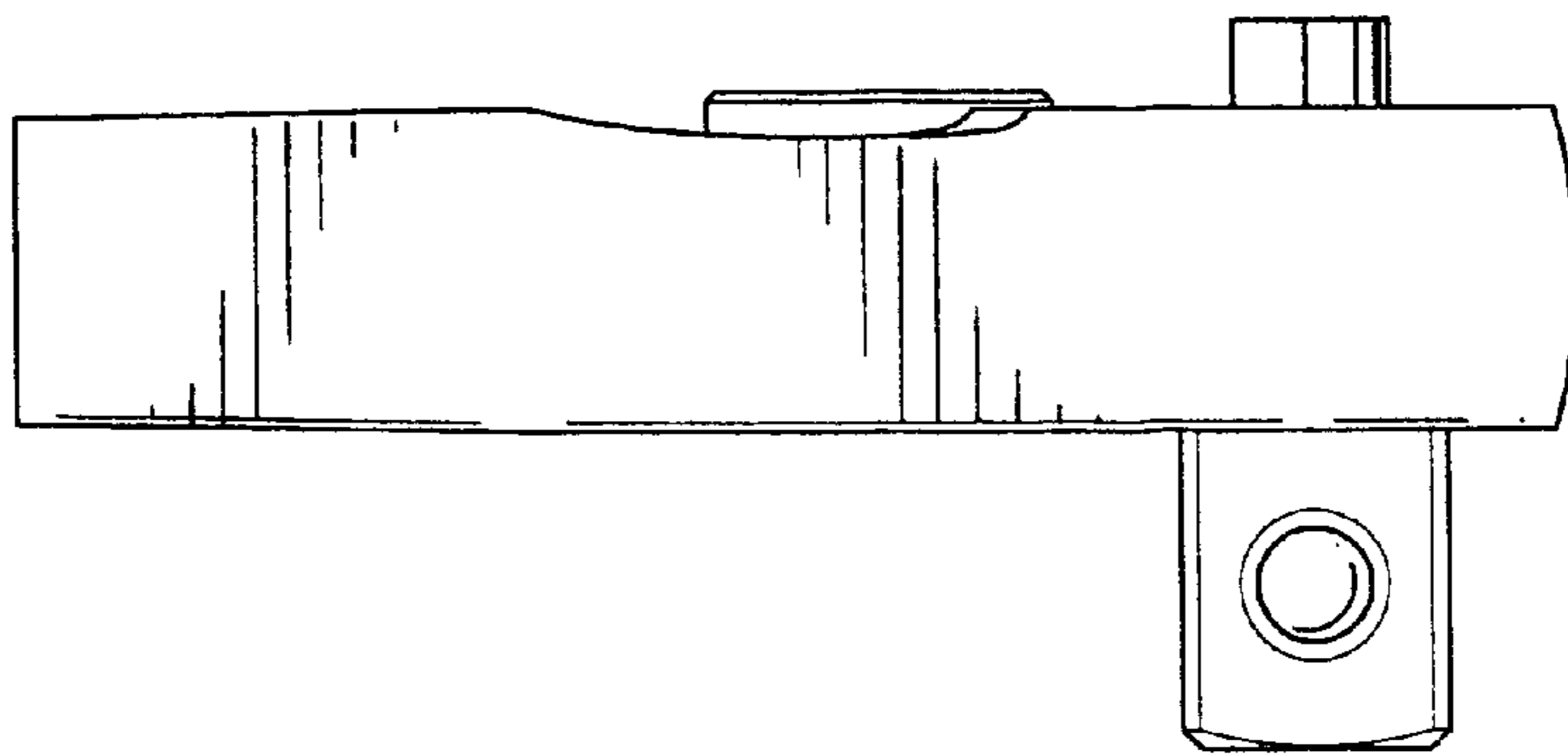


Fig. 2

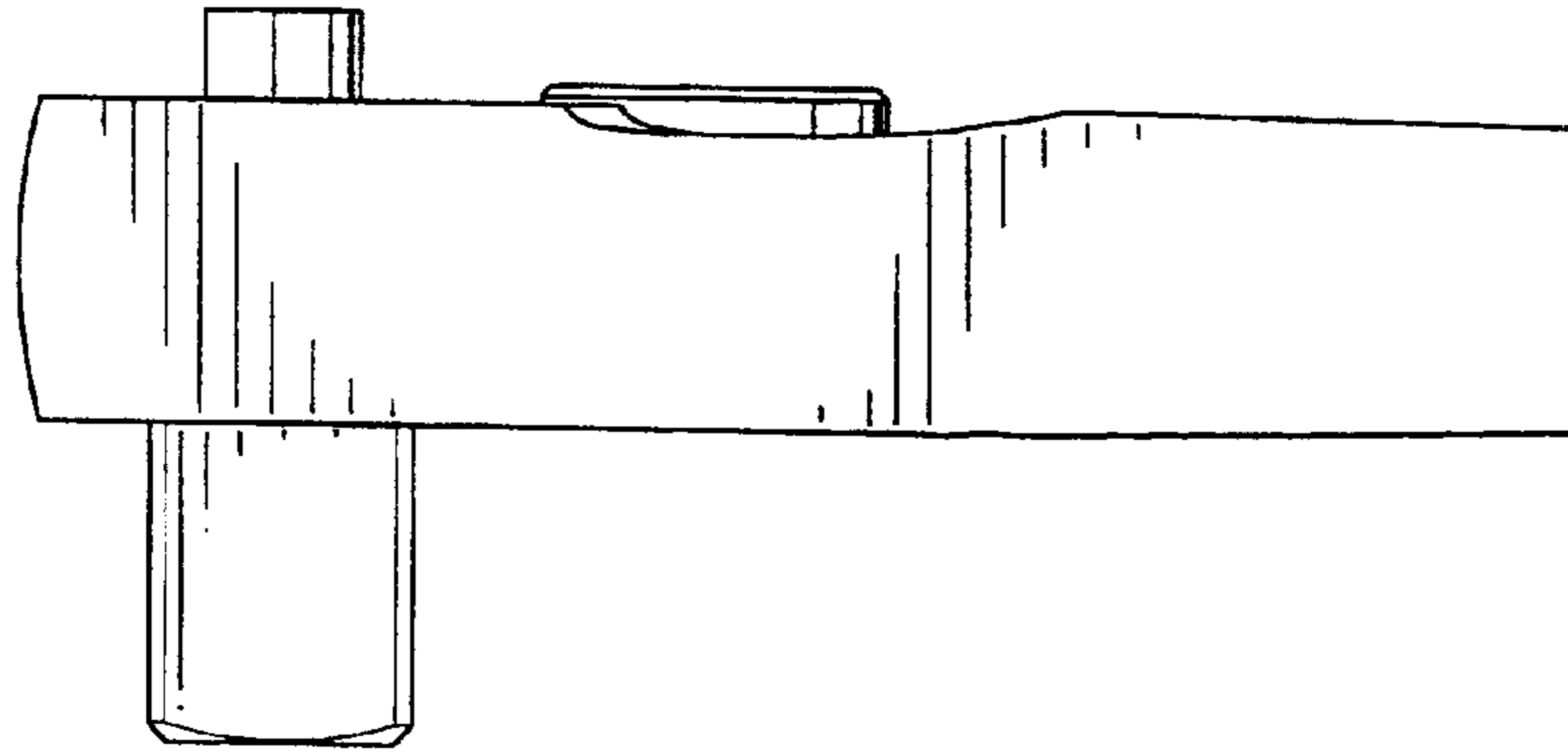


Fig. 3

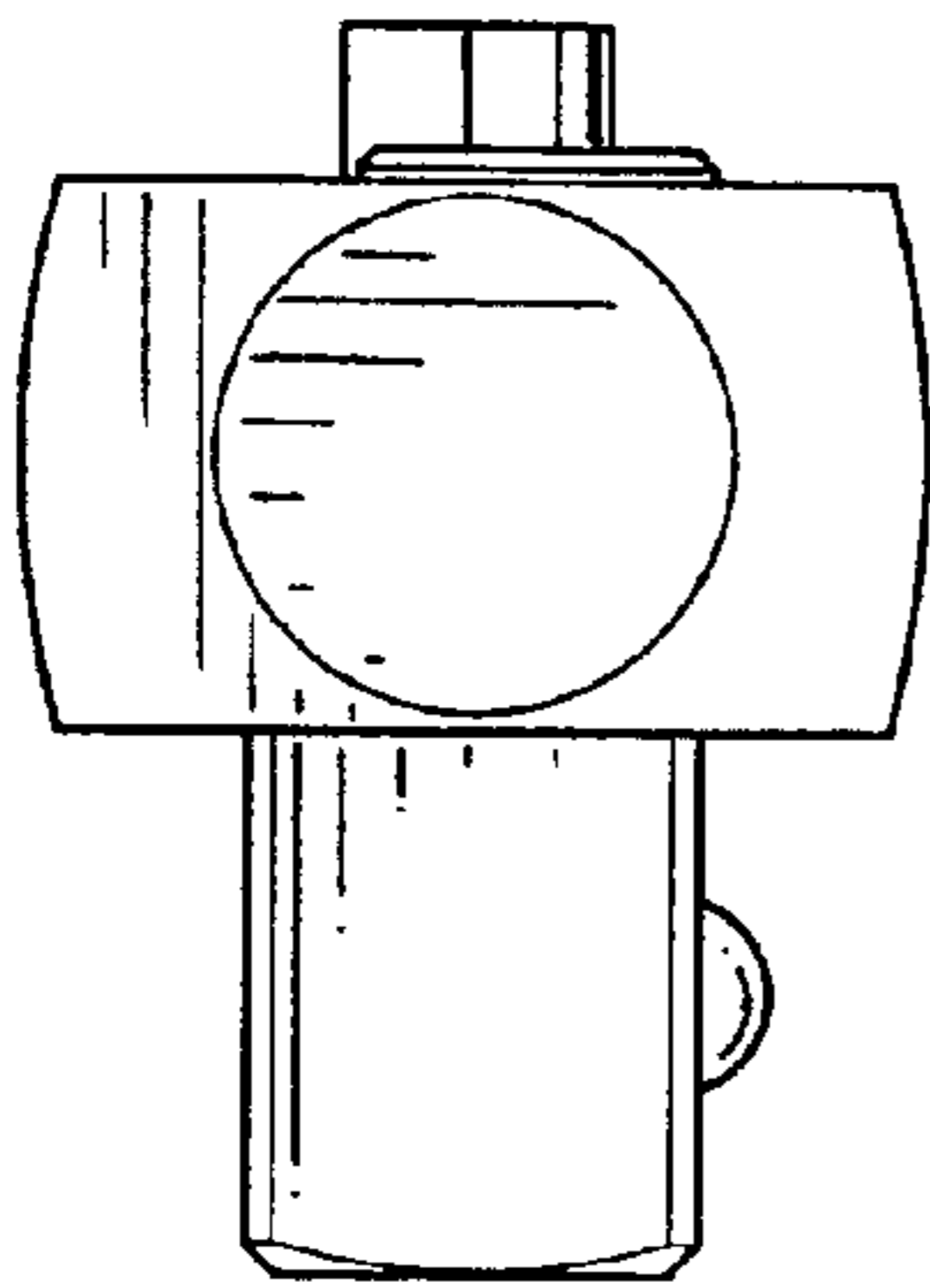


Fig. 4

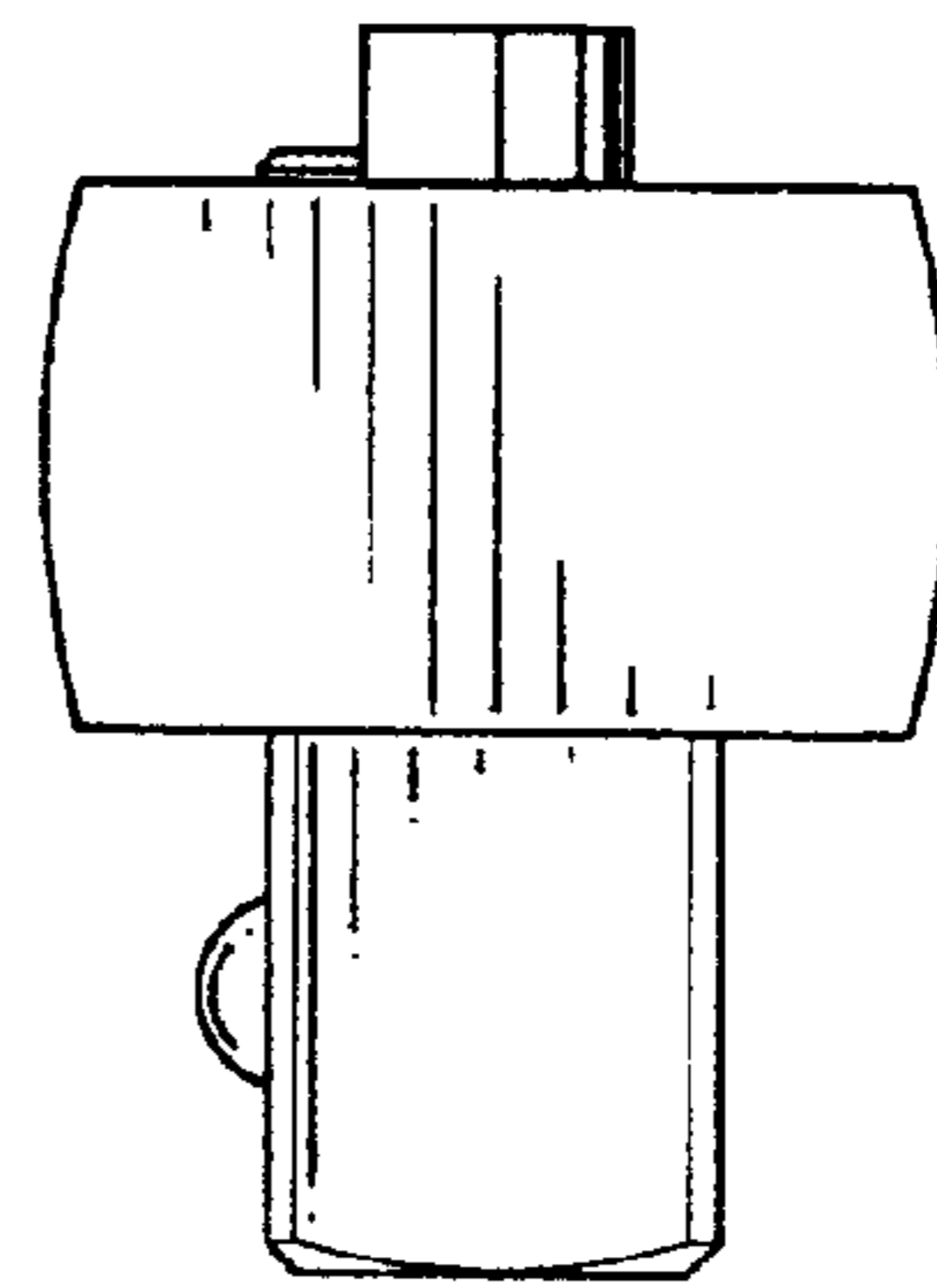


Fig. 5

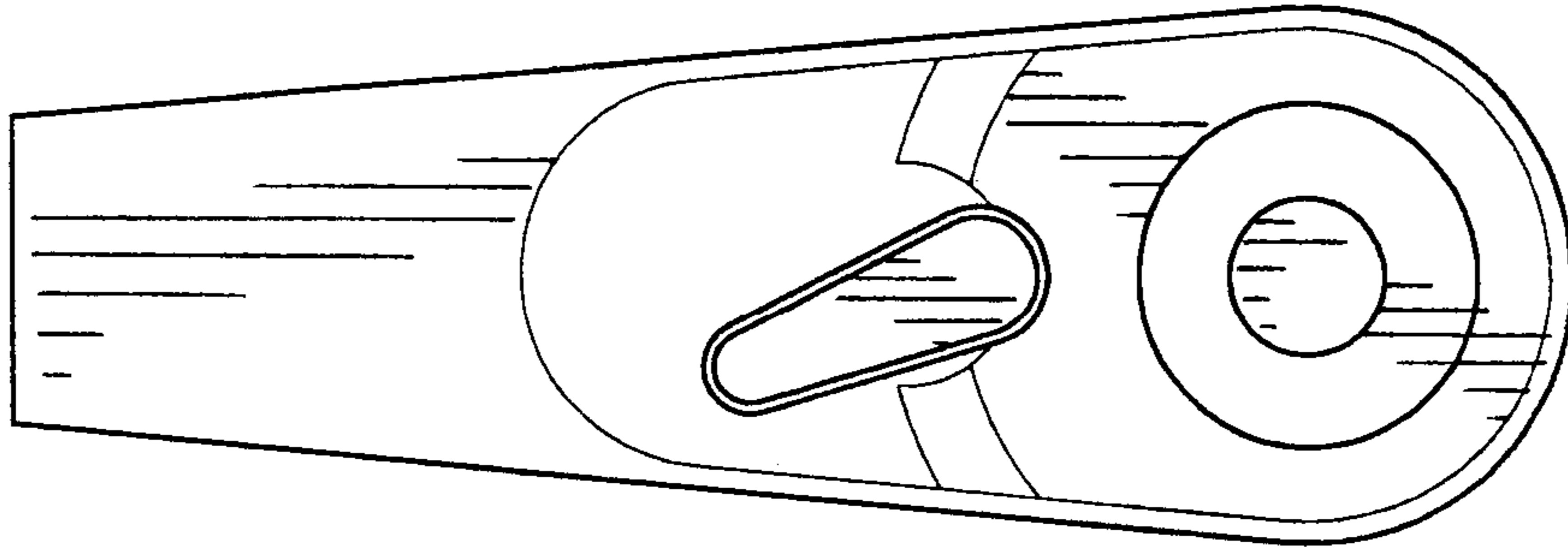


Fig. 6

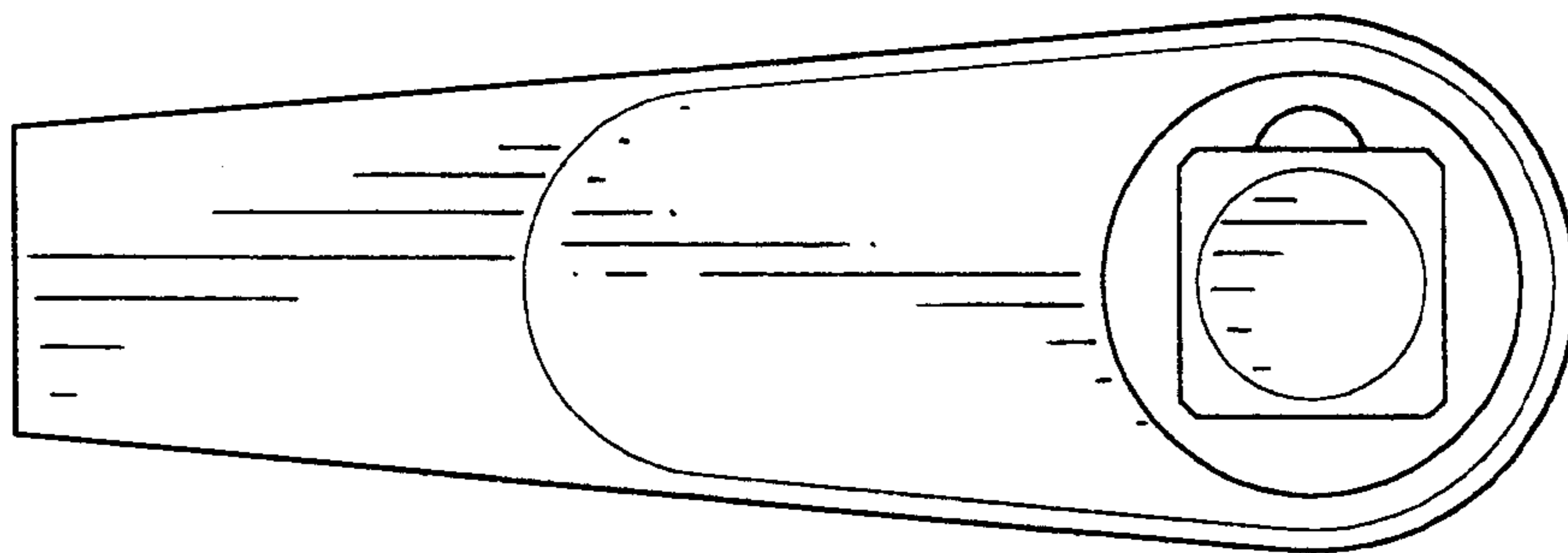


Fig. 7

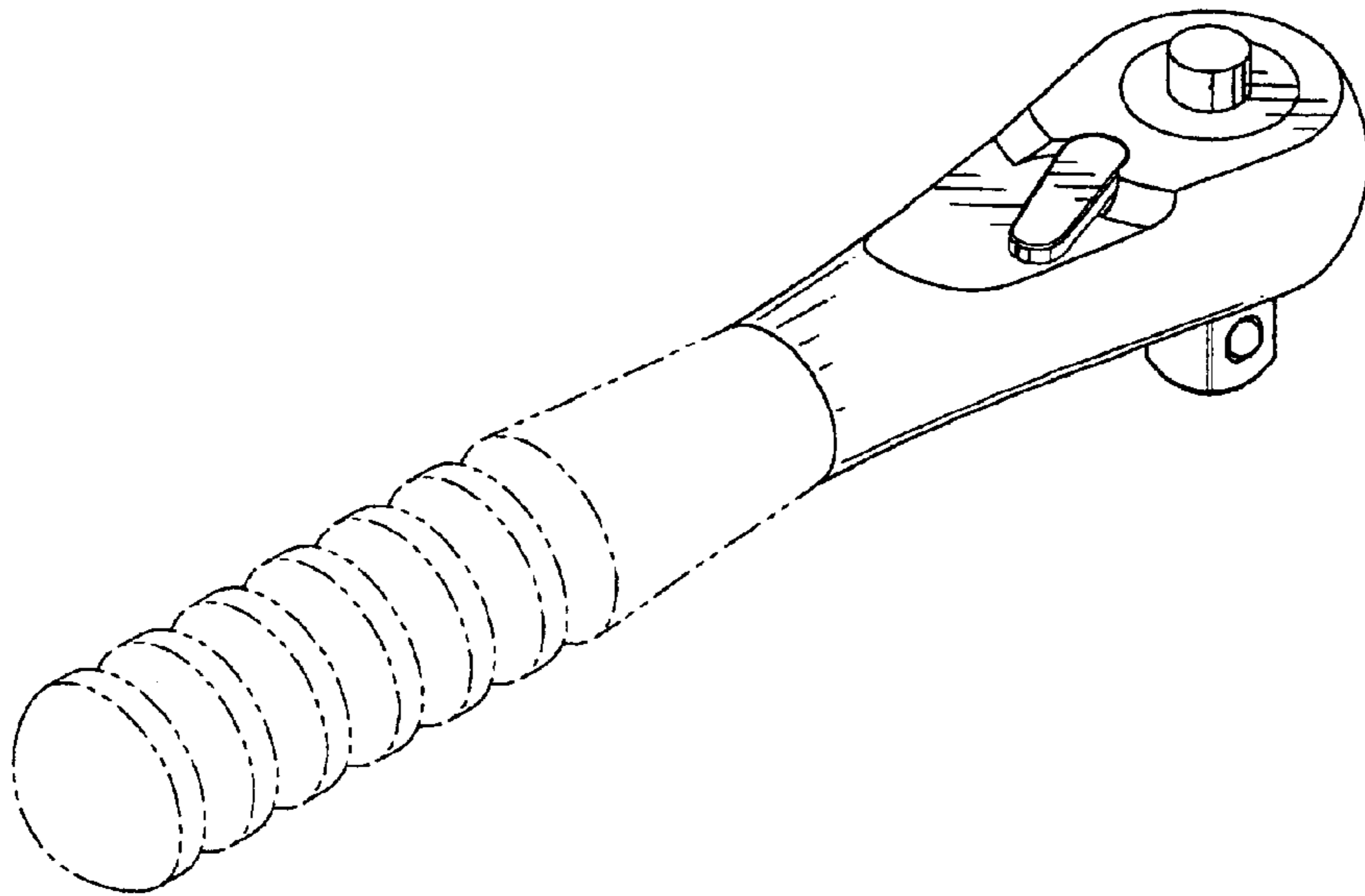


Fig. 8