



US00D471769S

(12) **United States Design Patent**
Cantor et al.

(10) **Patent No.:** **US D471,769 S**
(45) **Date of Patent:** **** Mar. 18, 2003**

(54) **COOLER**

(76) Inventors: **Kenneth Cantor**, 4379 Strathdale, West Bloomfield, MI (US) 48323; **John E. Nemazi**, 4373 Stoneleigh, Bloomfield Hills, MI (US) 48302; **Matthew R. Mowers**, 1607 Brentwood, Troy, MI (US) 48098

(**) Term: **14 Years**

(21) Appl. No.: **29/153,060**

(22) Filed: **Oct. 26, 2001**

(51) **LOC (7) Cl.** **07-01**

(52) **U.S. Cl.** **D7/606**

(58) **Field of Search** D7/605-608, 628;
62/457.1, 457.7, 371, 372; 220/592.16,
592.17, 592.23-592.27, 915.1, 915.2; D9/307,
320

(56) **References Cited**

U.S. PATENT DOCUMENTS

- D325,853 S * 5/1992 Kahl D7/605
- 5,154,158 A * 10/1992 Lindsey 62/457.7 X
- D416,763 S * 11/1999 Paravati D7/605

* cited by examiner

Primary Examiner—Terry A. Wallace
(74) *Attorney, Agent, or Firm*—Brooks & Kushman P.C.

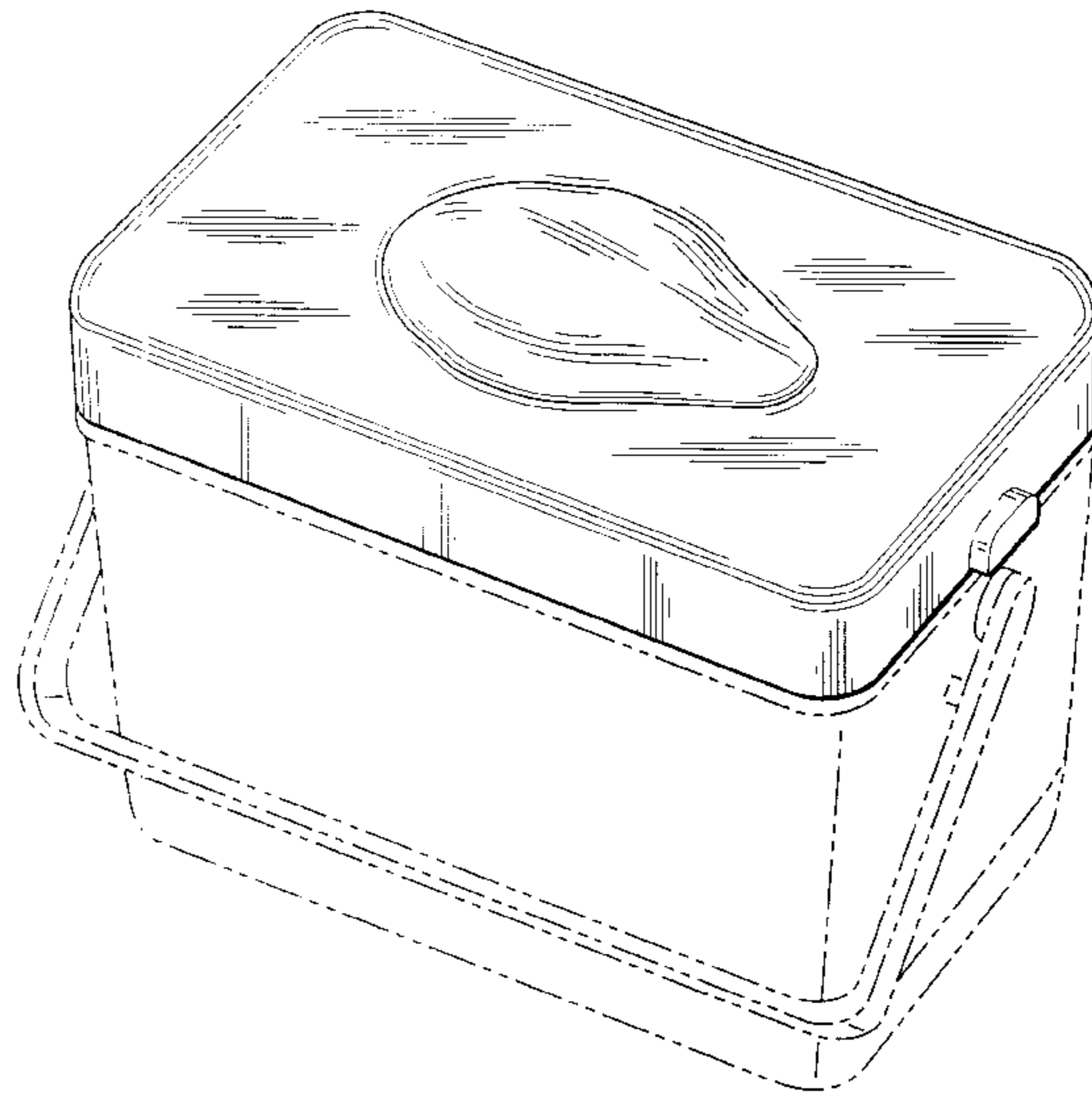
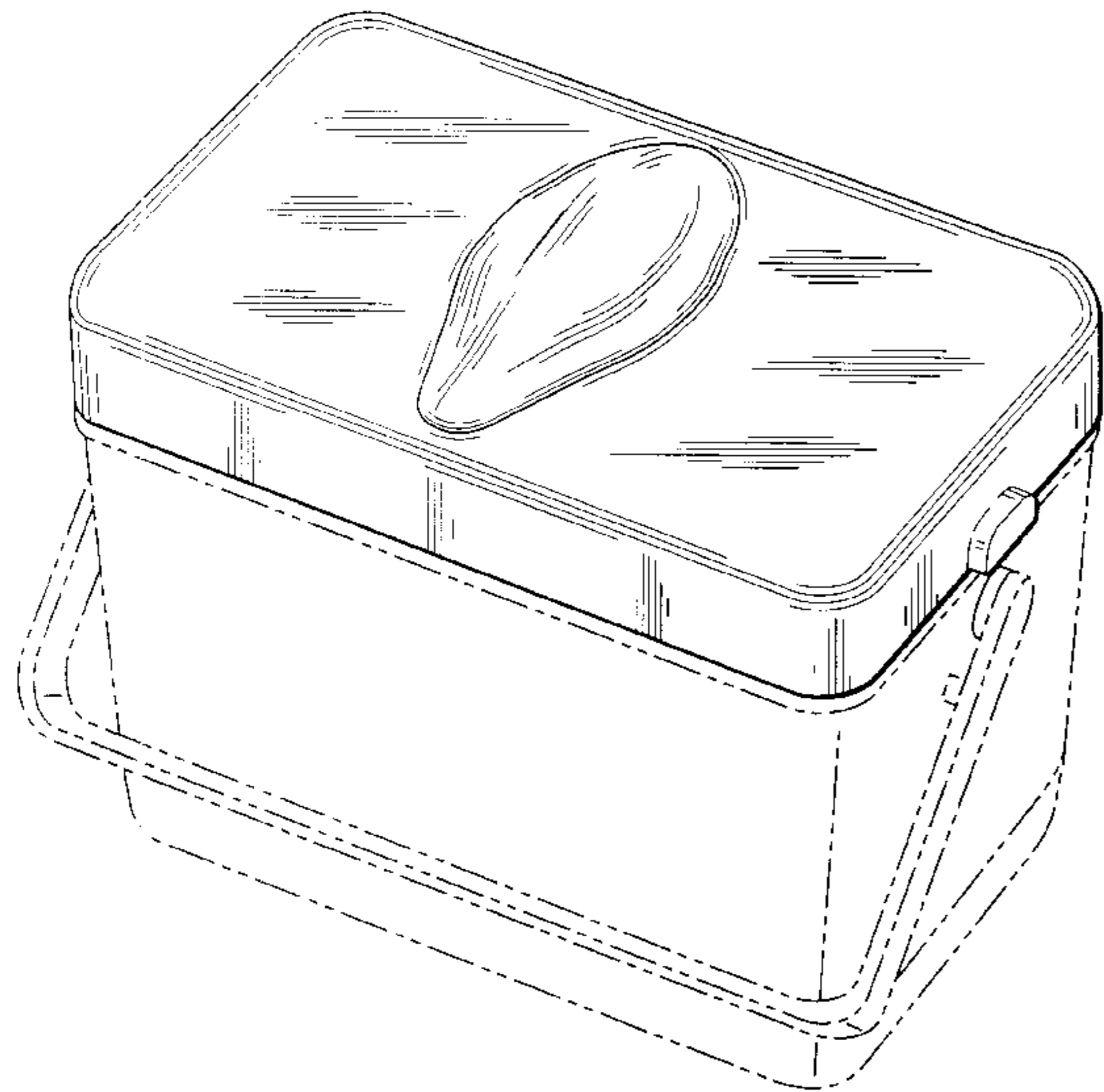
(57) **CLAIM**

The ornamental design for a cooler, as shown and described.

DESCRIPTION

FIG. 1 is a perspective view of a cooler;
 FIG. 2 is a front elevational view thereof;
 FIG. 3 is a top plan view thereof;
 FIG. 4 is a rear side elevational view thereof;
 FIG. 5 is a bottom plan view thereof;
 FIG. 6 is a right side elevational view thereof;
 FIG. 7 is a left side elevational view thereof;
 FIG. 8 is a perspective view of the second embodiment of the perspective view of a cooler;
 FIG. 9 is a front side elevational view of the 2nd embodiment shown in FIG. 8;
 FIG. 10 is a top plan view of the 2nd embodiment shown in FIG. 8;
 FIG. 11 is a rear side elevational view of the 2nd embodiment shown in FIG. 8;
 FIG. 12 is a bottom plan view of the 2nd embodiment shown in FIG. 8;
 FIG. 13 is a right side elevational view of the 2nd embodiment shown in FIG. 8; and,
 FIG. 14 is a left side elevational view of the 2nd embodiment shown in FIG. 8.
 The broken lines are for illustrative purposes only and form no part of the claimed design.

1 Claim, 6 Drawing Sheets



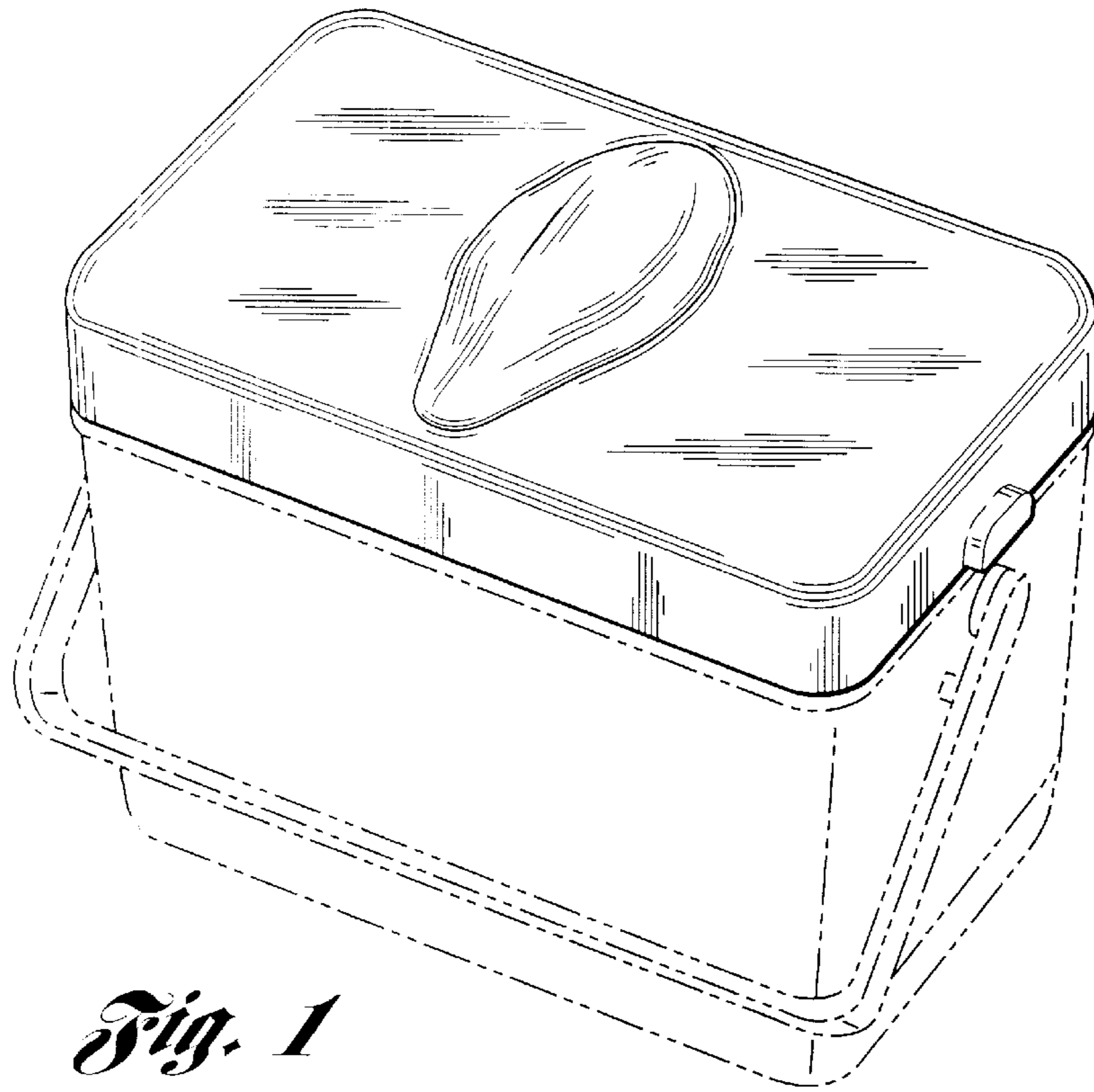


Fig. 1

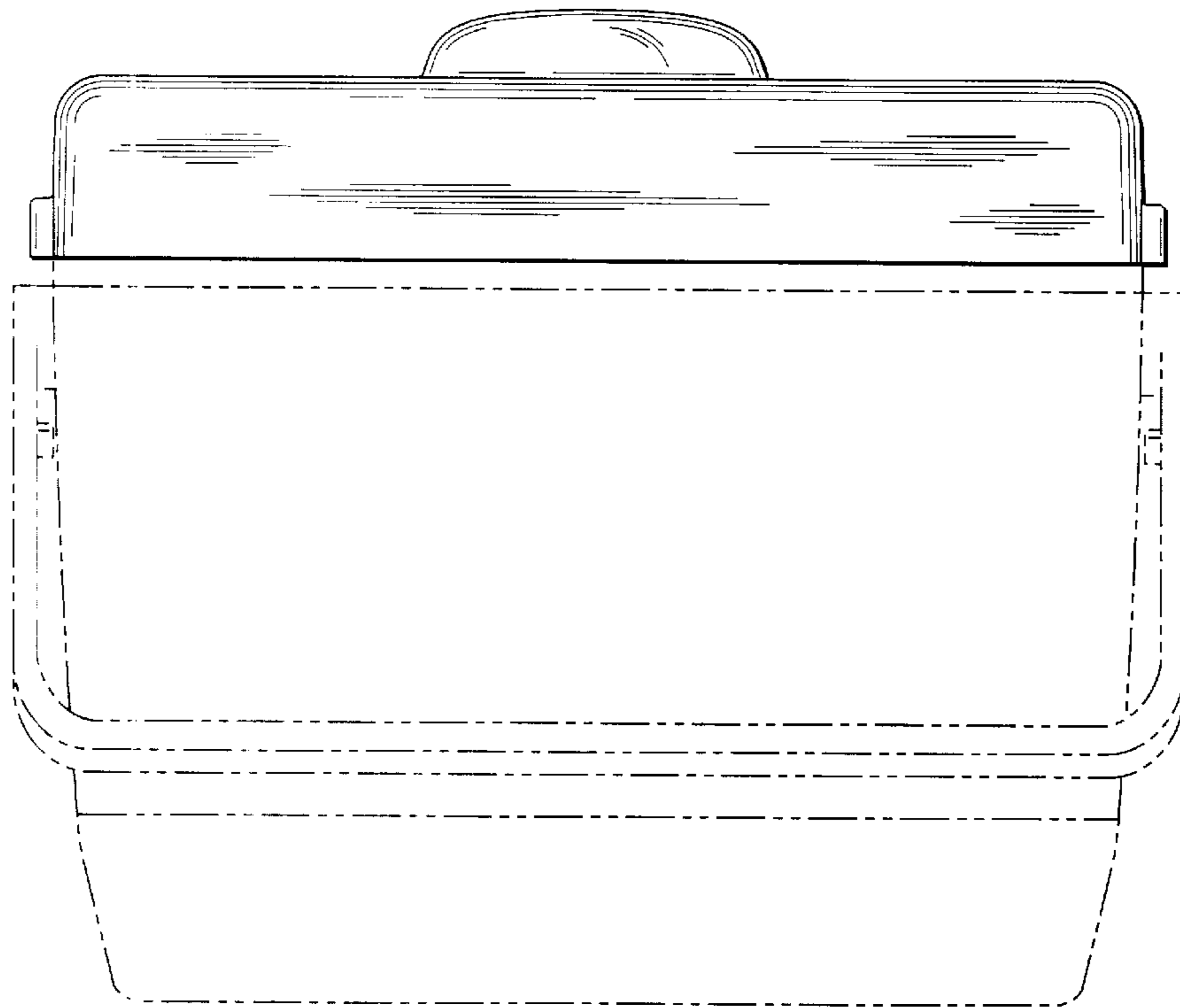


Fig. 2

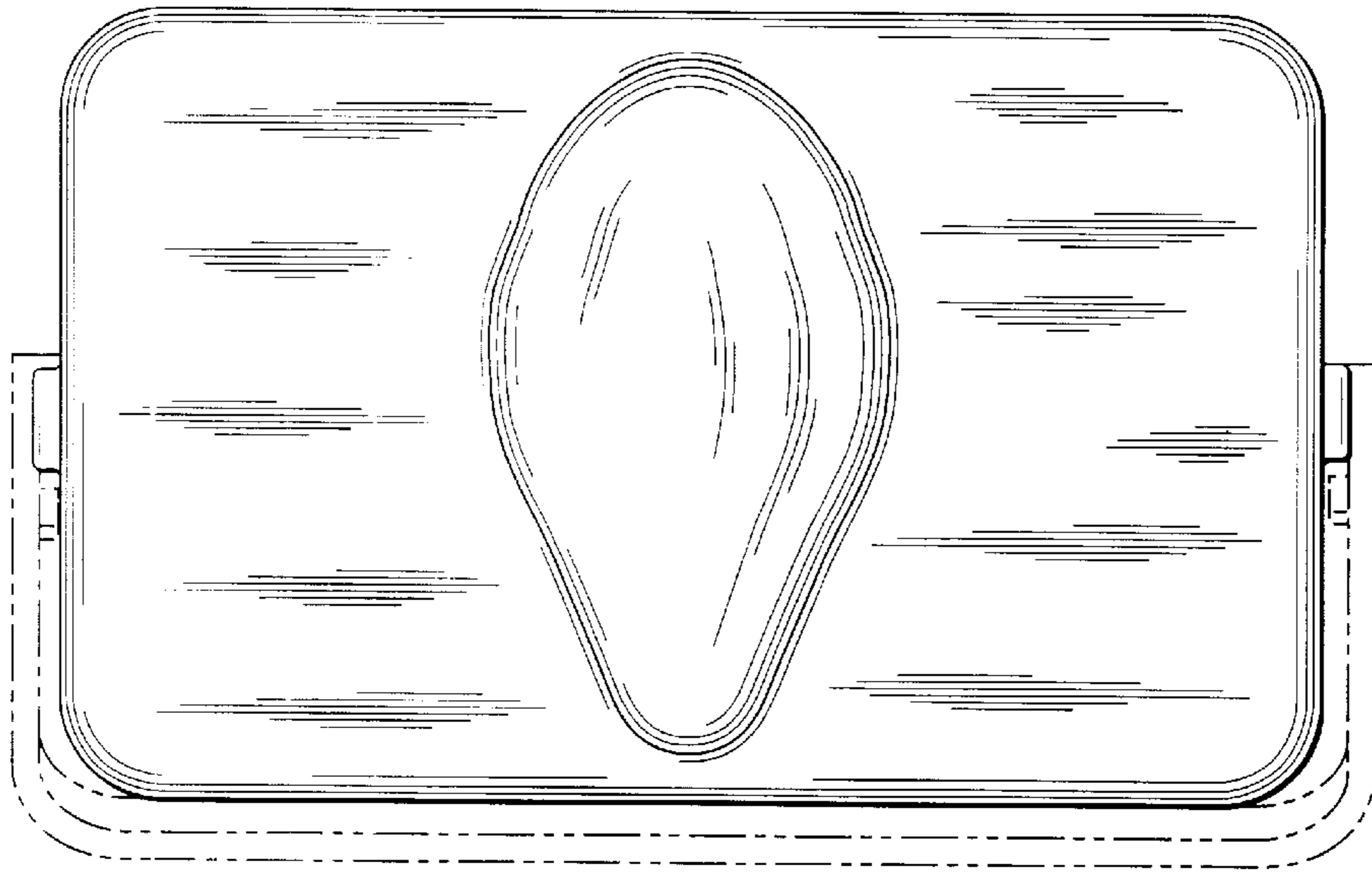


Fig. 3

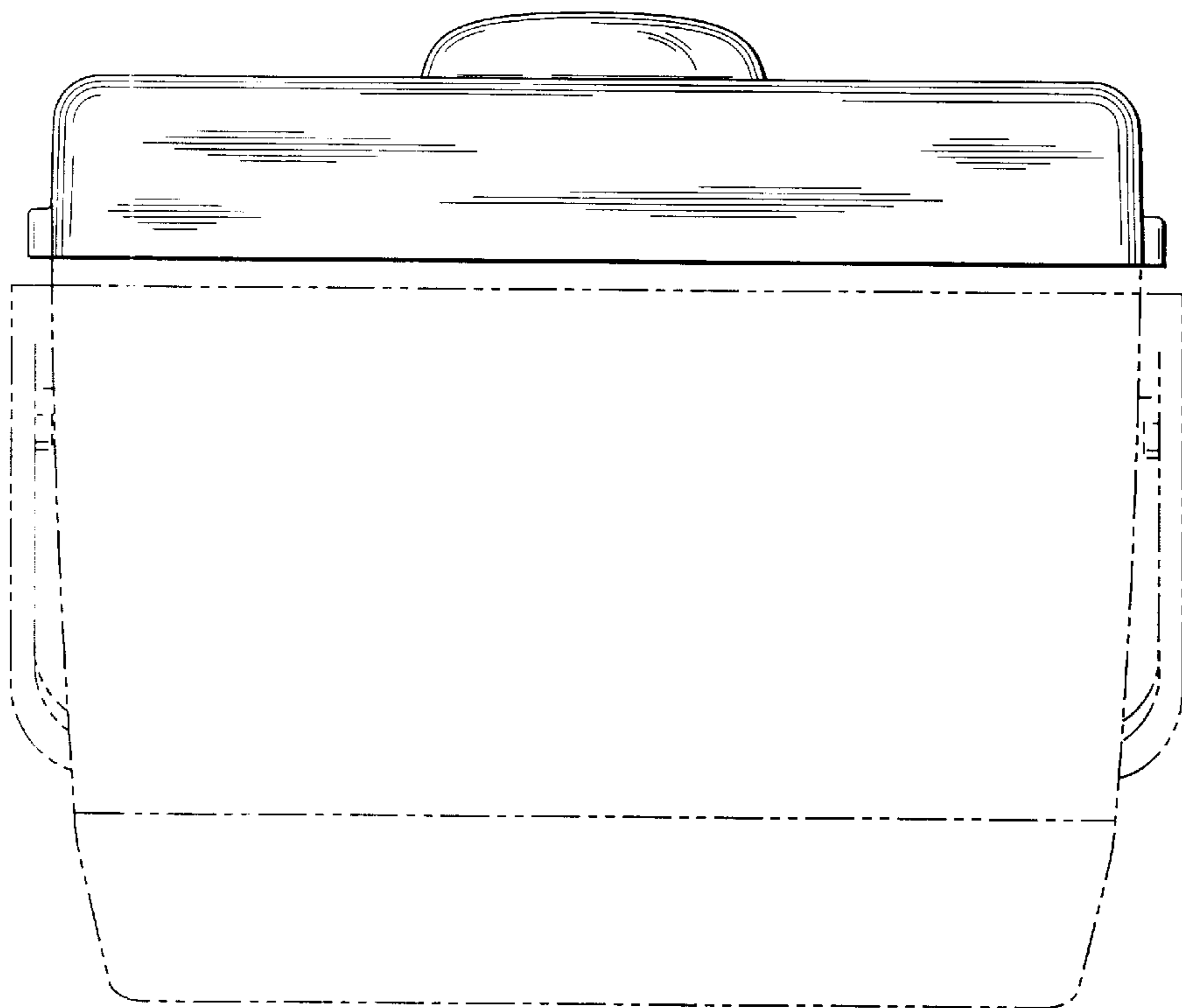


Fig. 4

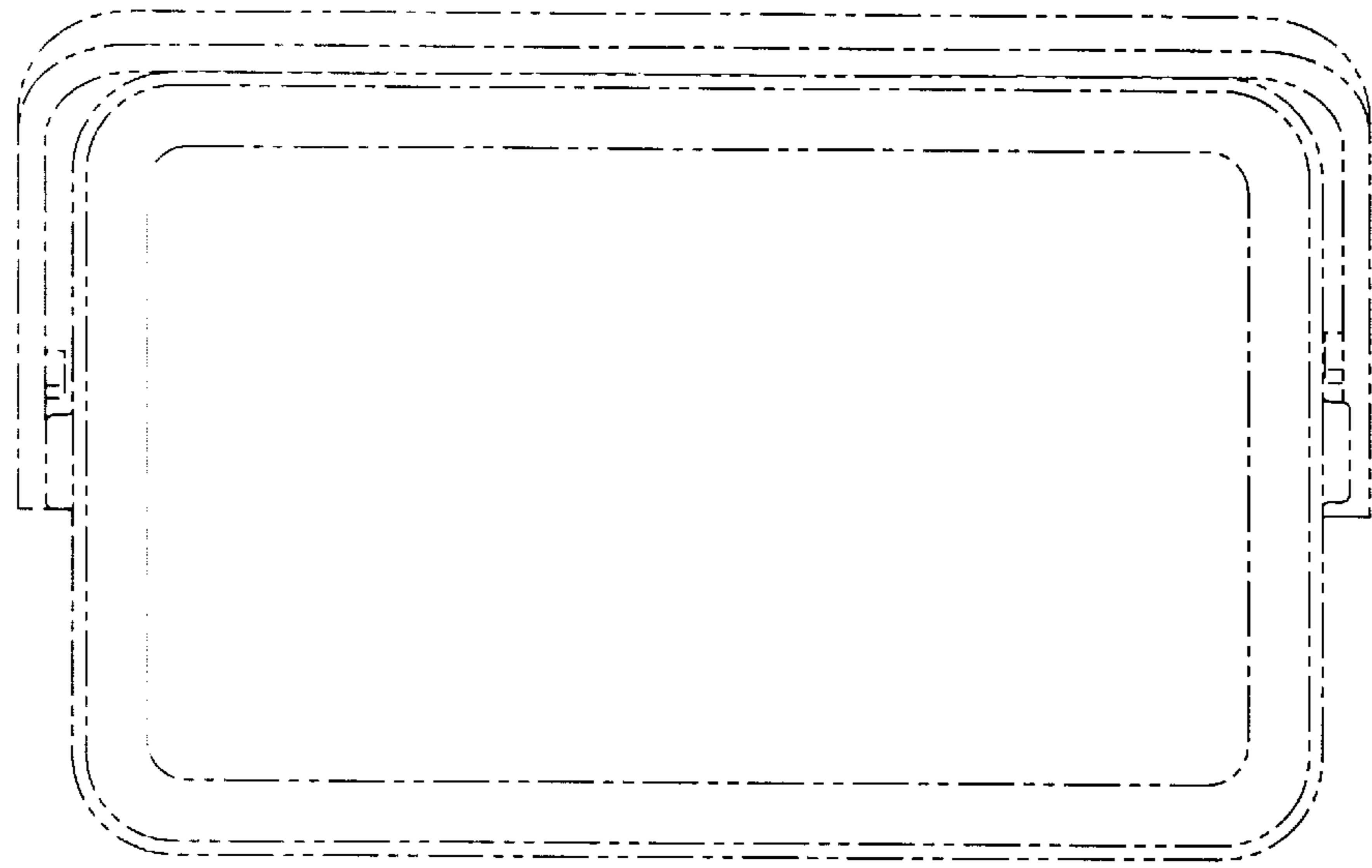


Fig. 5

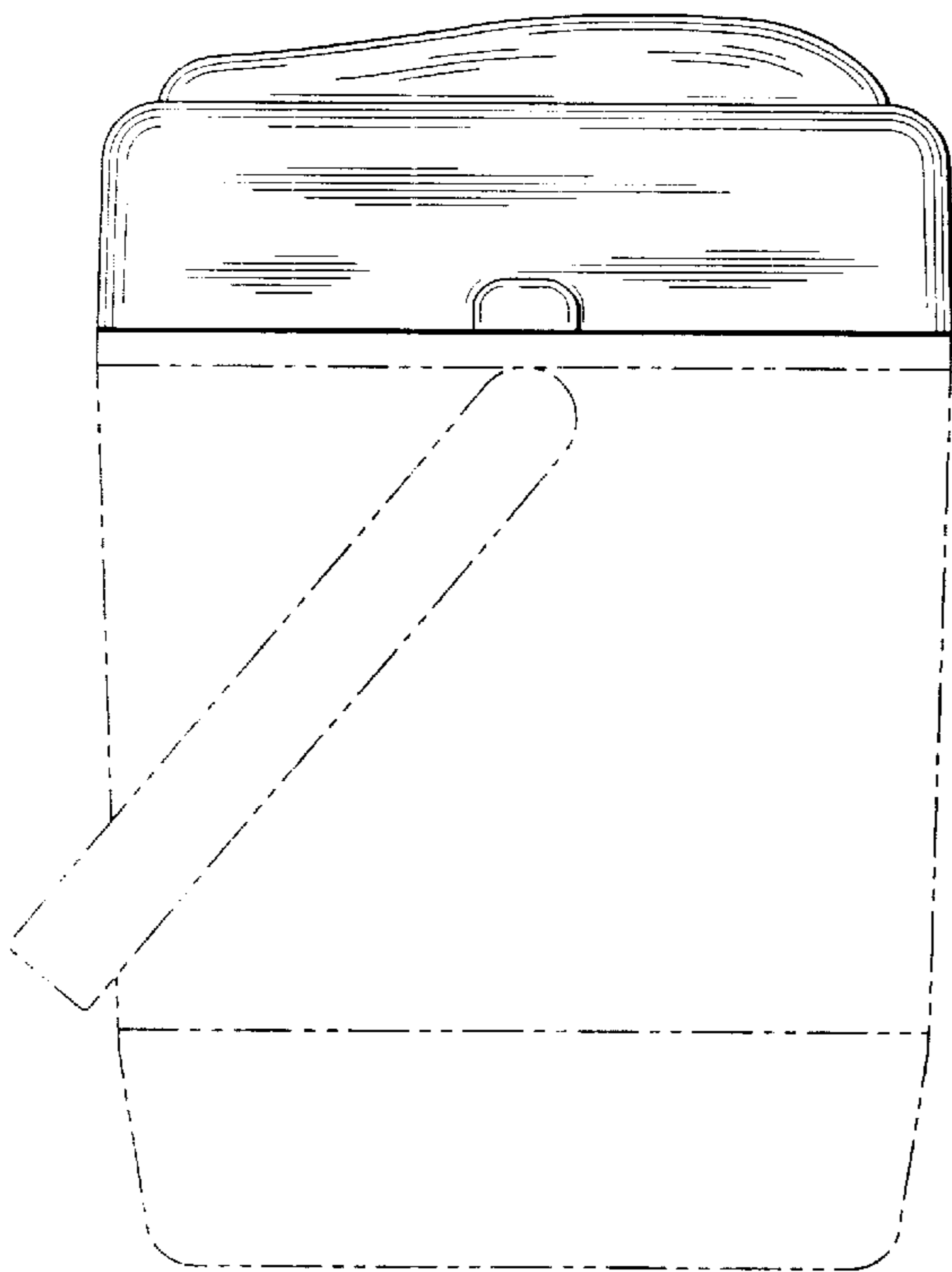


Fig. 6

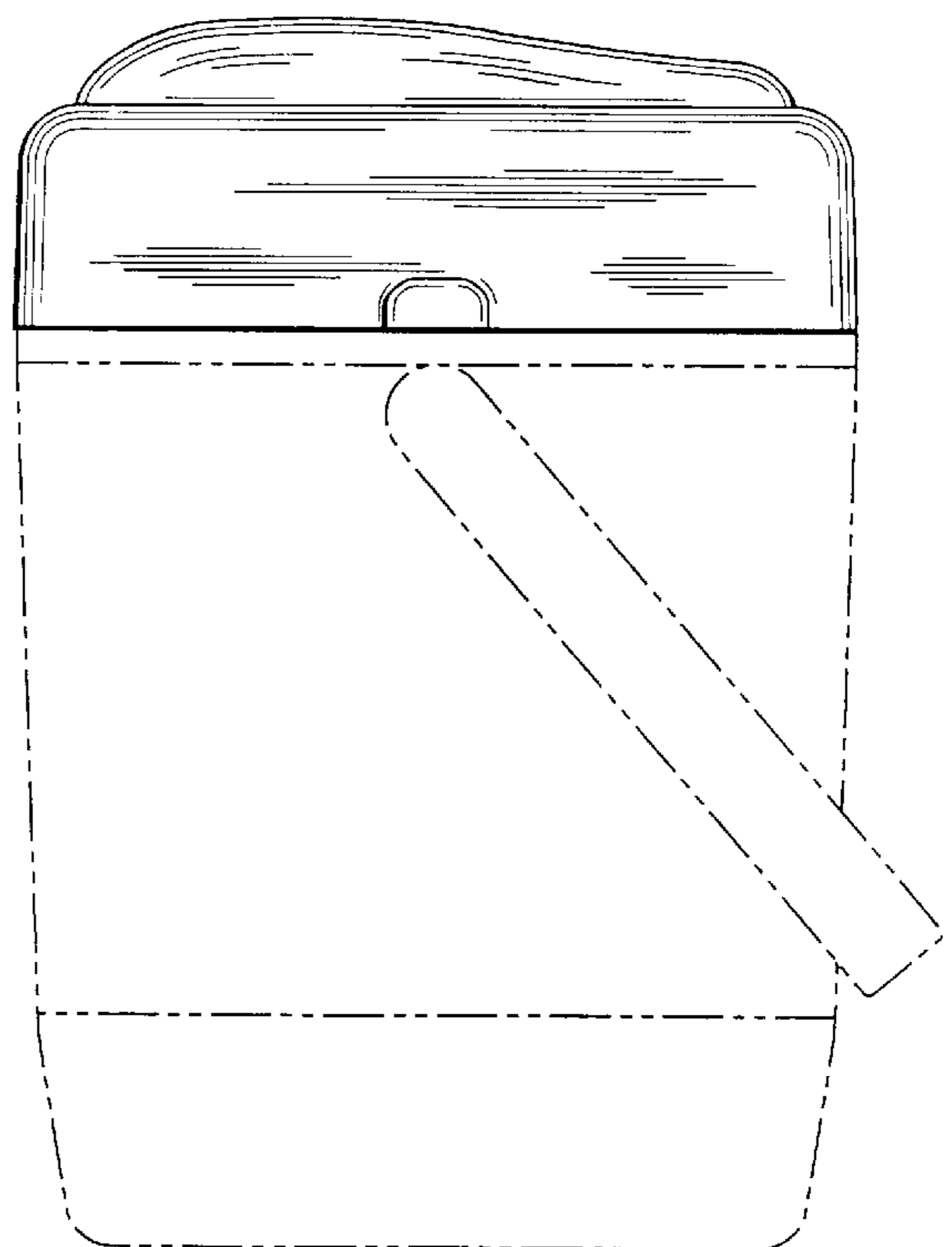


Fig. 7

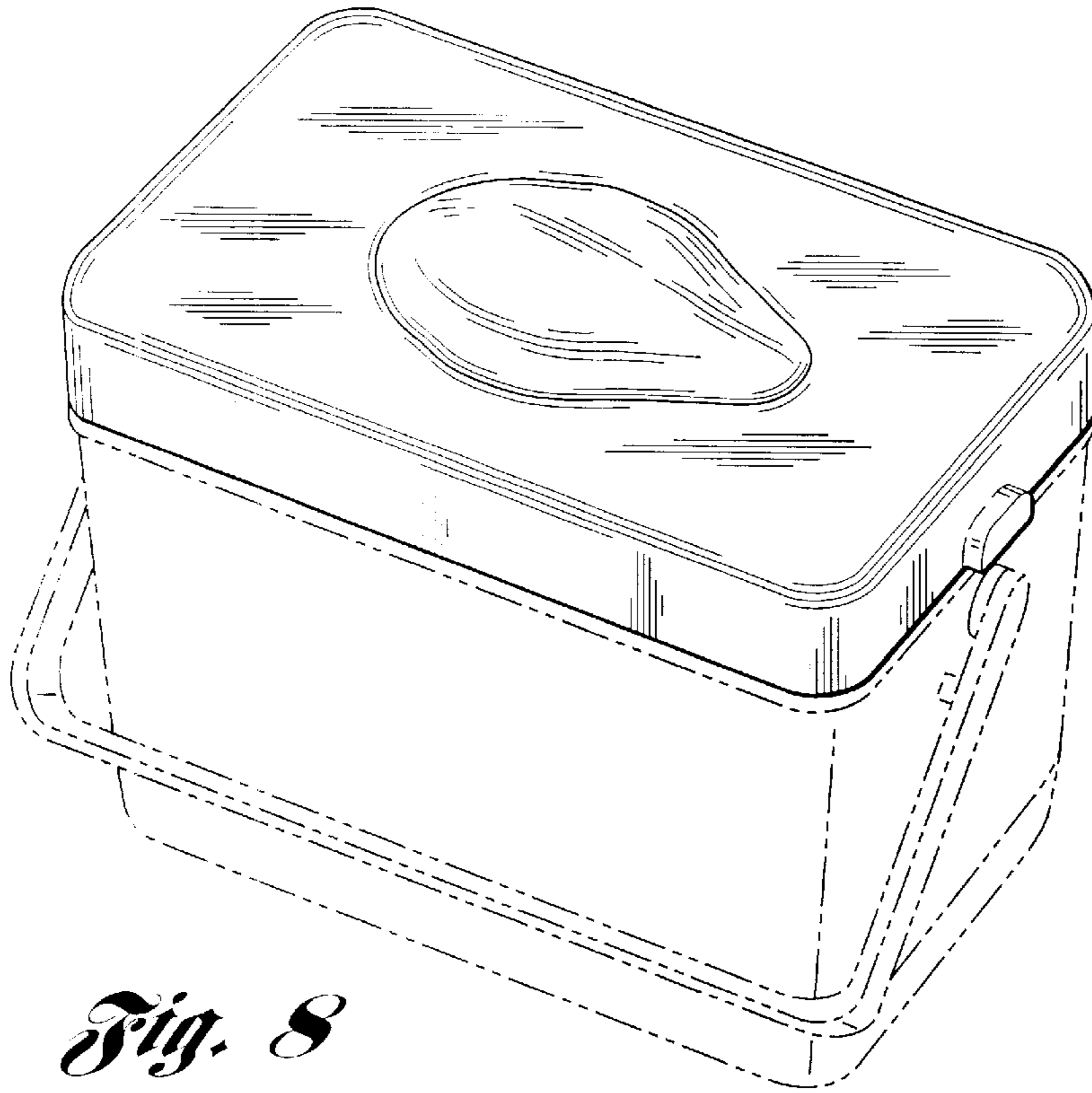


Fig. 8

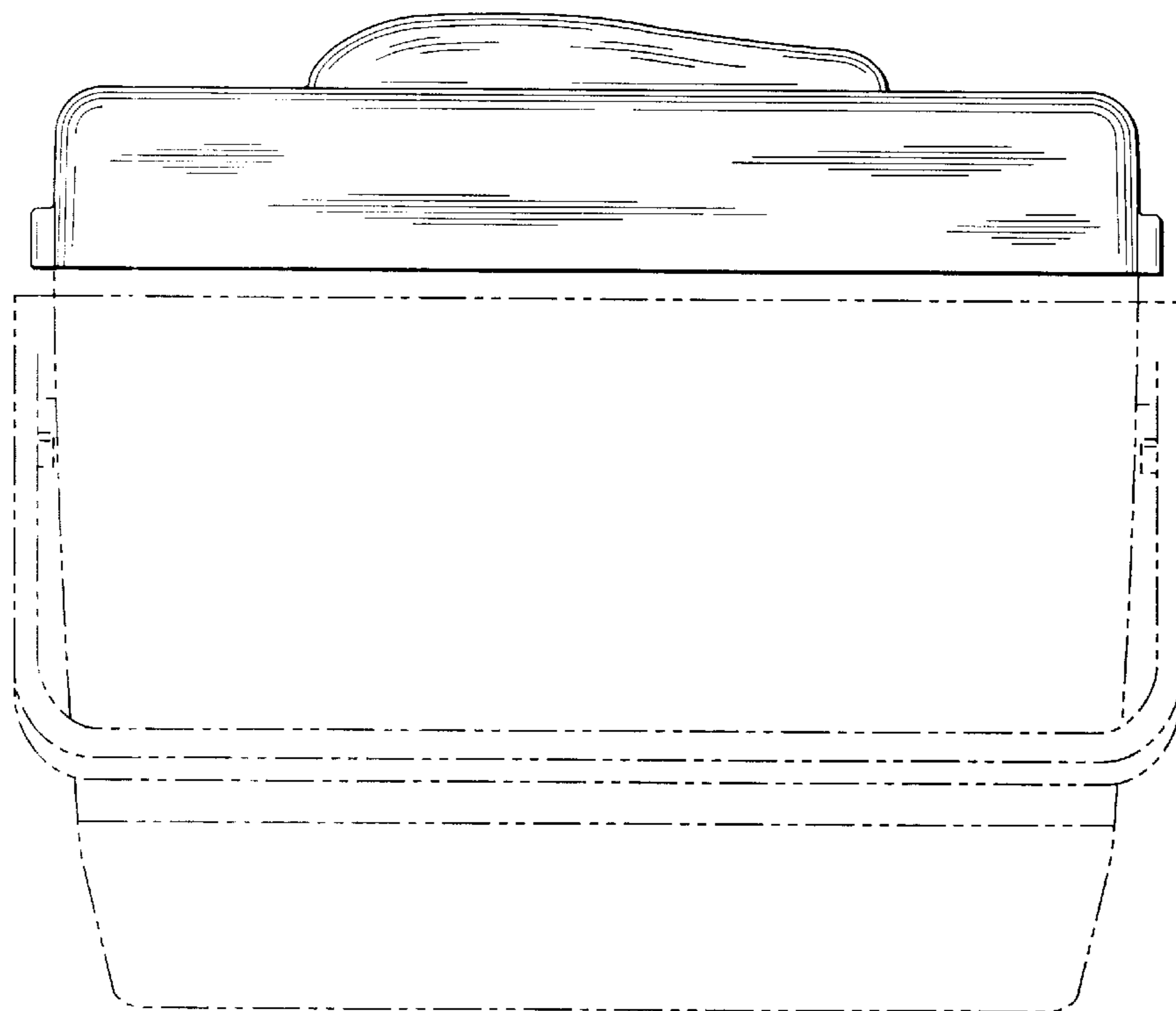


Fig. 9

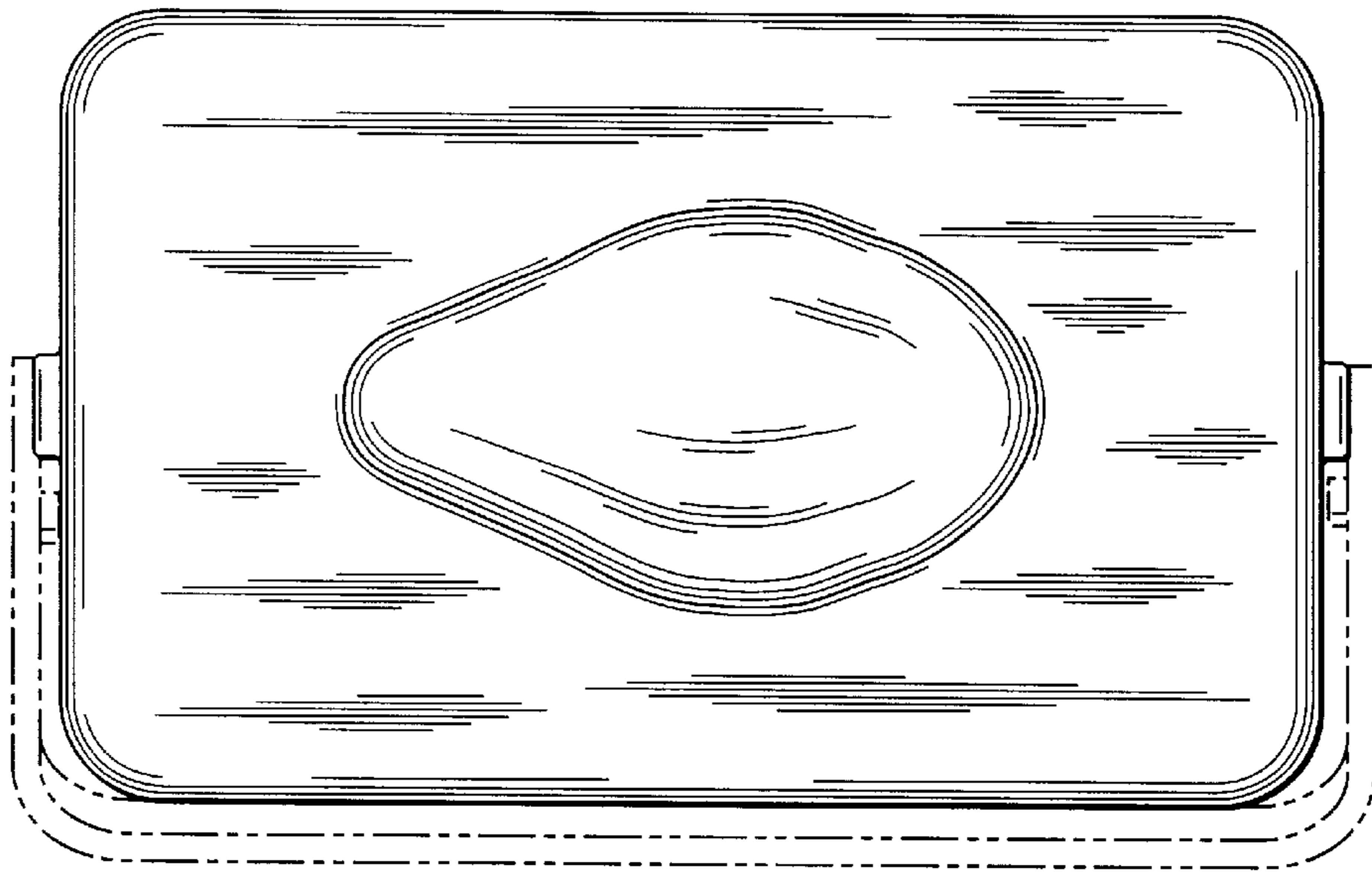


Fig. 10

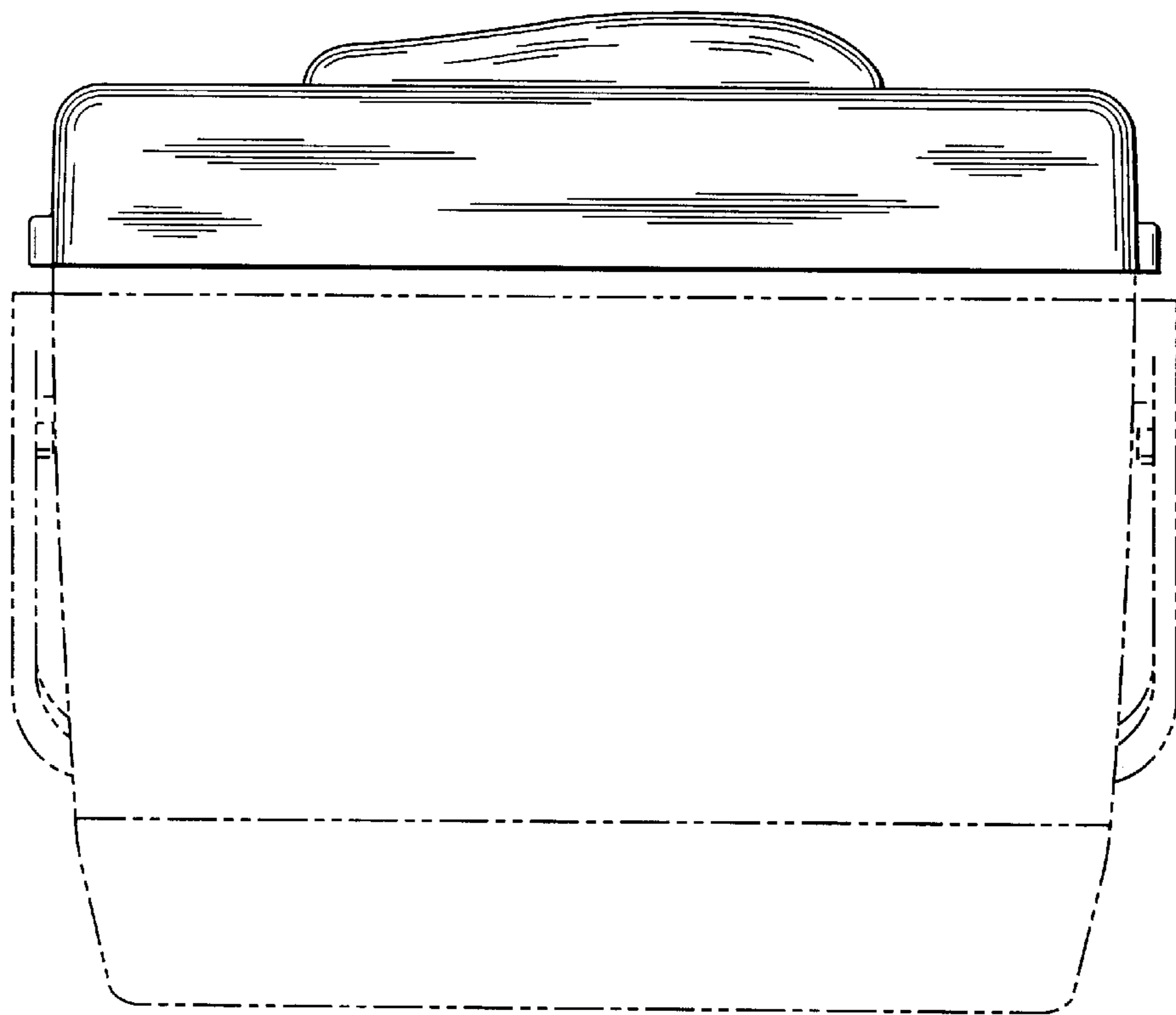


Fig. 11

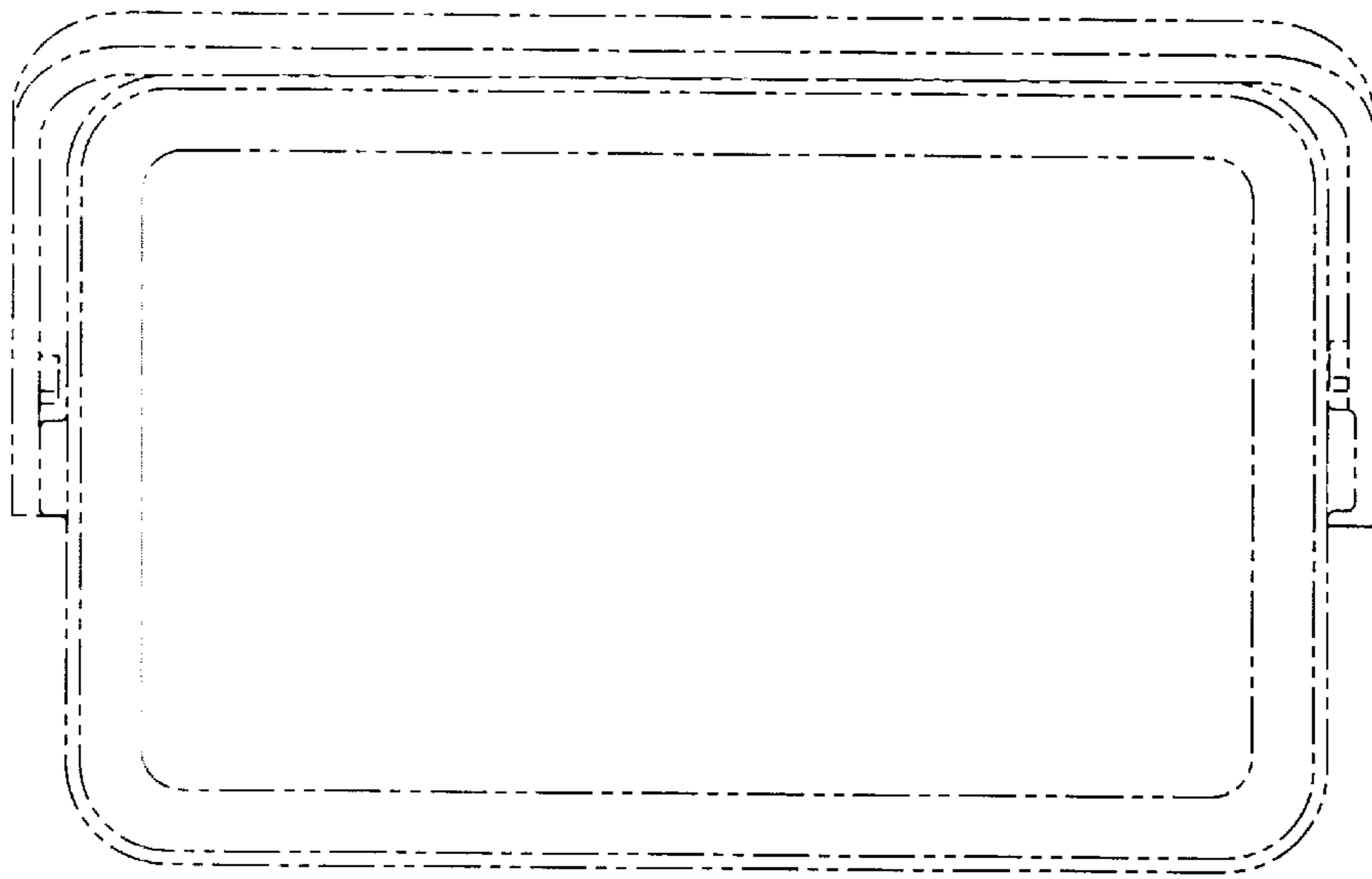


Fig. 12

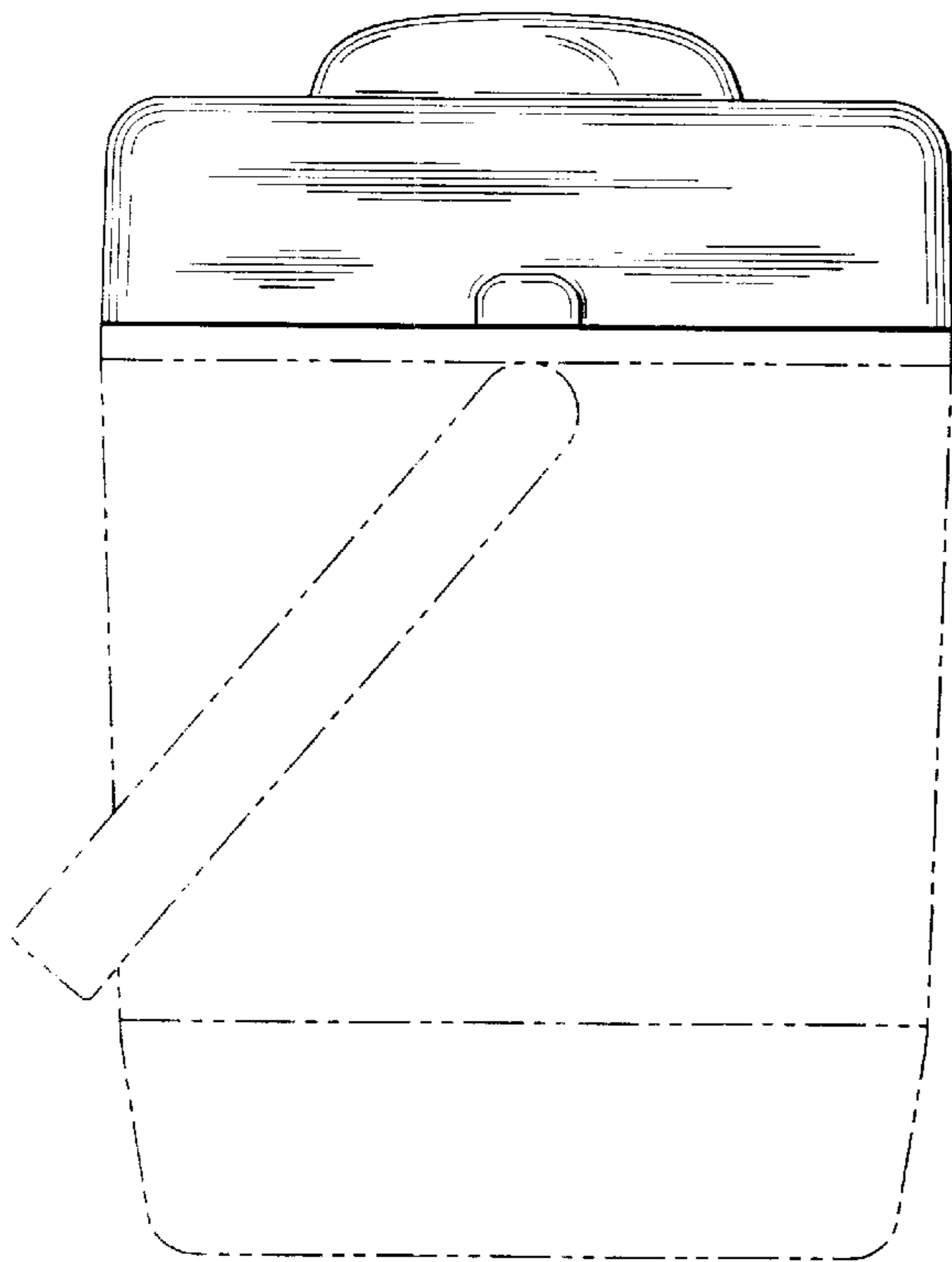


Fig. 13

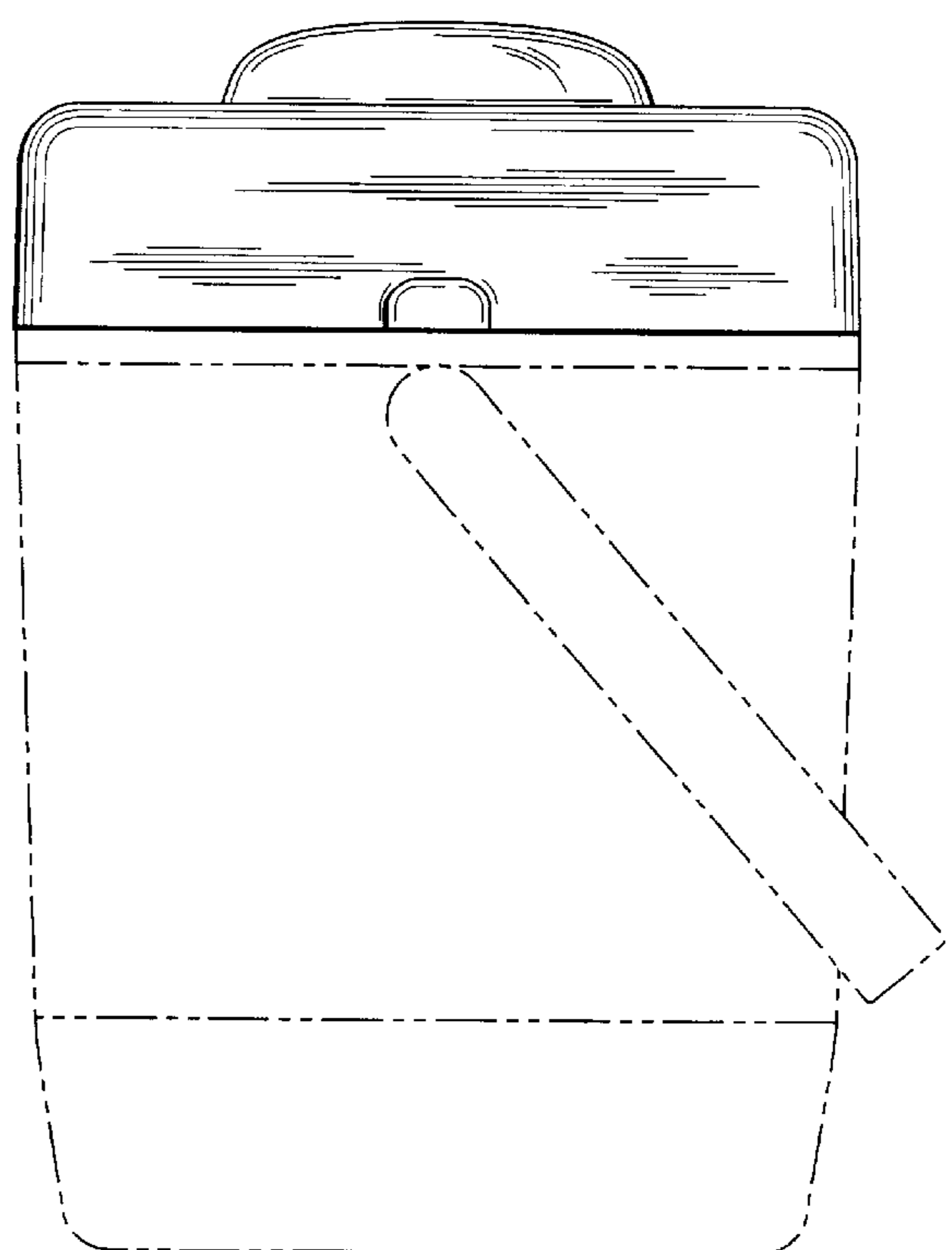


Fig. 14