



US00D471768S

(12) **United States Design Patent**
Morgan

(10) **Patent No.:** **US D471,768 S**

(45) **Date of Patent:** **** Mar. 18, 2003**

(54) **NESTING STORAGE RACK FOR POTS,
PANS AND LIDS**

D364,074 S * 11/1995 Yeh D7/637
5,664,691 A * 9/1997 Boivin-Paradis 211/184
6,161,708 A * 12/2000 Myler 211/41.11 X

(76) **Inventor:** **Fletcher Morgan**, 4990 Coquina Key
Dr., SE., St. Petersburg, FL (US) 33705

* cited by examiner

(**) **Term:** **14 Years**

Primary Examiner—Terry A. Wallace
(74) *Attorney, Agent, or Firm*—John S. Hale; Gipple &
Hale

(21) **Appl. No.:** **29/156,657**

(22) **Filed:** **Mar. 6, 2002**

(57) **CLAIM**

(51) **LOC (7) Cl.** **06-04**

The ornamental design for a nesting storage rack for pots,
pans and lids, as shown and described.

(52) **U.S. Cl.** **D7/601; D7/704**

(58) **Field of Search** D7/701–708, 601,
D7/637–641; D6/462, 491, 396, 449, 457,
458, 466; 211/41.11, 103, 106, 90.02, 181.1,
184; 312/294, 334.8, 128–136

DESCRIPTION

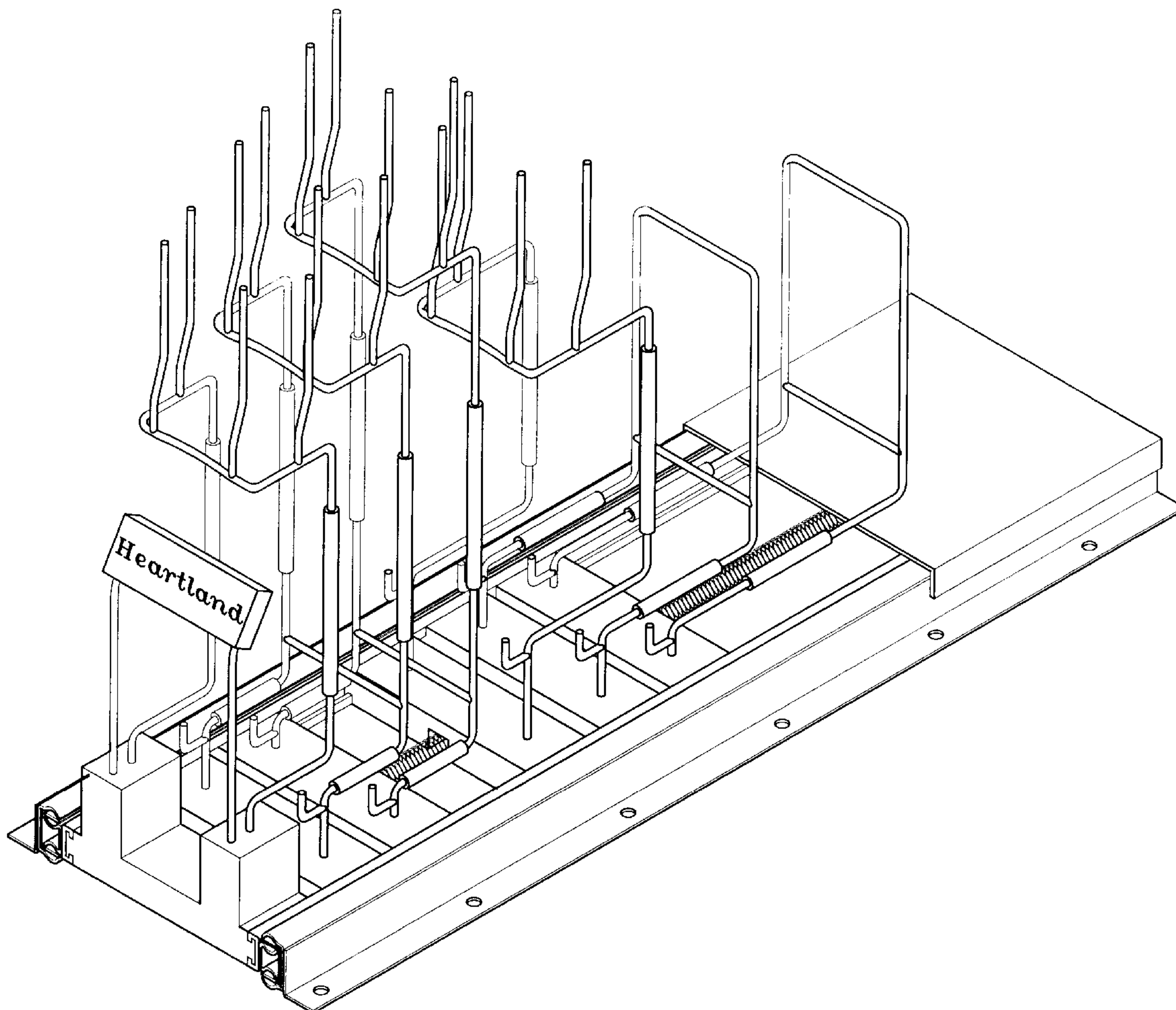
(56) **References Cited**

U.S. PATENT DOCUMENTS

1,065,000 A * 6/1913 Sarter et al. 211/41.11
4,592,471 A * 6/1986 Bross 211/41.2
4,969,560 A * 11/1990 Stanfield 211/41.2

FIG. 1 is a front perspective view of the nesting storage rack
for pots, pans and lids showing my new design;
FIG. 2 is a right side elevational view thereof;
FIG. 3 is a rotated left side elevational view thereof;
FIG. 4 is a front elevational view thereof;
FIG. 5 is a rear elevational view thereof;
FIG. 6 is a top plan view thereof; and,
FIG. 7 is a bottom plan view thereof.

1 Claim, 5 Drawing Sheets



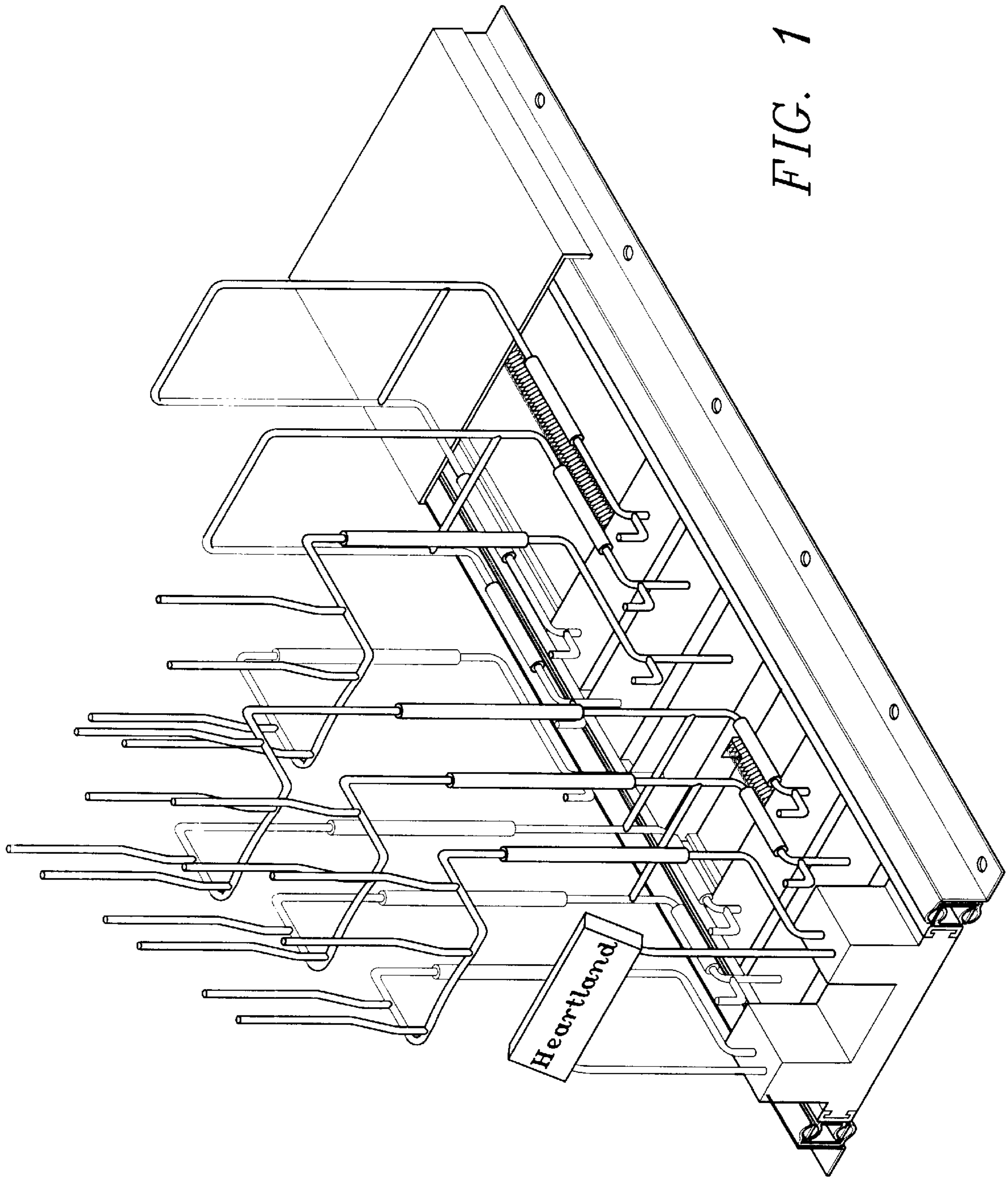
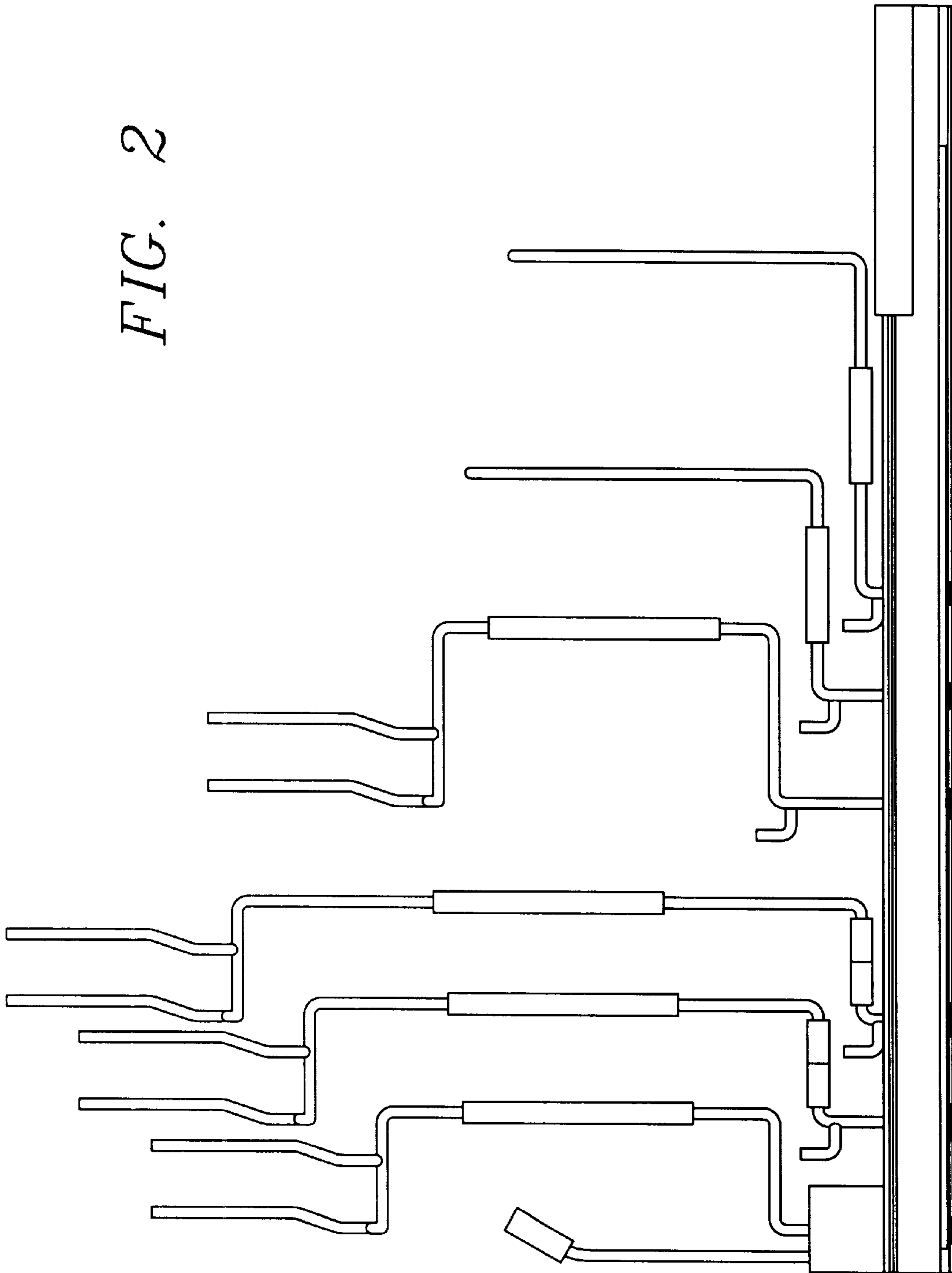


FIG. 1

FIG. 2



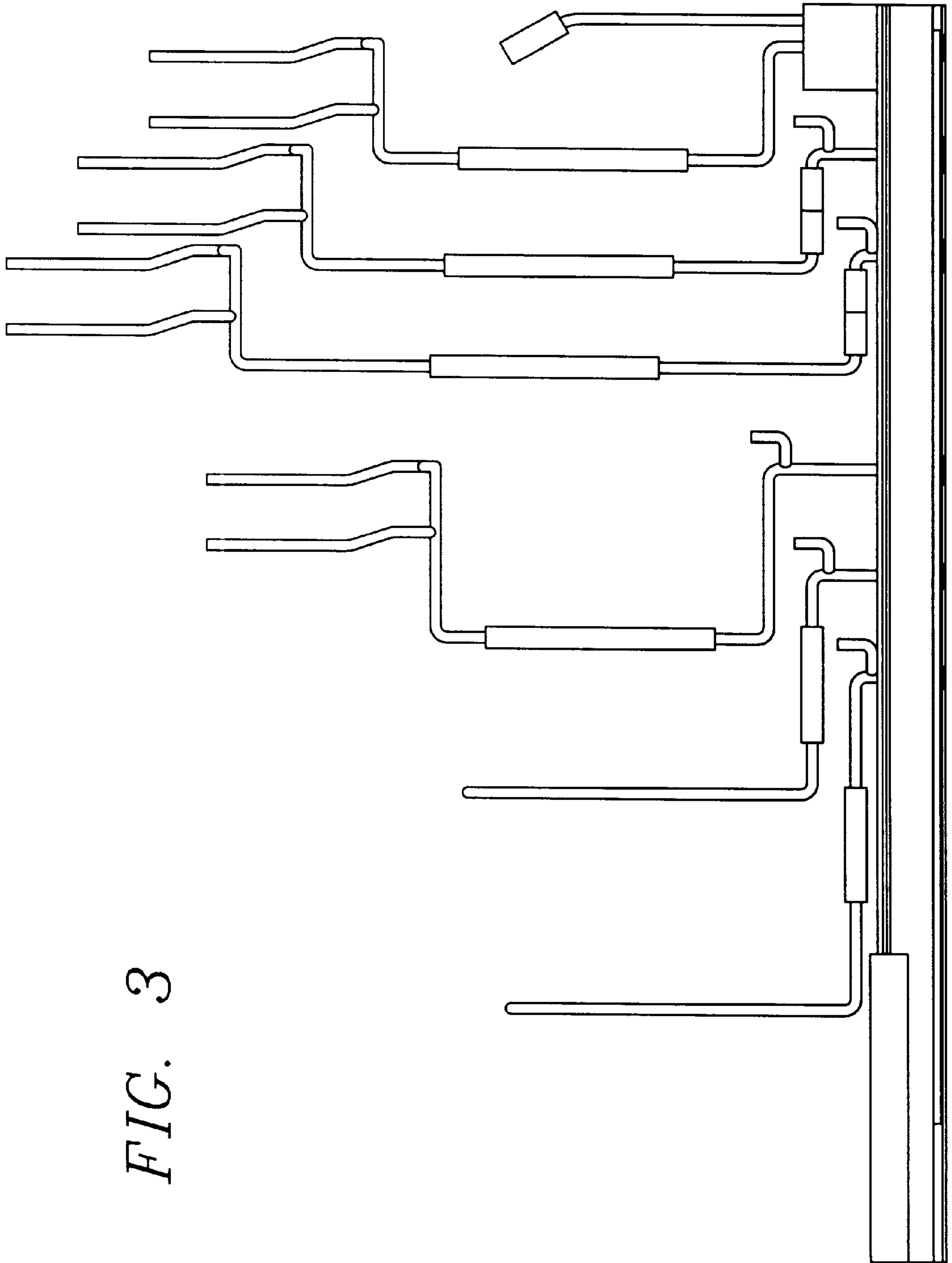


FIG. 3

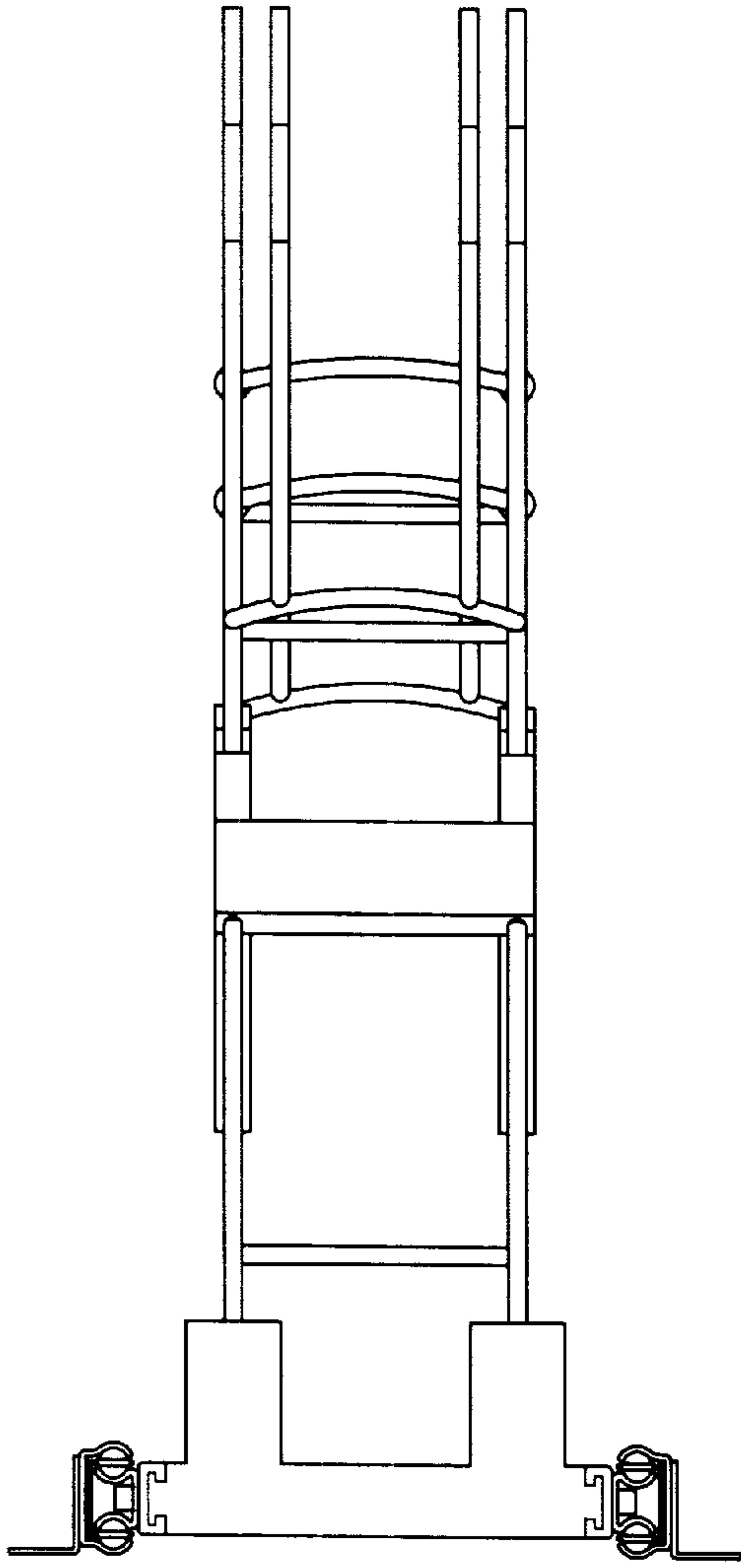


FIG. 4

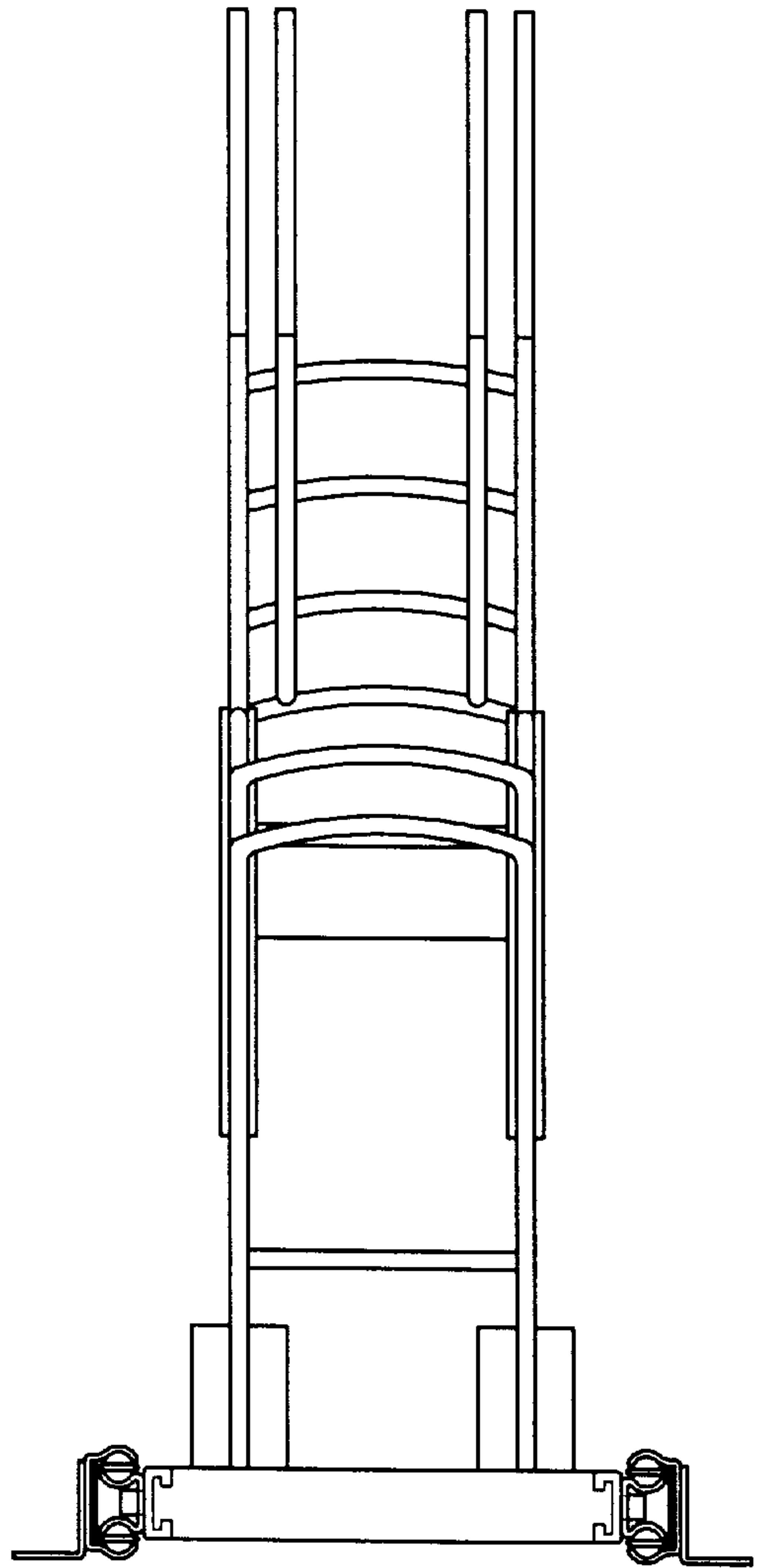


FIG. 5

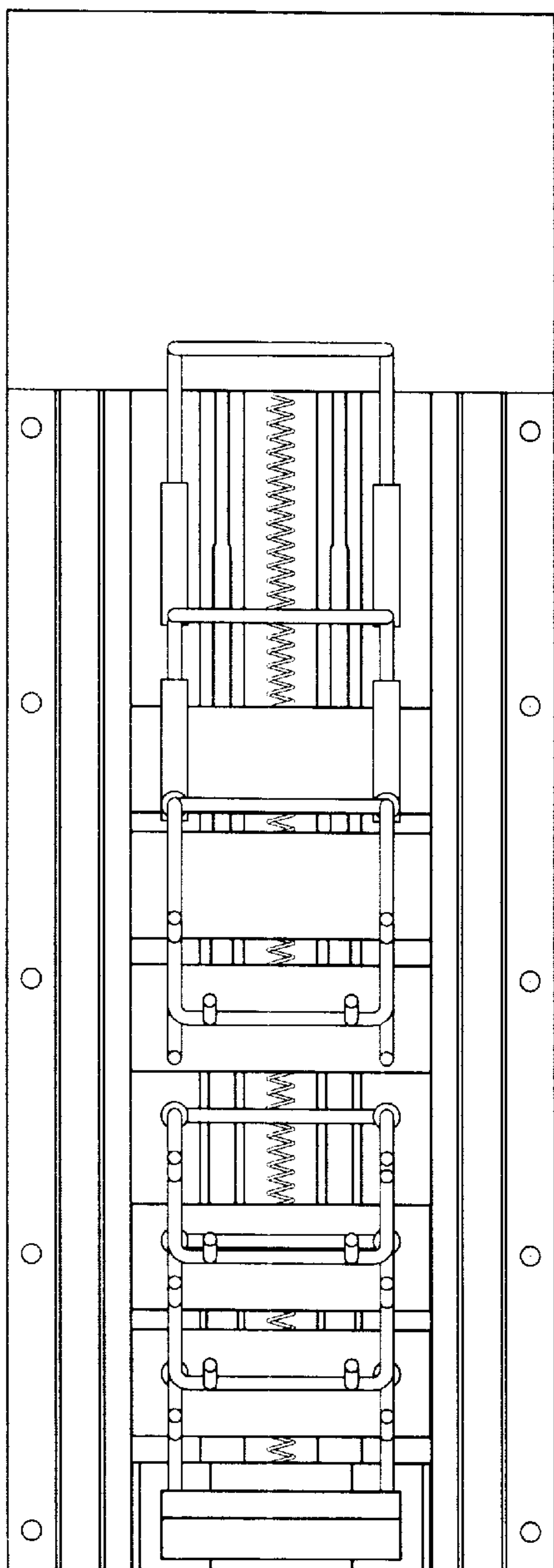


FIG. 6

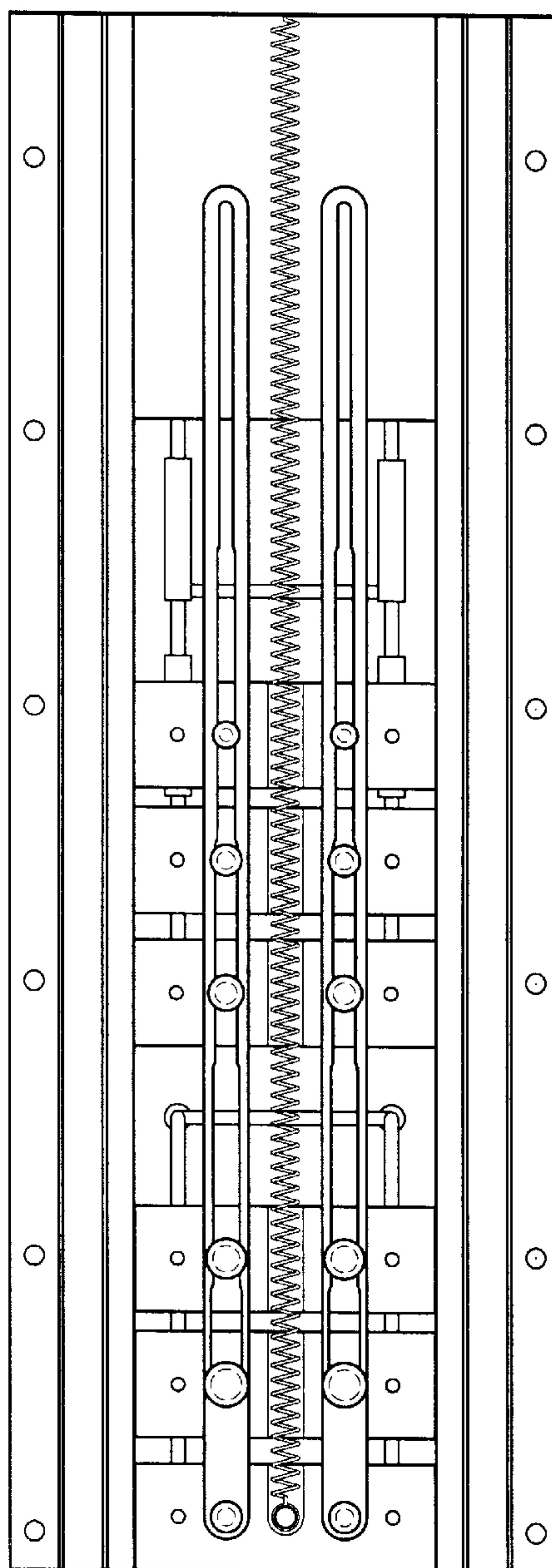


FIG. 7