



US00D471767S

(12) **United States Design Patent**  
**Ucar Cortes et al.**

(10) **Patent No.: US D471,767 S**

(45) **Date of Patent: \*\* Mar. 18, 2003**

(54) **CONTAINER FOR LIQUIDS**

(76) Inventors: **Jose Javier Ucar Cortes**, Valle de Baztán, 16. Colonia Argaray, 31014 Pamplona (ES); **Miguel Ucar Cortes**, Valle de Baztán, 16. Colonia Argaray., 31014 Pamplona (ES); **Sandra Ucar Cortes**, Valle de Baztán, 16. Colonia Argaray., 31004 Pamplona (ES); **Maria Teresa Ucar Cortes**, Valle de Baztán, 16. Colonia Argaray., 31004 Pamplona (ES); **Maria Teresa Cortes Senosiain**, Valle de Baztán, 16. Colonia Argaray., 31004 Pamplona (ES)

(\*\*) Term: **14 Years**

(21) Appl. No.: **29/157,572**

(22) Filed: **Mar. 22, 2002**

(30) **Foreign Application Priority Data**

Sep. 28, 2001 (ES) ..... 152387

(51) **LOC (7) Cl.** ..... **07-06**

(52) **U.S. Cl.** ..... **D7/598; D9/502; D9/503**

(58) **Field of Search** ..... D7/523, 528, 510, D7/511, 300.1, 500, 502, 503, 505, 509, 516, 530, 537, 538, 541, 542, 544, 545, 549, 556, 557, 570; 215/381-384, 6, 387, 390, 396, 398, 400, 361; 206/780; 229/4.5; D9/300, 446

(56) **References Cited**

**U.S. PATENT DOCUMENTS**

279,216 A \* 6/1883 Berlein ..... 215/6  
343,646 A \* 6/1886 Morehouse ..... 215/361

524,159 A	*	8/1894	Birnbaum	.....	215/306 X
D124,880 S	*	1/1941	Teunisz	.....	D9/500
D137,943 S	*	5/1944	Schlumbohm	.....	D7/318
D180,670 S	*	7/1957	Prisland	.....	D9/541
D194,132 S	*	11/1962	Countryman	.....	D9/542
3,263,871 A	*	8/1966	Thompson	.....	D9/300 X
3,437,193 A	*	4/1969	Freeman	.....	D9/501 X
D214,831 S	*	8/1969	Lomont et al.	.....	D7/598
D221,622 S	*	8/1971	Vanderhyde	.....	D9/542
3,739,932 A	*	6/1973	Westover	.....	215/396
D284,421 S	*	7/1986	Siris	.....	D9/529 X
D342,449 S	*	12/1993	Mattheis	.....	D9/446
D377,146 S	*	1/1997	Schmidiger	.....	D9/499
D413,262 S	*	8/1999	Cardinaletti	.....	D9/439
D426,047 S	*	6/2000	Kurtz et al.	.....	D1/105

\* cited by examiner

*Primary Examiner*—Ted Shooman

*Assistant Examiner*—Carol Rademaker

(74) *Attorney, Agent, or Firm*—Nath & Associates PLLC; Gary M. Nath; Marvin C. Berkowitz

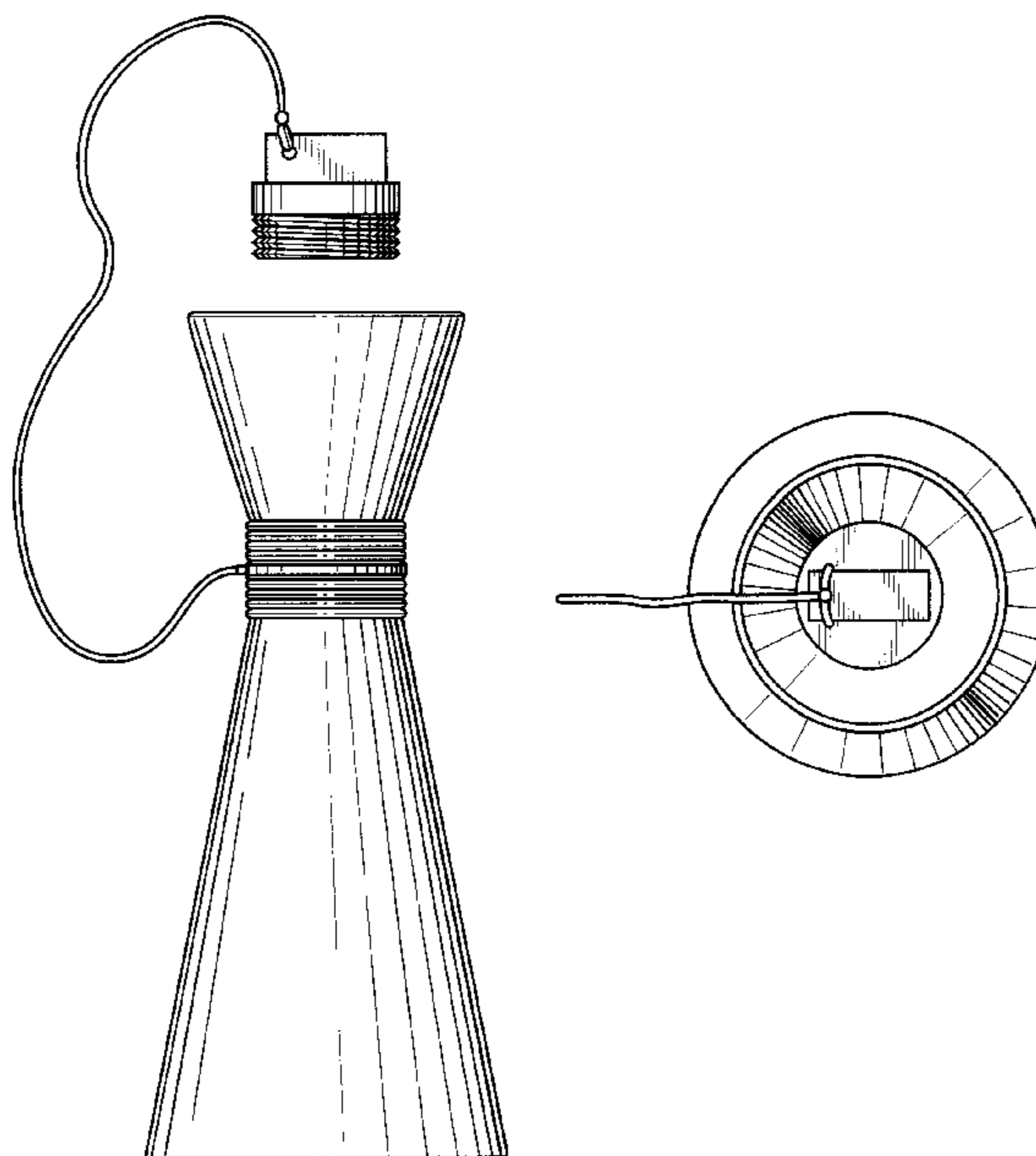
(57) **CLAIM**

The ornamental design for a container for liquids, as shown and described.

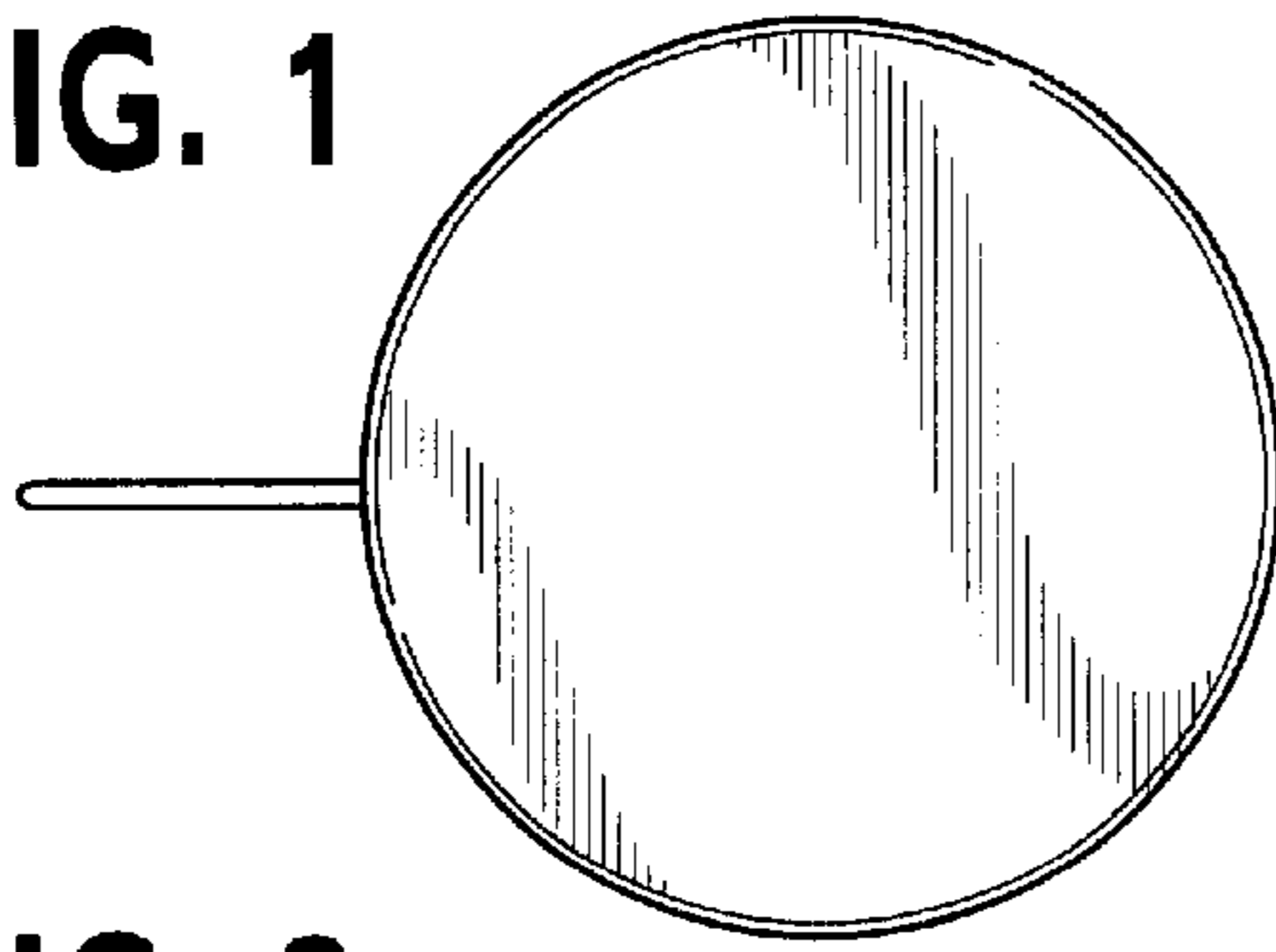
**DESCRIPTION**

FIG. 1 is an underneath view of the container for liquids; FIG. 2 is a front view of the container for liquids; FIG. 3 is a left side view of the container for liquids; FIG. 4 is a top view of the container for liquids; FIG. 5 is a rear view of the container for liquids; FIG. 6 is a right side view of the container for liquids; and, FIG. 7 is a half section front view with inserted stopper in the container for liquids.

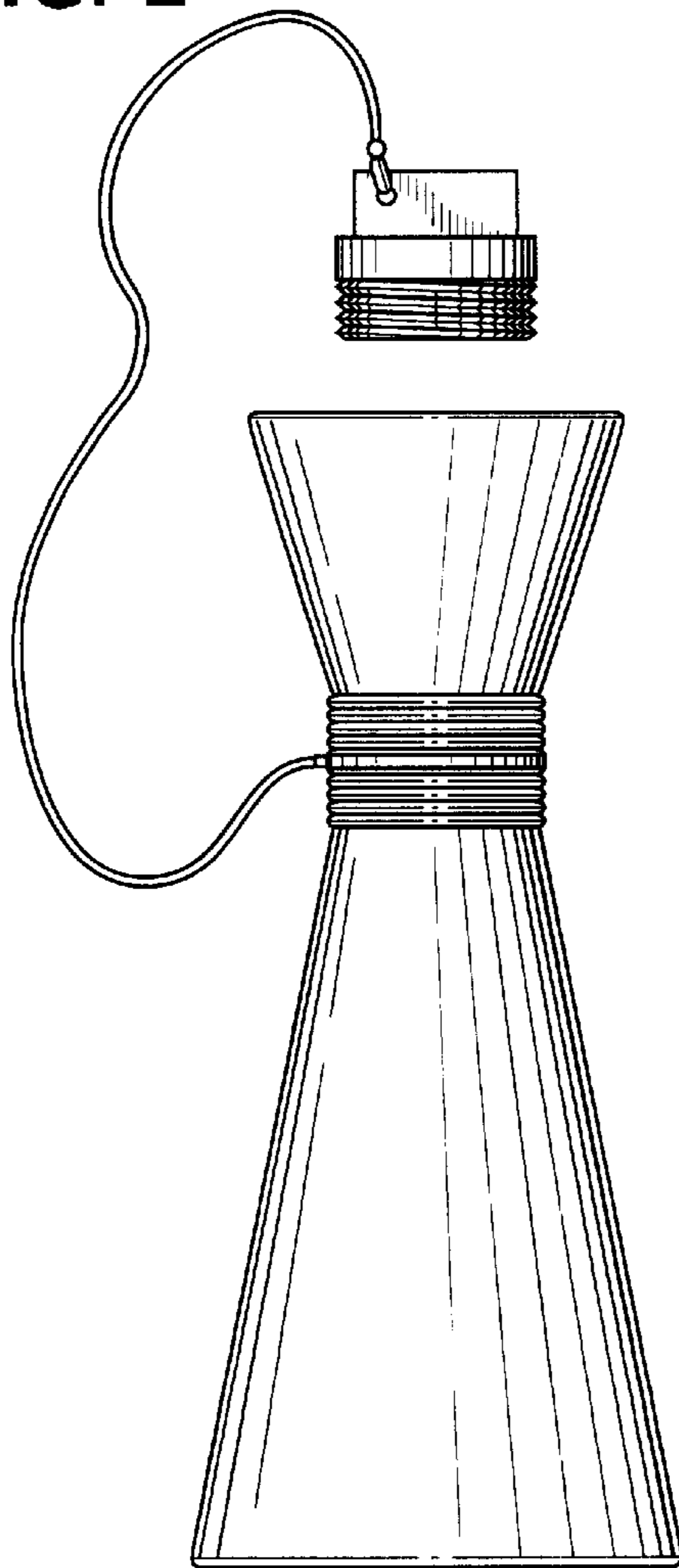
**1 Claim, 3 Drawing Sheets**



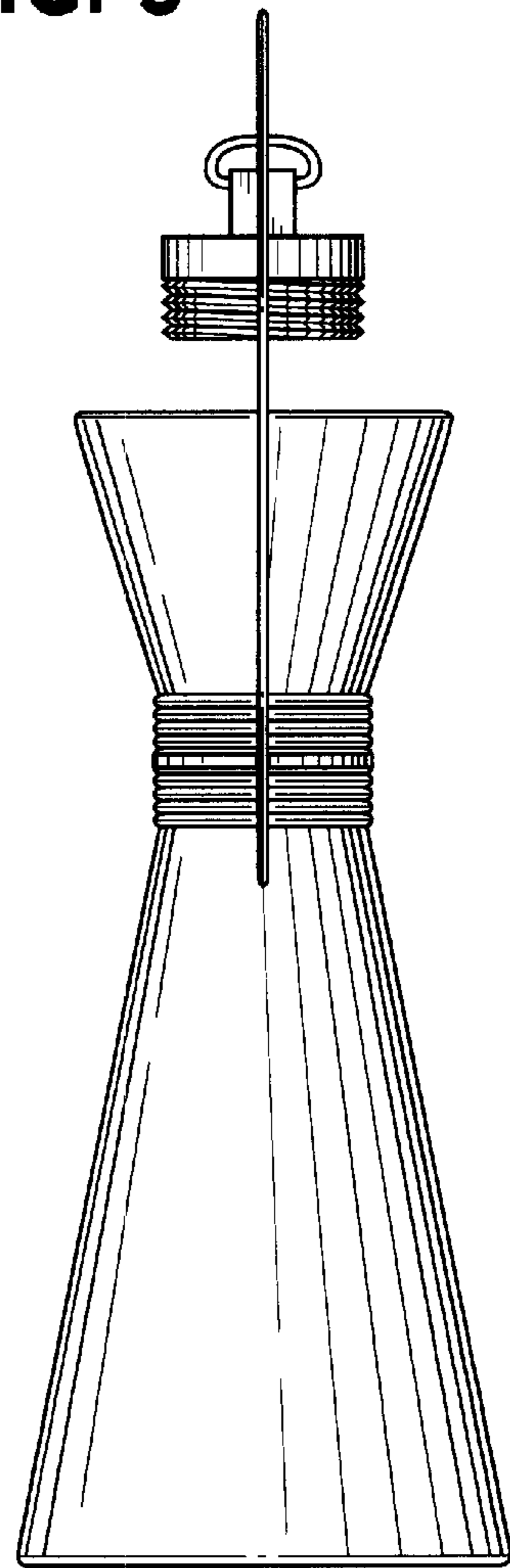
**FIG. 1**



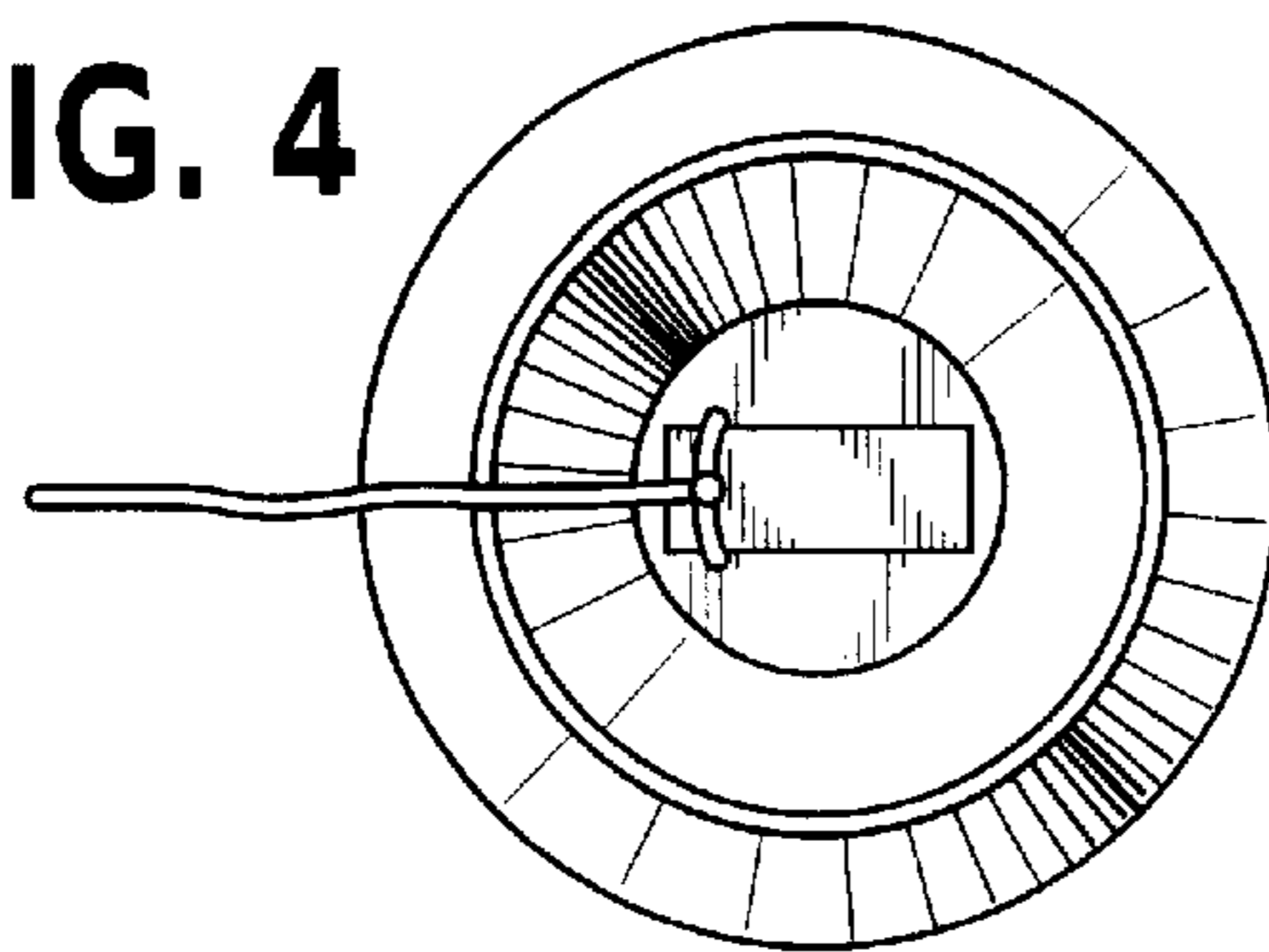
**FIG. 2**



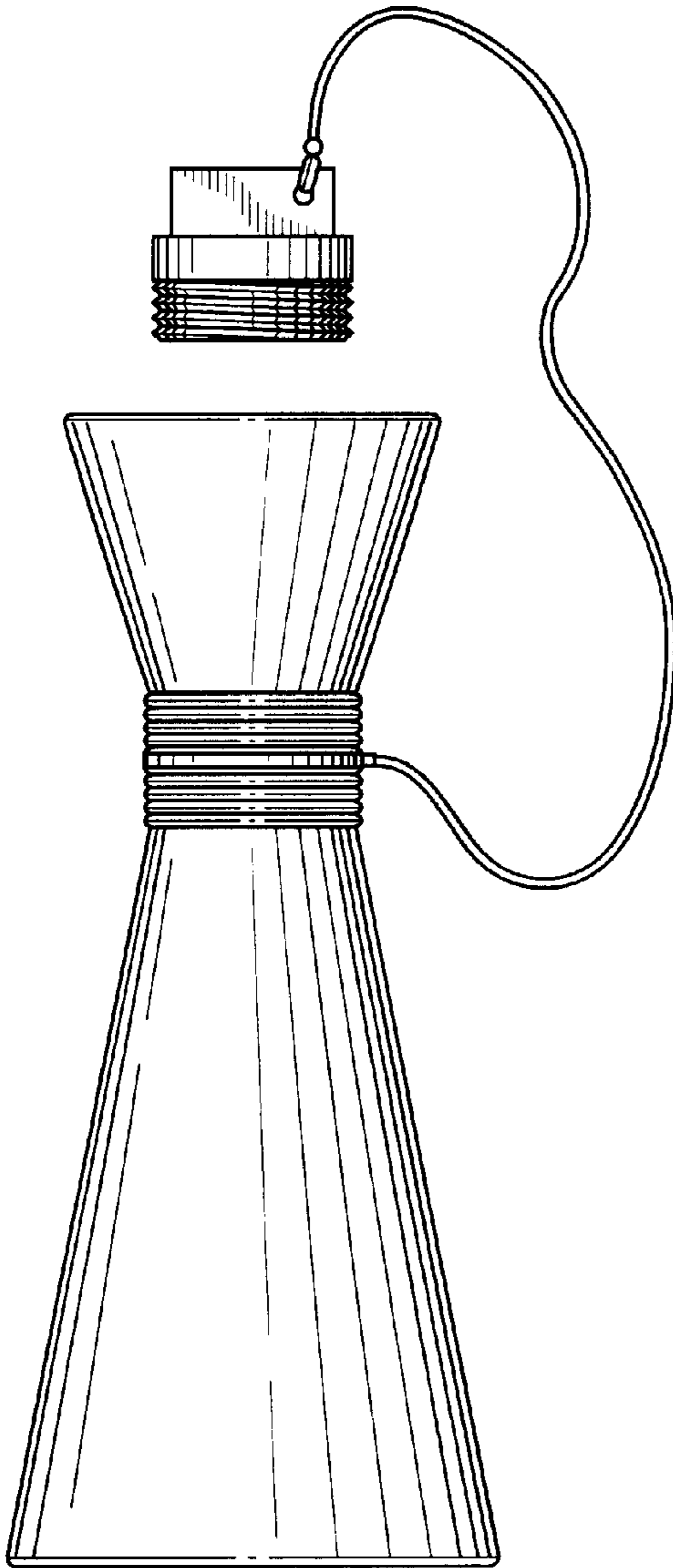
**FIG. 3**



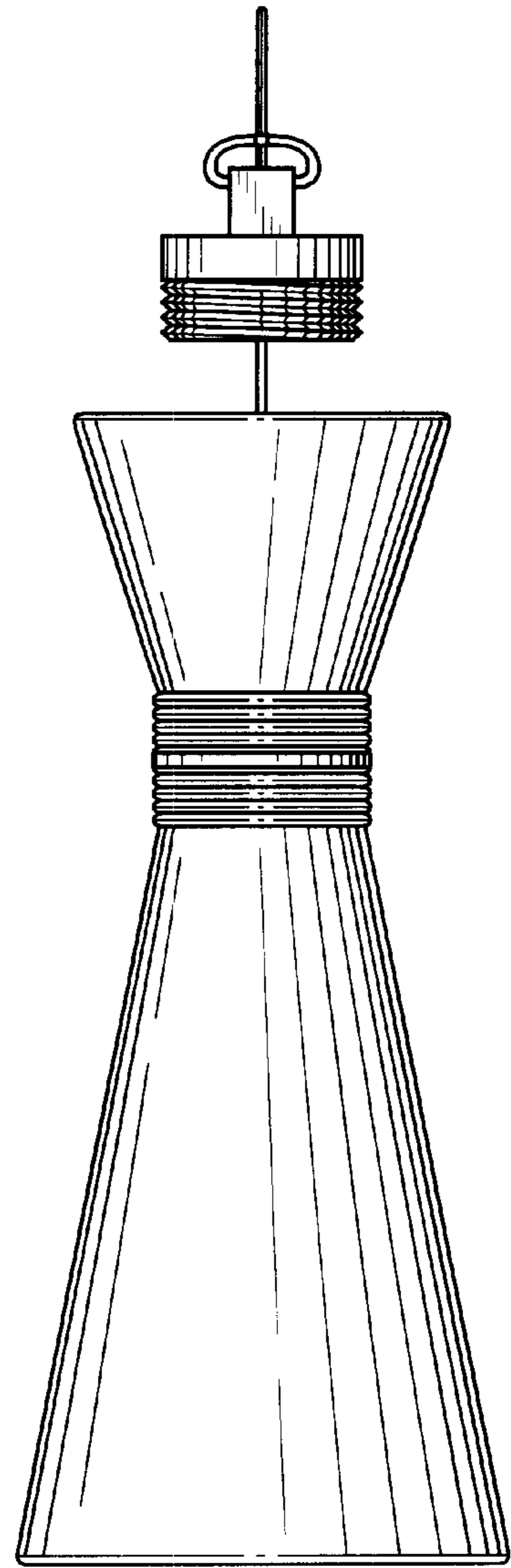
**FIG. 4**



**FIG. 5**



**FIG. 6**



**FIG. 7**

