



US00D471766S

(12) **United States Design Patent**  
**Bradley et al.**

(10) **Patent No.:** **US D471,766 S**

(45) **Date of Patent:** **\*\* Mar. 18, 2003**

(54) **FOOD PACKAGE**

D436,500 S \* 1/2001 Kearney ..... D7/553.2  
D440,118 S \* 4/2001 Claffy et al. .... D7/553.1

(75) Inventors: **Scott Bradley**, Poynette, WI (US);  
**Daniel Doucette**, DeForest, WI (US)

\* cited by examiner

(73) Assignee: **Kraft Foods Holdings, Inc.**, Northfield,  
IL (US)

*Primary Examiner*—M. N. Pandozzi  
(74) *Attorney, Agent, or Firm*—Fitch, Even, Tabin, &  
Flannery

(\*\*) Term: **14 Years**

(57) **CLAIM**

(21) Appl. No.: **29/158,221**

We claim the ornamental design for a food package, as  
shown and described.

(22) Filed: **Mar. 29, 2002**

**DESCRIPTION**

(51) **LOC (7) Cl.** ..... **07-01**

(52) **U.S. Cl.** ..... **D7/553.2; D7/553.5; D7/549**

(58) **Field of Search** ..... D7/543, 545, 546,  
D7/549, 555, 553.1–553.8; 206/564; 220/575,  
574, 23.83; 229/407, 932; 294/159; D9/424,  
425, 432, 347, 341

FIG. 1 is a perspective view of a food package showing our  
new design;  
FIG. 2 is a top plan view of the food package of FIG. 1;  
FIG. 3 is a left side elevational view of the food package of  
FIG. 1;  
FIG. 4 is a right side elevational view of the food package  
of FIG. 1;  
FIG. 5 is a front elevational view of the food package of FIG.  
1;  
FIG. 6 is a rear elevational view of the food package of FIG.  
1; and,  
FIG. 7 is a bottom plan view of the food package of FIG. 1.  
The broken lines in the drawings showing a thin film seal  
member and back card member are for illustrative purposes  
only and form no part of the claimed design.

(56) **References Cited**

**U.S. PATENT DOCUMENTS**

- D276,201 S \* 11/1984 Wolff ..... D7/553.3
- D283,666 S \* 5/1986 Holzkopf ..... D7/553.2
- D338,808 S \* 8/1993 Anderson ..... D7/553.5
- D353,515 S \* 12/1994 Anderson ..... D7/553.5
- D376,296 S \* 12/1996 Dunn ..... D7/553.5
- D378,726 S \* 4/1997 Dunn ..... D7/549
- D420,855 S \* 2/2000 Hurley ..... D7/549
- D429,964 S \* 8/2000 Miller et al. .... D7/553.4

**1 Claim, 2 Drawing Sheets**

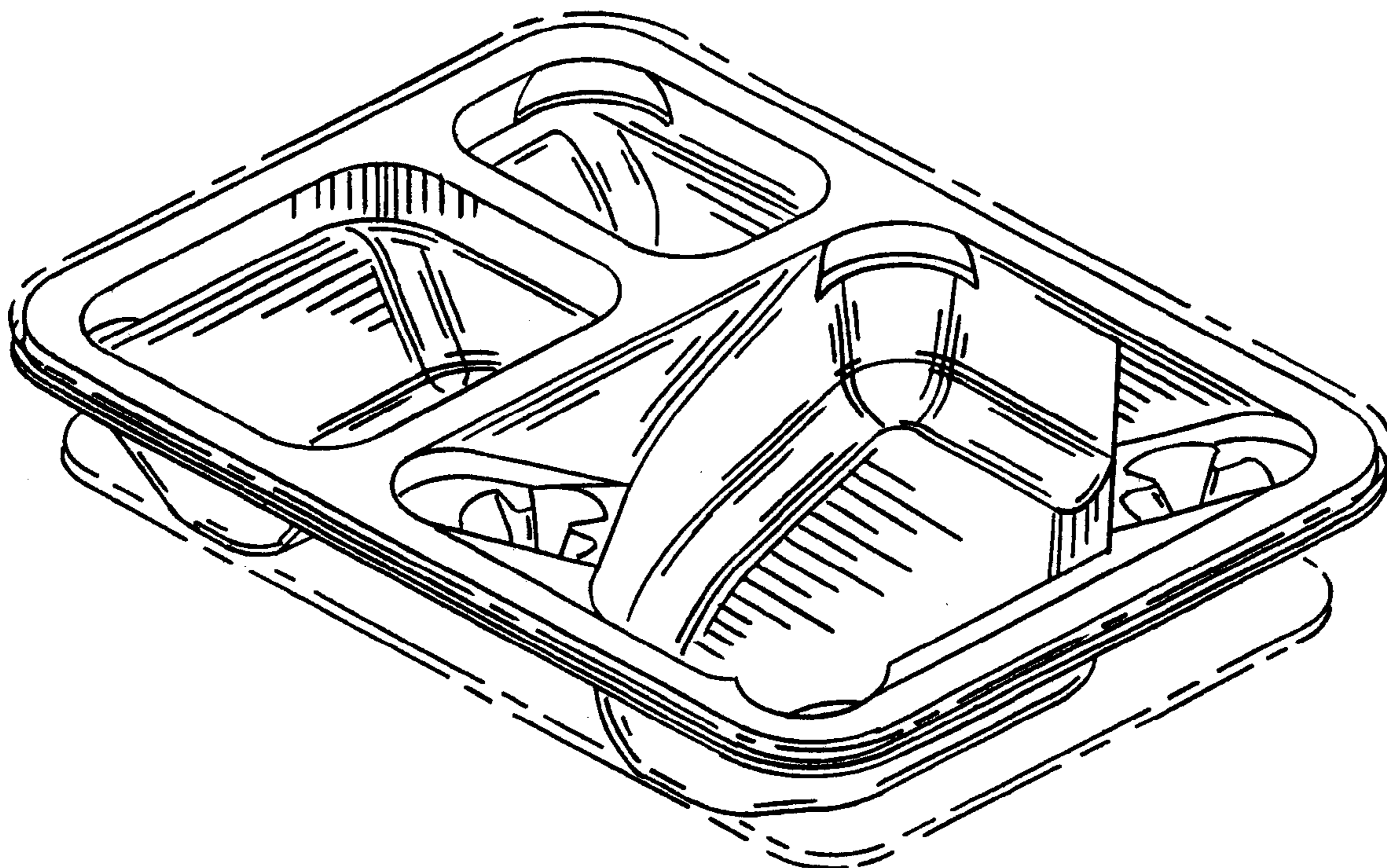


FIG. 1

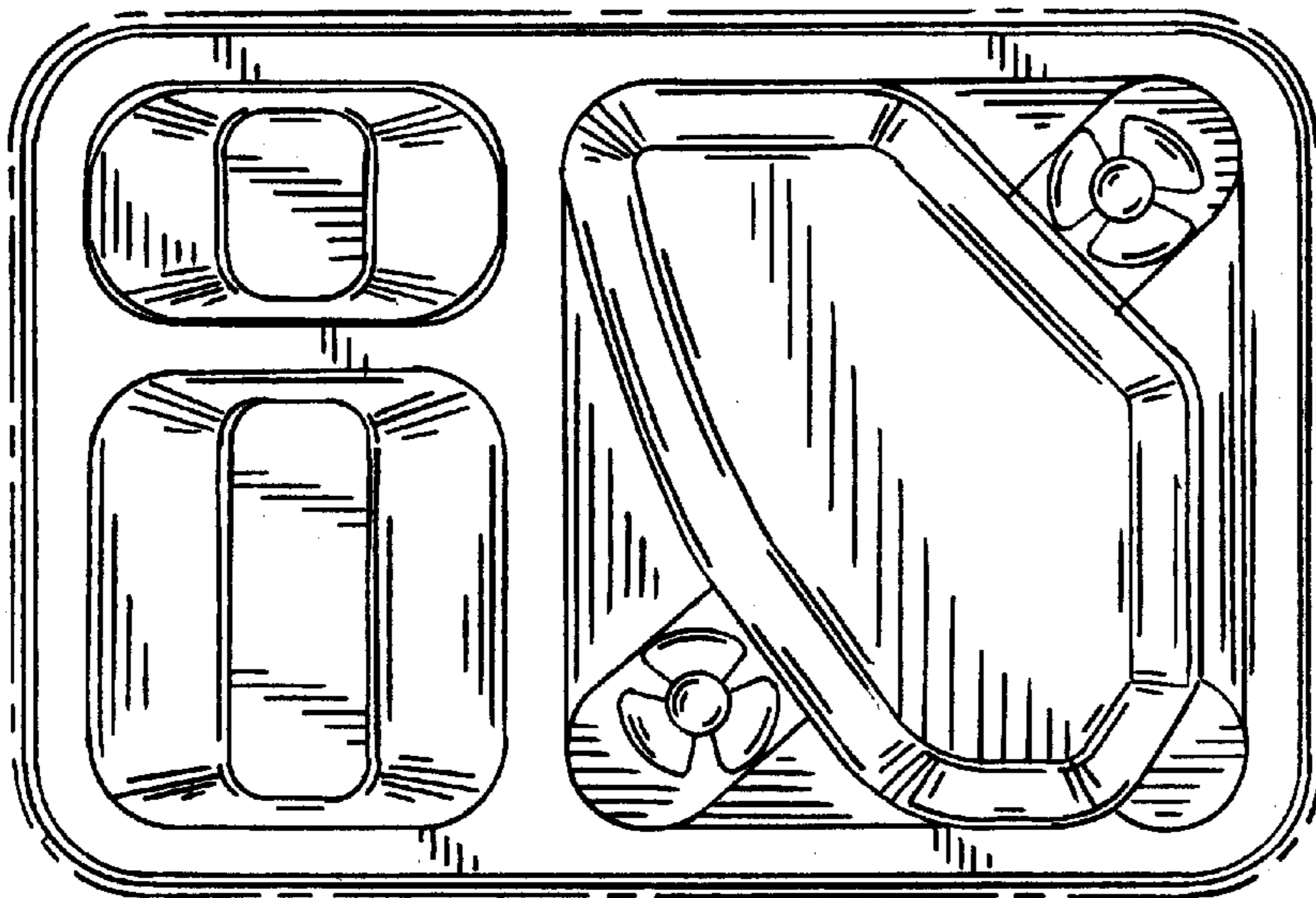
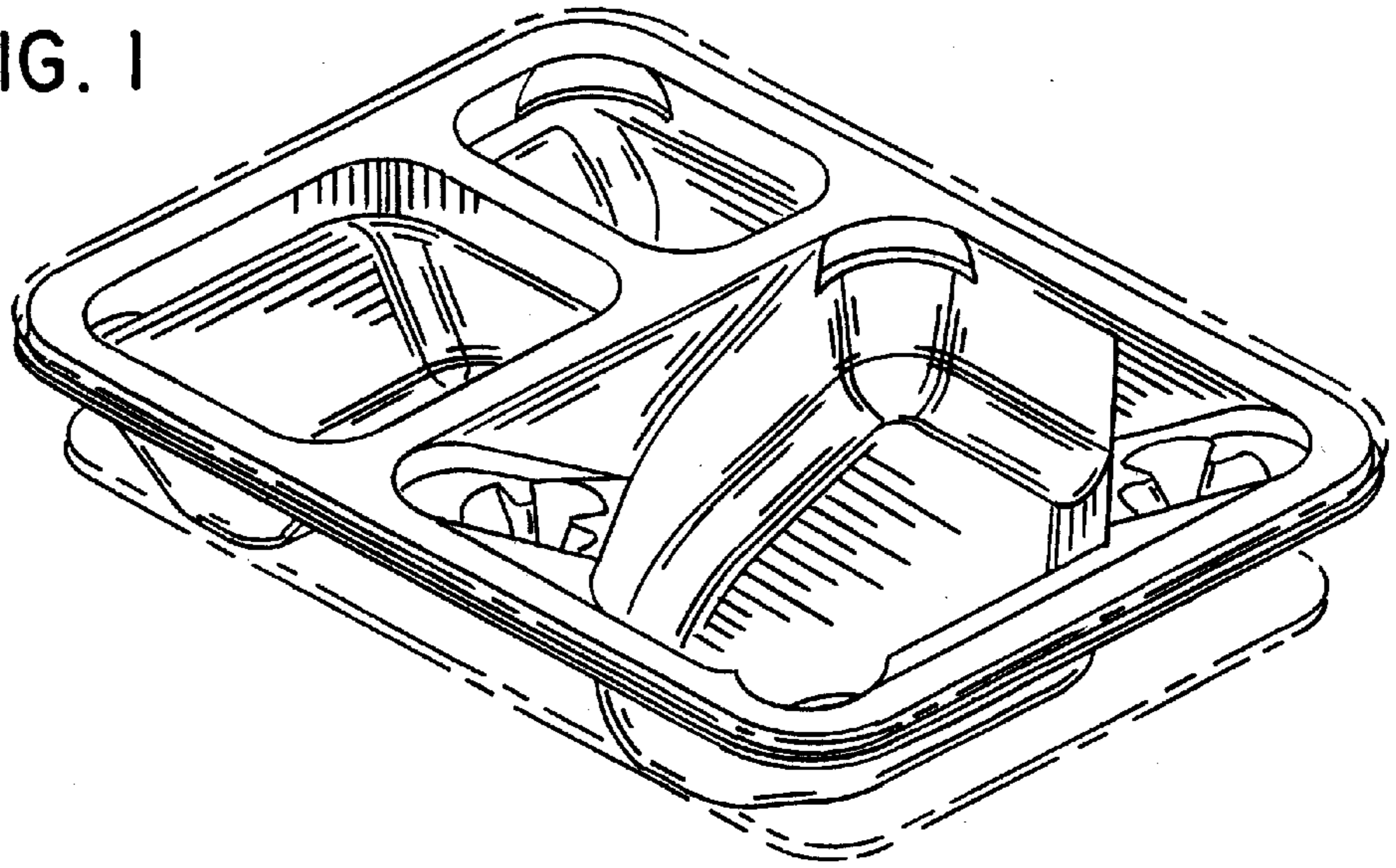


FIG. 2

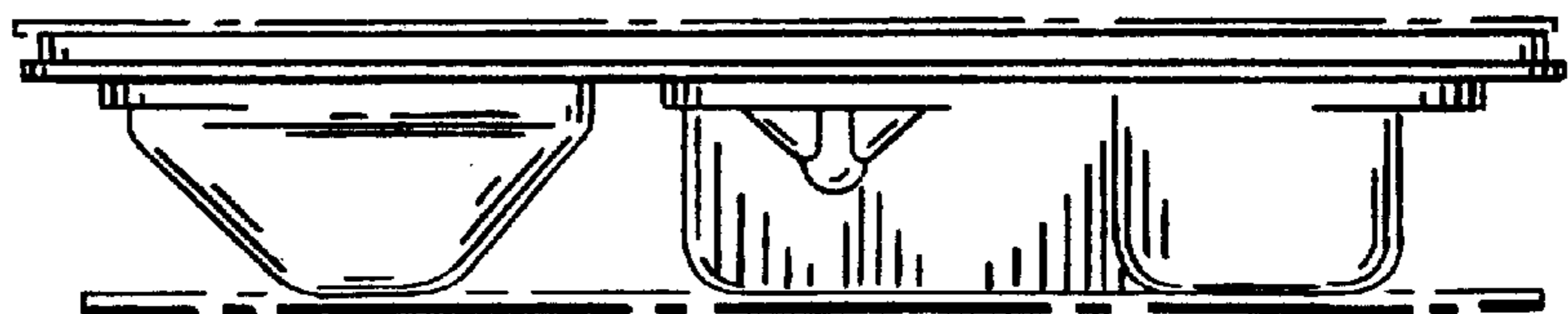


FIG. 3

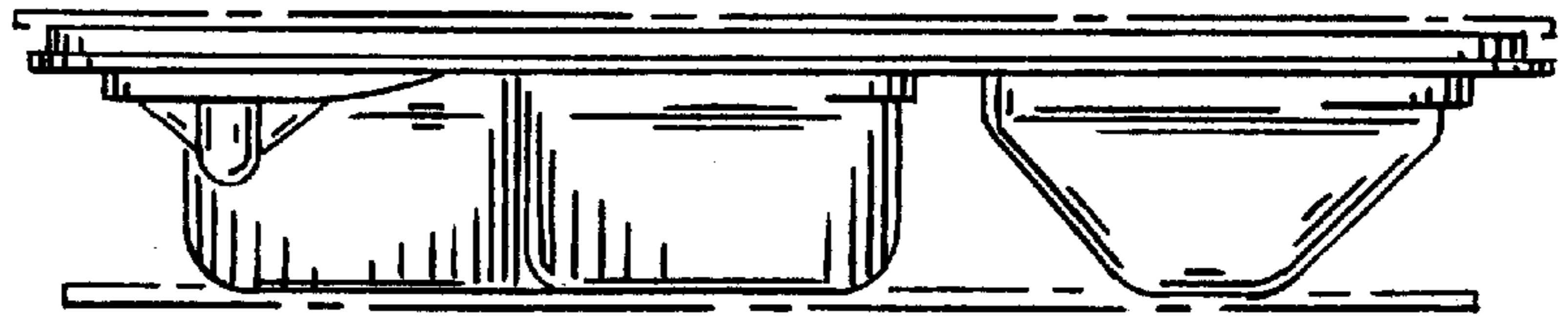


FIG. 4

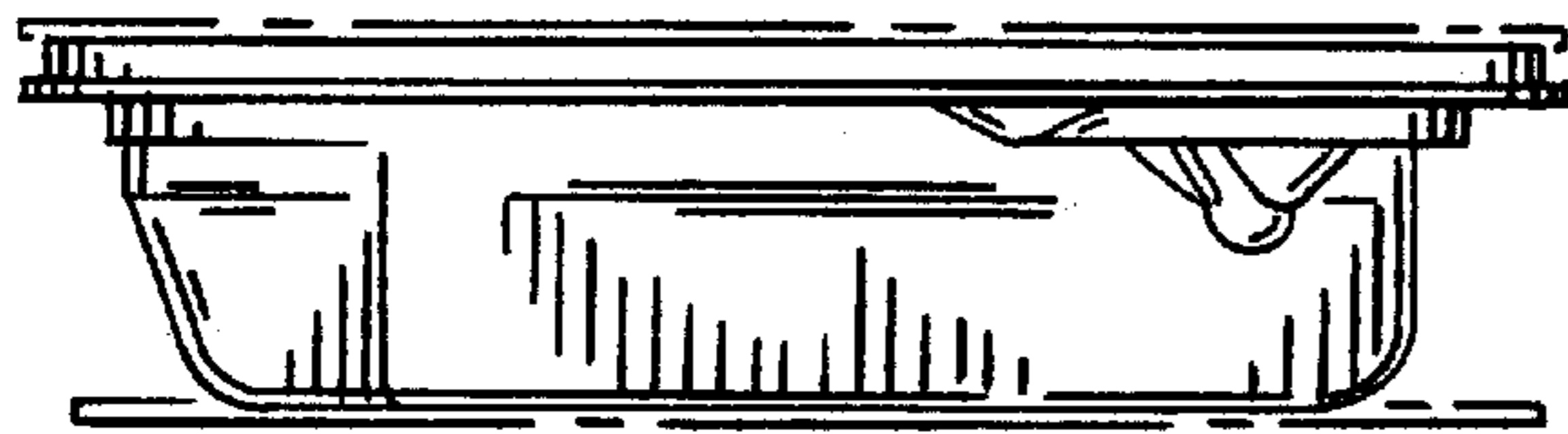


FIG. 5



FIG. 6

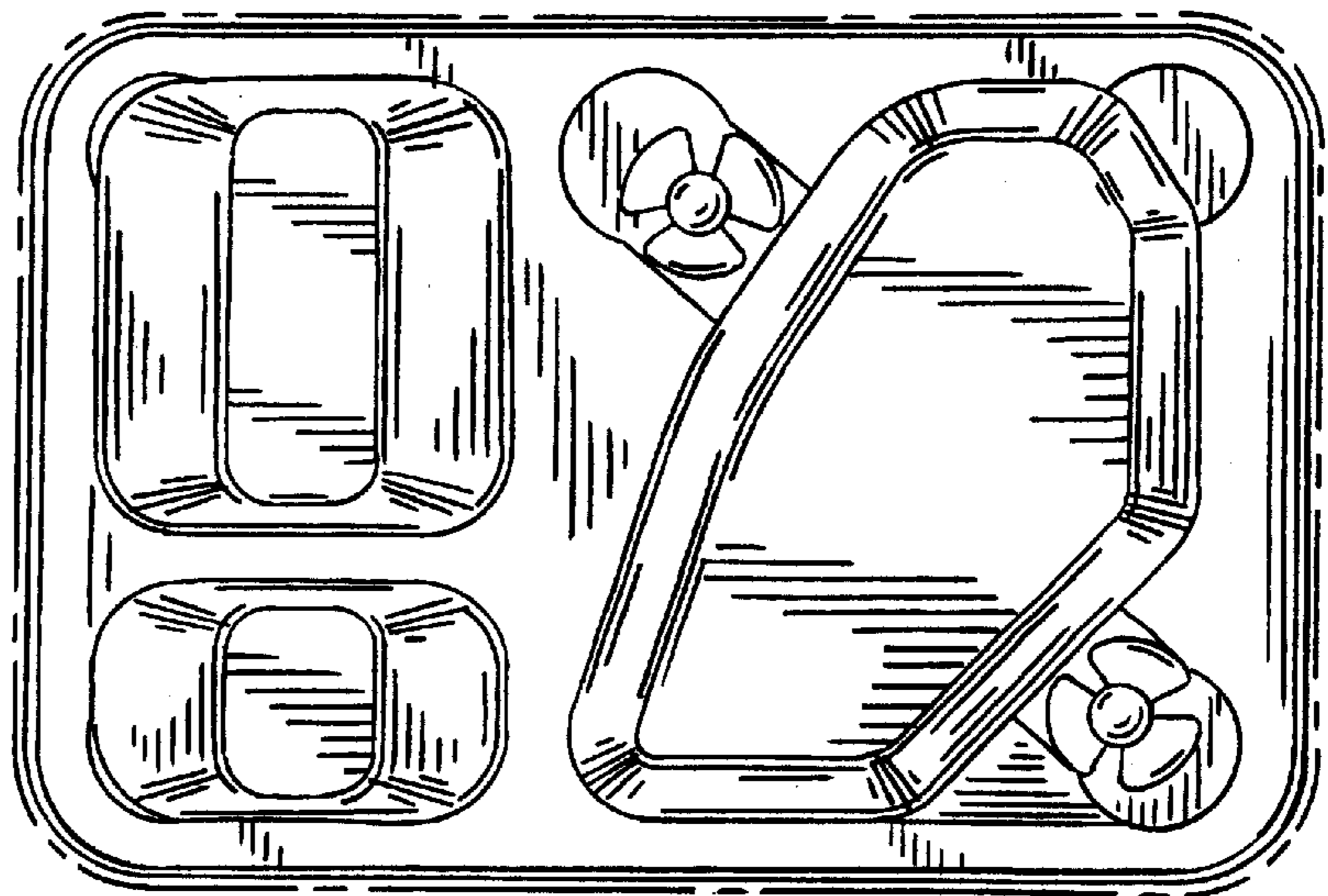


FIG. 7