



US00D471757S

(12) **United States Design Patent**  
**Kitamura et al.**

(10) **Patent No.:** **US D471,757 S**

(45) **Date of Patent:** **\*\* Mar. 18, 2003**

(54) **THERMAL INSULATION COOKER**

(75) Inventors: **Nobuyuki Kitamura**, Kyoto (JP);  
**Norifumi Goto**, Kisagawa-machi (JP)

(73) Assignee: **Thermos K.K.**, Niigata-Ken (JP)

(\*\*) Term: **14 Years**

(21) Appl. No.: **29/159,190**

(22) Filed: **Apr. 15, 2002**

(30) **Foreign Application Priority Data**

Jan. 10, 2002 (JP) ..... 2002-000340

(51) **LOC (7) Cl.** ..... **07-02**

(52) **U.S. Cl.** ..... **D7/360; D7/356**

(58) **Field of Search** ..... **D7/323, 354-360;**  
**99/324, 331, 339, 340; 220/573.1-573.4,**  
**574, 912**

(56) **References Cited**

**U.S. PATENT DOCUMENTS**

D202,062 S \* 8/1965 Yamazaki ..... D7/360  
D212,704 S \* 11/1968 Benes ..... D7/360

D222,093 S \* 9/1971 Aries ..... D7/360  
D253,574 S \* 12/1979 Anderson, Jr. .... D7/356  
D460,316 S \* 7/2002 Coudurier ..... D7/360

\* cited by examiner

*Primary Examiner*—Caron D. Veynar

(74) *Attorney, Agent, or Firm*—J.C. Patents

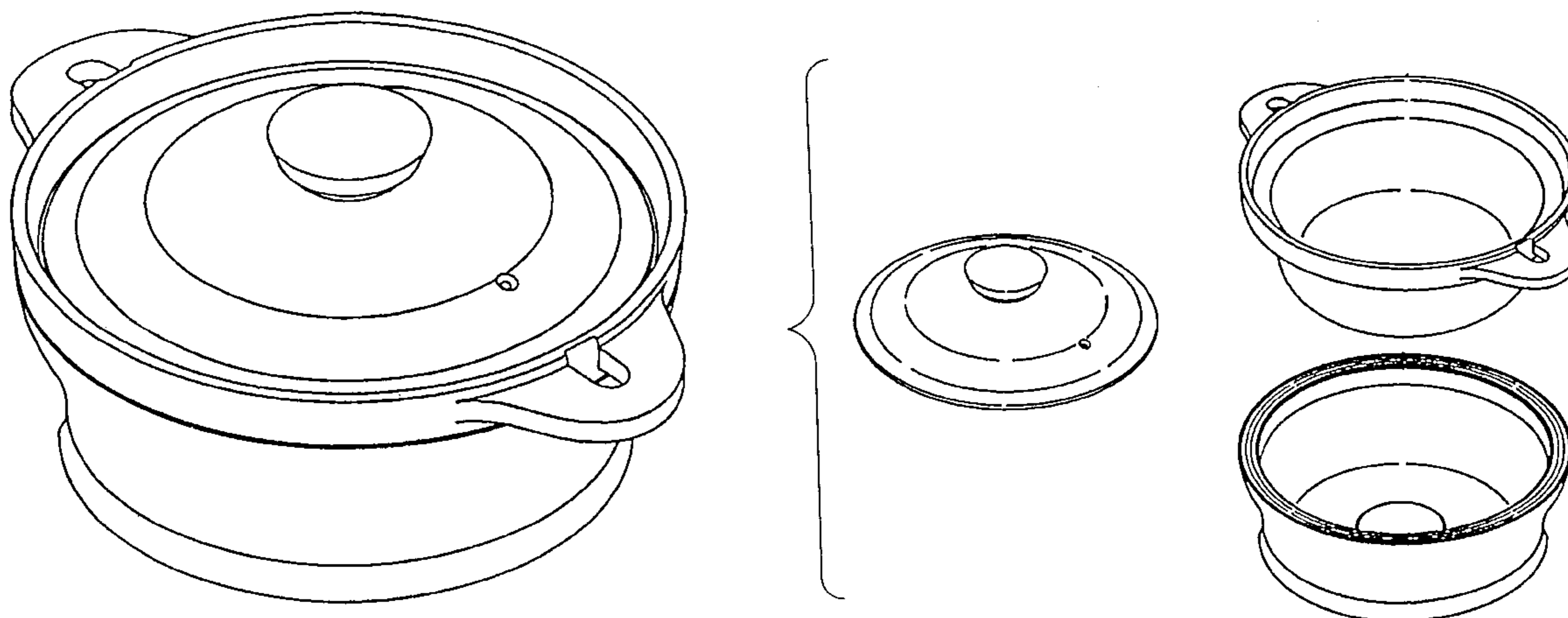
(57) **CLAIM**

The ornamental design for a thermal insulation cooker, as shown and described.

**DESCRIPTION**

FIG. 1 is a perspective view of a thermal insulation cooker according to the invention;  
FIG. 2 is a top plan view thereof;  
FIG. 3 is a front elevational view thereof;  
FIG. 4 is a rear elevational view thereof;  
FIG. 5 is a bottom plan view thereof;  
FIG. 6 is a right end elevational view thereof;  
FIG. 7 is a left end elevational view thereof;  
FIG. 8 is a cross sectional view taken along line 8—8 of FIG. 2; and,  
FIG. 9 is an exploded view thereof.

**1 Claim, 5 Drawing Sheets**



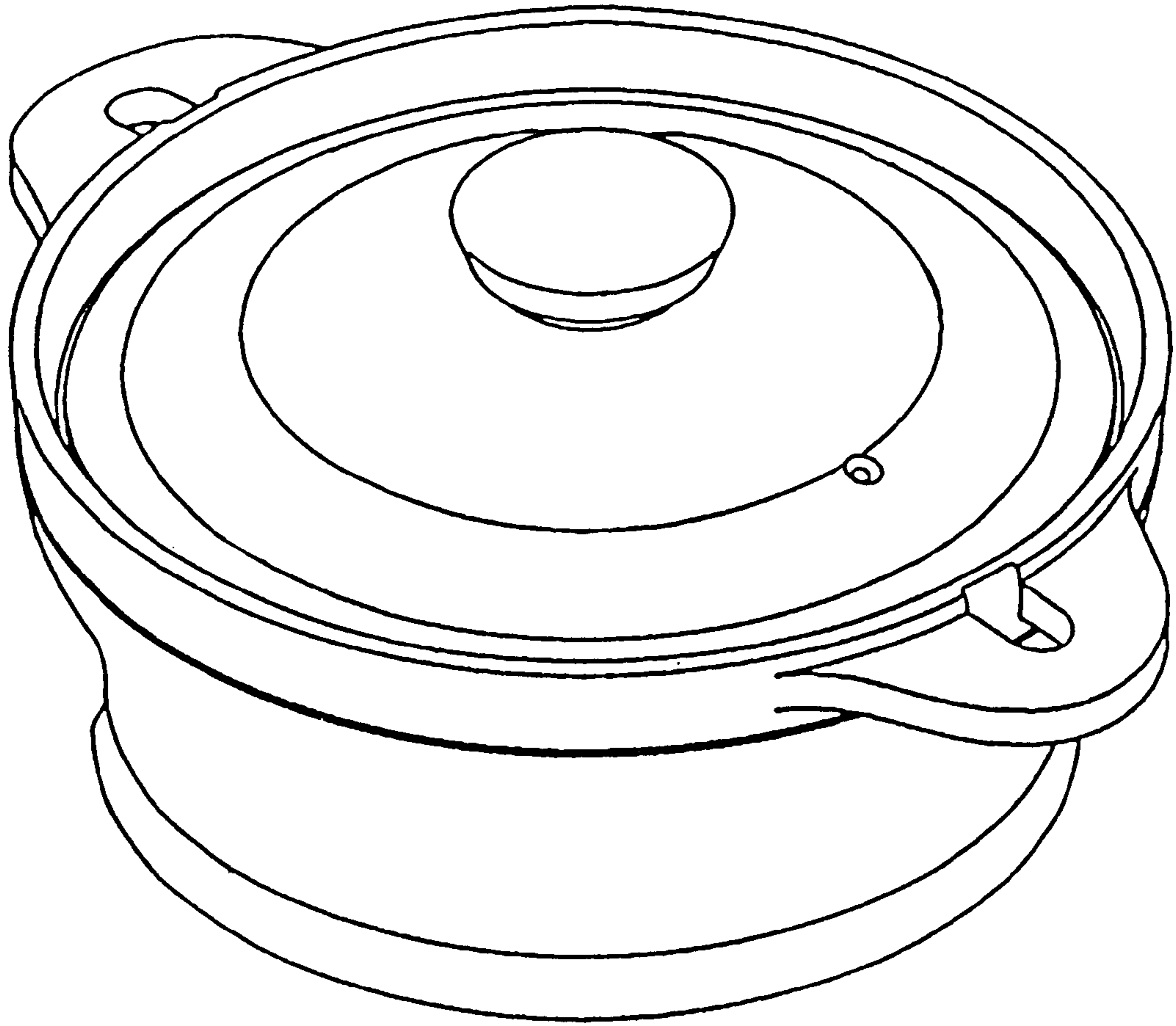


FIG. 1

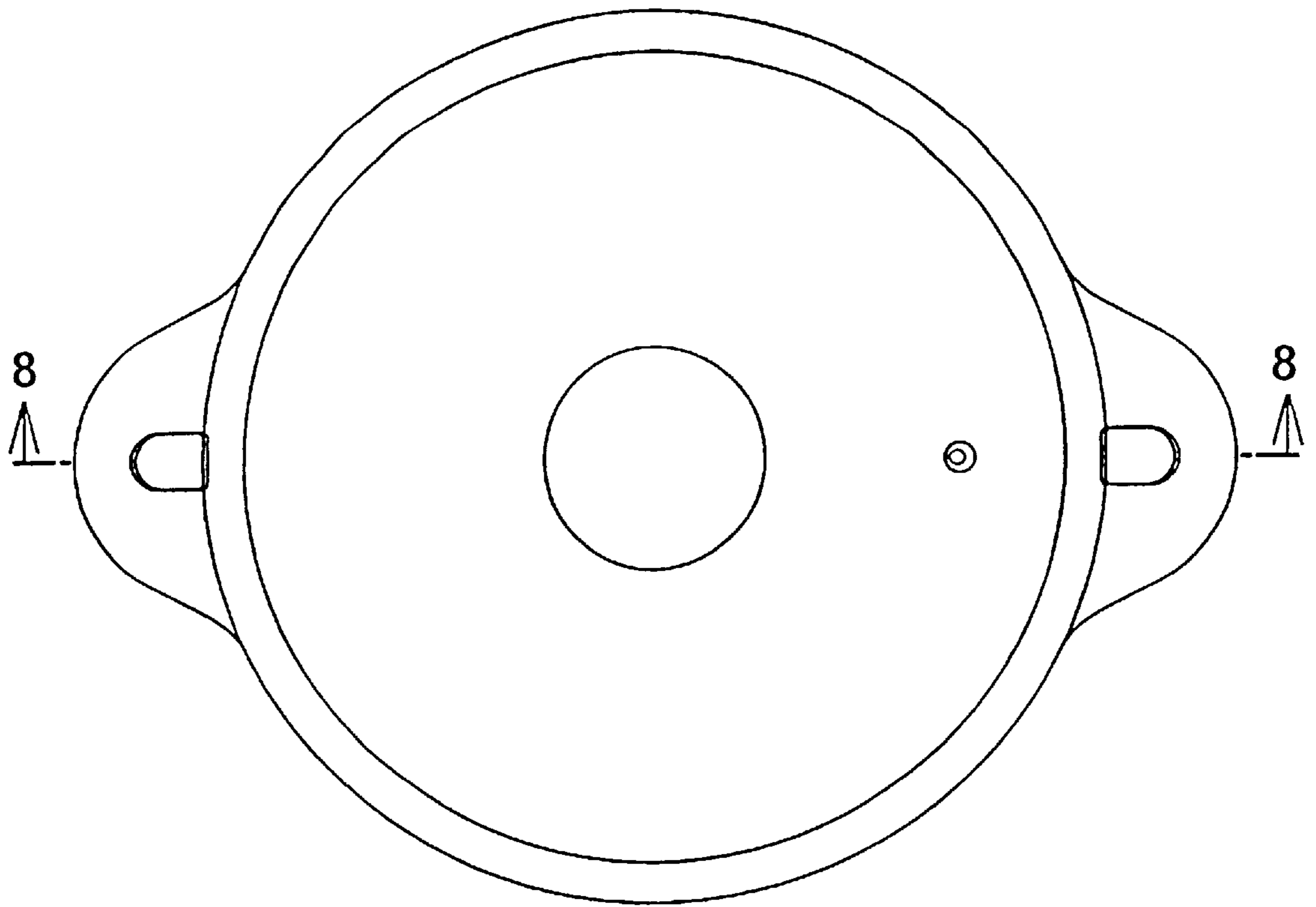


FIG. 2

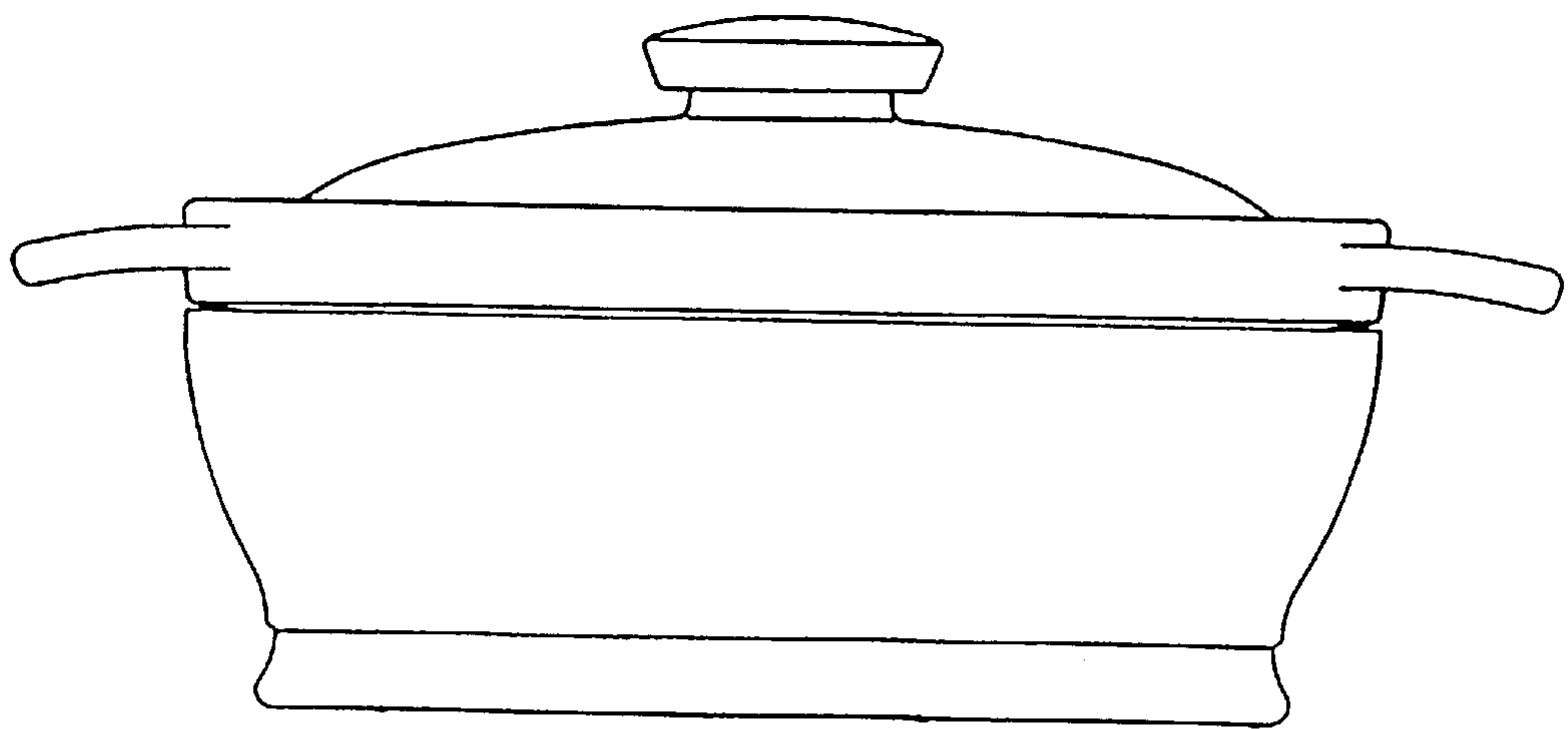


FIG. 3

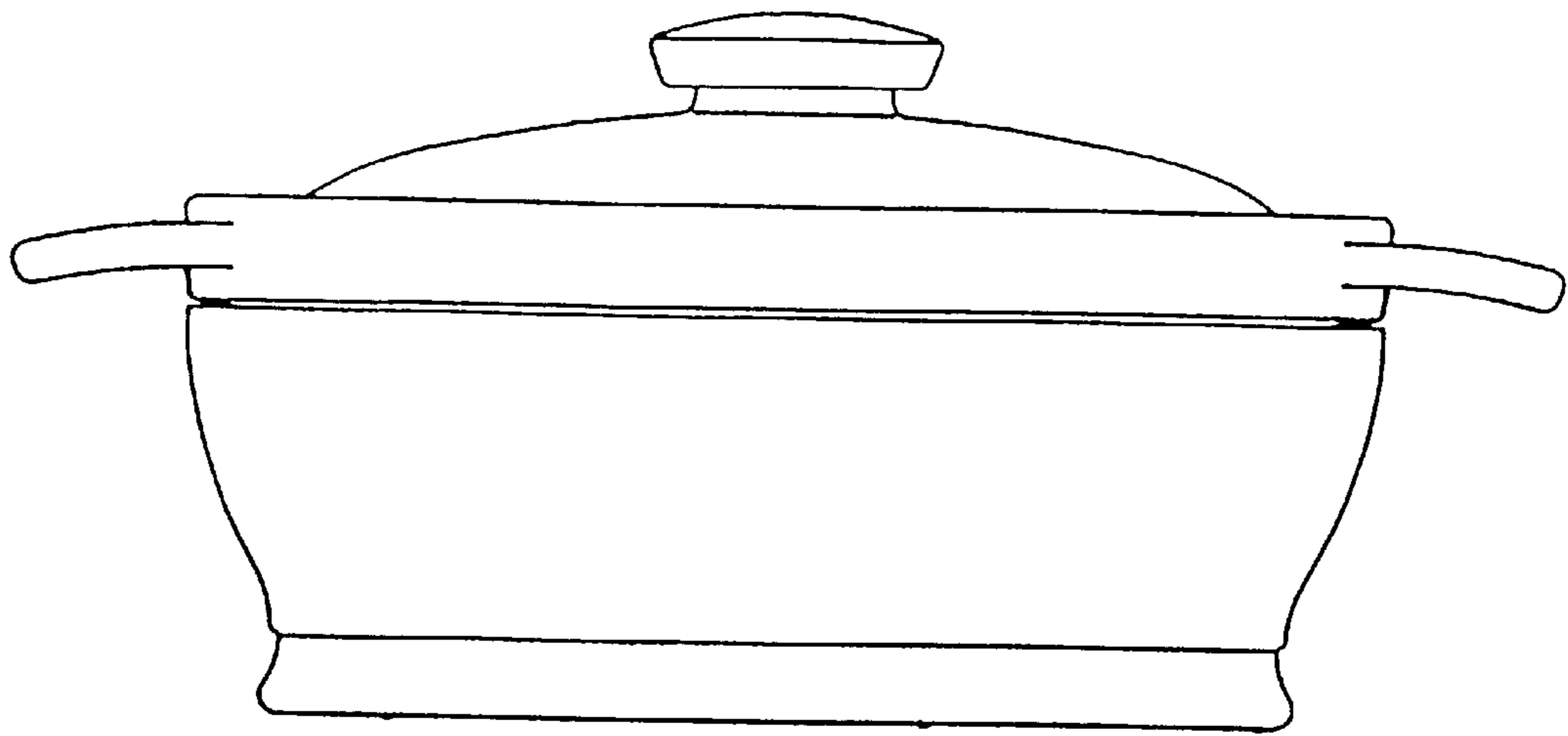


FIG. 4

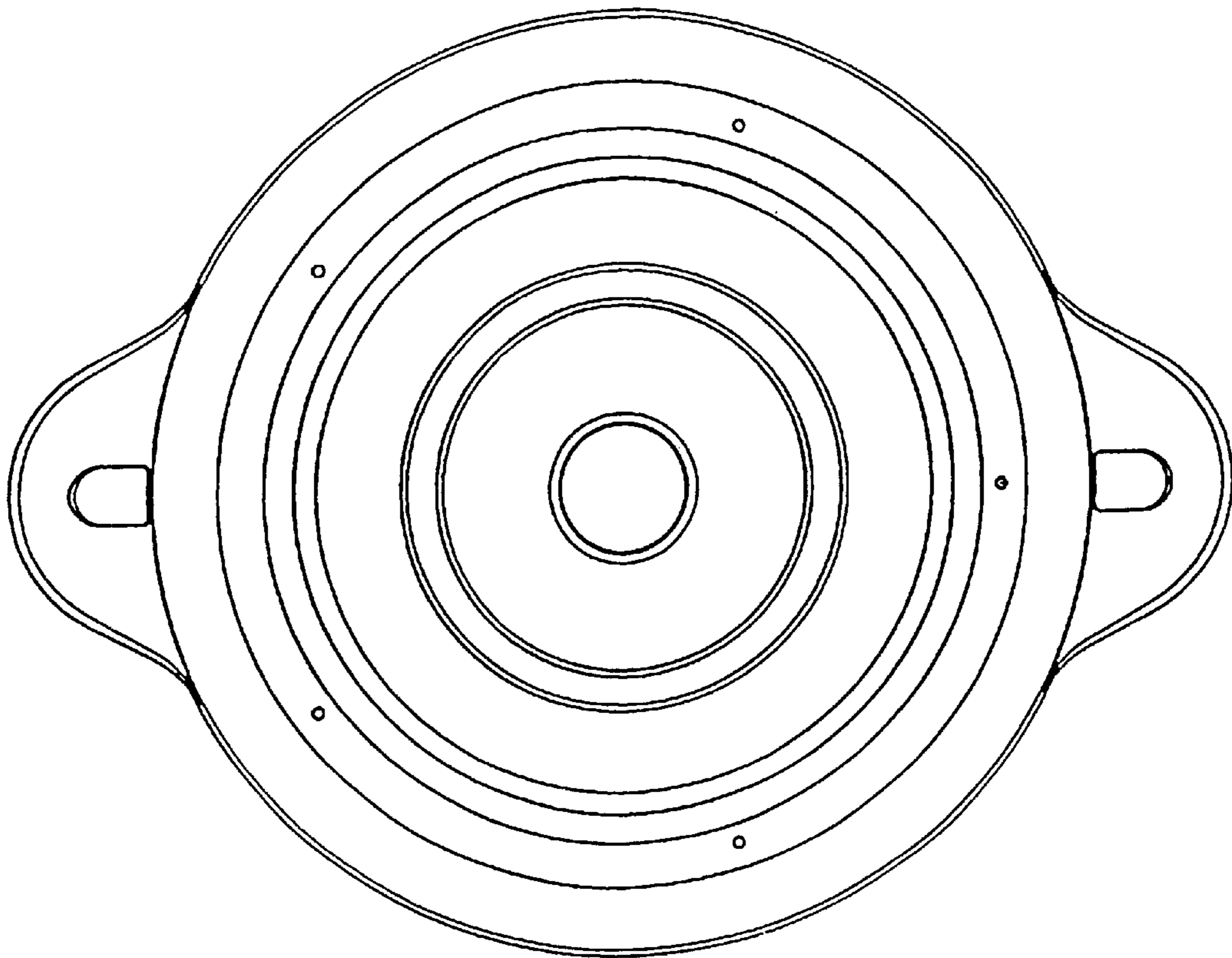


FIG. 5

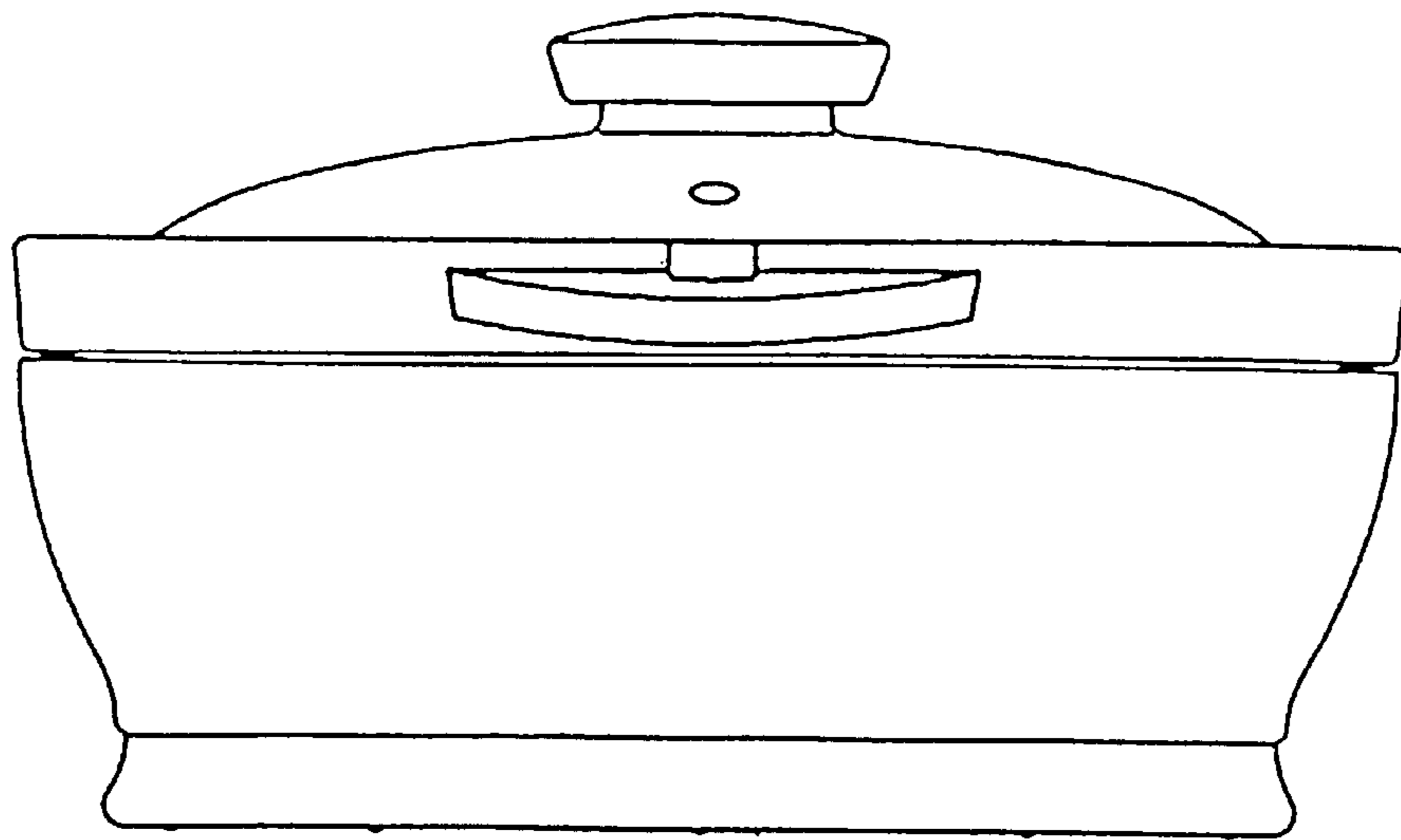


FIG. 6

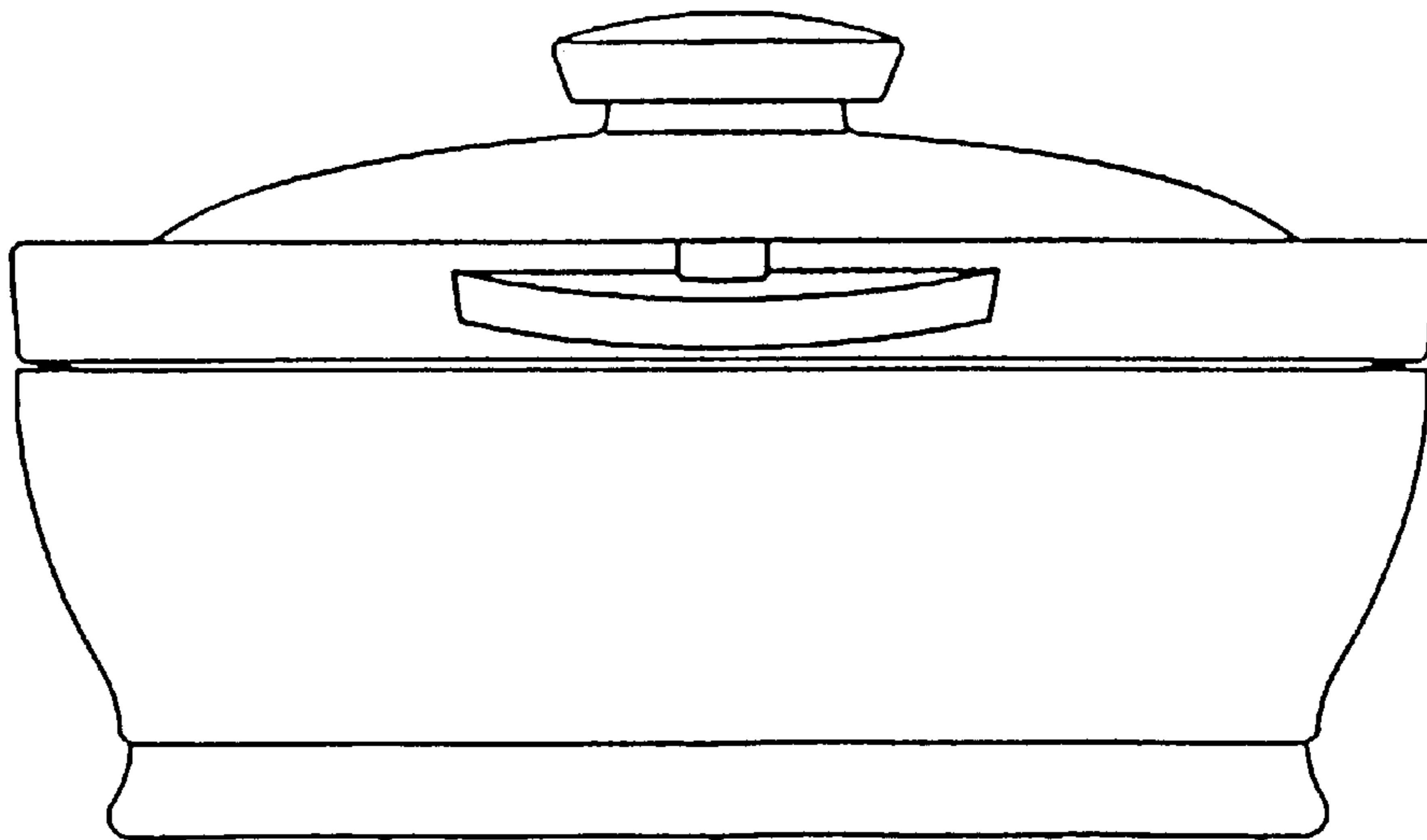


FIG. 7

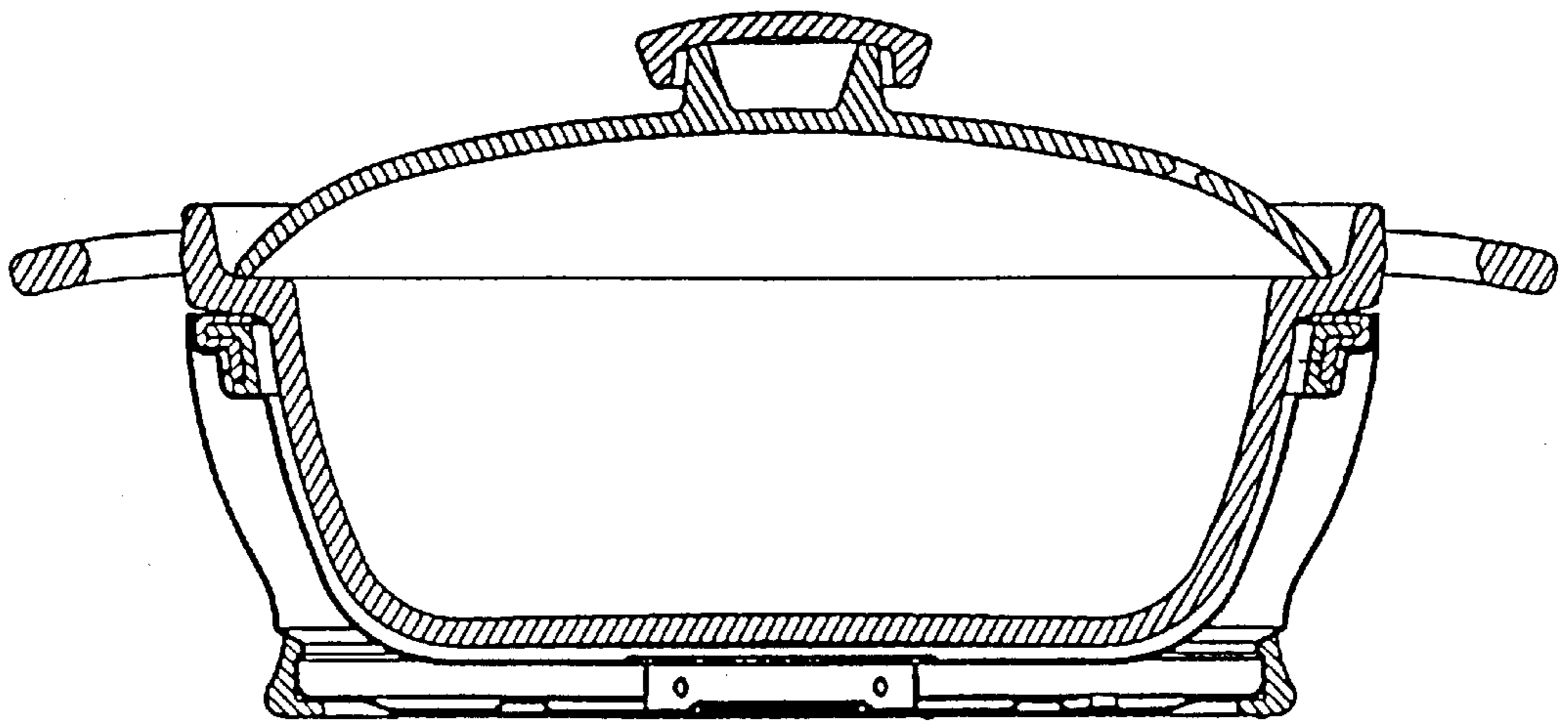


FIG. 8

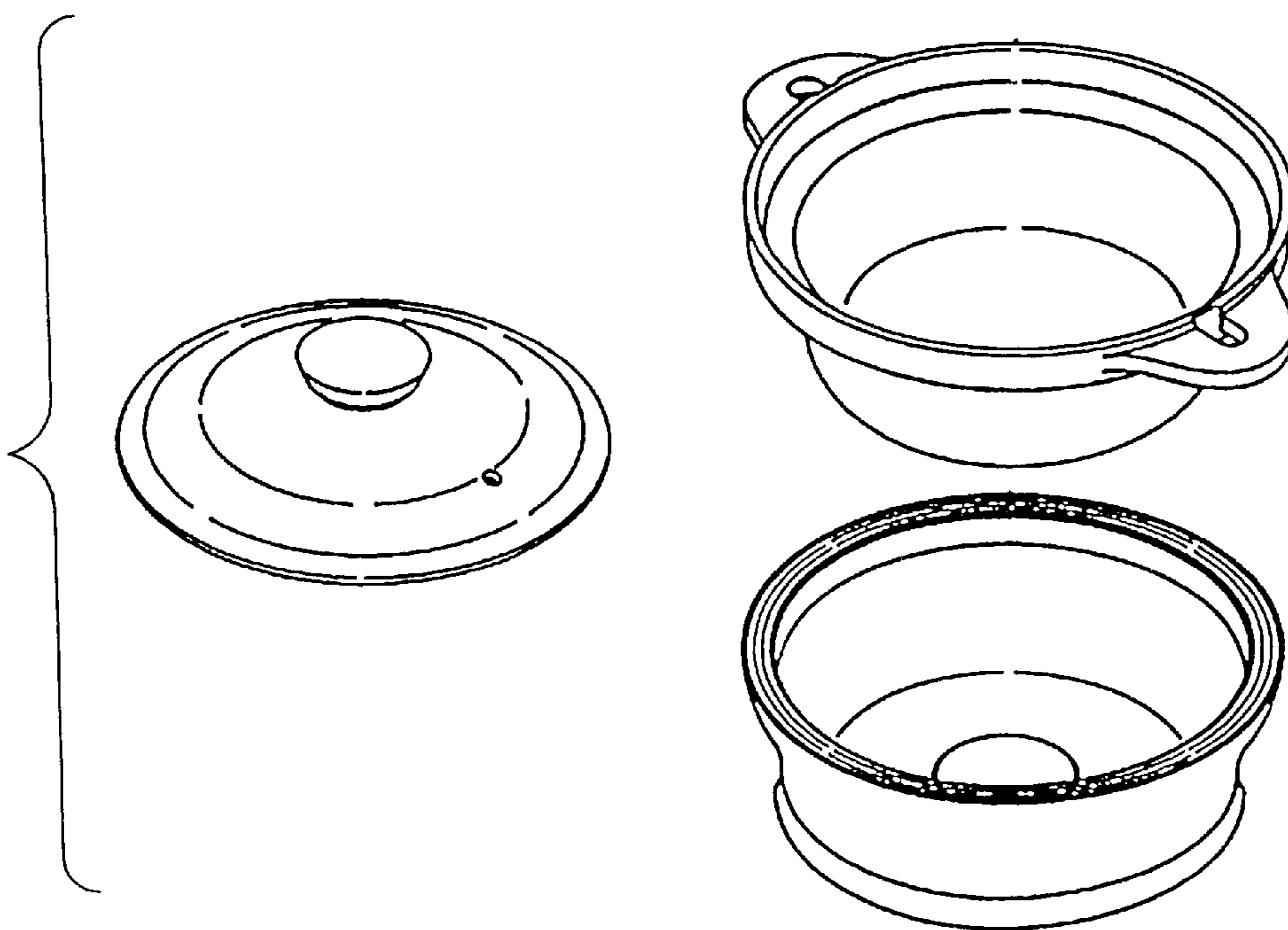


FIG. 9