



US00D471753S

(12) **United States Design Patent**
Hsu

(10) **Patent No.:** **US D471,753 S**

(45) **Date of Patent:** **** Mar. 18, 2003**

(54) **COFFEE MAKER**

(75) **Inventor:** **Tony Hsu, Yung Kang (TW)**

(73) **Assignee:** **Lundar Electric Industrial Co., Ltd.,
Tainan Hsien (TW)**

(**) **Term:** **14 Years**

(21) **Appl. No.:** **29/164,774**

(22) **Filed:** **Aug. 1, 2002**

(51) **LOC (7) Cl.** **07-01**

(52) **U.S. Cl.** **D7/309; D7/311**

(58) **Field of Search** **D7/309, 310, 311,
D7/300, 306; 99/299, 295, 279, 293, 304,
306**

(56) **References Cited**

U.S. PATENT DOCUMENTS

D366,385 S	*	1/1996	Anghii et al.	D7/309
D444,336 S	*	7/2001	Hsu	D7/309
D445,291 S	*	7/2001	Fregnan	D7/309
D449,197 S	*	10/2001	Byler	D7/309

D449,759 S * 10/2001 Lin D7/309

D449,954 S * 11/2001 Warfel et al. D7/309

D450,520 S * 11/2001 Saltet D7/309

D453,656 S * 2/2002 Byler et al. D7/309

D457,774 S * 5/2002 DeMore et al. D7/309

* cited by examiner

Primary Examiner—M. N. Pandozzi

(74) *Attorney, Agent, or Firm*—Rosenberg, Klein & Lee

(57) **CLAIM**

The ornamental design for a coffee maker, as shown and described.

DESCRIPTION

FIG. 1 is a perspective view of a coffee maker showing my present design;

FIG. 2 is a front view thereof;

FIG. 3 is a rear view thereof;

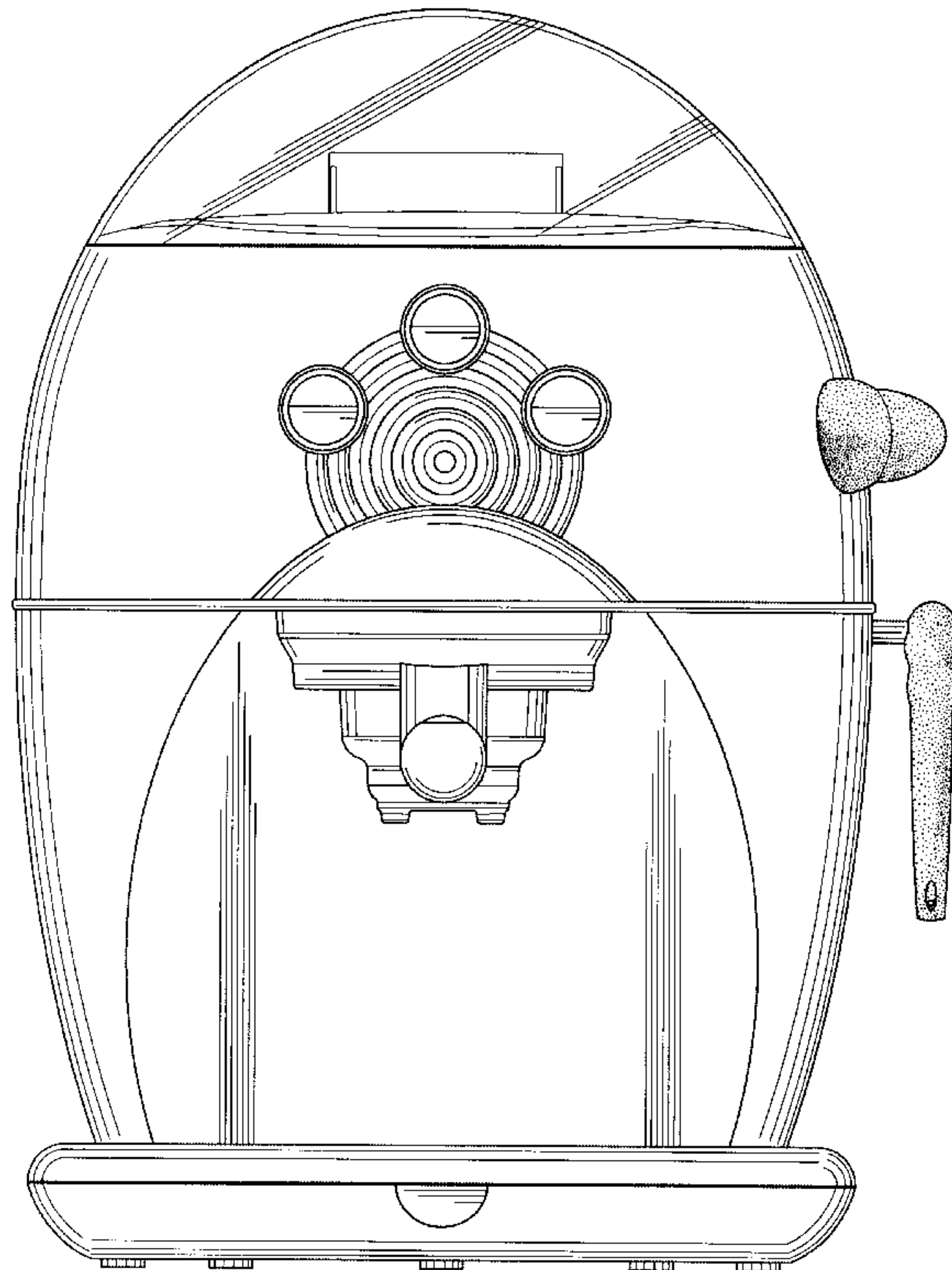
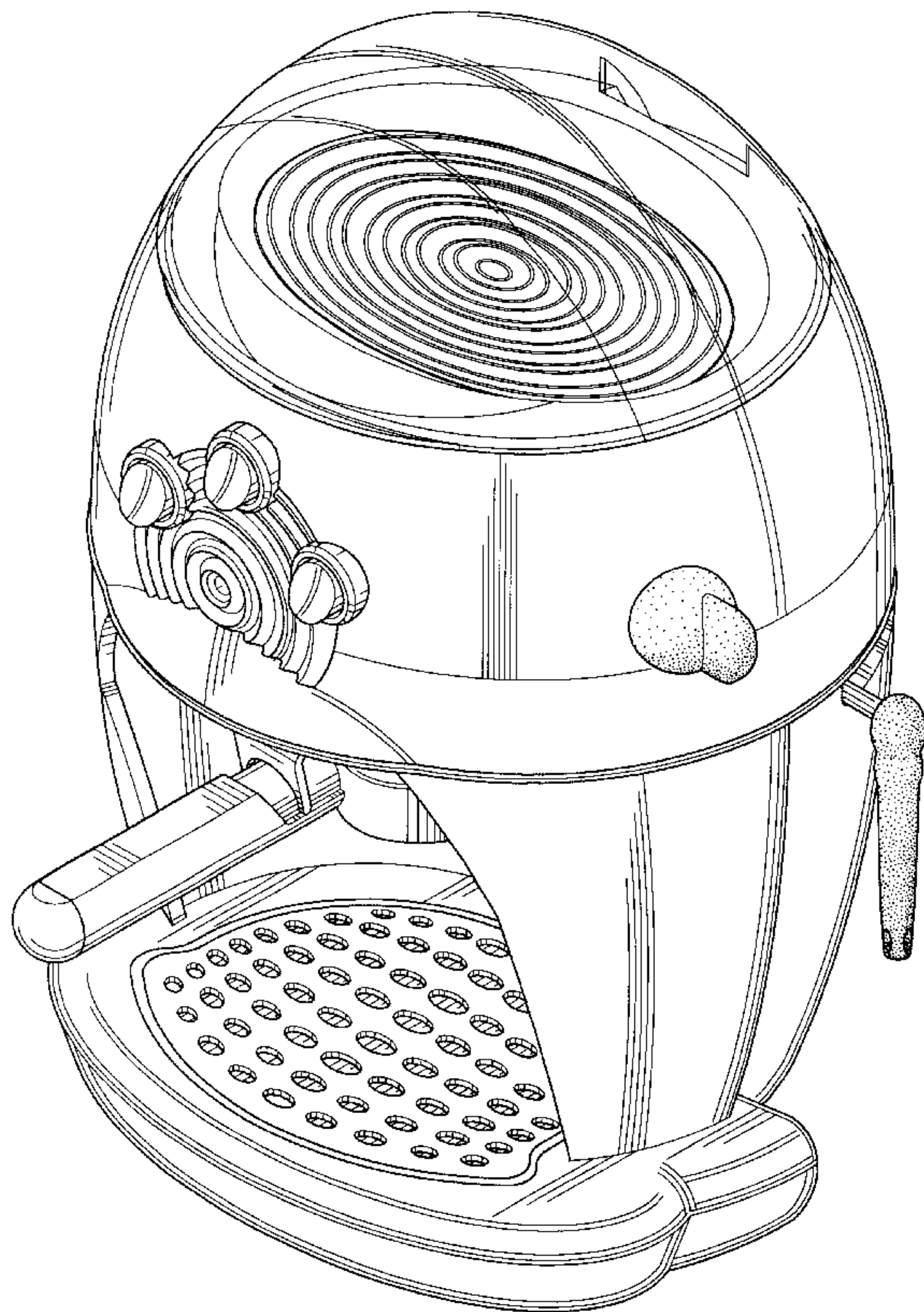
FIG. 4 is a left view thereof;

FIG. 5 is a right view thereof;

FIG. 6 is a top plan view thereof; and,

FIG. 7 is a bottom plan view.

1 Claim, 7 Drawing Sheets



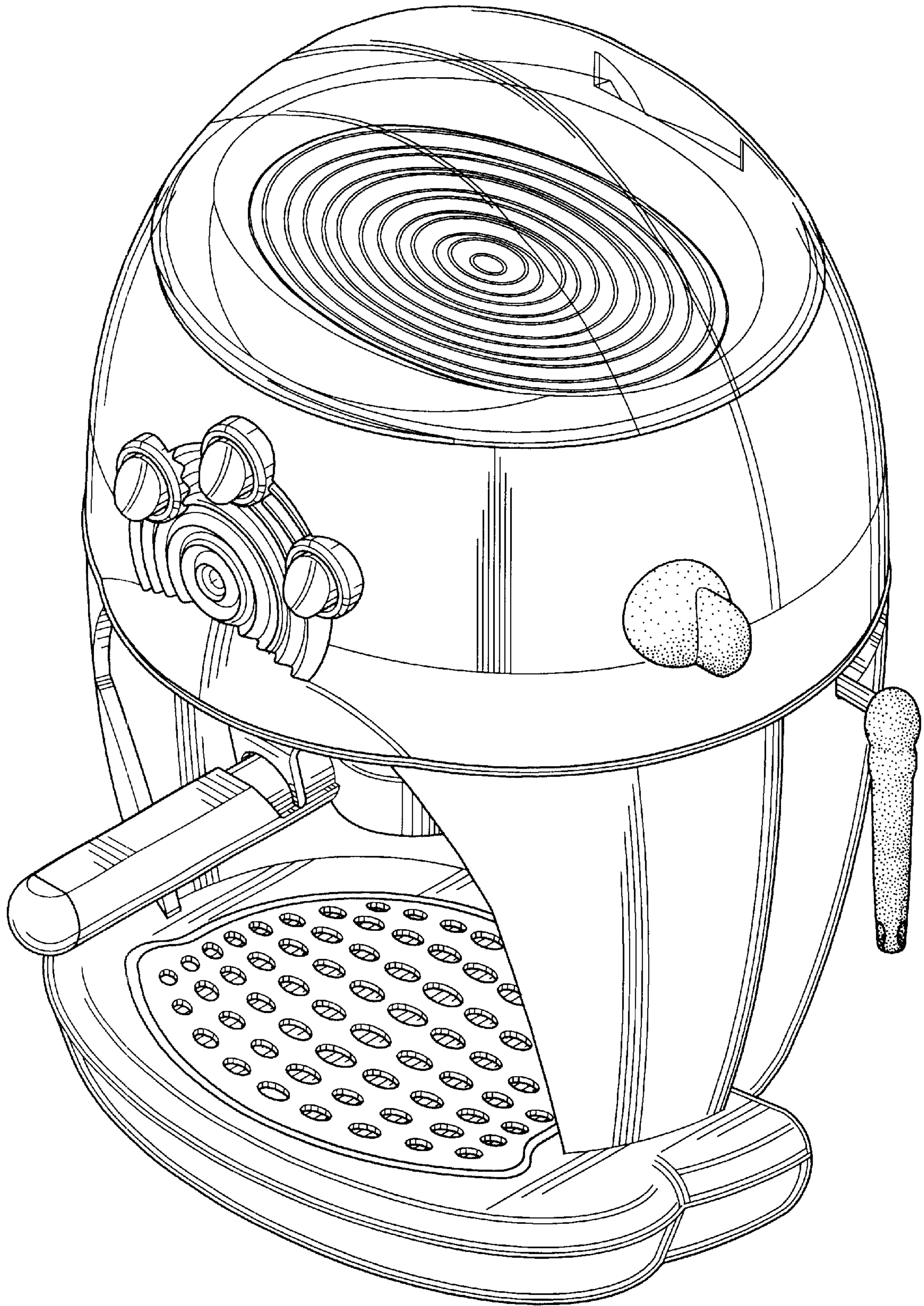


FIG. 1

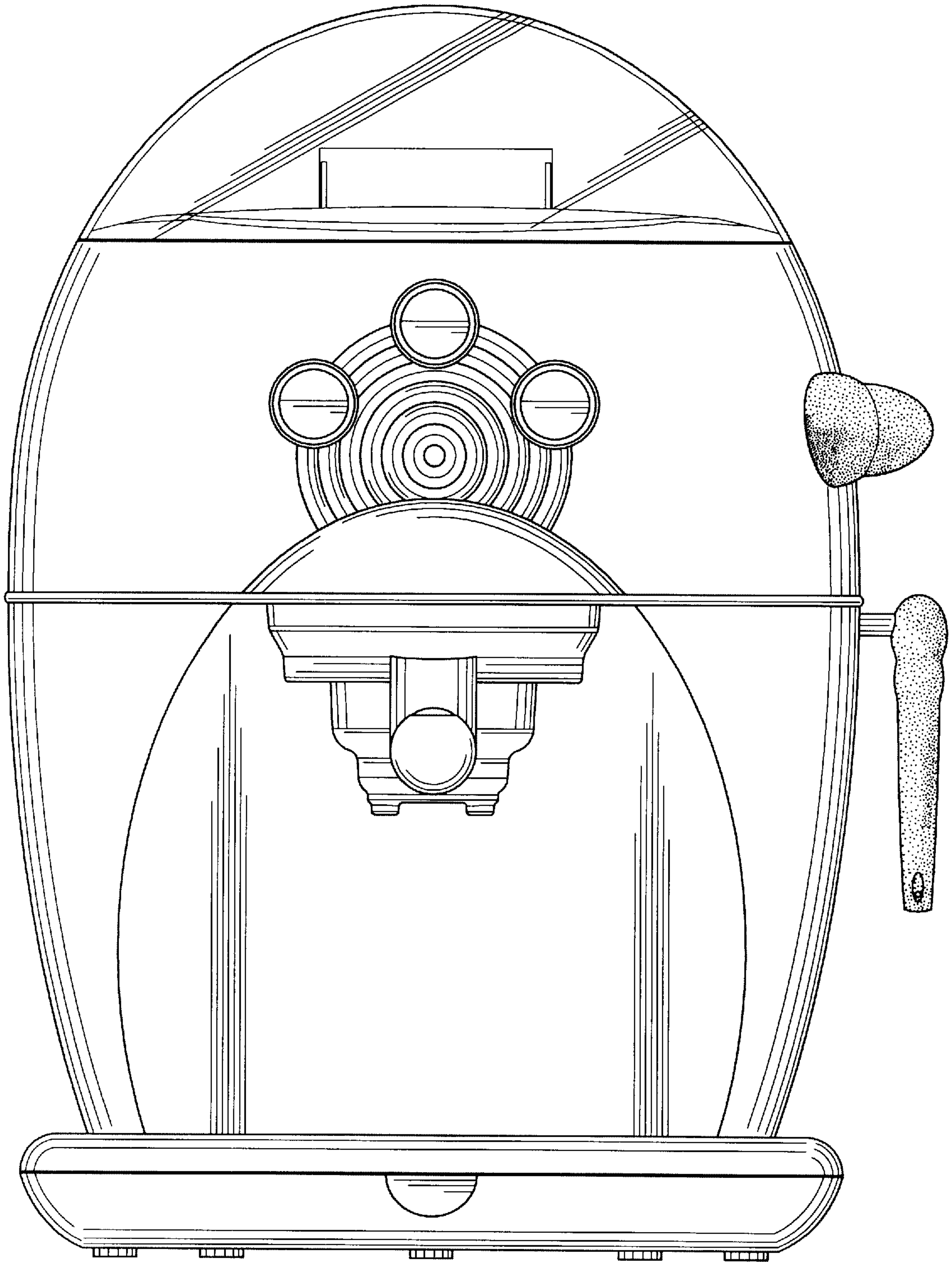


FIG. 2

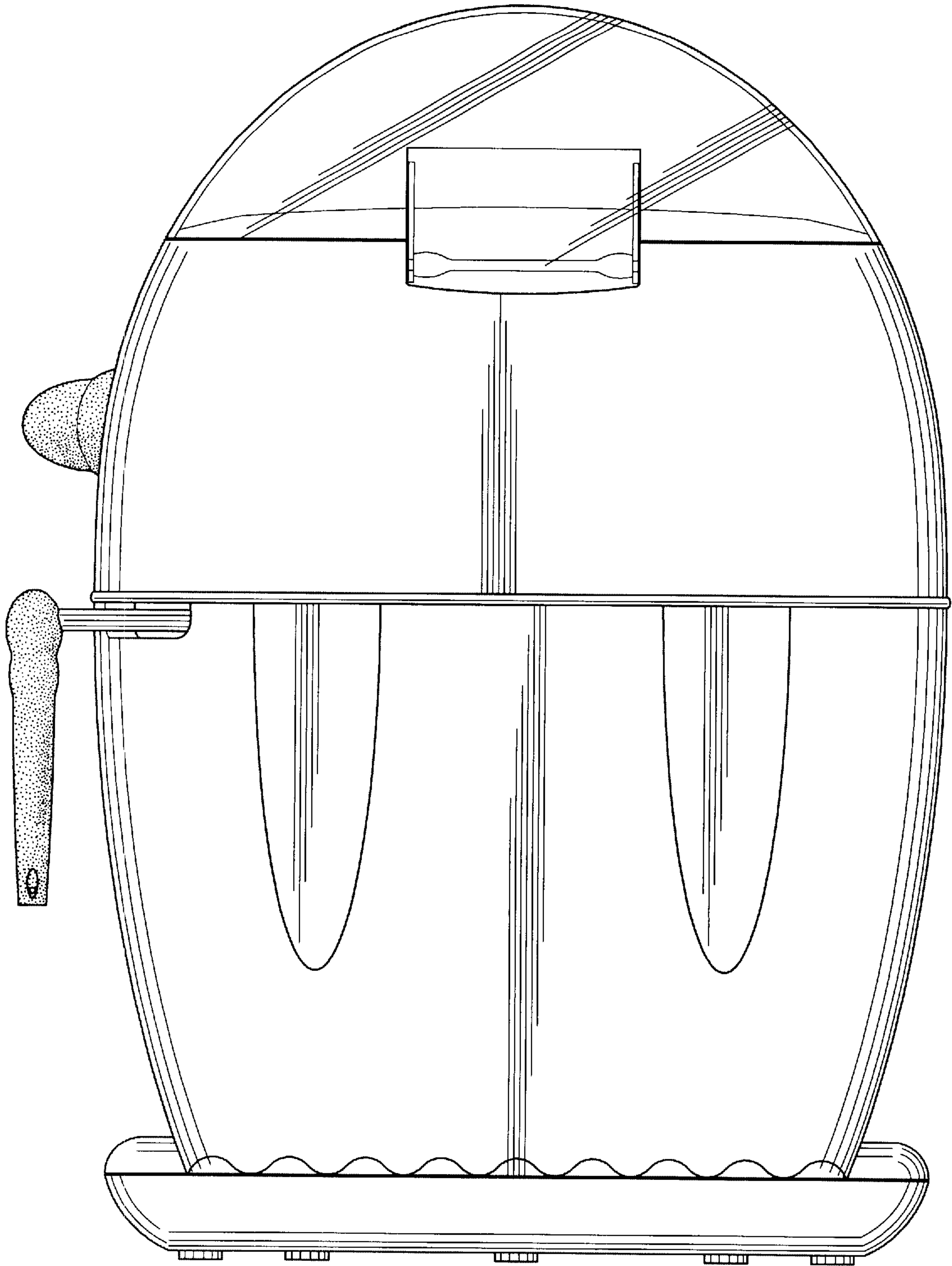


FIG. 3

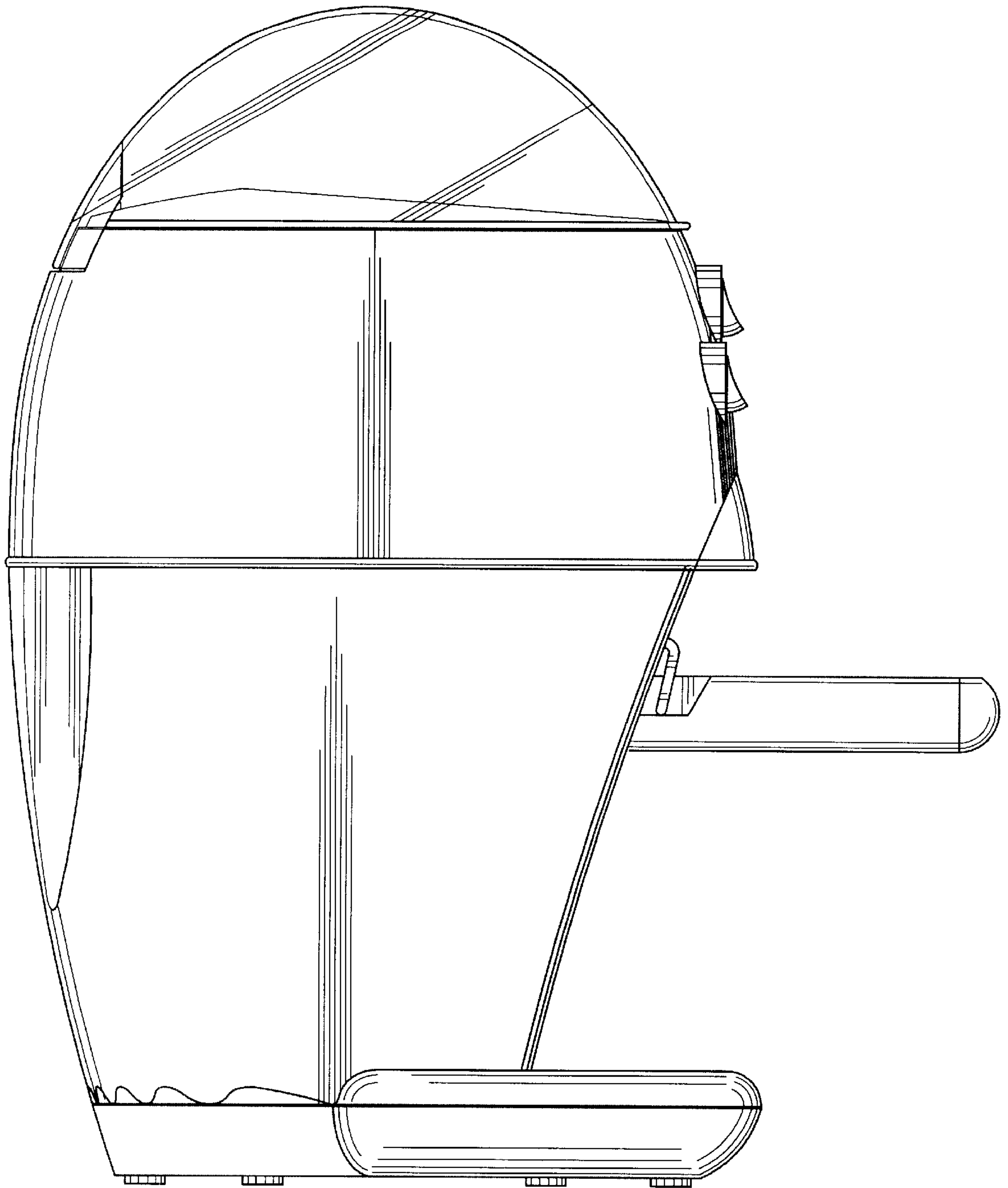


FIG. 4

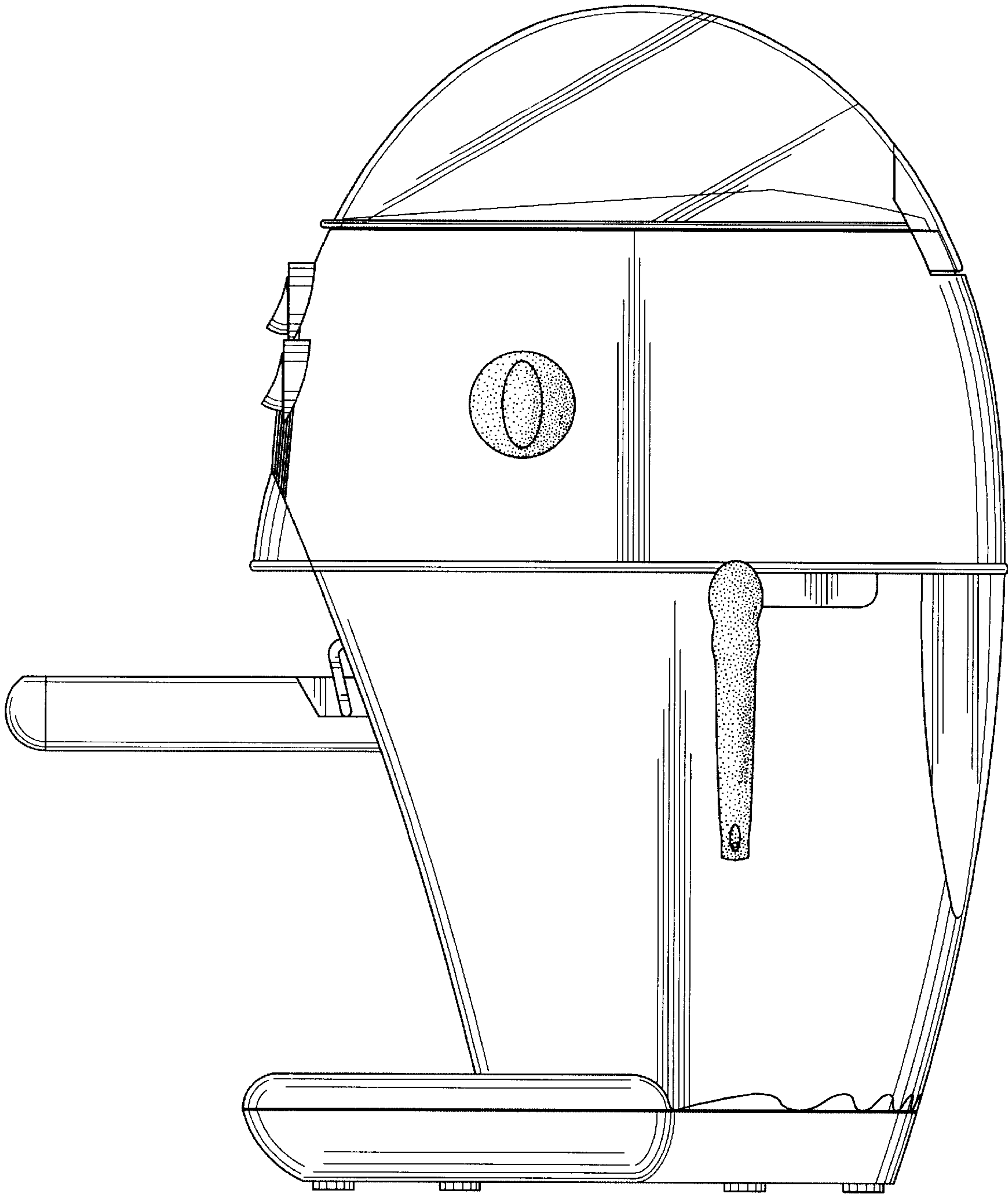


FIG. 5

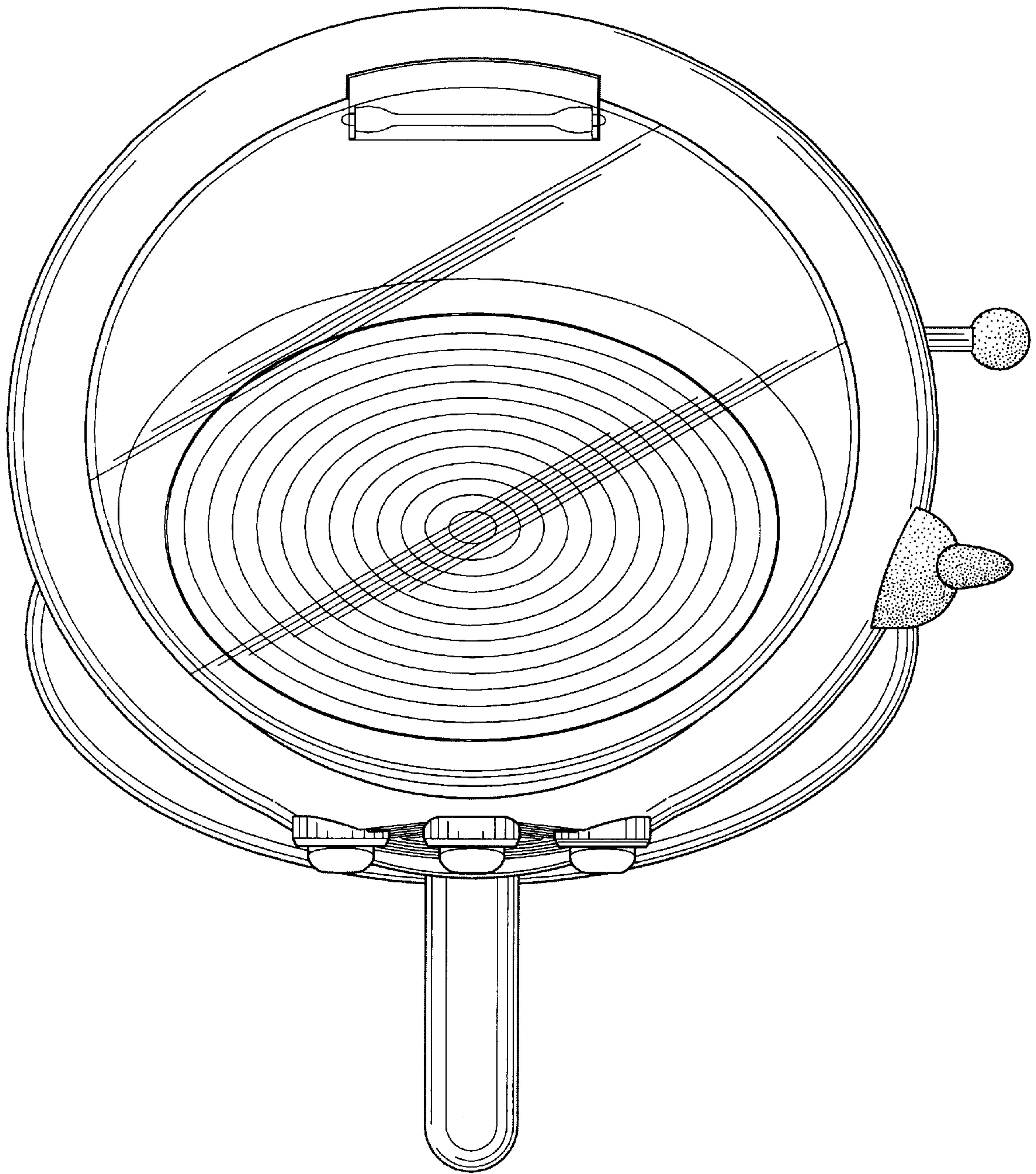


FIG. 6

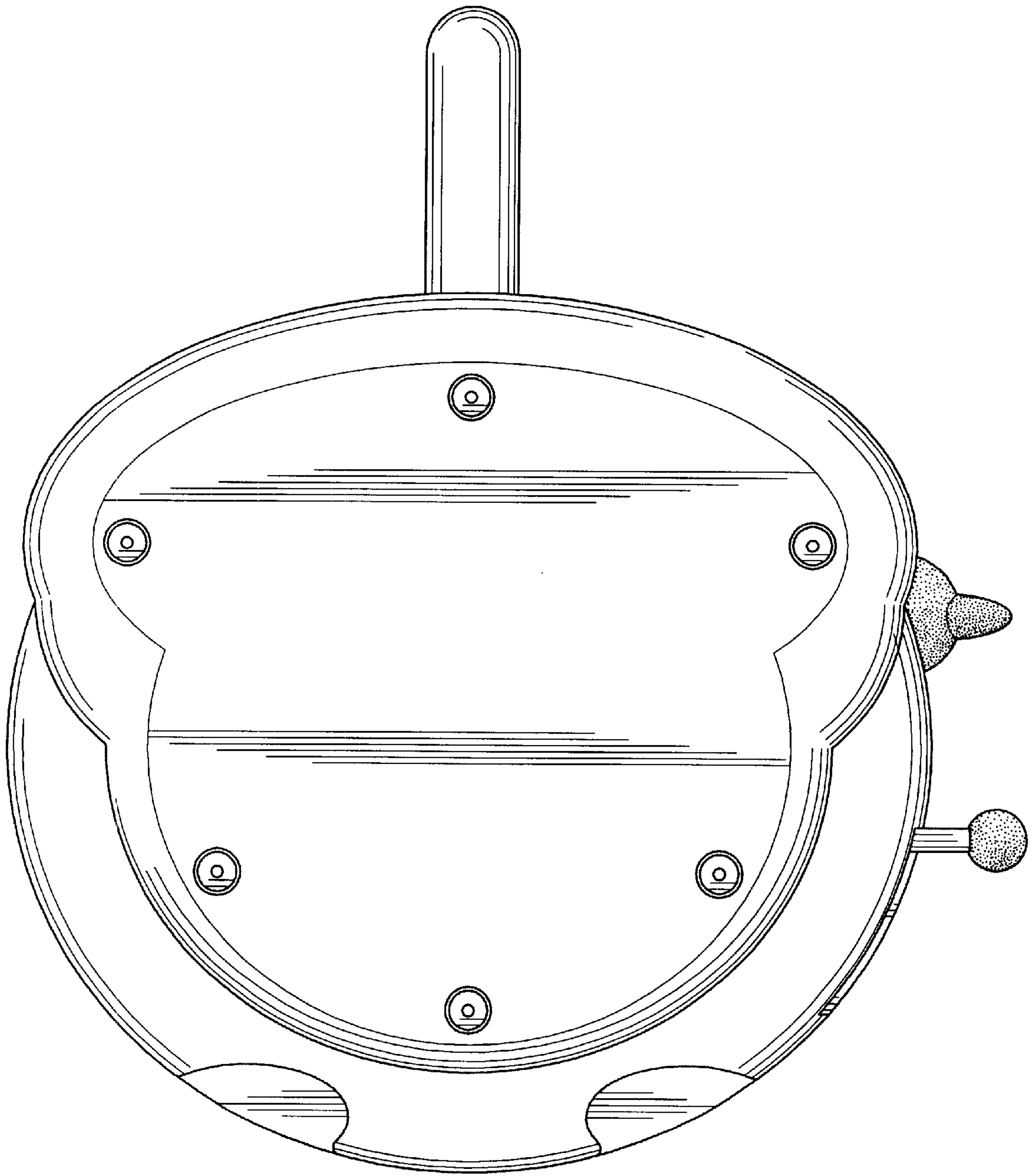


FIG. 7