



US00D471748S

(12) **United States Design Patent**
Moore

(10) **Patent No.:** **US D471,748 S**

(45) **Date of Patent:** **** Mar. 18, 2003**

(54) **TISSUE HOLDER**

(75) Inventor: **Glenn David Moore**, Pompton Lakes,
NJ (US)

(73) Assignee: **Bath Unlimited, Inc.**, Passaic, NJ (US)

(**) Term: **14 Years**

(21) Appl. No.: **29/164,455**

(22) Filed: **Jul. 24, 2002**

Related U.S. Application Data

(62) Division of application No. 29/147,146, filed on Aug. 23,
2001.

(51) **LOC (7) Cl.** **23-02**

(52) **U.S. Cl.** **D6/523**

(58) **Field of Search** D6/518-523; 206/389;
242/520, 555, 595, 597, 597.1

(56) **References Cited**

U.S. PATENT DOCUMENTS

- D374,585 S * 10/1996 Moon D6/523
- D437,162 S * 2/2001 Fiegl et al. D6/546
- D449,191 S * 10/2001 Snell D6/546

- D450,503 S * 11/2001 Gottwald D6/523
- D453,434 S * 2/2002 Ou-Young D6/546
- D461,669 S * 8/2002 Cheng D6/527

* cited by examiner

Primary Examiner—Brian N. Vinson

(74) *Attorney, Agent, or Firm*—Edgar A. Zarins; Lloyd D.
Doigan

(57) **CLAIM**

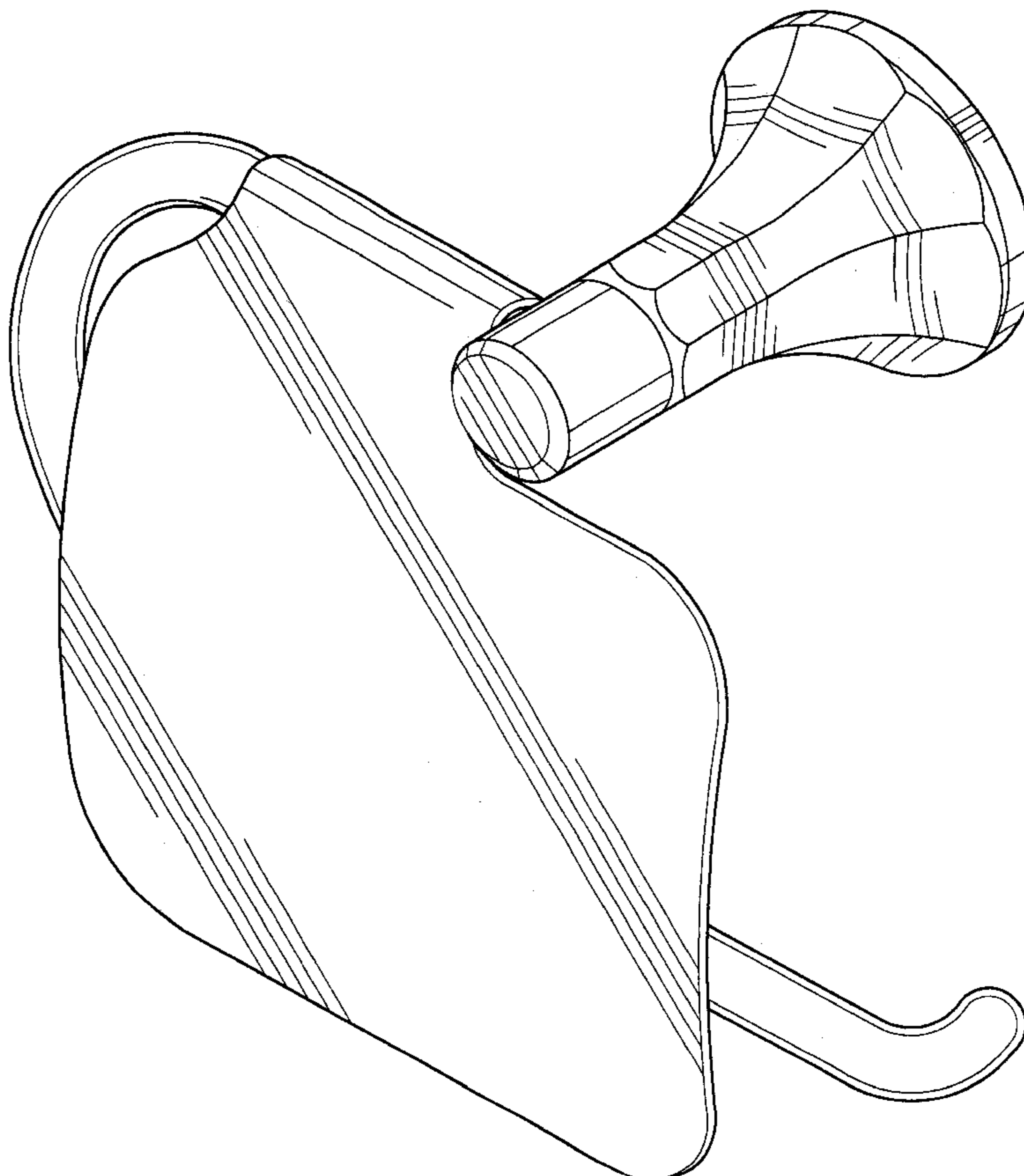
The ornamental design for a tissue holder, as shown and
described.

DESCRIPTION

FIG. 1 is a perspective view of a tissue holder showing my
new design;
 FIG. 2 is a front elevational view thereof;
 FIG. 3 is a rear elevational view thereof;
 FIG. 4 is a top plan view thereof;
 FIG. 5 is a bottom plan view thereof;
 FIG. 6 is a right side view thereof; and,
 FIG. 7 is a left side view thereof.

The roll retainer component in FIG. 1 has been omitted from
the remaining views for clarity of illustration.

1 Claim, 4 Drawing Sheets



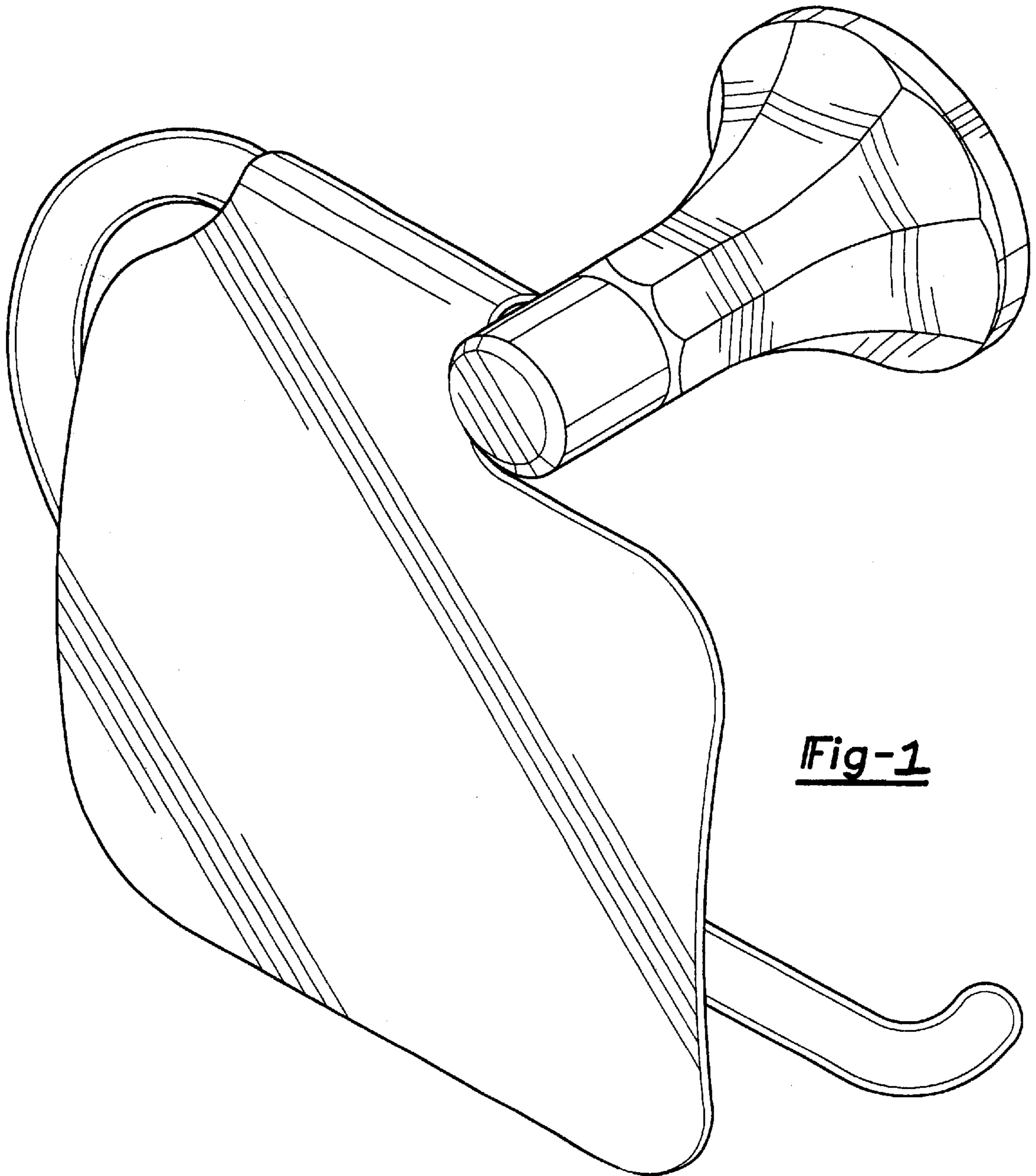


Fig-1

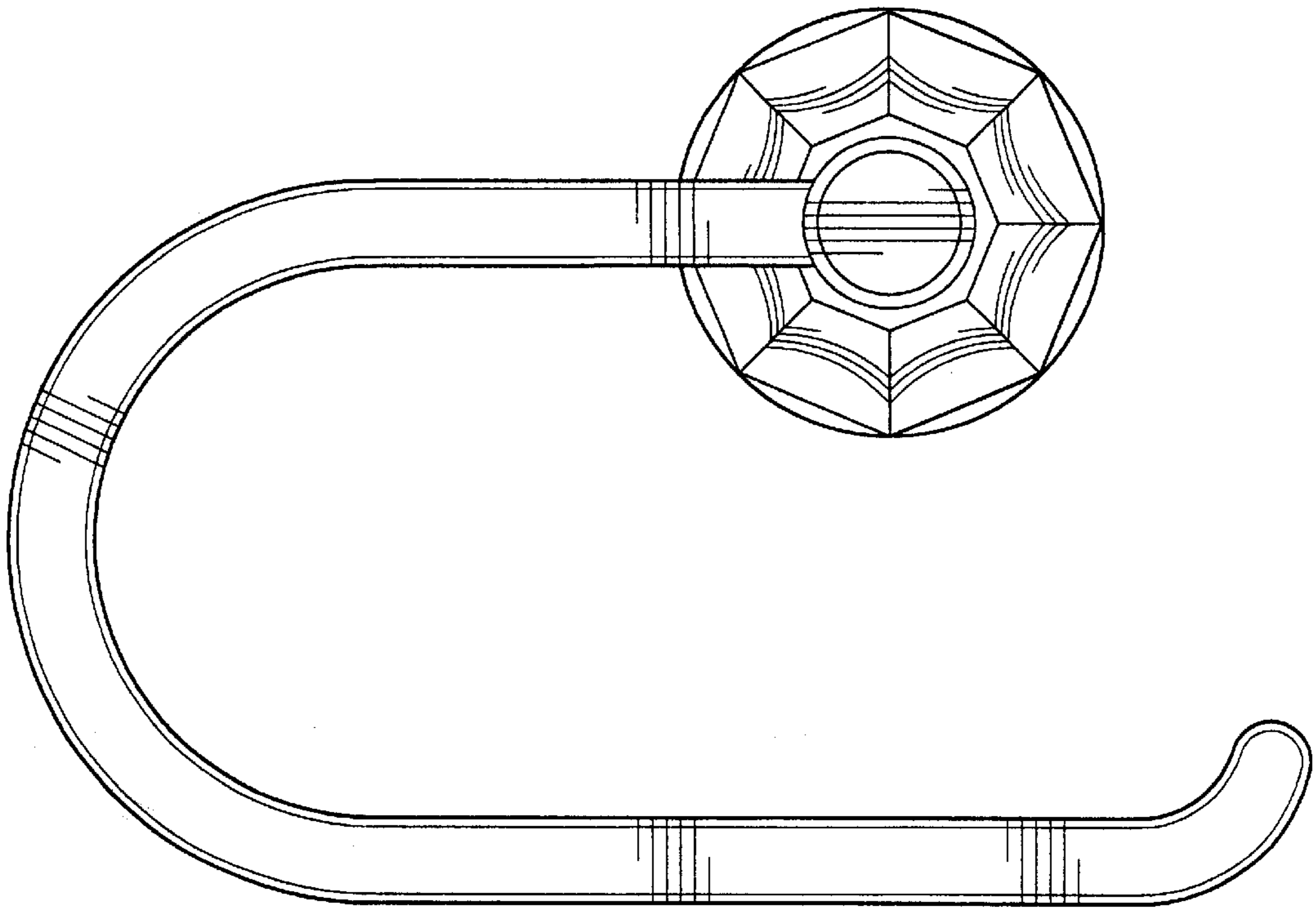


Fig-2

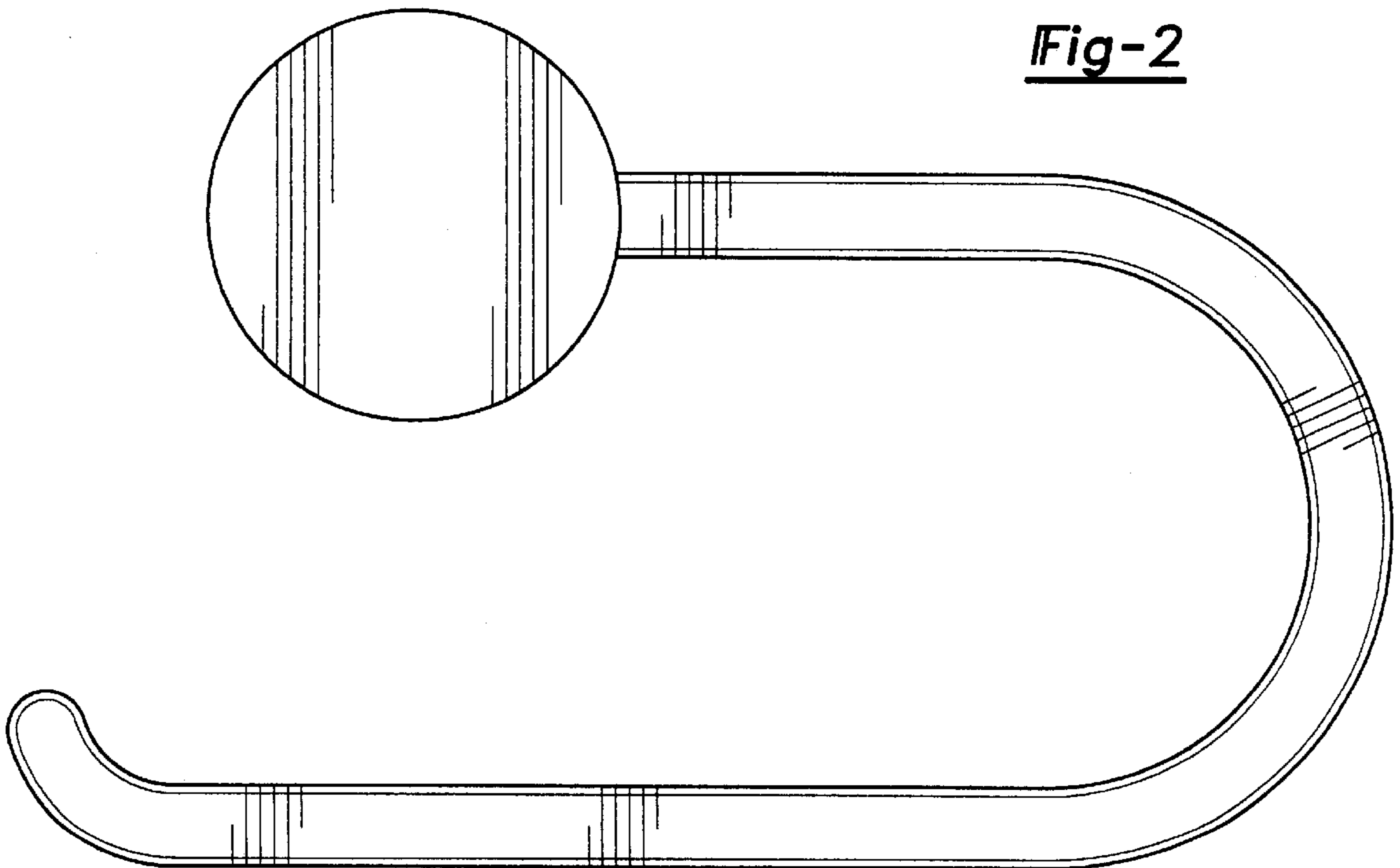


Fig-3

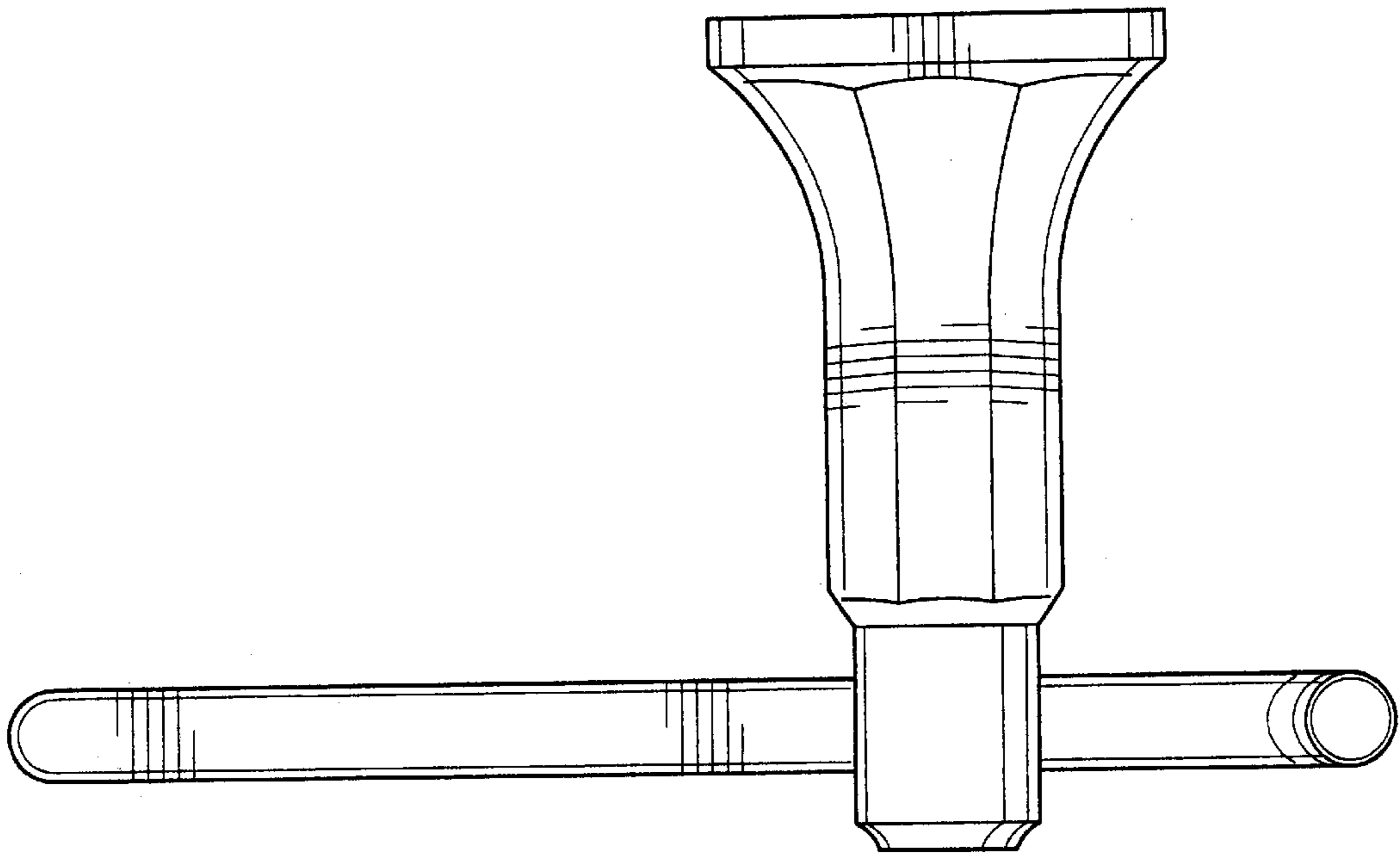


Fig-4

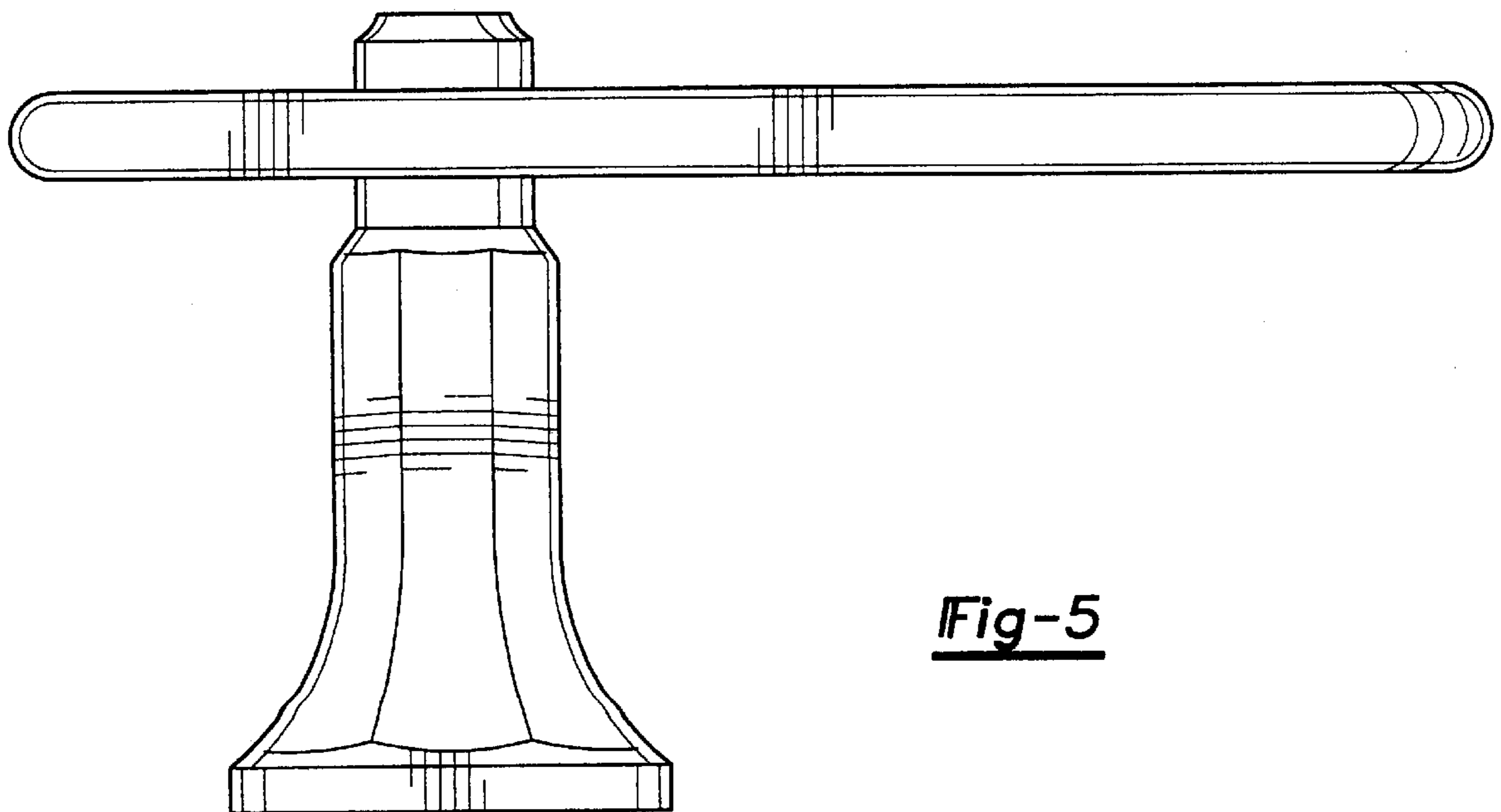


Fig-5

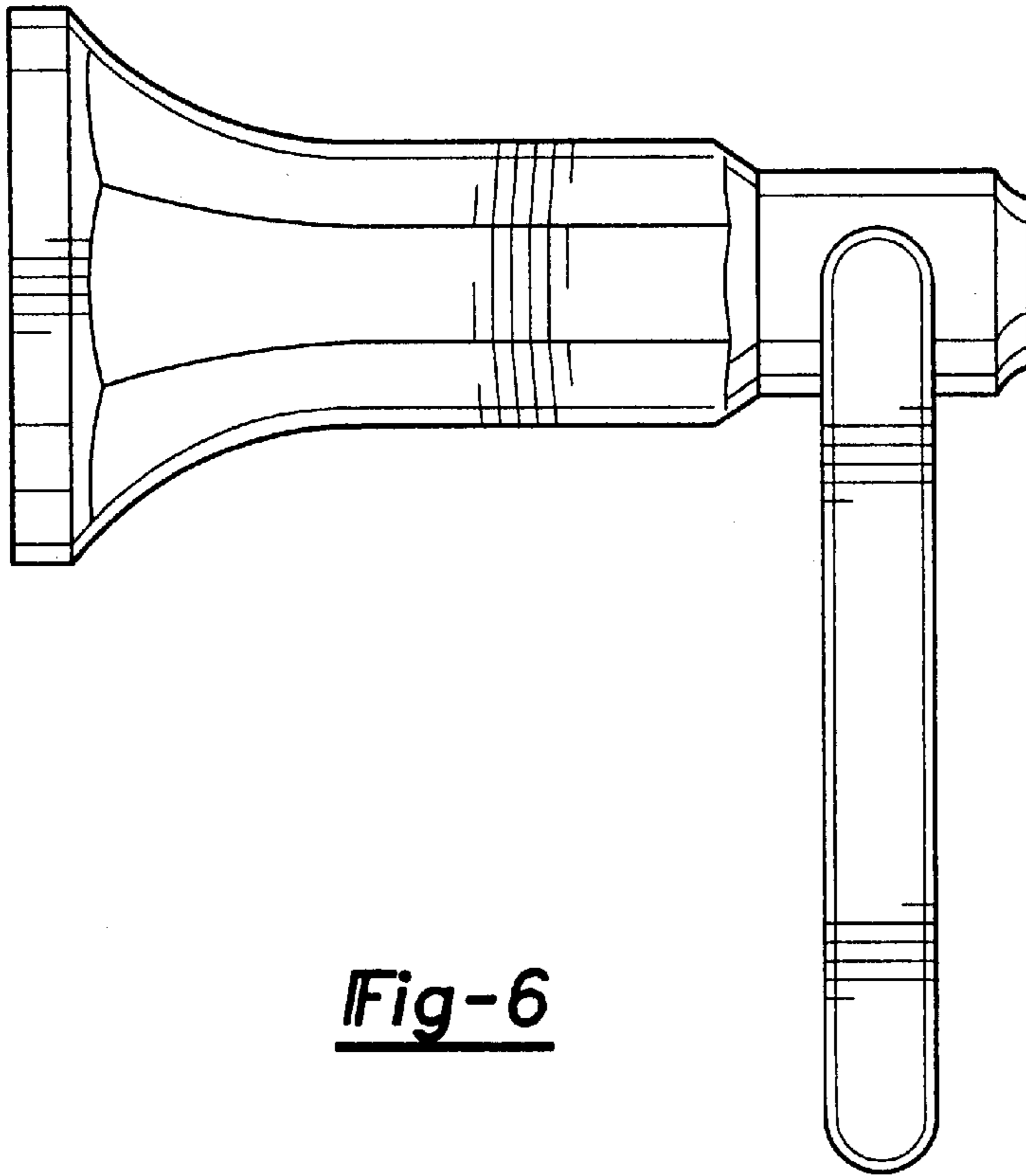


Fig-6

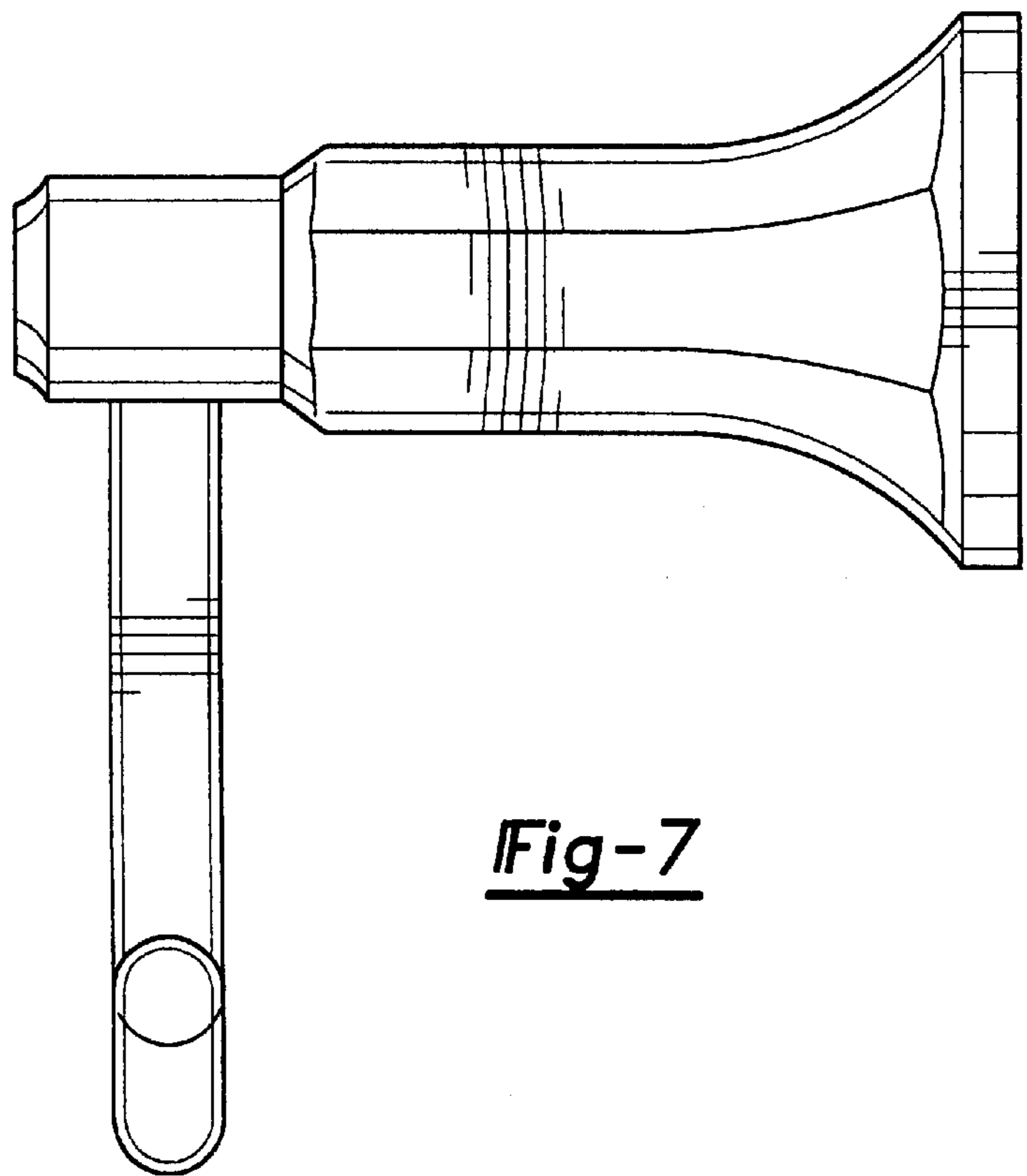


Fig-7