



US00D471746S

(12) **United States Design Patent**
Köllner

(10) **Patent No.:** **US D471,746 S**

(45) **Date of Patent:** **** Mar. 18, 2003**

(54) **HANGER**

(75) Inventor: **Hanns-Joachim Köllner**, Düsseldorf
(DE)

(73) Assignee: **Wenko-Wenselaar GmbH & Co. KG**,
Hilden (DE)

(**) Term: **14 Years**

(21) Appl. No.: **29/155,943**

(22) Filed: **Feb. 22, 2002**

(51) **LOC (7) Cl.** **06-06**

(52) **U.S. Cl.** **D6/513**

(58) **Field of Search** D6/513, 514, 546,
D6/548; 211/13.1, 85.3, 16, 86.01, 87.01,
88.04, 113, 119, 123, 182; 248/251, 317,
340

(56) **References Cited**

U.S. PATENT DOCUMENTS

D287,550 S * 1/1987 Tocci D6/548 X
4,991,724 A * 2/1991 Wei 211/88.04
D354,412 S * 1/1995 Emery D6/548

D367,793 S * 3/1996 Macek D6/548

D377,728 S * 2/1997 Klein et al. D6/548 X

D398,468 S * 9/1998 Yemini D6/548

D419,349 S * 1/2000 Klein et al. D6/548 X

* cited by examiner

Primary Examiner—Brian N. Vinson

(74) *Attorney, Agent, or Firm*—Crowell & Moring LLP

(57) **CLAIM**

The ornamental design for a hanger, as shown and described.

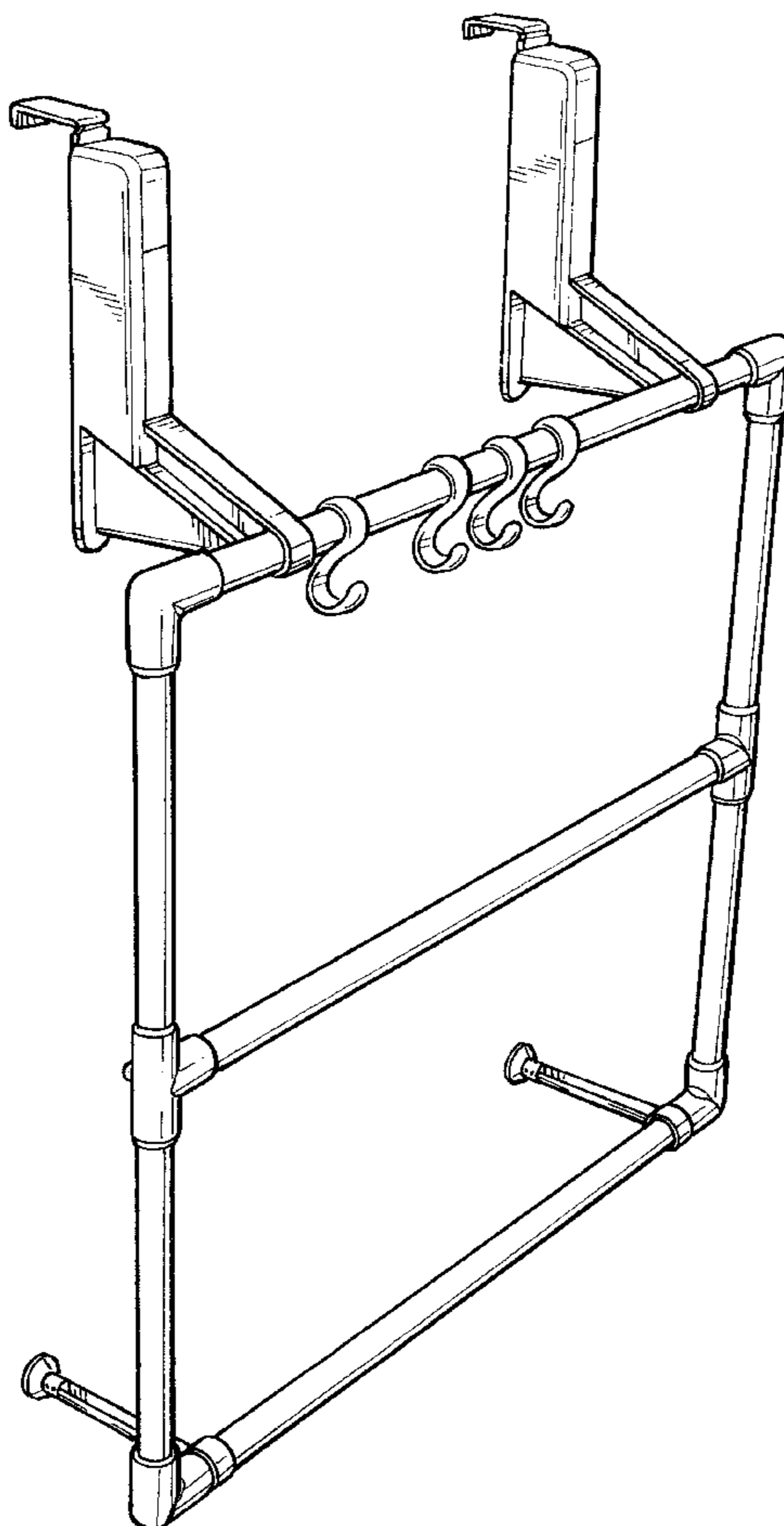
DESCRIPTION

This application is related to the following co-pending applications, of the inventor, filed on even date herewith: Application Ser. No. 29/155,945, entitled “Hanger”; Application Ser. No. 29/155,944, entitled “Hanger”; Application Ser. No. 29/155,942, entitled “Hanger”; and Application Ser. No. 29/155,941, entitled “Hanger”.

FIG. 1 is a left perspective view of a hanger according to my novel design; and,

FIG. 2 is a front view of the hanger according to my novel design.

1 Claim, 2 Drawing Sheets



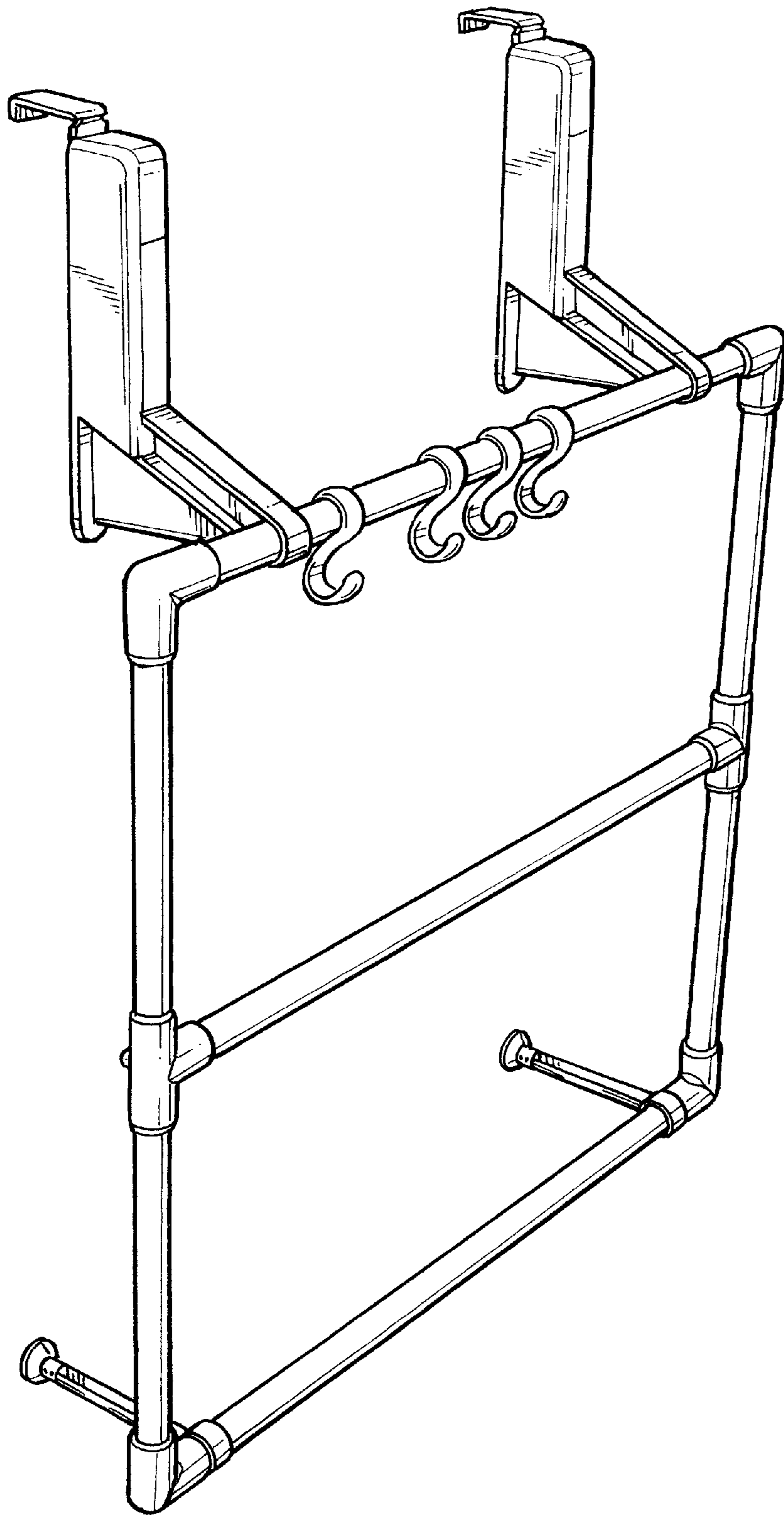


FIG. 1

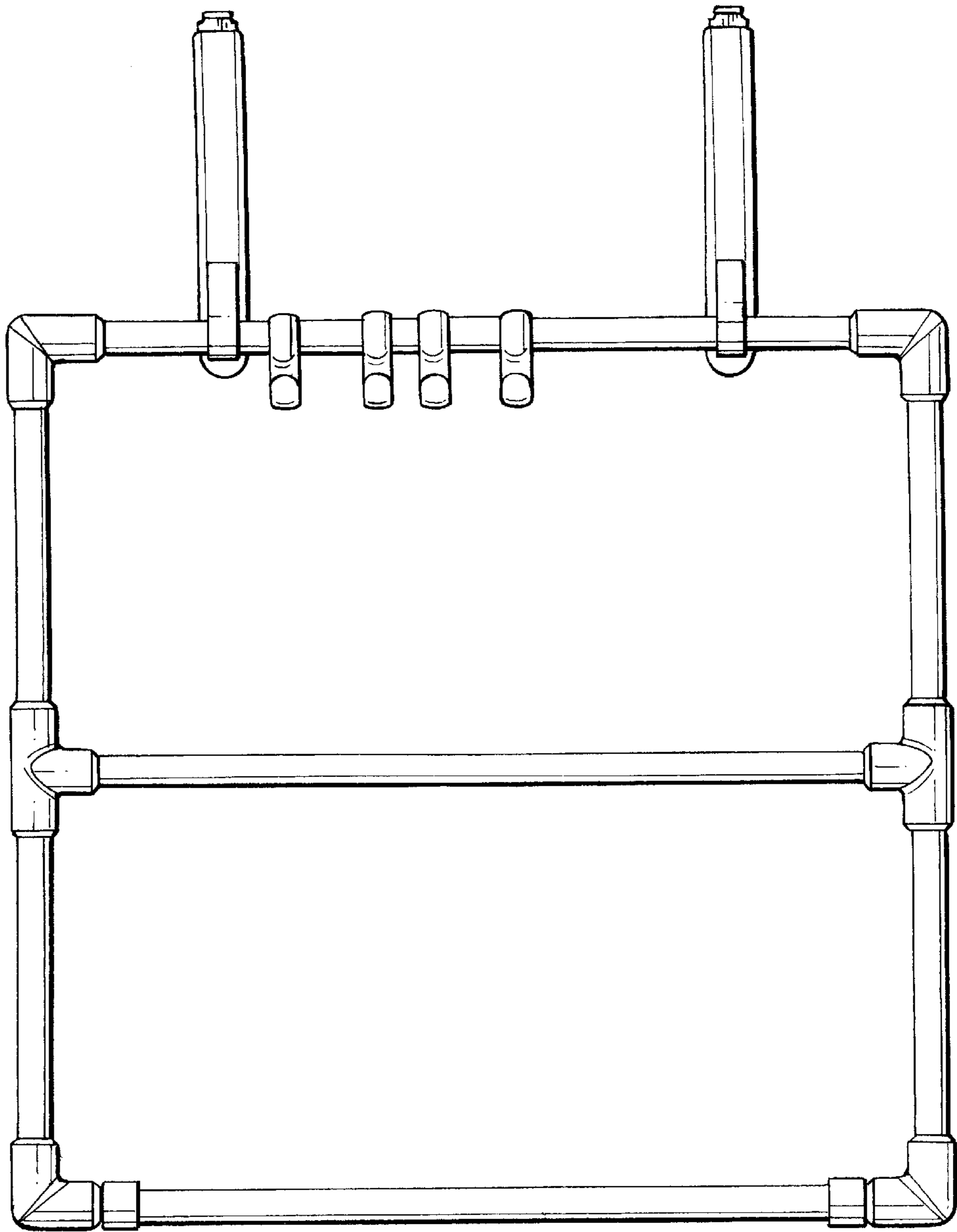


FIG. 2