



US00D471743S

(12) **United States Design Patent**
Chen

(10) **Patent No.:** **US D471,743 S**

(45) **Date of Patent:** **** Mar. 18, 2003**

(54) **TRAY FOR A CHAIR LEG**

(76) **Inventor:** **Su-Ming Chen**, No. 566, Fong-Lin 2nd Rd., Ta-Liao Hsiang, Kaohsiung Hsien (TW)

(**) **Term:** **14 Years**

(21) **Appl. No.:** **29/160,252**

(22) **Filed:** **May 8, 2002**

(51) **LOC (7) Cl.** **06-06**

(52) **U.S. Cl.** **D6/500; D6/501**

(58) **Field of Search** D6/334, 335, 360, D6/364, 365, 366, 367, 500, 501, 502; 297/182, 423.38, 451.5, 461

(56) **References Cited**

U.S. PATENT DOCUMENTS

D261,078 S * 10/1981 Wilson D6/360
D274,865 S * 7/1984 Murry D6/360
D274,958 S * 8/1984 Aronowitz et al. D6/360

D283,762 S * 5/1986 Caruso D6/360

4,623,195 A * 11/1986 Avella 297/423.38

D326,372 S * 5/1992 Edwards D6/360

* cited by examiner

Primary Examiner—Gary D. Watson

(74) *Attorney, Agent, or Firm*—Sughrue Mion, PLLC

(57) **CLAIM**

The ornamental design for tray for a chair leg, as shown and described.

DESCRIPTION

FIG. 1 is a perspective view of tray for a chair leg showing my new design;

FIG. 2 is a front elevational view thereof;

FIG. 3 is a rear elevational view thereof;

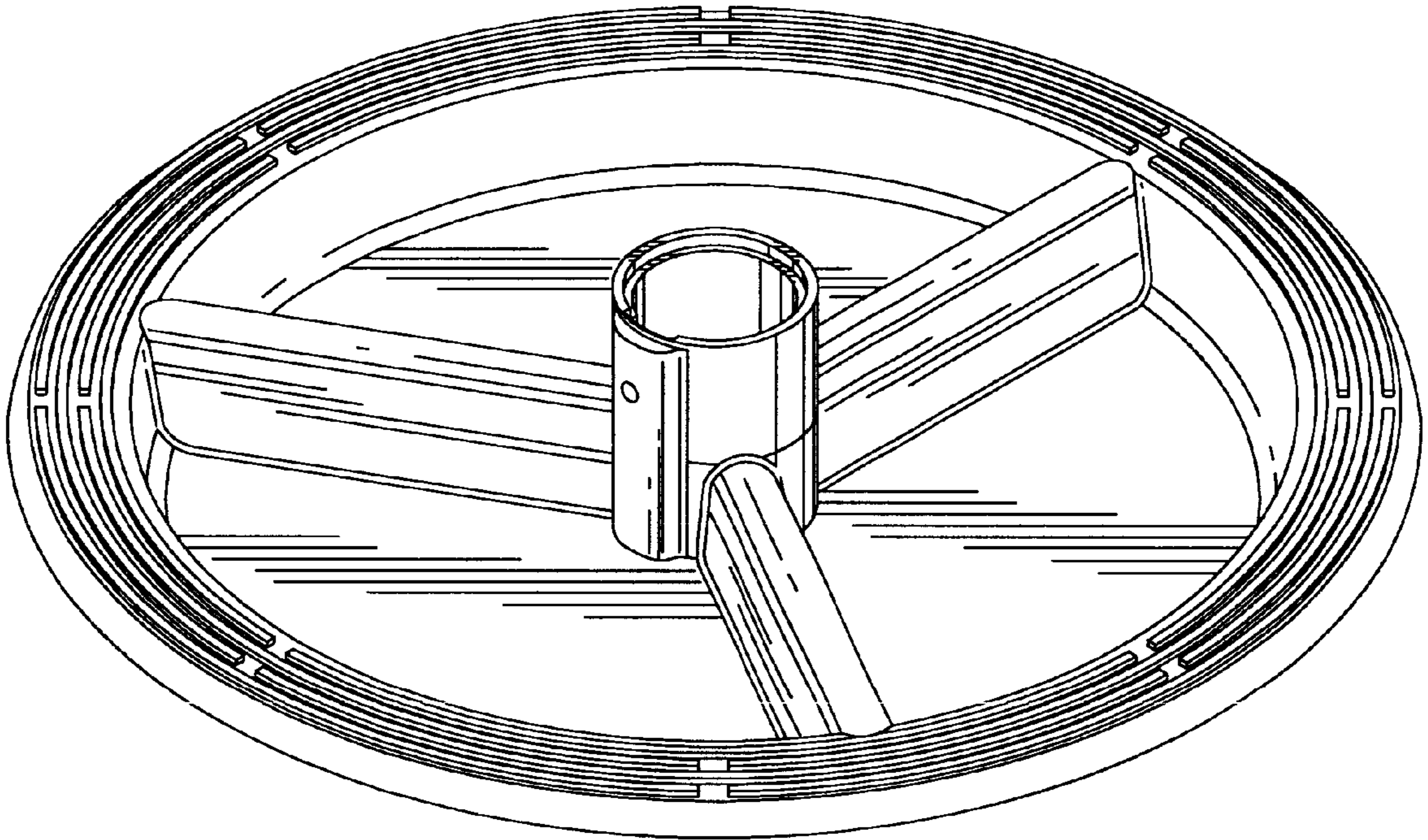
FIG. 4 is a left side elevational view thereof;

FIG. 5 is a right side elevational view thereof;

FIG. 6 is a top plan view thereof; and,

FIG. 7 is a bottom plan view thereof.

1 Claim, 4 Drawing Sheets



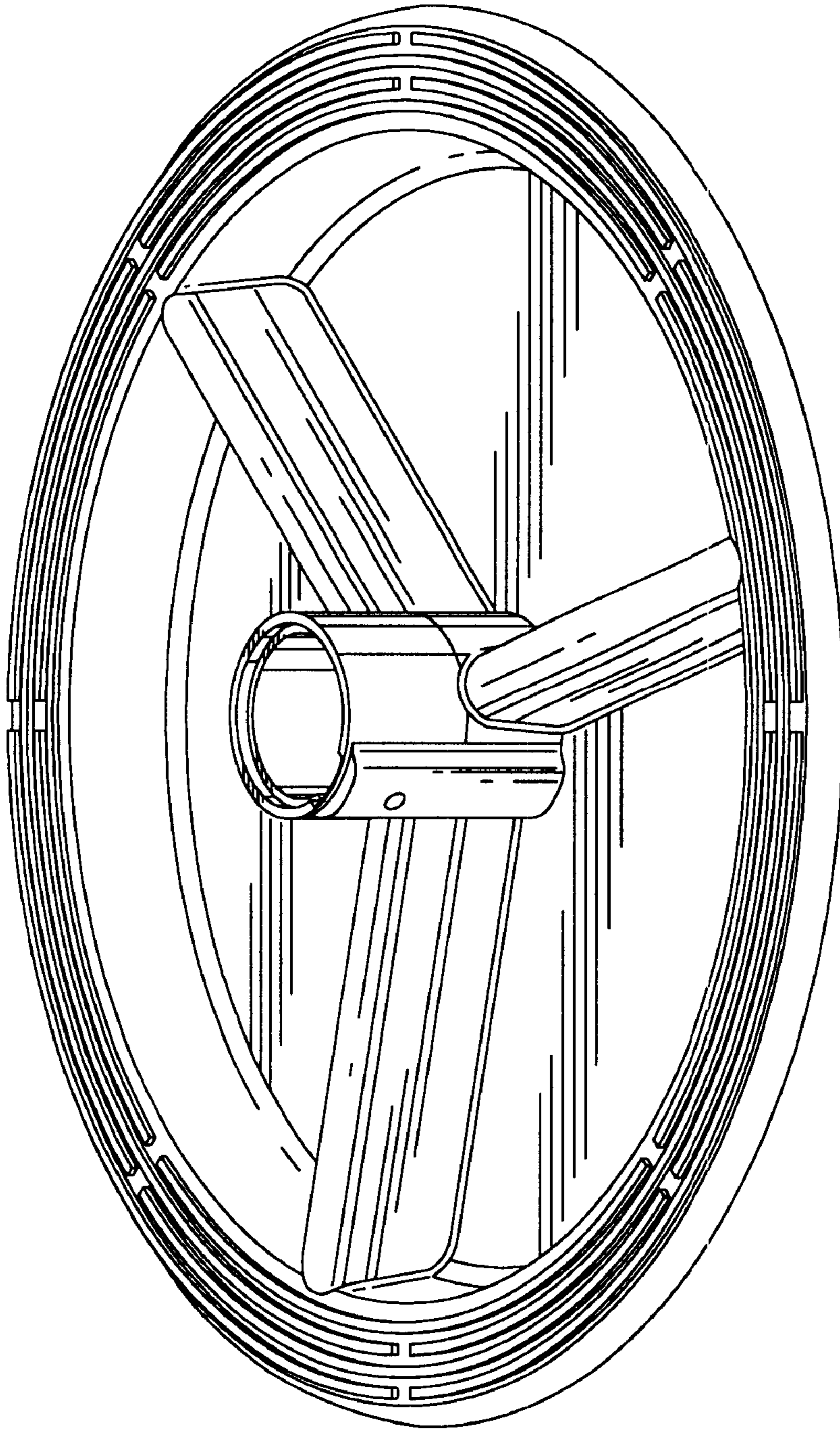


FIG. 1

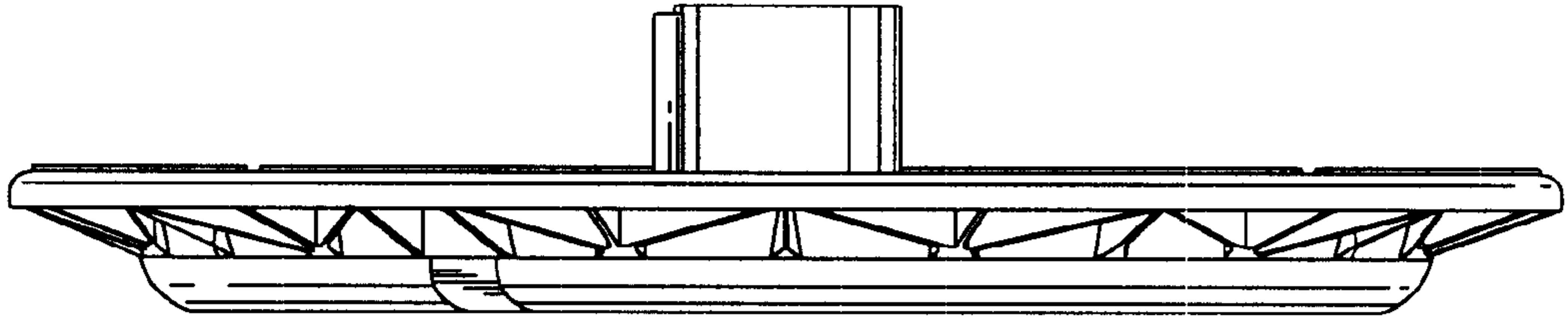


FIG. 2

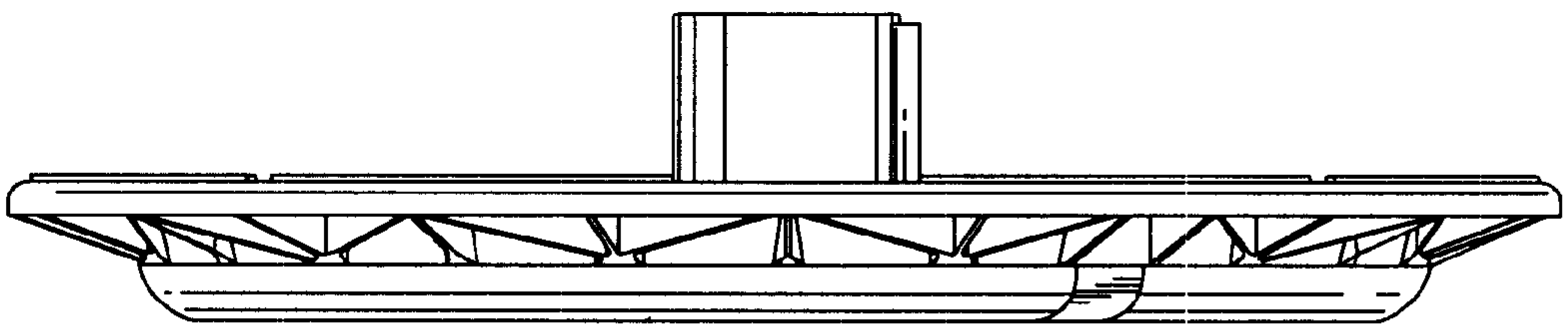


FIG. 3

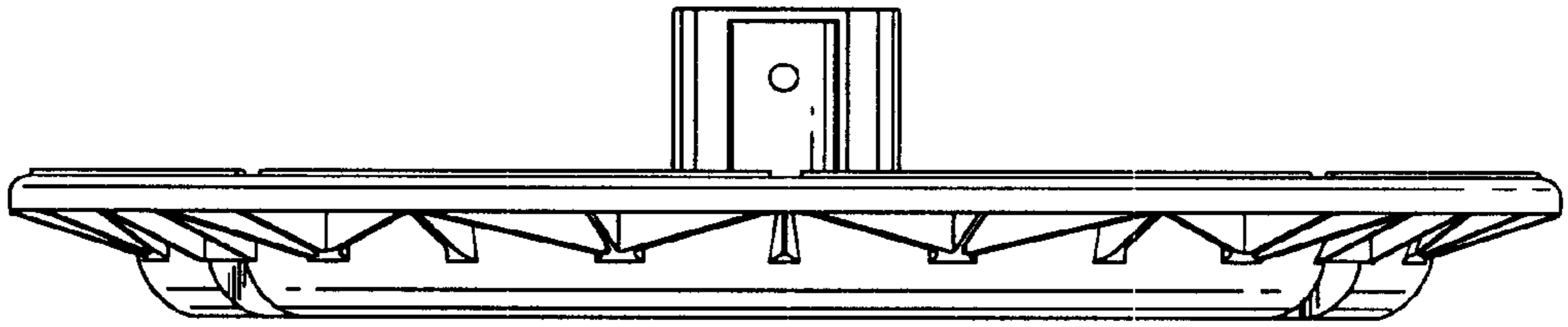


FIG. 4

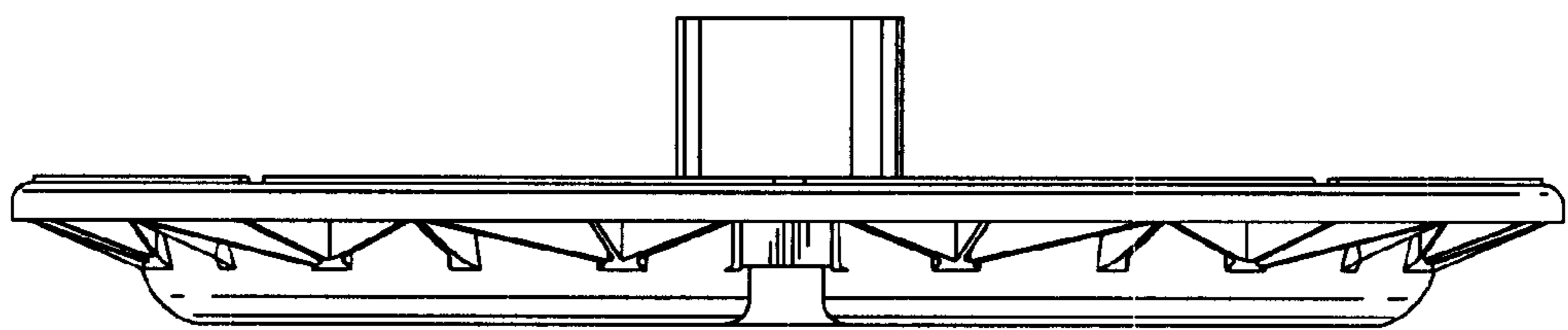


FIG. 5

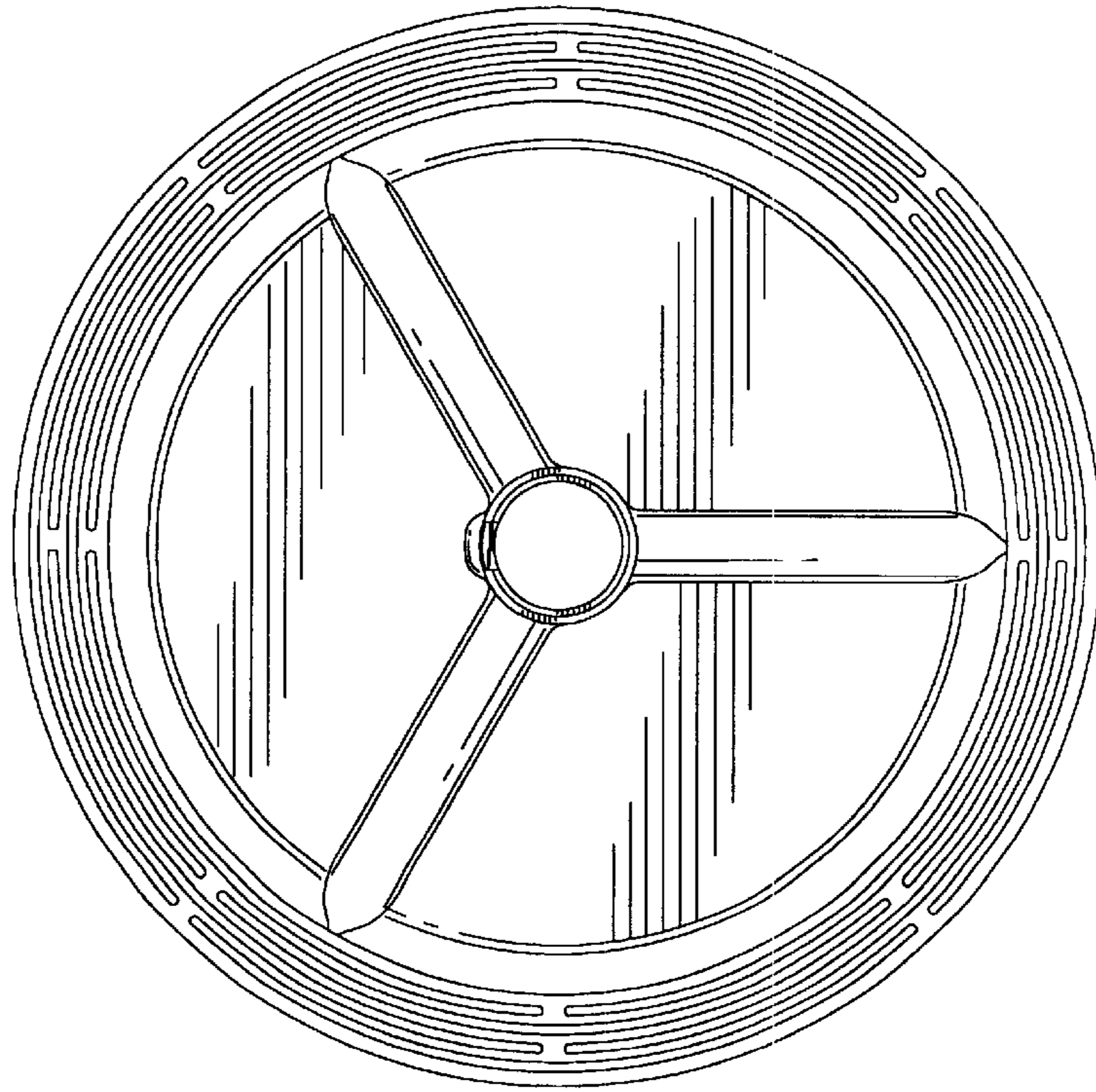


FIG. 6

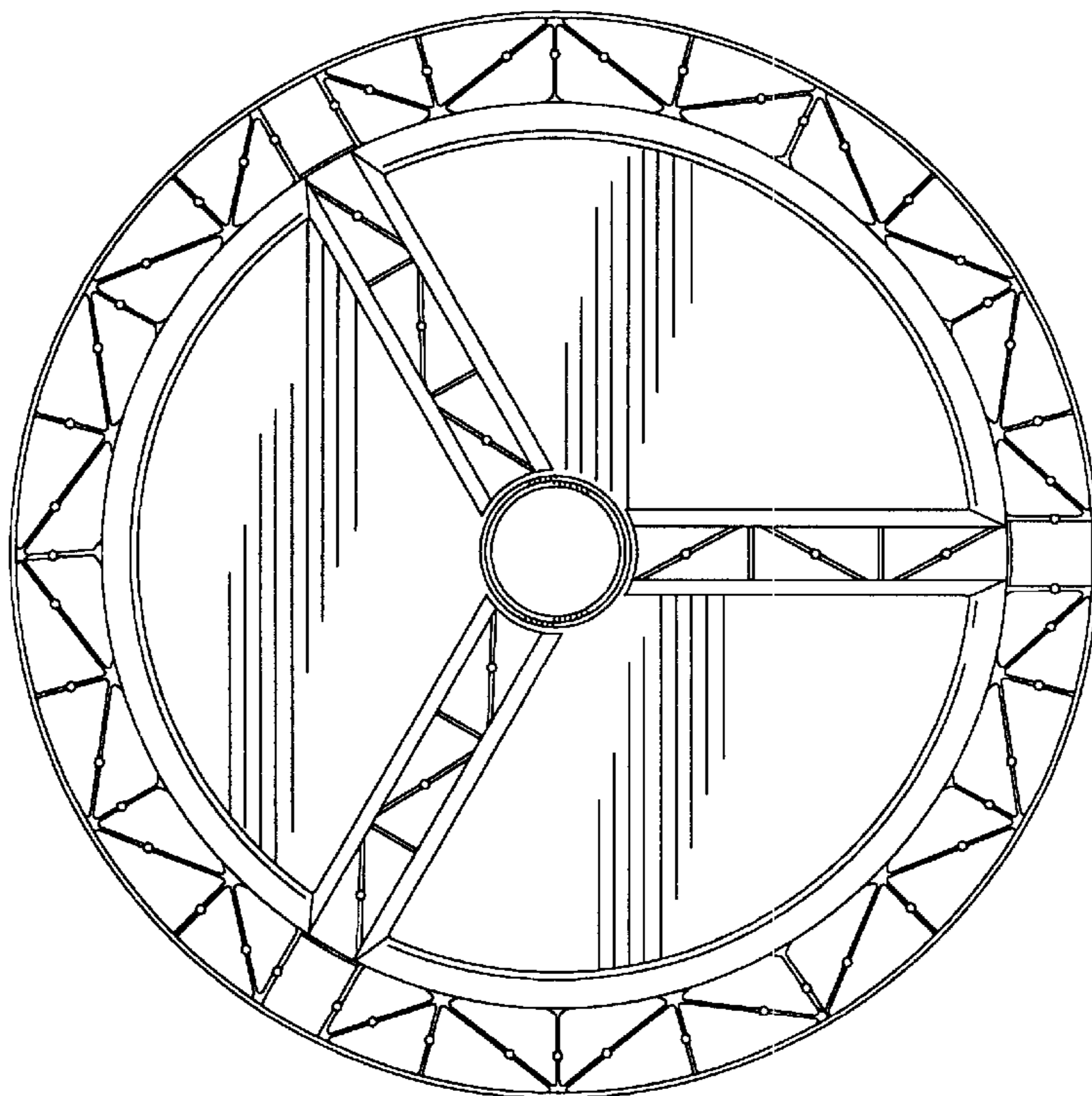


FIG. 7