



US00D471742S

(12) **United States Design Patent**
Muller

(10) **Patent No.:** **US D471,742 S**

(45) **Date of Patent:** **** Mar. 18, 2003**

(54) **DINING TABLE**

D351,300 S * 10/1994 Cox D6/487

(75) **Inventor:** **Carl Muller**, Huntington Beach, CA
(US)

OTHER PUBLICATIONS

Selig Tables, #612-08D table.*

(73) **Assignee:** **Elite Manufacturing Corp.**, Santa Fe
Springs, CA (US)

* cited by examiner

(**) **Term:** **14 Years**

Primary Examiner—Janice E. Seeger

(74) *Attorney, Agent, or Firm*—George W. Finch

(21) **Appl. No.:** **29/158,967**

(57) **CLAIM**

(22) **Filed:** **Apr. 13, 2002**

The ornamental design for a dining table, as shown and described.

(51) **LOC (7) Cl.** **06-03**

DESCRIPTION

(52) **U.S. Cl.** **D6/488**

(58) **Field of Search** D6/480-489, 495,
D6/511, 477; 108/150, 153.1, 155, 156,
157.1, 161; 248/188, 188.1, 188.8

FIG. 1 is a perspective view showing the front side, left side and top of the ornamental design;

FIG. 2 is a front elevational view of the same, which is identical to the right side, left side and rear views;

FIG. 3 is a top plan view of the same; and,

FIG. 4 is an underside view of the same.

(56) **References Cited**

U.S. PATENT DOCUMENTS

D182,037 S * 2/1958 Noguchi D6/486

1 Claim, 3 Drawing Sheets

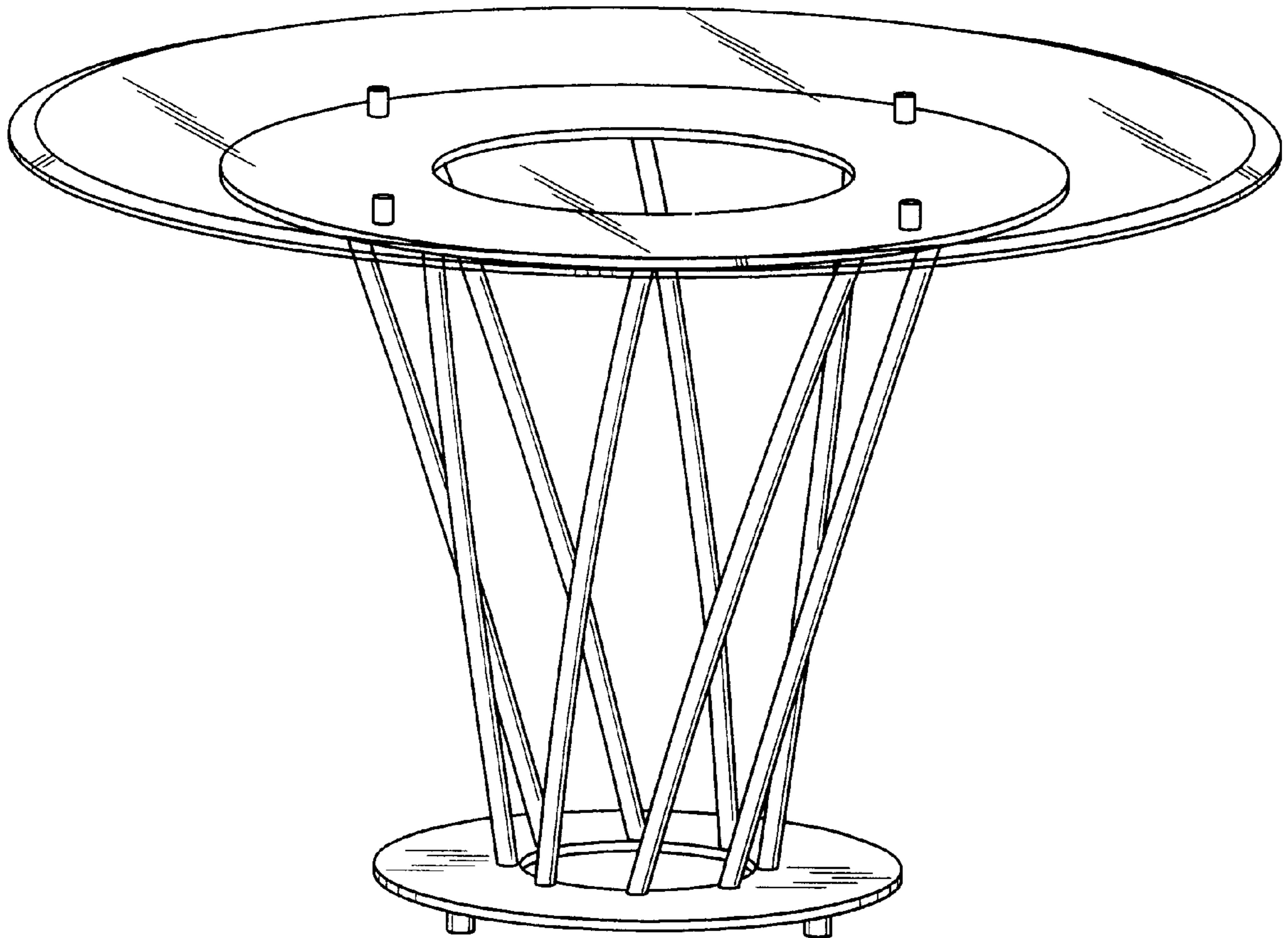


Fig. 1

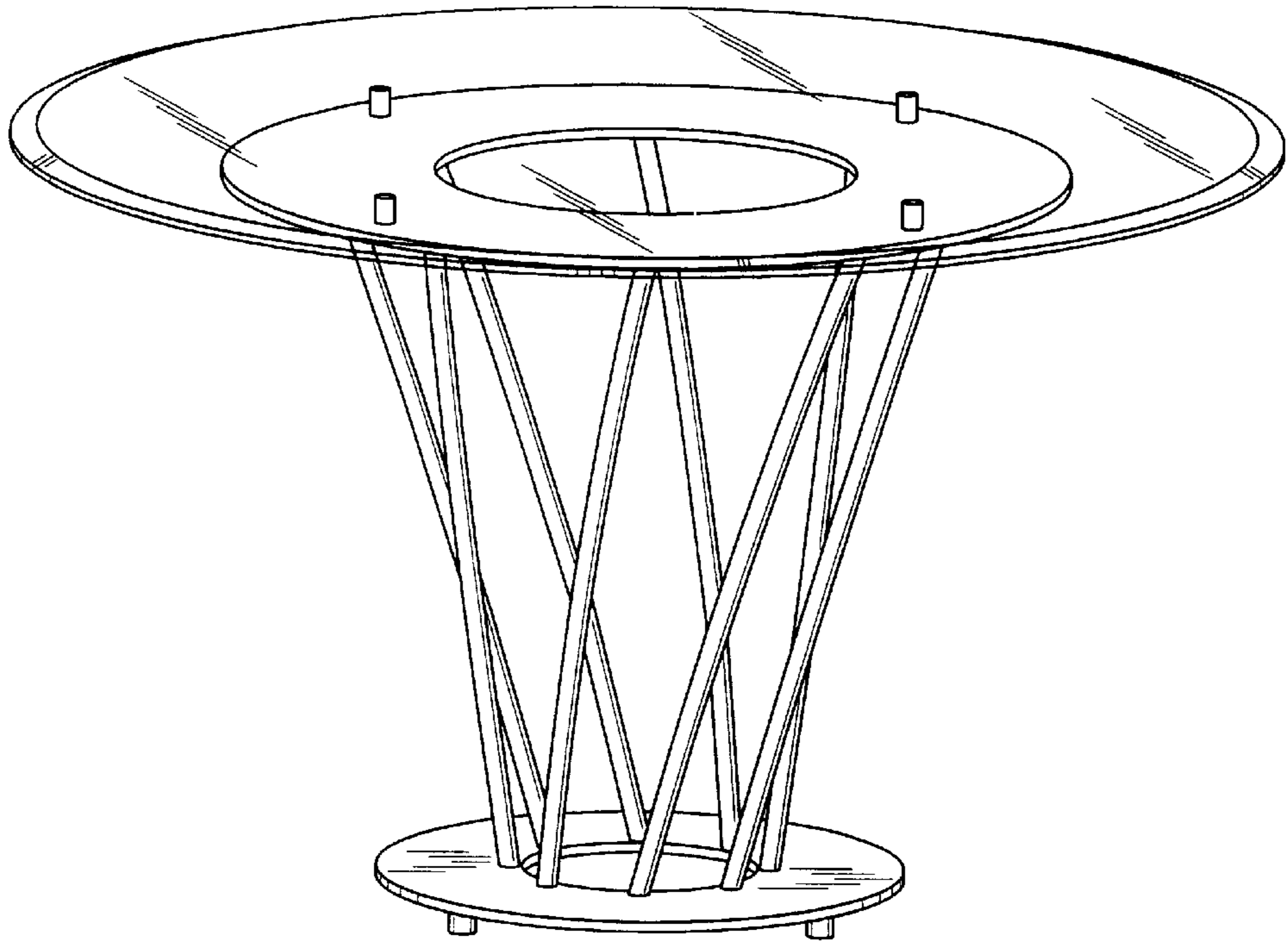


Fig. 2

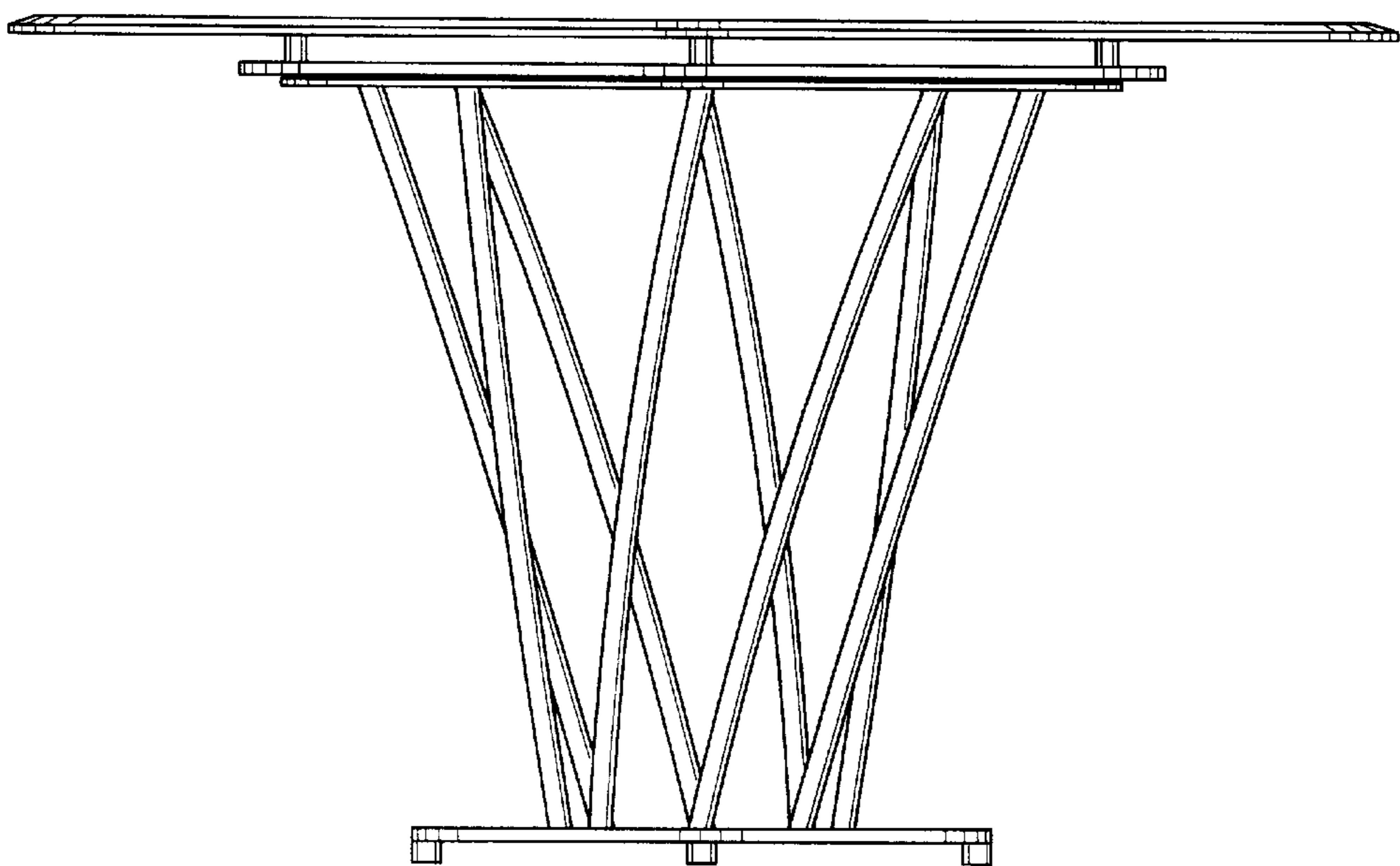


Fig. 3

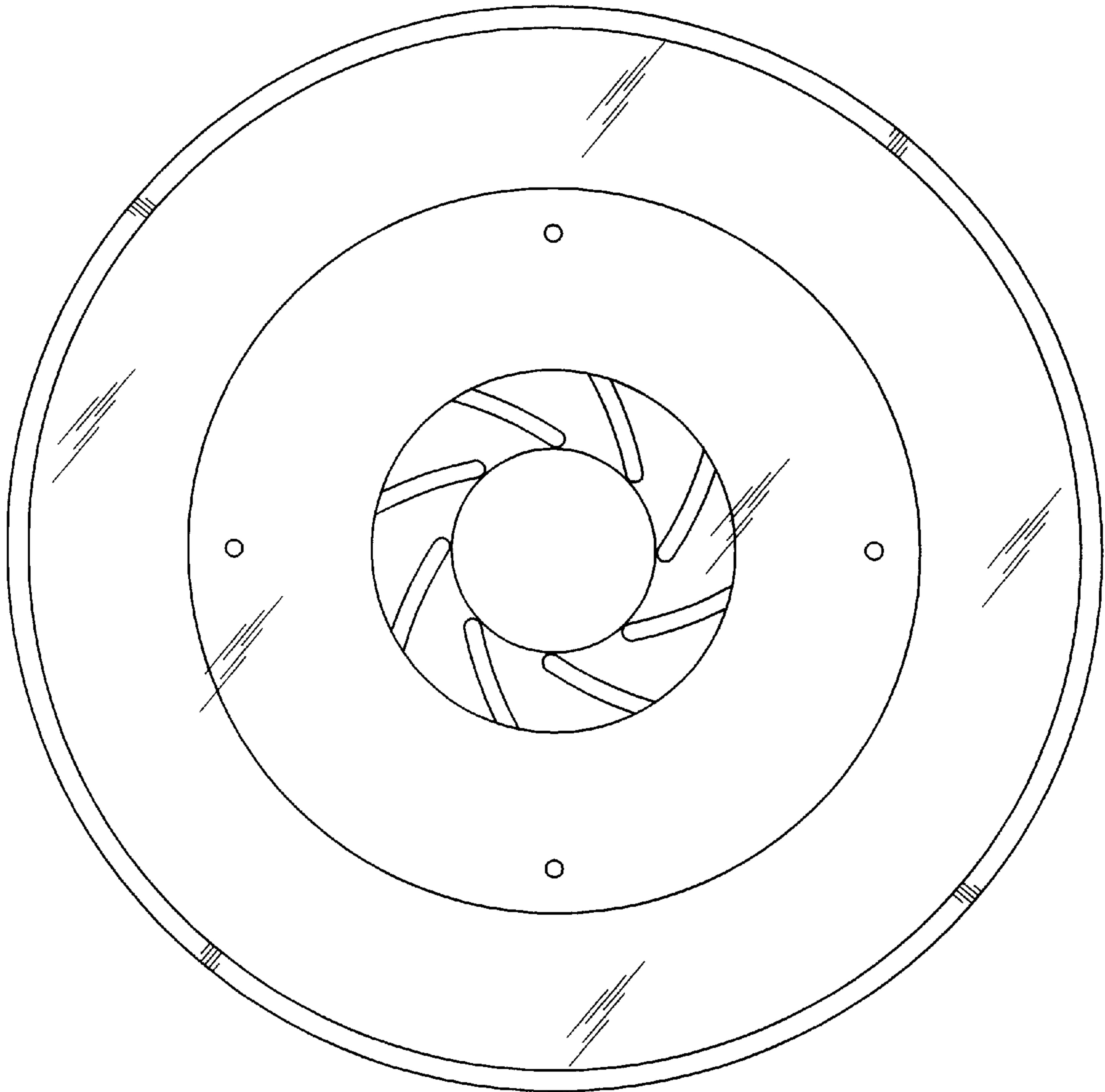


Fig. 4

