



US00D471741S

(12) **United States Design Patent**  
**Barber**

(10) **Patent No.:** **US D471,741 S**

(45) **Date of Patent:** **\*\* Mar. 18, 2003**

(54) **TABLE COMPOSED ON NON-CONTACTING  
COMPRESSION MEMBERS AND TENSION  
MEMBERS**

(76) **Inventor:** **Geoffrey T. Barber**, 2665 Outlook Dr.,  
Reno, NV (US) 89509

(\*\*) **Term:** **14 Years**

(21) **Appl. No.:** **29/158,707**

(22) **Filed:** **Apr. 5, 2002**

(51) **LOC (7) Cl.** ..... **06-03**

(52) **U.S. Cl.** ..... **D6/487; D6/480**

(58) **Field of Search** ..... D6/480-489, 495-499,  
D6/511; 108/150, 153.1, 155, 156, 157.1,  
161; 248/188, 188.1, 188.8

(56) **References Cited**

**U.S. PATENT DOCUMENTS**

3,063,521 A	11/1962	Fuller
3,169,611 A	2/1965	Snelson
3,354,591 A	11/1967	Fuller
3,600,825 A	8/1971	Pearce
3,663,346 A	5/1972	Schoen
3,866,366 A	2/1975	Fuller
3,925,941 A	12/1975	Pearce
3,931,697 A	1/1976	Pearce
3,937,426 A	2/1976	Pearce
3,974,600 A	8/1976	Pearce
4,133,152 A	1/1979	Penrose
4,207,715 A	6/1980	Kitrick

4,614,502 A	9/1986	Nelson	
4,711,062 A	12/1987	Gwilliam et al.	
5,007,220 A	4/1991	Lalvani	
5,036,635 A	8/1991	Lalvani	
5,155,951 A	10/1992	Lalvani	
5,265,395 A	11/1993	Lalvani	
5,331,779 A	7/1994	Hing	
D349,619 S	* 8/1994	Li	..... D6/499
D386,328 S	* 11/1997	Good	..... D6/480
D396,974 S	* 8/1998	D'Urbino et al.	..... D6/480

\* cited by examiner

*Primary Examiner*—Janice E. Seeger

(74) *Attorney, Agent, or Firm*—Fenwick & West, LLP

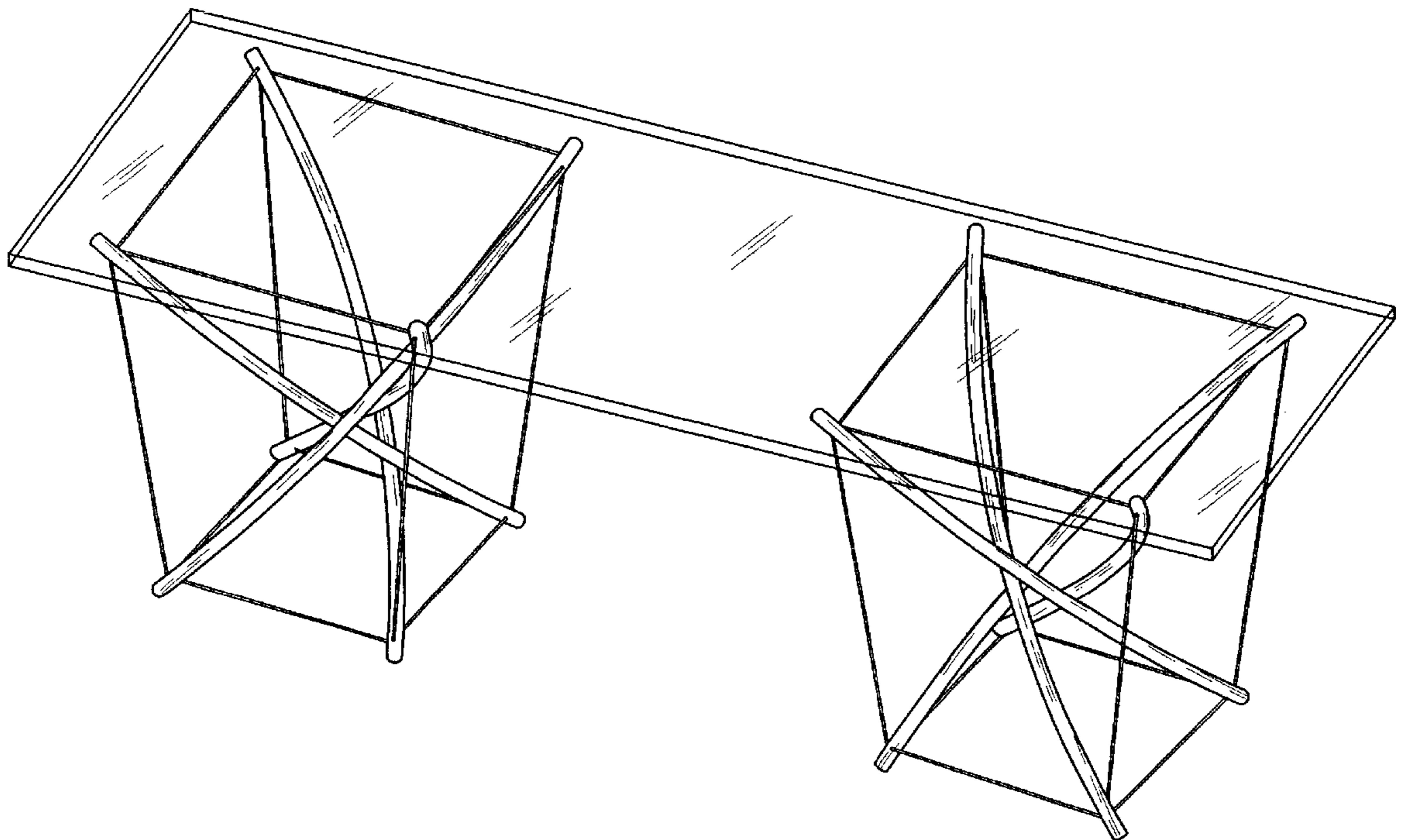
(57) **CLAIM**

The ornamental design for the table composed of non-contacting compression members and tension members, substantially as shown and described.

**DESCRIPTION**

FIG. 1 is a perspective view of a table composed of non-contacting compression members and tension members according to the present invention; FIG. 2 is a front view thereof; FIG. 3 is a rear view thereof; FIG. 4 is a left side view thereof; FIG. 5 is a right side view thereof; FIG. 6 is a top view thereof; and, FIG. 7 is a bottom view thereof.

**1 Claim, 6 Drawing Sheets**



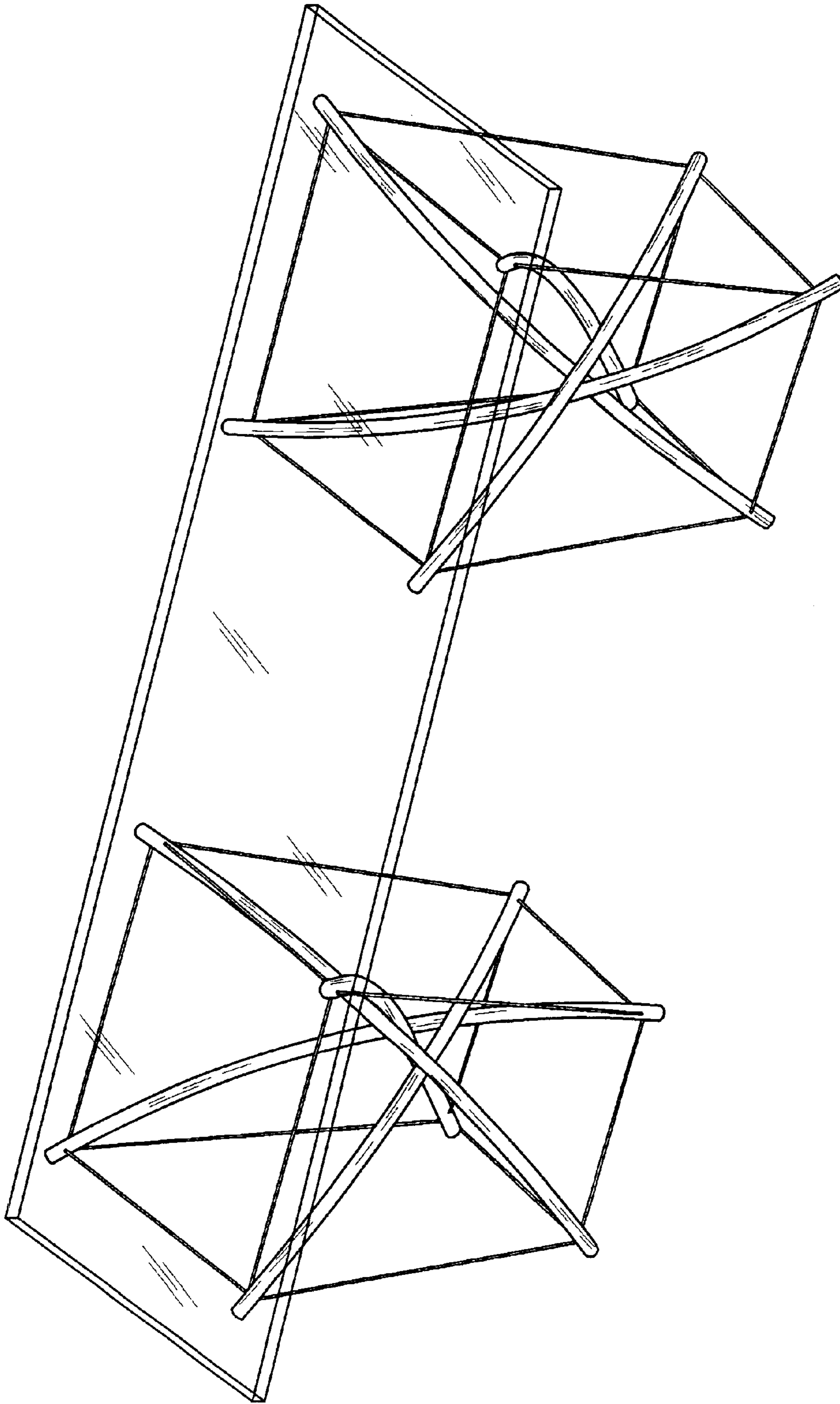


FIG. 1

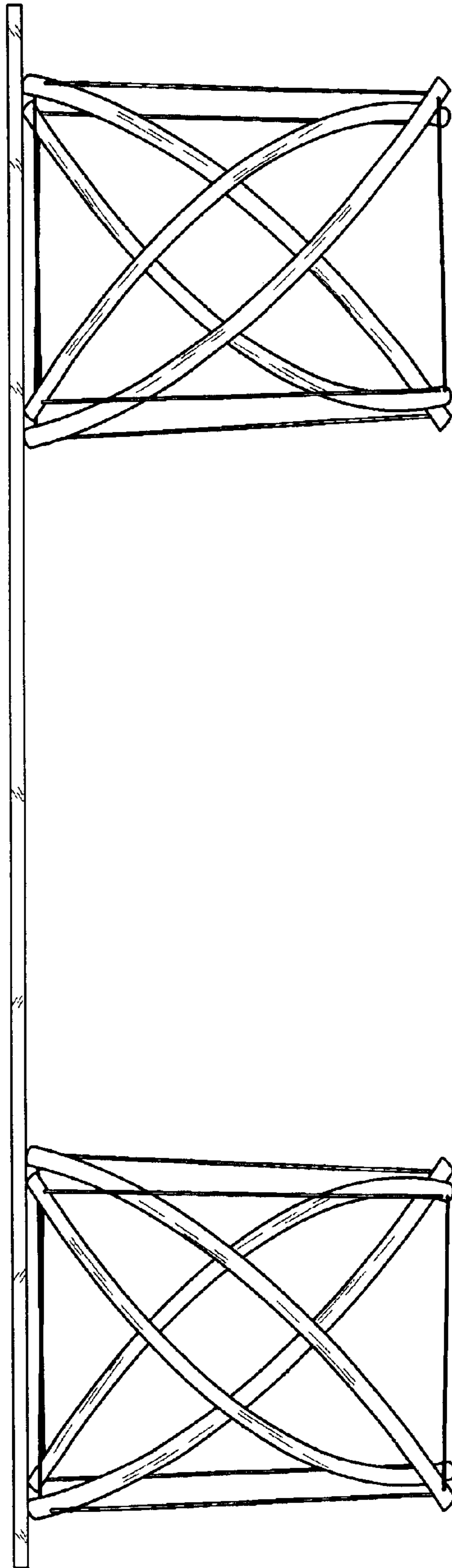


FIG. 2

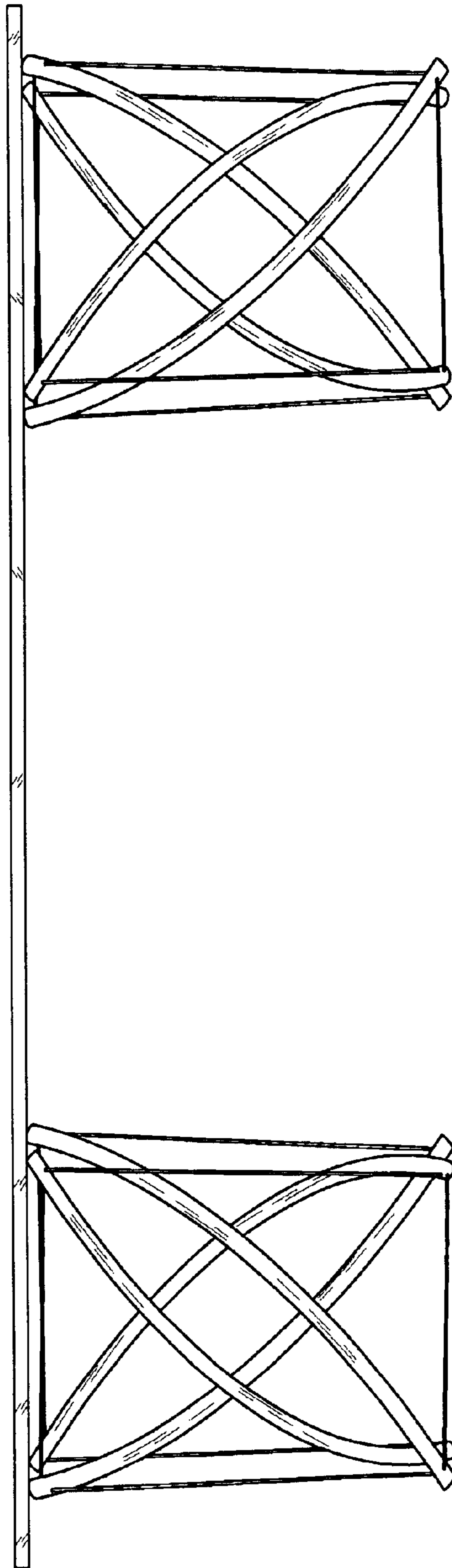
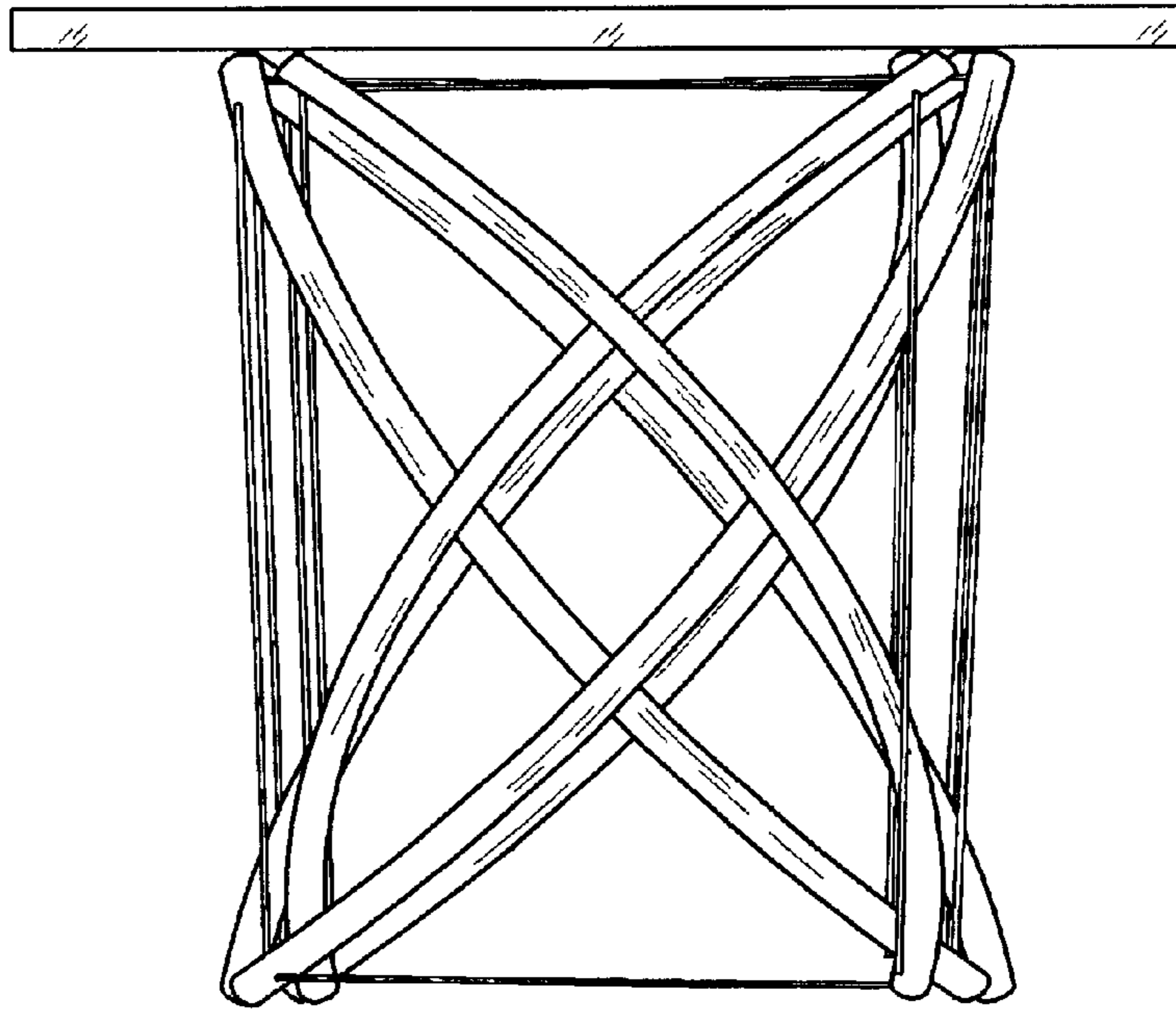
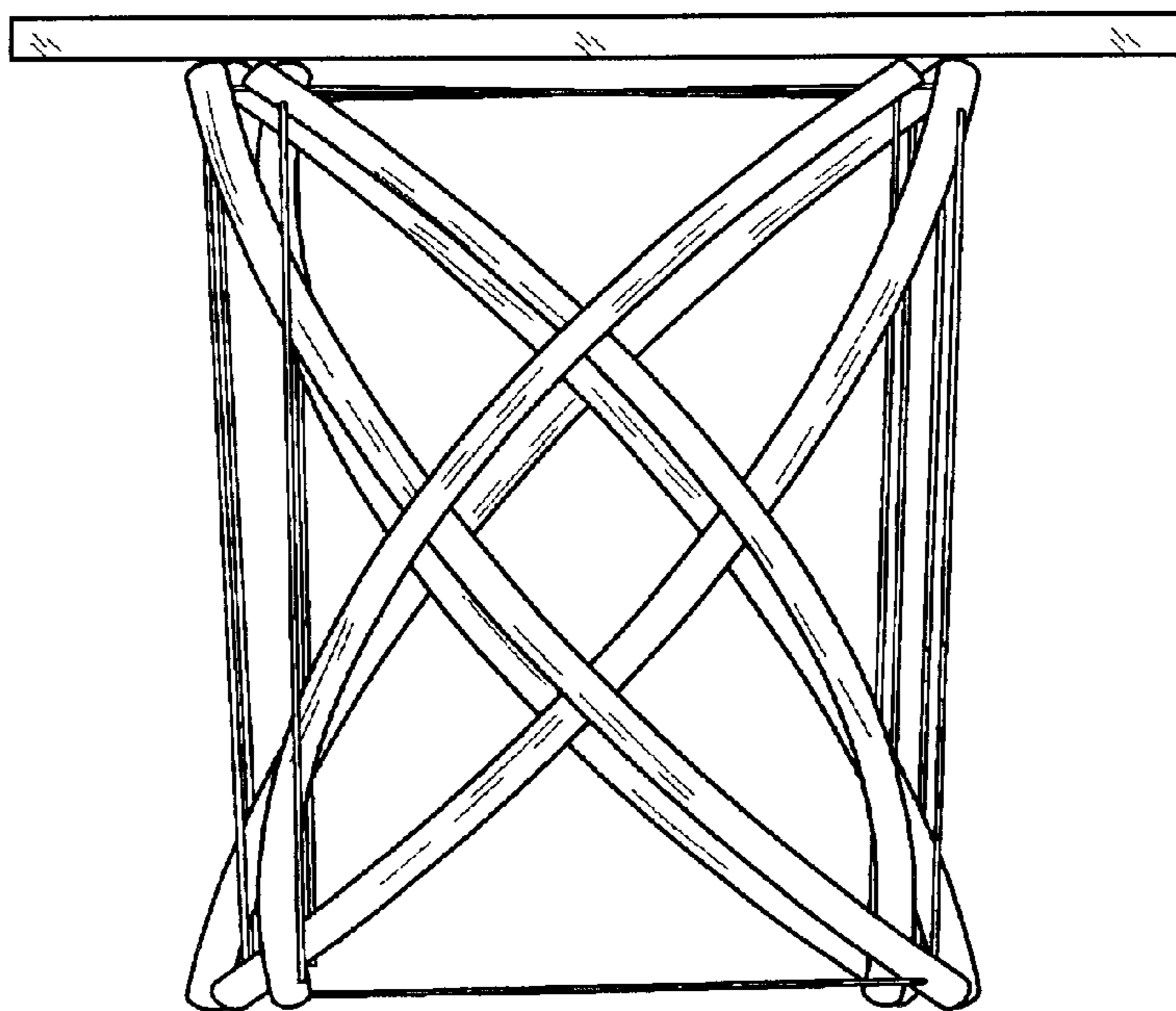


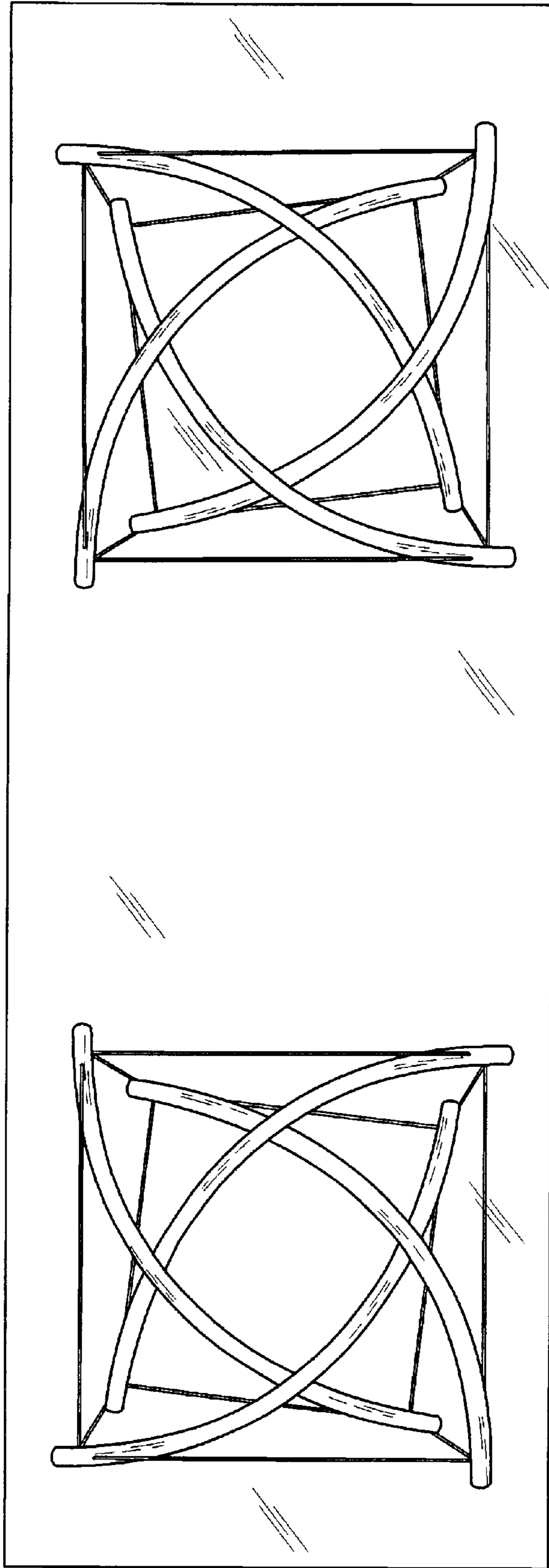
FIG. 3



**FIG. 4**



**FIG. 5**



**FIG. 6**

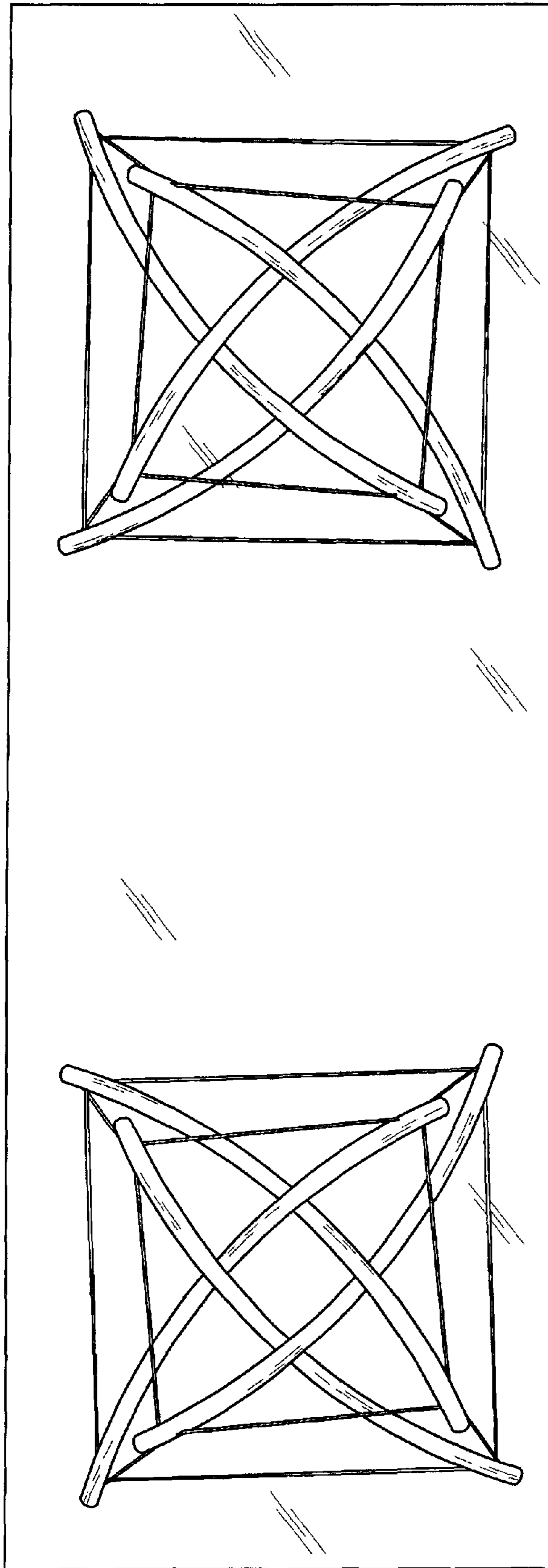


FIG. 7