



US00D471740S

(12) **United States Design Patent**  
**Kaniuk et al.**

(10) **Patent No.: US D471,740 S**

(45) **Date of Patent: \*\* Mar. 18, 2003**

(54) **TABLE WITH RECEPTACLE**

*Primary Examiner*—Janice E. Seeger

(76) Inventors: **Julie Kaniuk**, 203 Queensway West,  
Simcoe, Ontario (CA), N3Y 2M9;  
**Eveline Gloria Kaniuk**, 203  
Queensway West, Simcoe, Ontario  
(CA), N3Y 2M9

(57) **CLAIM**

The ornamental design for a table with receptacle, as shown and described.

(\*\*) Term: **14 Years**

**DESCRIPTION**

(21) Appl. No.: **29/149,984**

FIG. 1 is a top plan view of a table with receptacle with cover in place showing our new design.

(22) Filed: **Oct. 26, 2001**

FIG. 2 is a side elevational view thereof.

(51) **LOC (7) Cl.** ..... **06-03**

FIG. 3 is a bottom plan view thereof.

(52) **U.S. Cl.** ..... **D6/486**

FIG. 4 is front exploded perspective view of our table with a receptacle of our design shown in FIG. 2.

(58) **Field of Search** ..... D6/480–489, 495–499,  
D6/429–431; 108/150, 153.1, 156, 157.1,  
161, 25, 26, 14, 33, 38; 288/188, 188.1

FIG. 5 is a front exploded perspective view of our table with a receptacle of our design shown in FIG. 2.

(56) **References Cited**

**U.S. PATENT DOCUMENTS**

- 596,217 A \* 12/1897 Rapp ..... 108/150
- 2,570,634 A \* 10/1951 Bartschy ..... D6/486
- 3,185,423 A \* 5/1965 Jones ..... D6/480
- D248,703 S \* 8/1978 Morgan, Jr. .... D6/487 X
- D308,611 S \* 6/1990 Hubert ..... D6/486
- 6,321,662 B1 \* 11/2001 Fraise ..... 108/25

FIG. 6 is a top plan view of an alternate embodiment of our design.

FIG. 7 is a top plan view of a table with receptacle with a cover in place showing our new design.

FIG. 8 is a top plan view of an alternate embodiment of our design.

FIG. 9 is a front perspective view of the embodiment shown in FIG. 6.

FIG. 10 is a front perspective view of the design shown in FIG. 7; and,

FIG. 11 is a front perspective view of the embodiment shown in FIG. 8.

\* cited by examiner

**1 Claim, 7 Drawing Sheets**

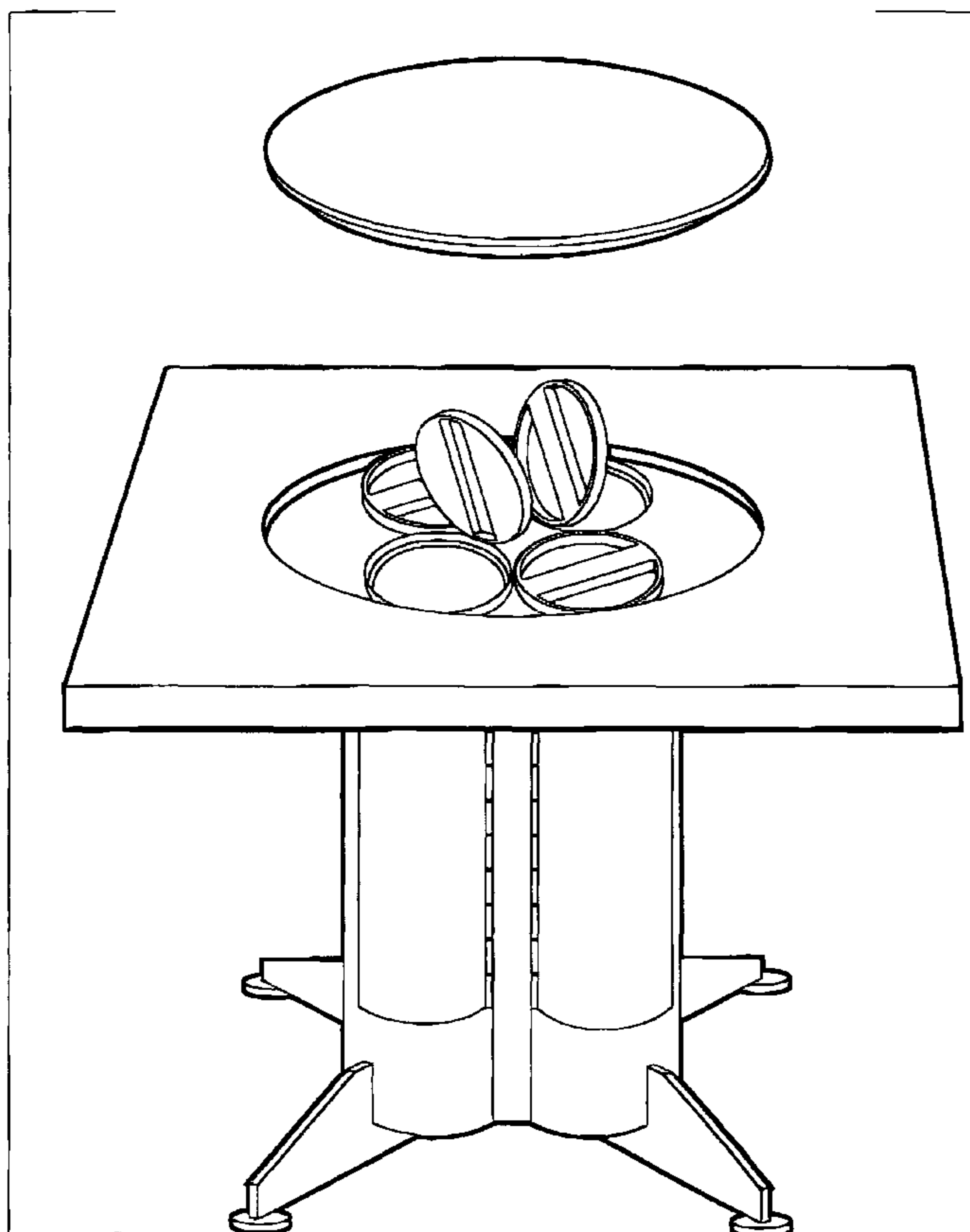


FIG. 1

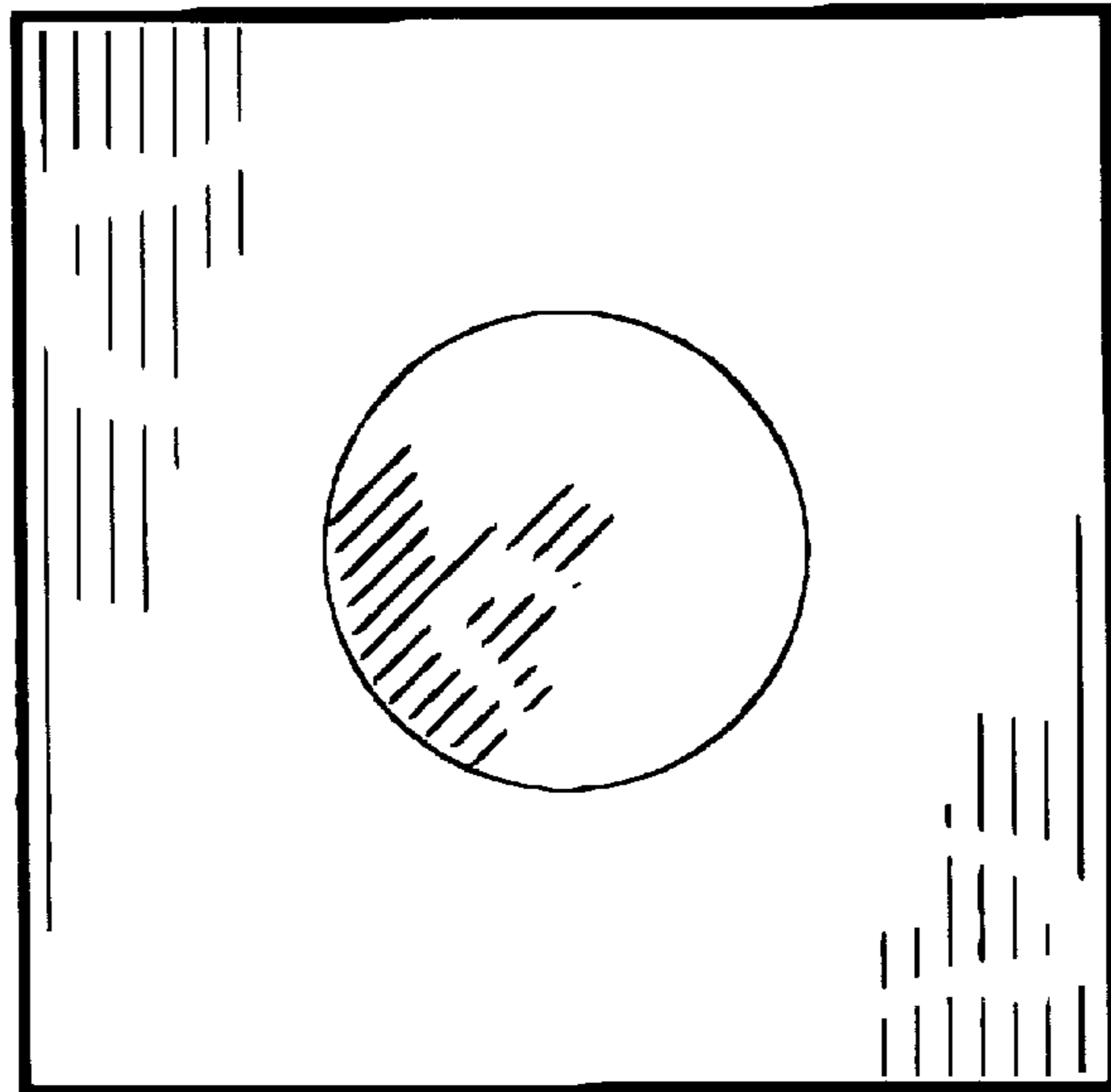


FIG. 2

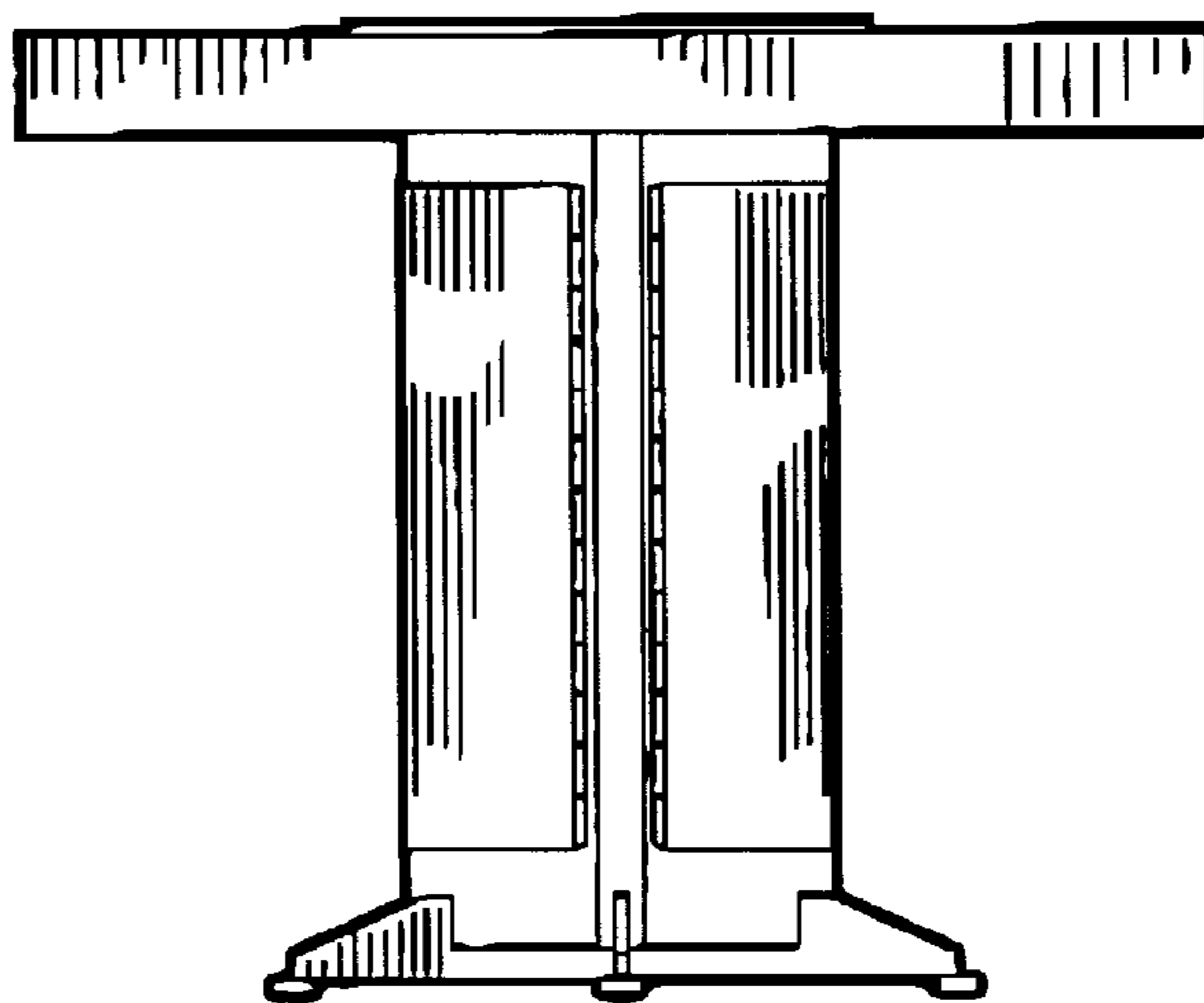


FIG. 3

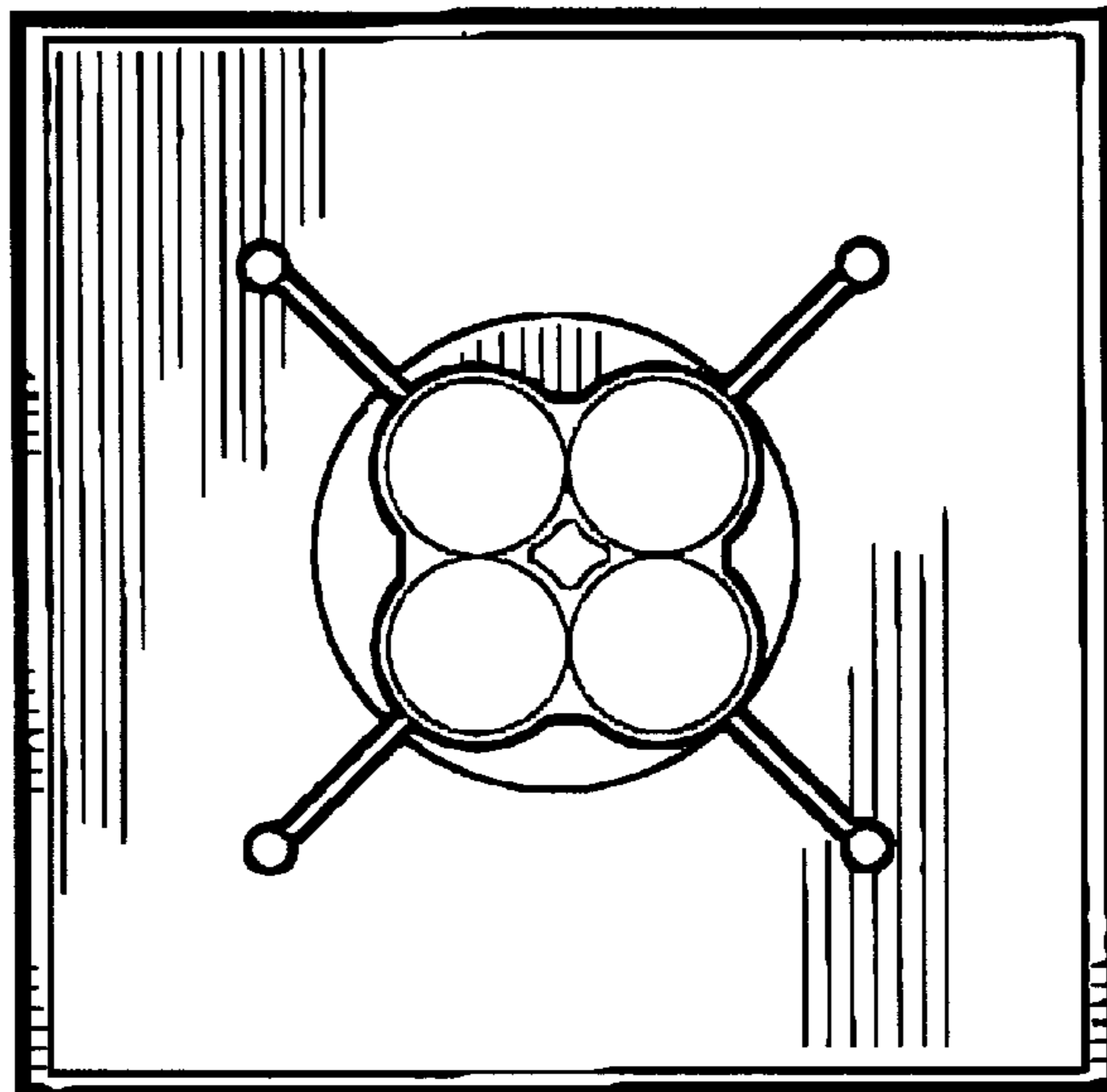


FIG. 4

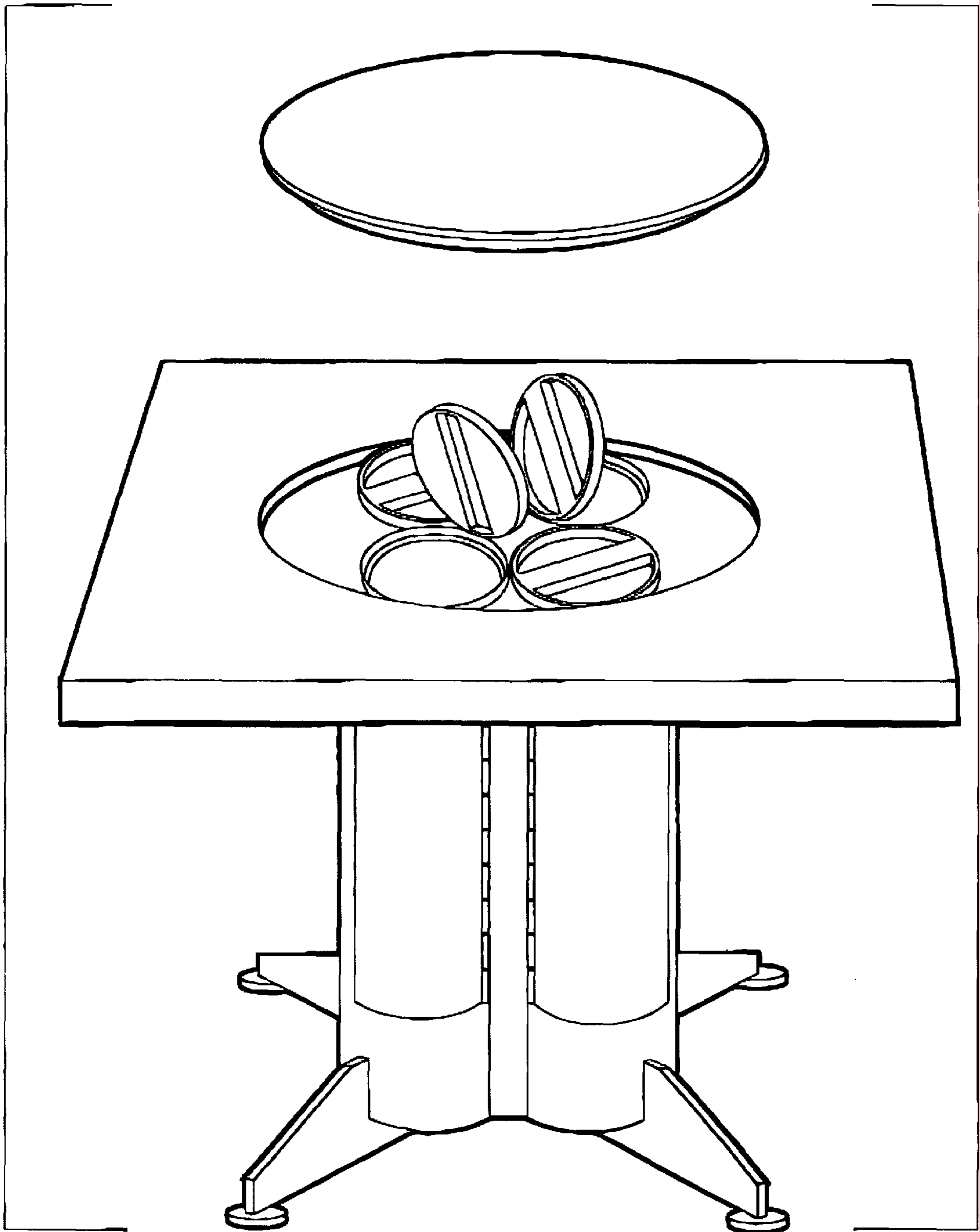


FIG. 5

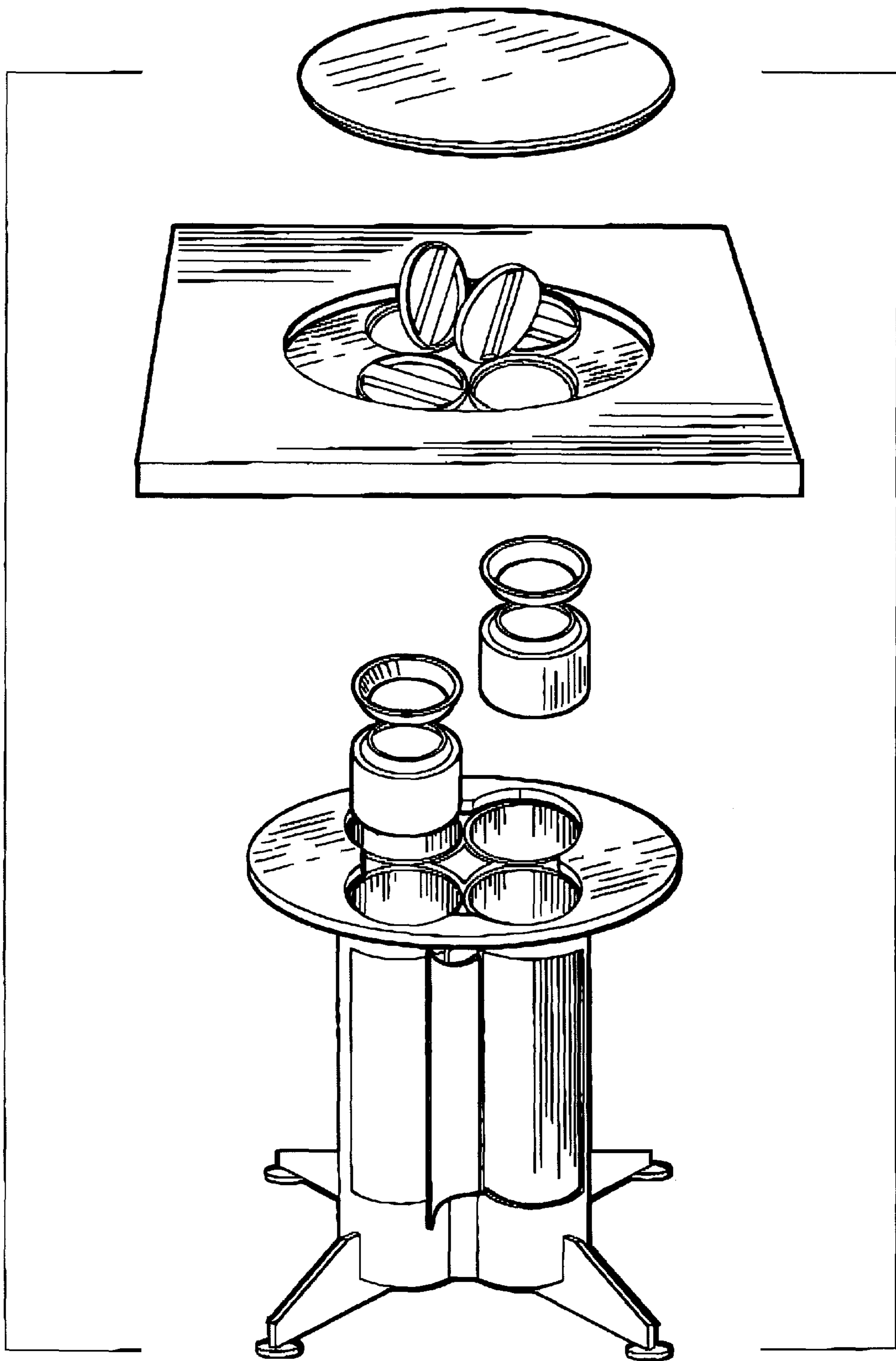


FIG. 6

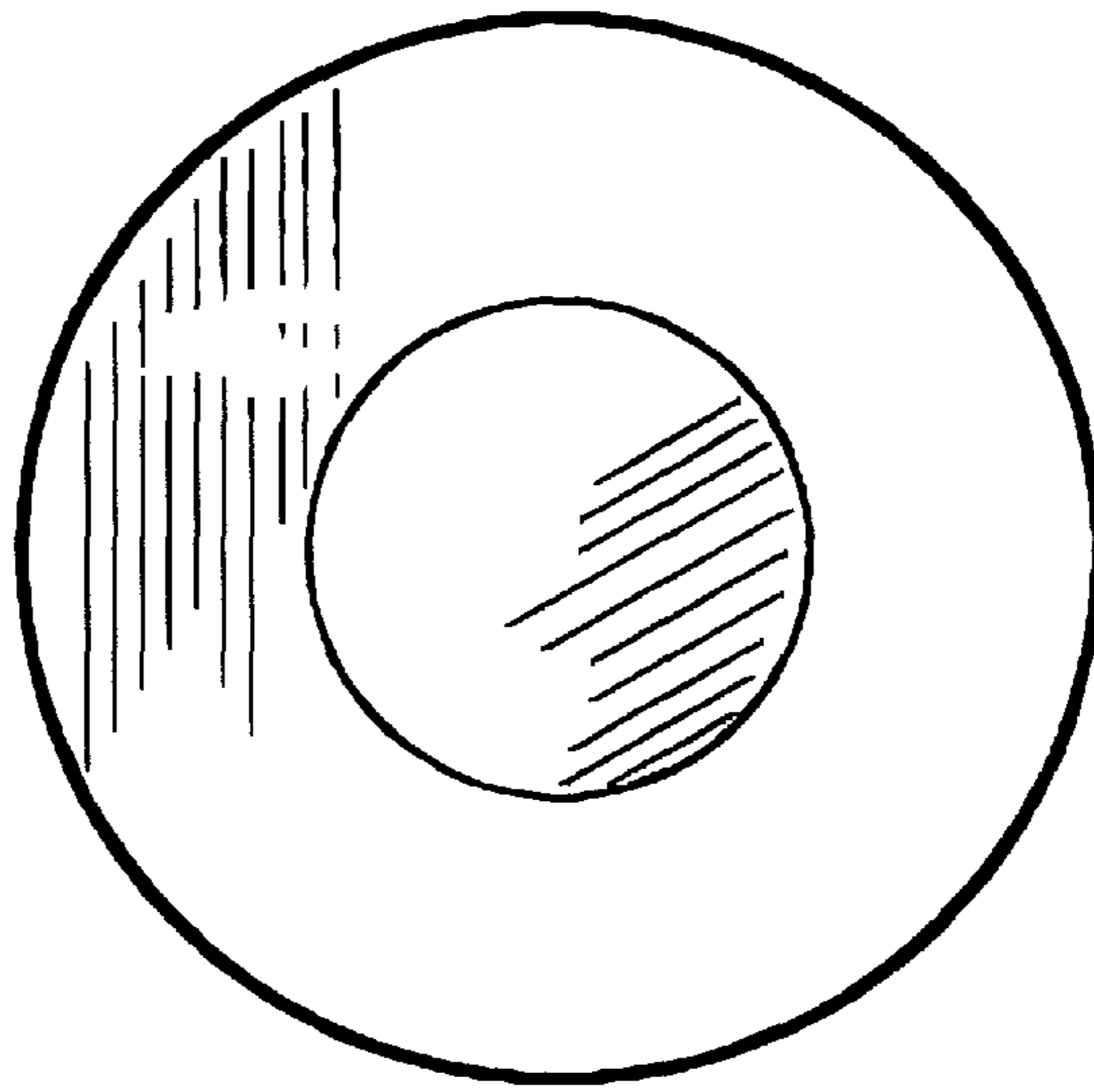


FIG. 7

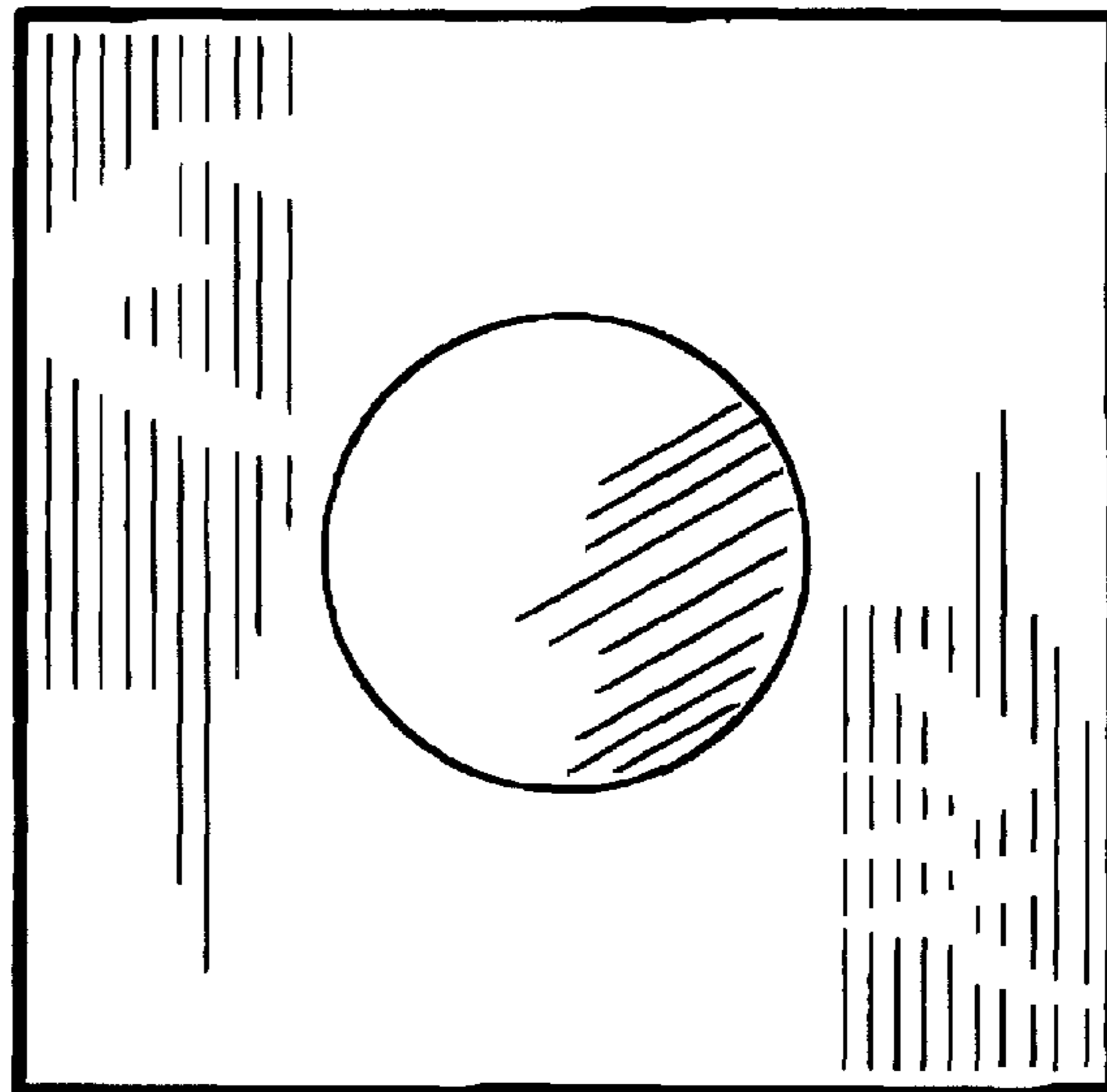


FIG. 8

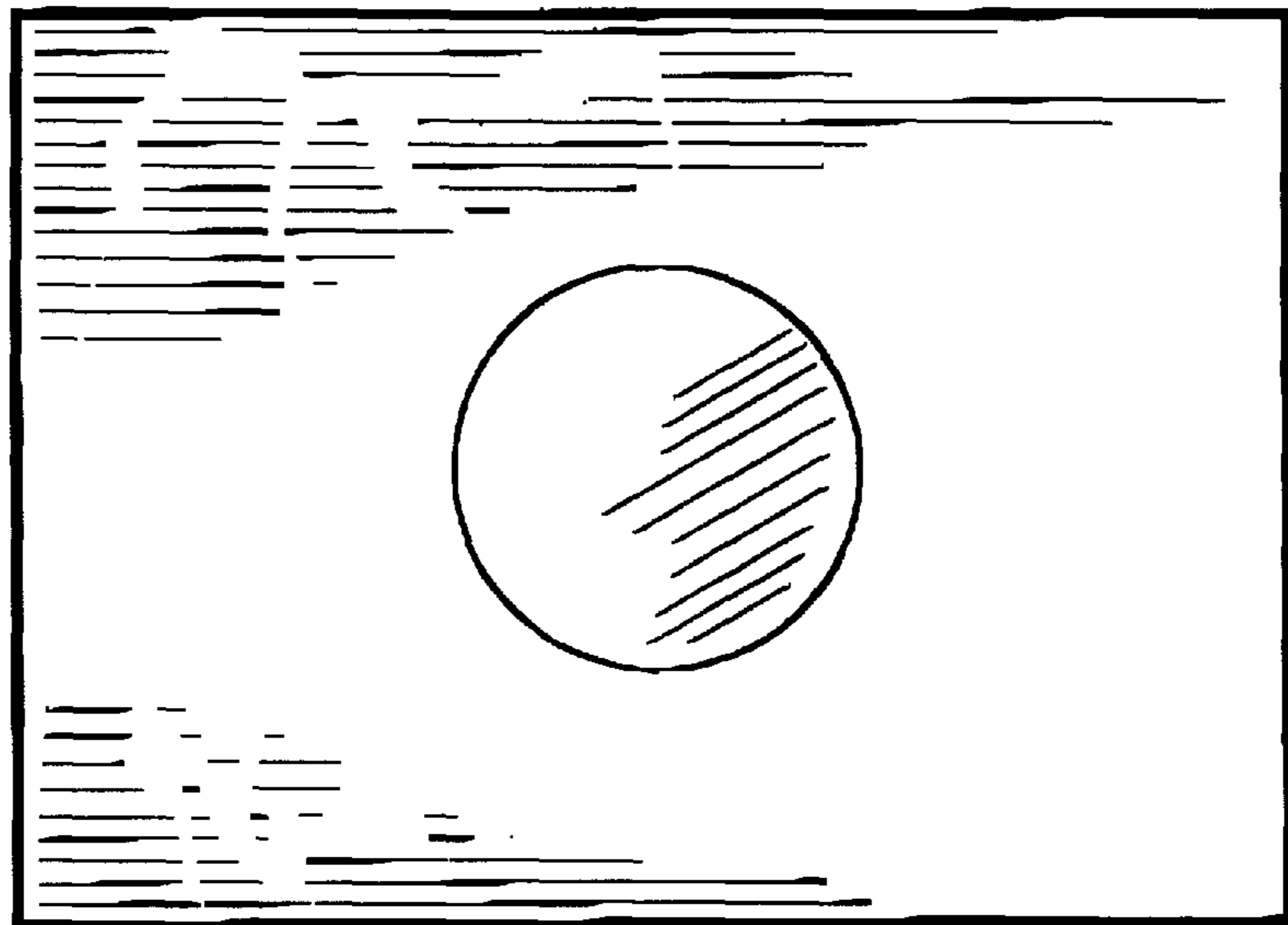


FIG. 9

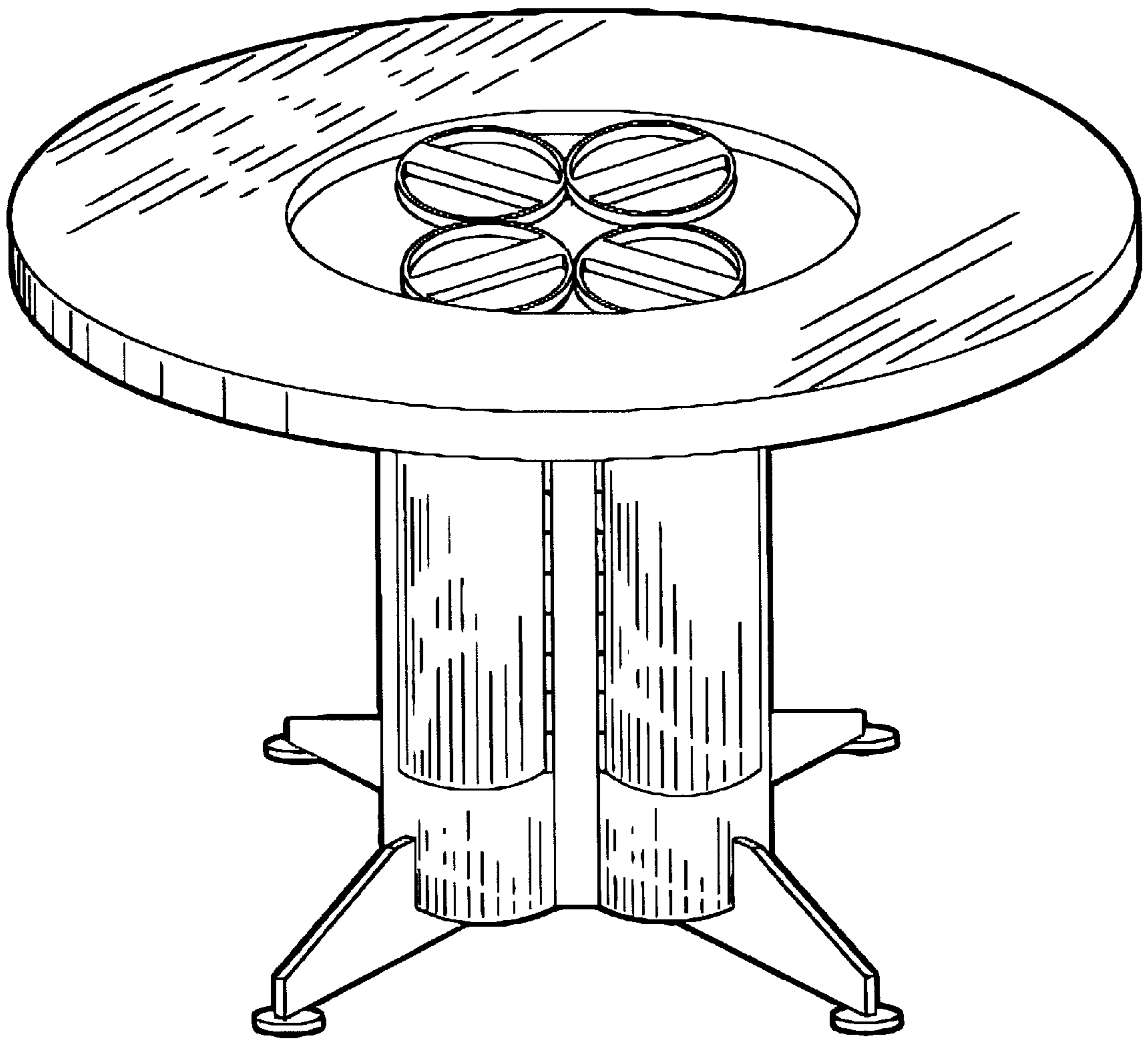


FIG. 10

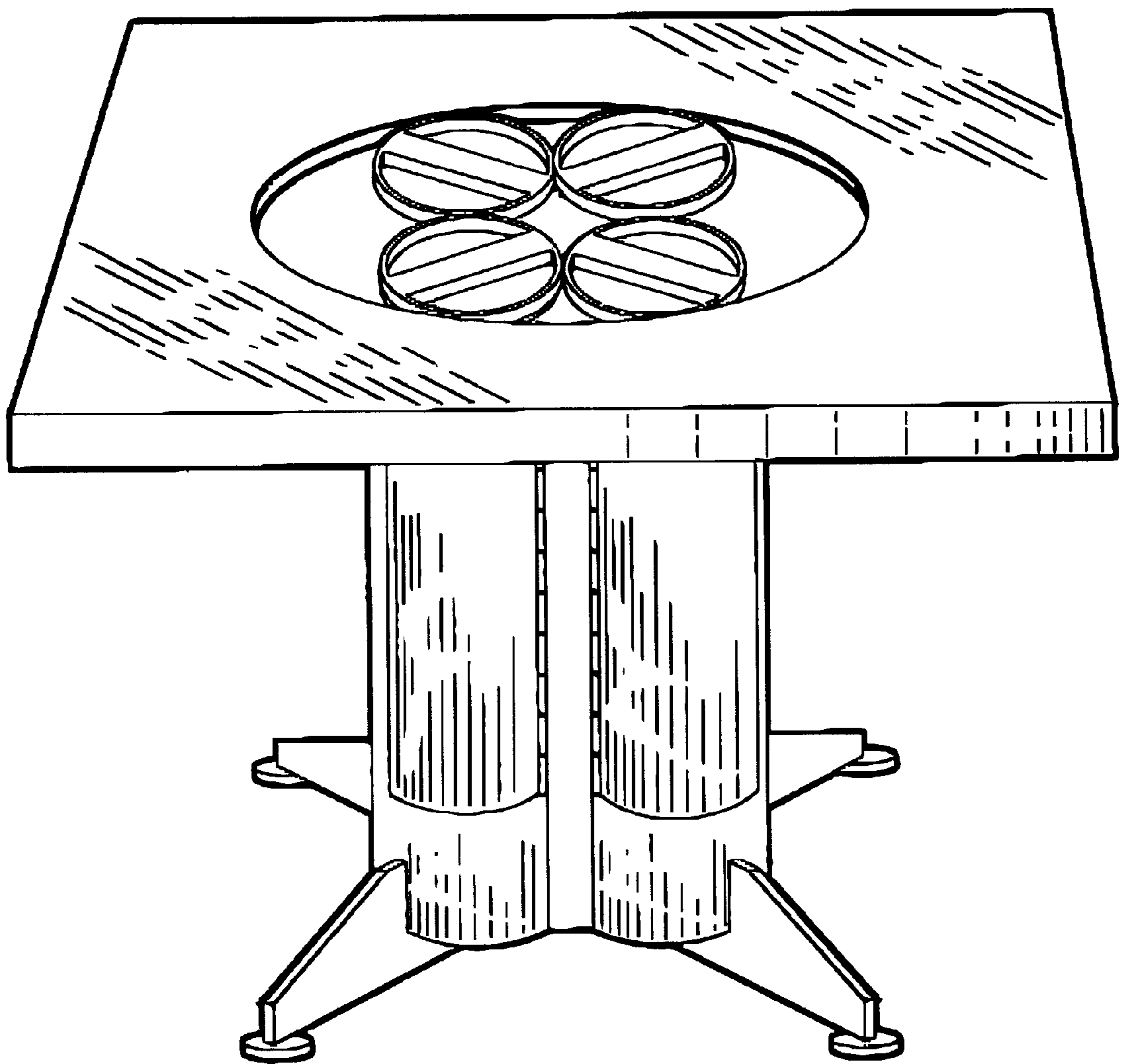


FIG. 11

