



US00D471738S

(12) **United States Design Patent**
Hohler et al.

(10) **Patent No.:** **US D471,738 S**
(45) **Date of Patent:** **** Mar. 18, 2003**

(54) **MERCHANDISER WITH MULTI-TIER
SHELVING**

(75) Inventors: **Melissa M. Hohler**, Kettering, OH
(US); **Robert T. Wood**, Tipp City, OH
(US); **Timothy L. Gunsalus**, Eaton,
OH (US); **Edward J. Florkey**,
Vandalia, OH (US)

(73) Assignee: **Henny Penny Corporation**, Eaton, OH
(US)

(**) Term: **14 Years**

(21) Appl. No.: **29/160,031**

(22) Filed: **May 3, 2002**

(51) **LOC (7) Cl.** **06-04**

(52) **U.S. Cl.** **D6/471; D6/472**

(58) **Field of Search** D6/396, 397, 449,
D6/470, 471, 472; D15/81, 83, 85; 312/114,
116, 137, 140.4

(56) **References Cited**

U.S. PATENT DOCUMENTS

1,800,863 A	4/1931	Johnson	
2,018,024 A	10/1935	Kress	
2,227,854 A	* 1/1941	Walters	312/114
2,229,911 A	1/1941	Anderson	
2,279,945 A	* 4/1942	Hoffman	312/116
2,784,662 A	3/1957	Grosz et al.	
2,860,225 A	11/1958	Steen	
3,030,486 A	4/1962	Lashley	
3,162,495 A	12/1964	Swift	
3,327,092 A	6/1967	Wilson	
3,502,020 A	3/1970	Bressikello	
3,632,968 A	1/1972	Wilson	
D238,471 S	1/1976	Roderick	
3,999,475 A	12/1976	Roderick	
4,036,401 A	7/1977	Nachtigall, Jr.	
D245,958 S	10/1977	Roderick	
4,074,108 A	2/1978	King	
4,250,955 A	2/1981	Plattner et al.	
4,343,985 A	8/1982	Wilson et al.	
4,733,054 A	3/1988	Paul	

D312,363 S	* 11/1990	Faggioli	D6/471
D350,658 S	* 9/1994	Graat	D6/471
5,375,511 A	12/1994	Huie et al.	
5,771,789 A	6/1998	Davis	
D442,393 S	* 5/2001	Shei et al.	D6/472
6,259,065 B1	7/2001	Hohler et al.	

OTHER PUBLICATIONS

Henny Penny Corporation Brochure—2 pages, undated.

* cited by examiner

Primary Examiner—Cathron C. Brooks

(74) *Attorney, Agent, or Firm*—Baker Botts L.L.P.

(57) **CLAIM**

The ornamental design for a merchandiser with multi-tier shelving, as shown and described.

DESCRIPTION

FIG. 1 is a perspective view of a merchandiser with multi-tier shelving having a curved glass profile configuration and a top and a bottom tier shelf, according to a first embodiment of the design.

FIG. 2 is a side view of the merchandiser of FIG. 1, according to the first embodiment of the design.

FIG. 3 is a front view of the merchandiser of FIG. 1, according to the first embodiment of the design.

FIG. 4 is a rear view of the merchandiser of FIG. 1, according to the first embodiment of the design.

FIG. 5 is a top view of the merchandiser of FIG. 1, according to the first embodiment of the design.

FIG. 6 is a perspective view of a merchandiser having a flat glass profile configuration and a top and a bottom tier shelf, according to a second embodiment of the design.

FIG. 7 is a side view of the merchandiser of FIG. 6, according to the second embodiment of the design.

FIG. 8 is a front view of the merchandiser of FIG. 6, according to the second embodiment of the design.

FIG. 9 is a rear view of the merchandiser of FIG. 6, according to the second embodiment of the design.

FIG. 10 is a top view of the merchandiser of FIG. 6, according to the second embodiment of the design.

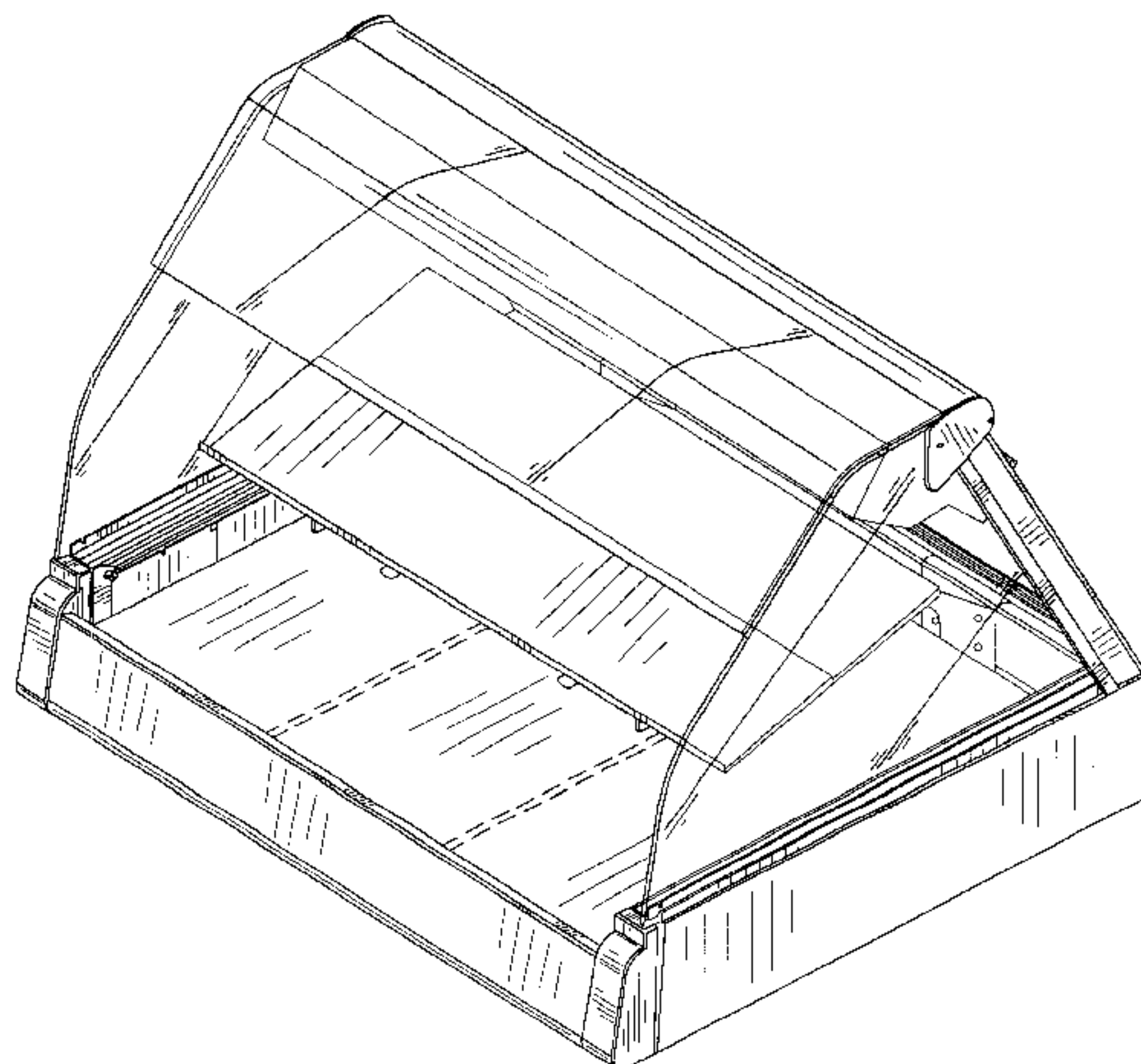


FIG. 11 is a perspective view of a merchandiser having an extended curved glass profile configuration and a top and a bottom tier shelf, according to a third embodiment of the design.

FIG. 12 is a side view of the merchandiser of FIG. 11, according to the third embodiment of the design.

FIG. 13 is a front view of the merchandiser of FIG. 11, according to the third embodiment of the design.

FIG. 14 is a rear view of the merchandiser of FIG. 11, according to the third embodiment of the design.

FIG. 15 is a top view of the merchandiser of FIG. 11, according to the third embodiment of the design.

FIG. 16 is a perspective view of a merchandiser having a bowed glass profile configuration and a top and a bottom tier shelf, according to a fourth embodiment of the design.

FIG. 17 is a side view of the merchandiser of FIG. 16, according to the fourth embodiment of the design.

FIG. 18 is a front view of the merchandiser of FIG. 16, according to the fourth embodiment of the design.

FIG. 19 is a rear view of the merchandiser of FIG. 16, according to the fourth embodiment of the design; and,

FIG. 20 is a top view of the merchandiser of FIG. 16, according to the fourth embodiment of the design.

The broken line portions do not form part of the claimed design, and are depicted for illustrative purposes only.

1 Claim, 20 Drawing Sheets

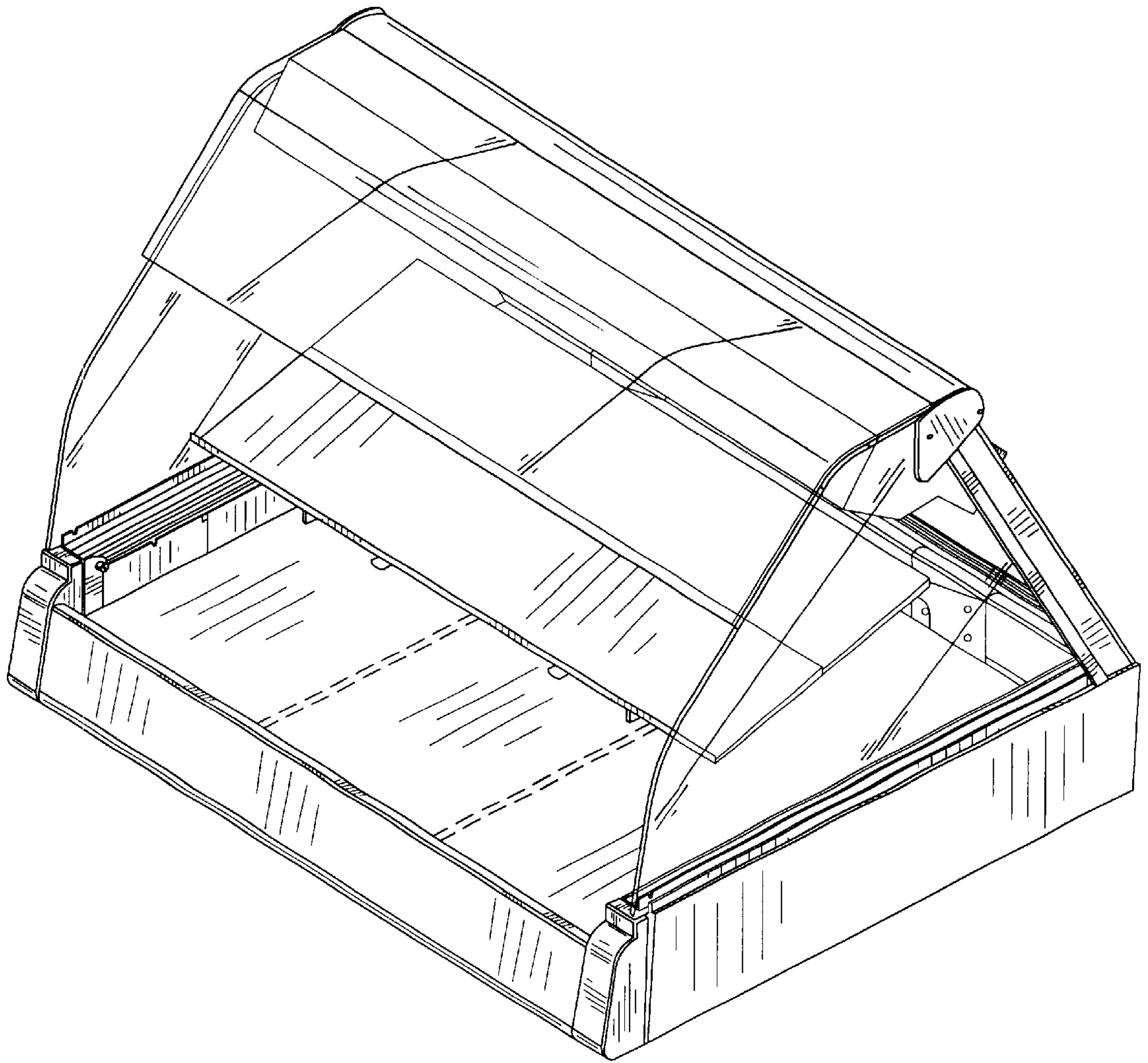


FIG. 1

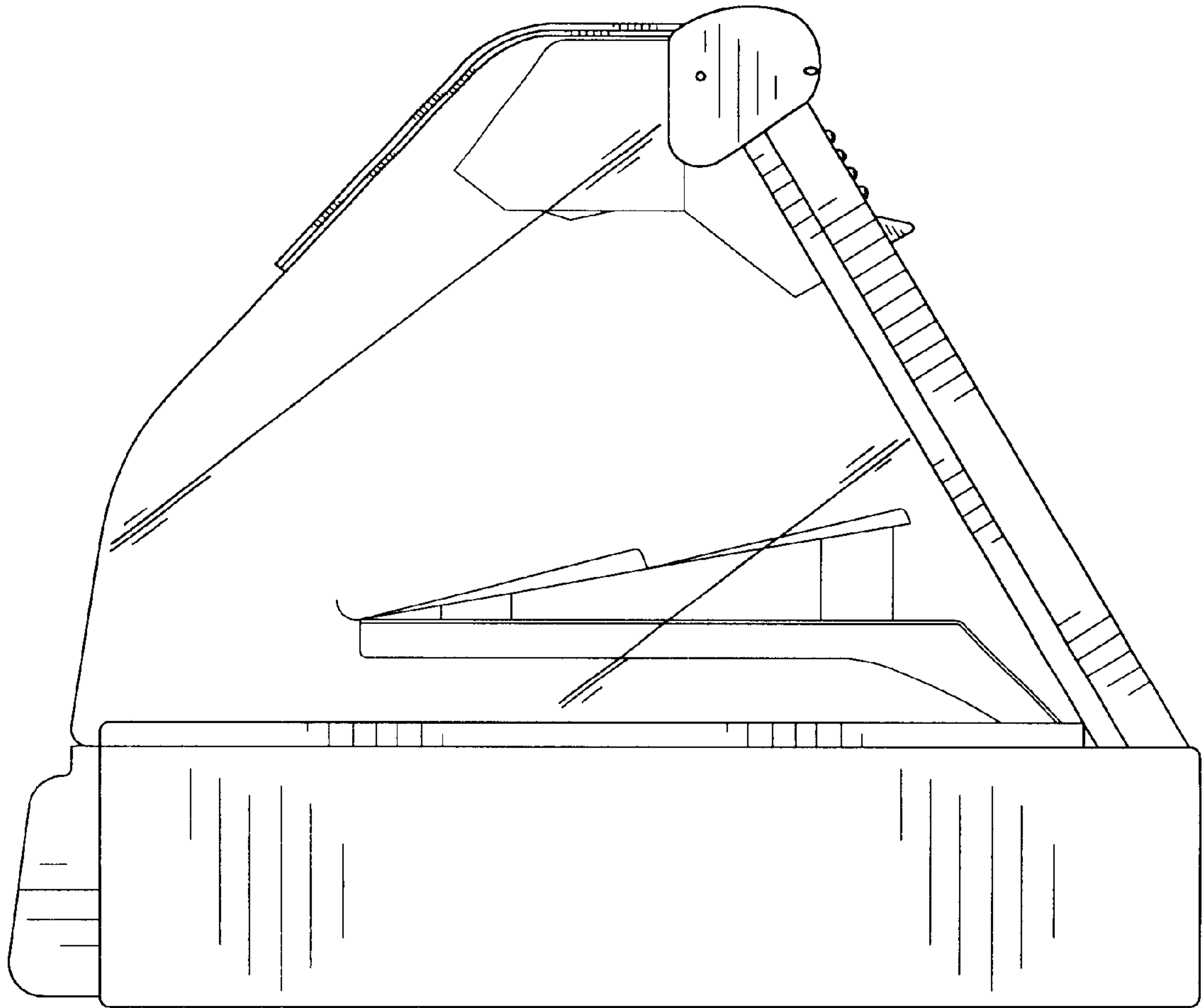


FIG. 2

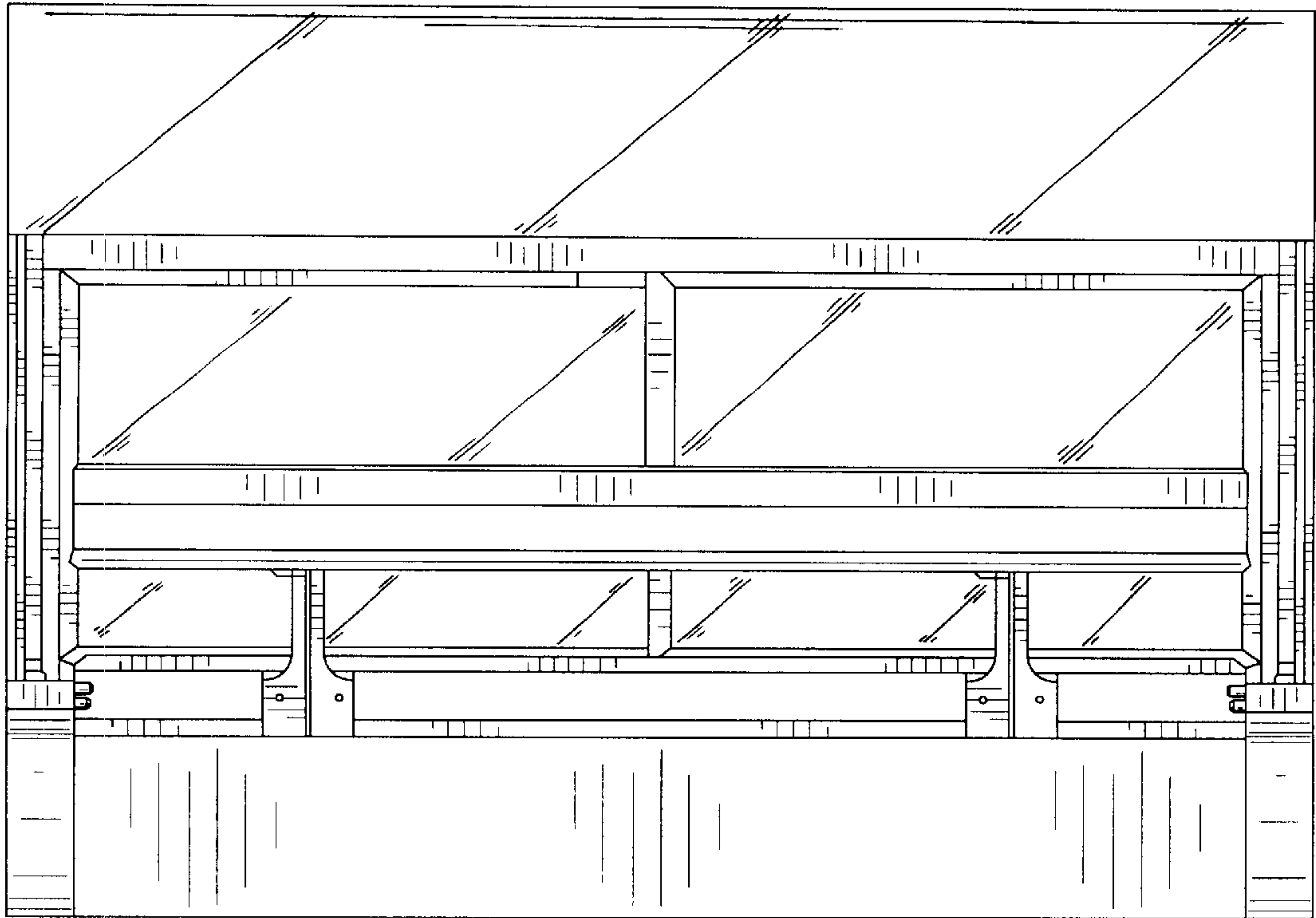


FIG. 3

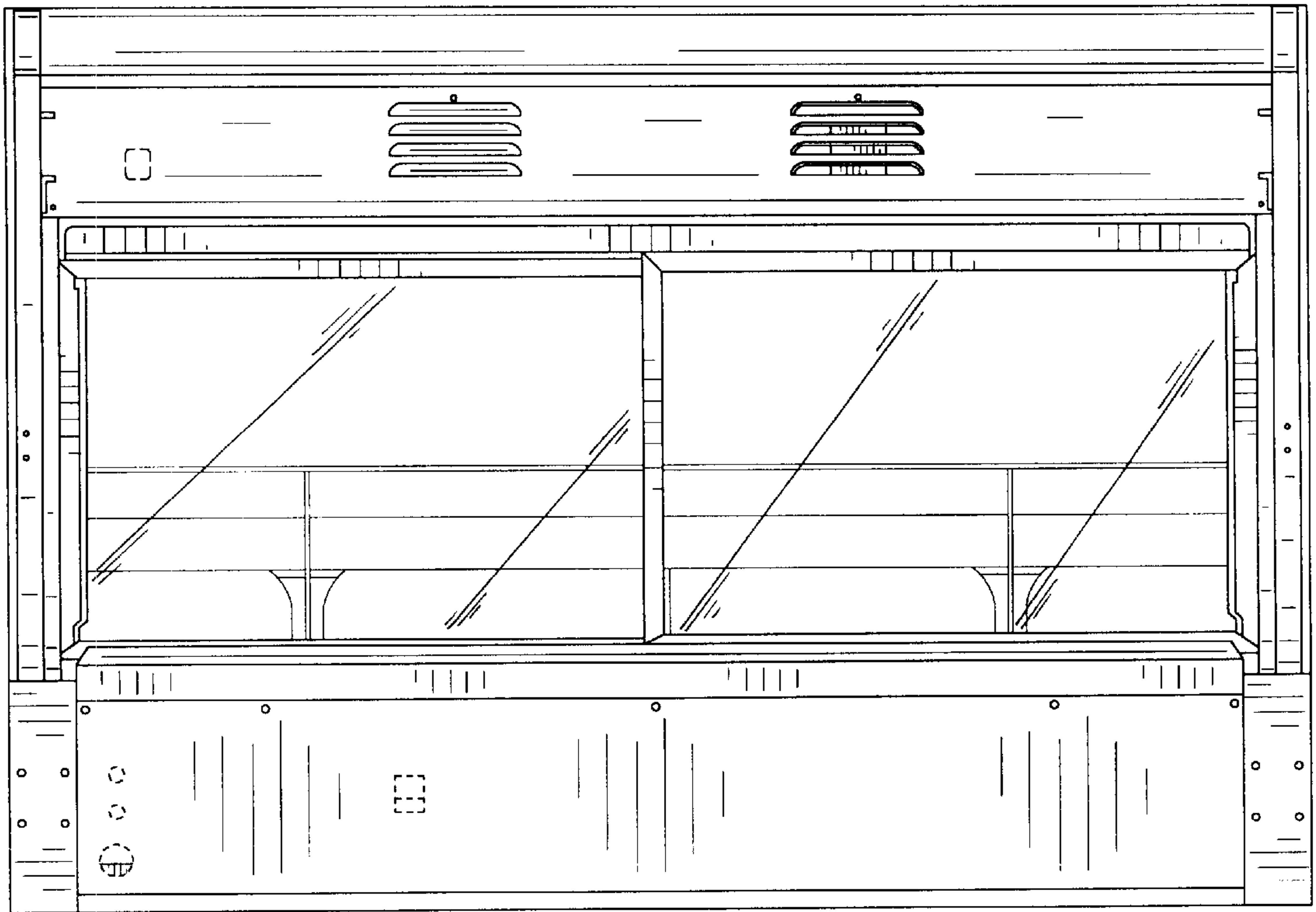


FIG. 4

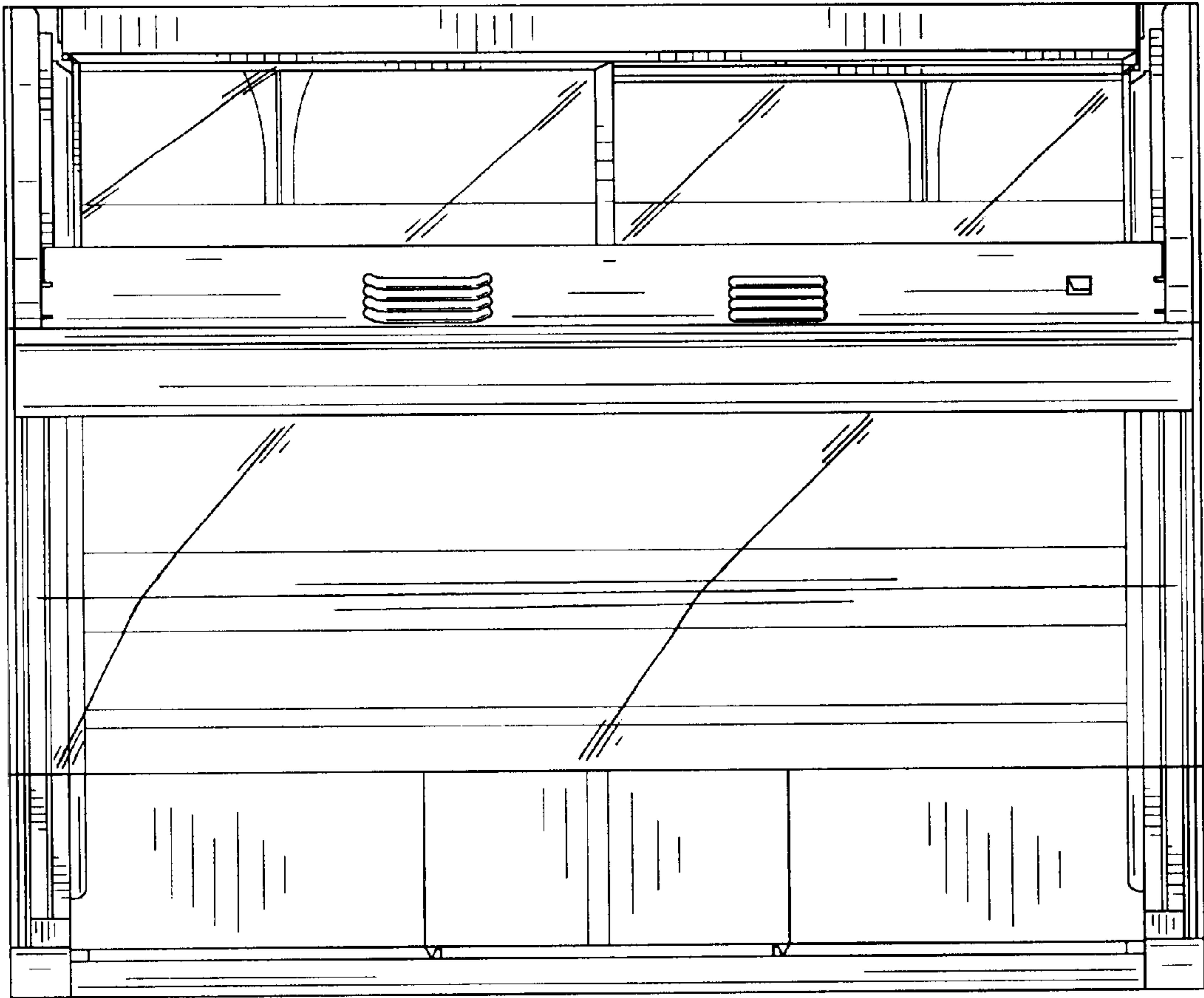


FIG. 5

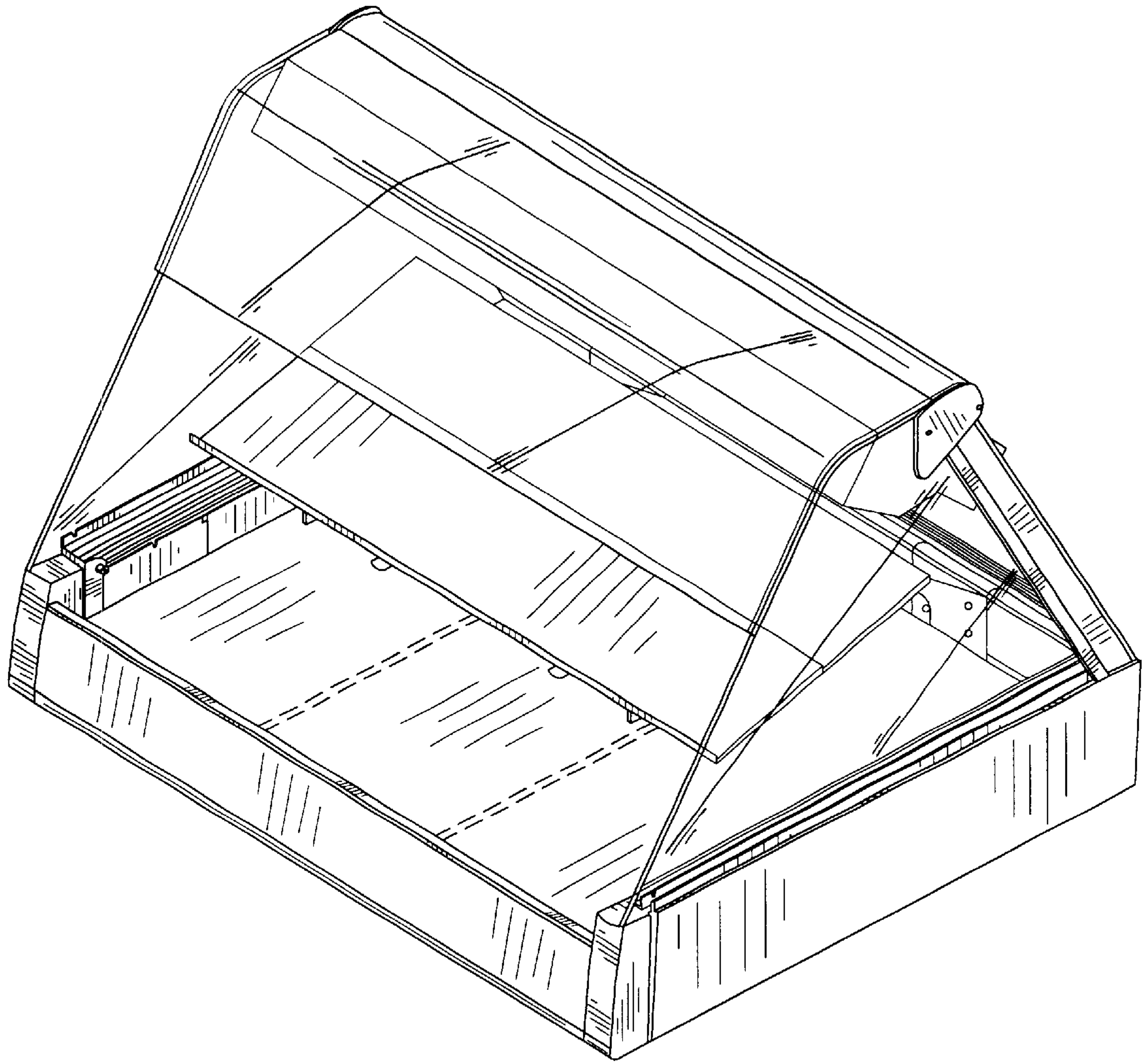


FIG. 6

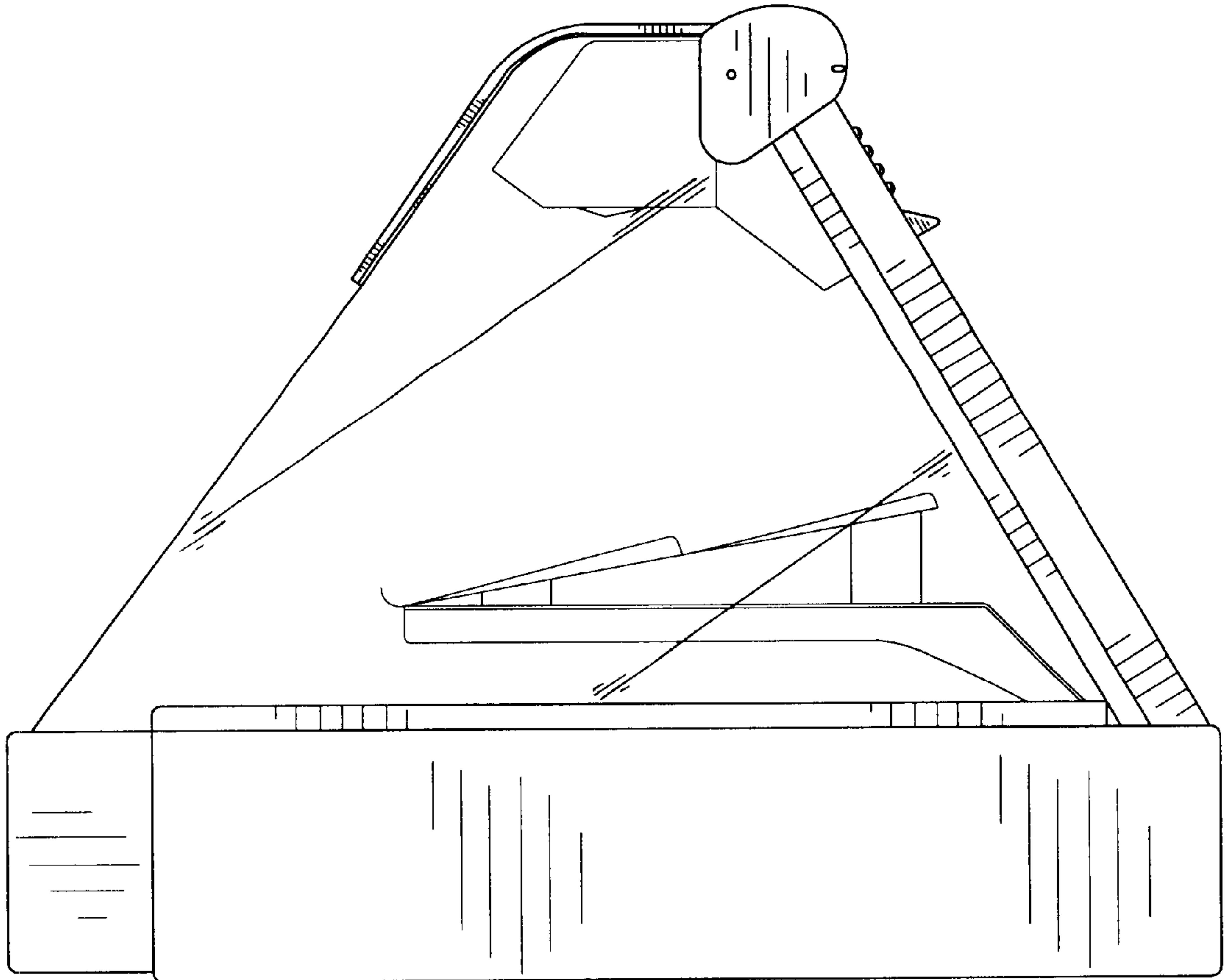


FIG. 7

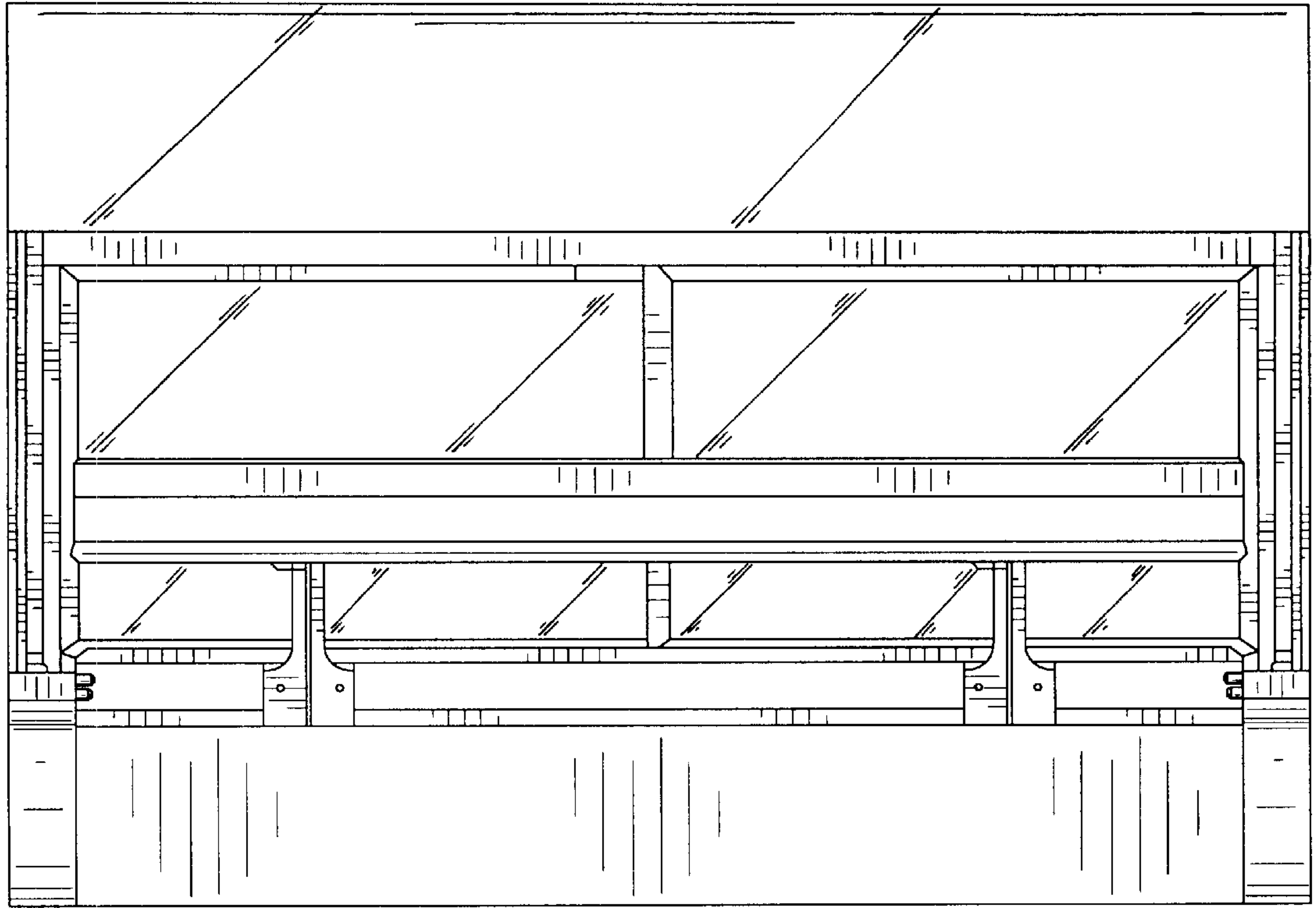


FIG. 8

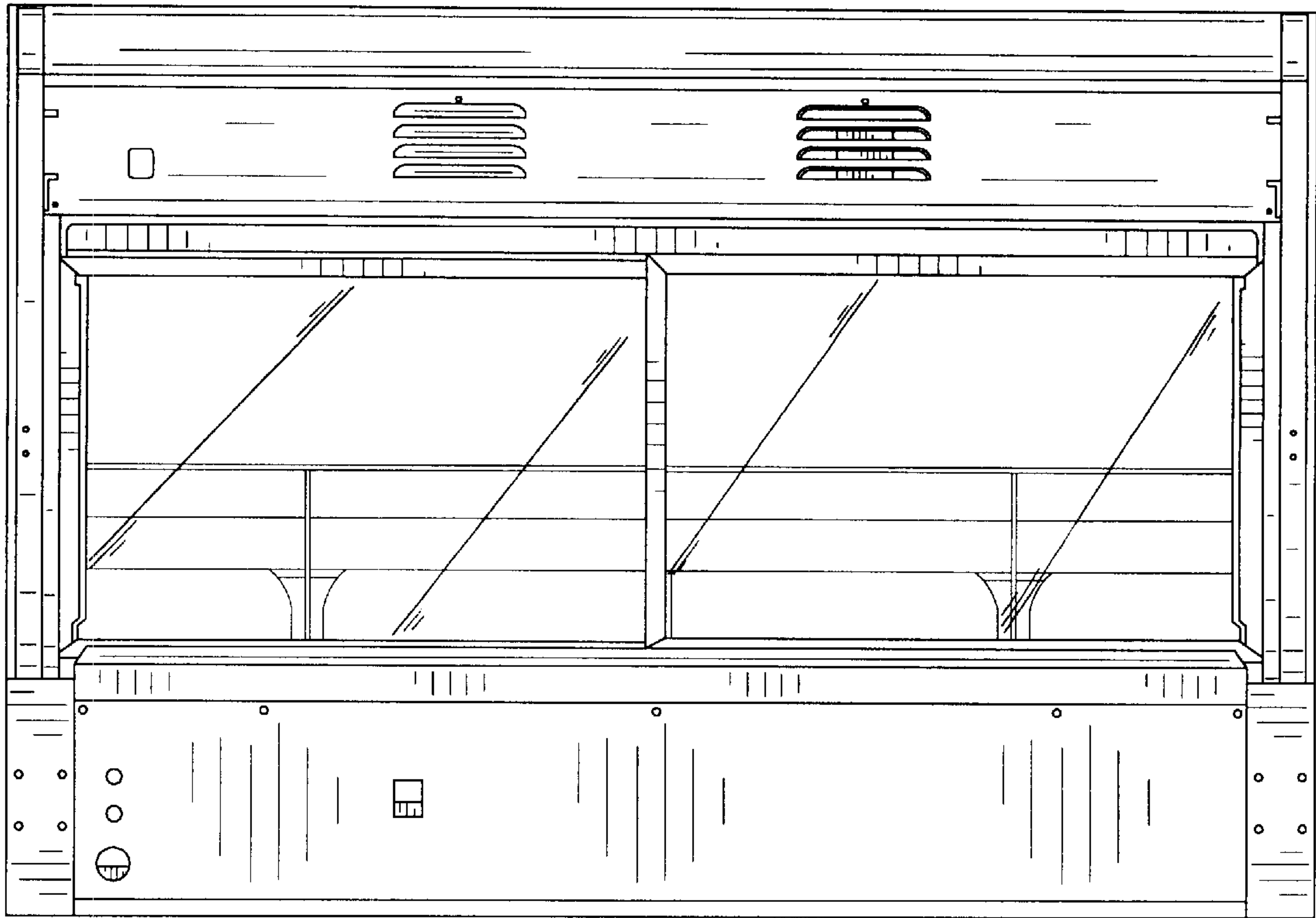


FIG. 9

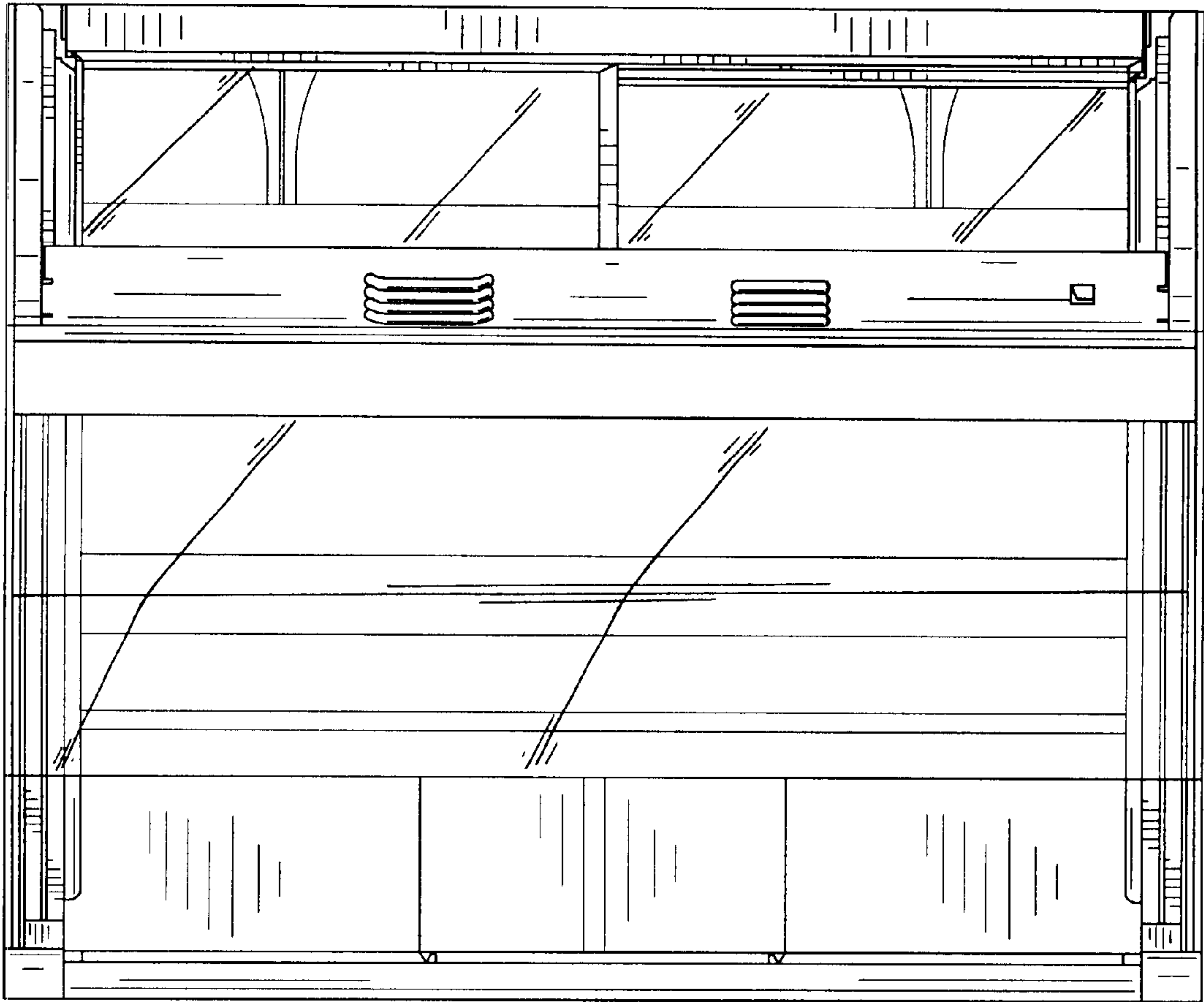


FIG. 10

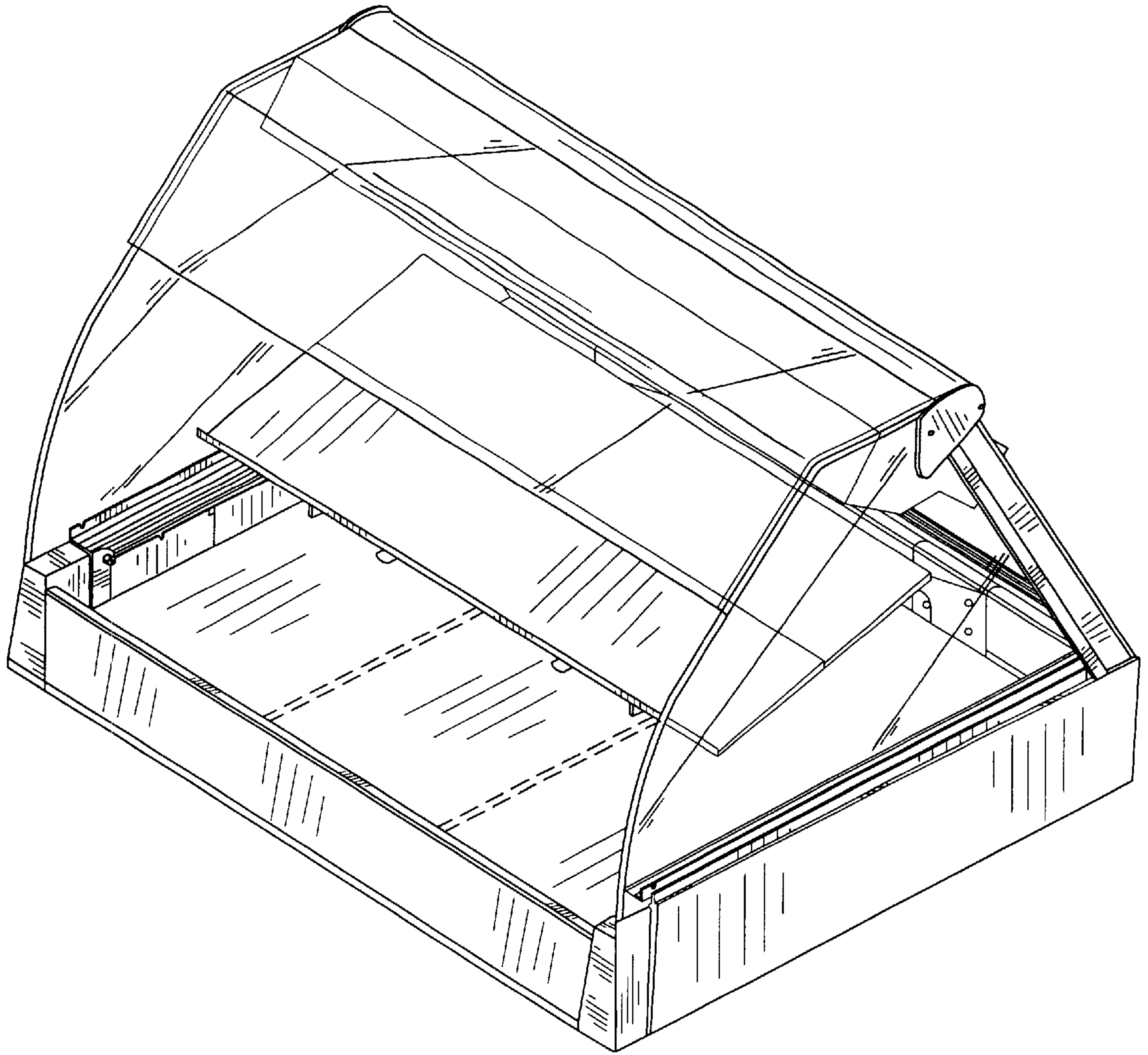


FIG. 11

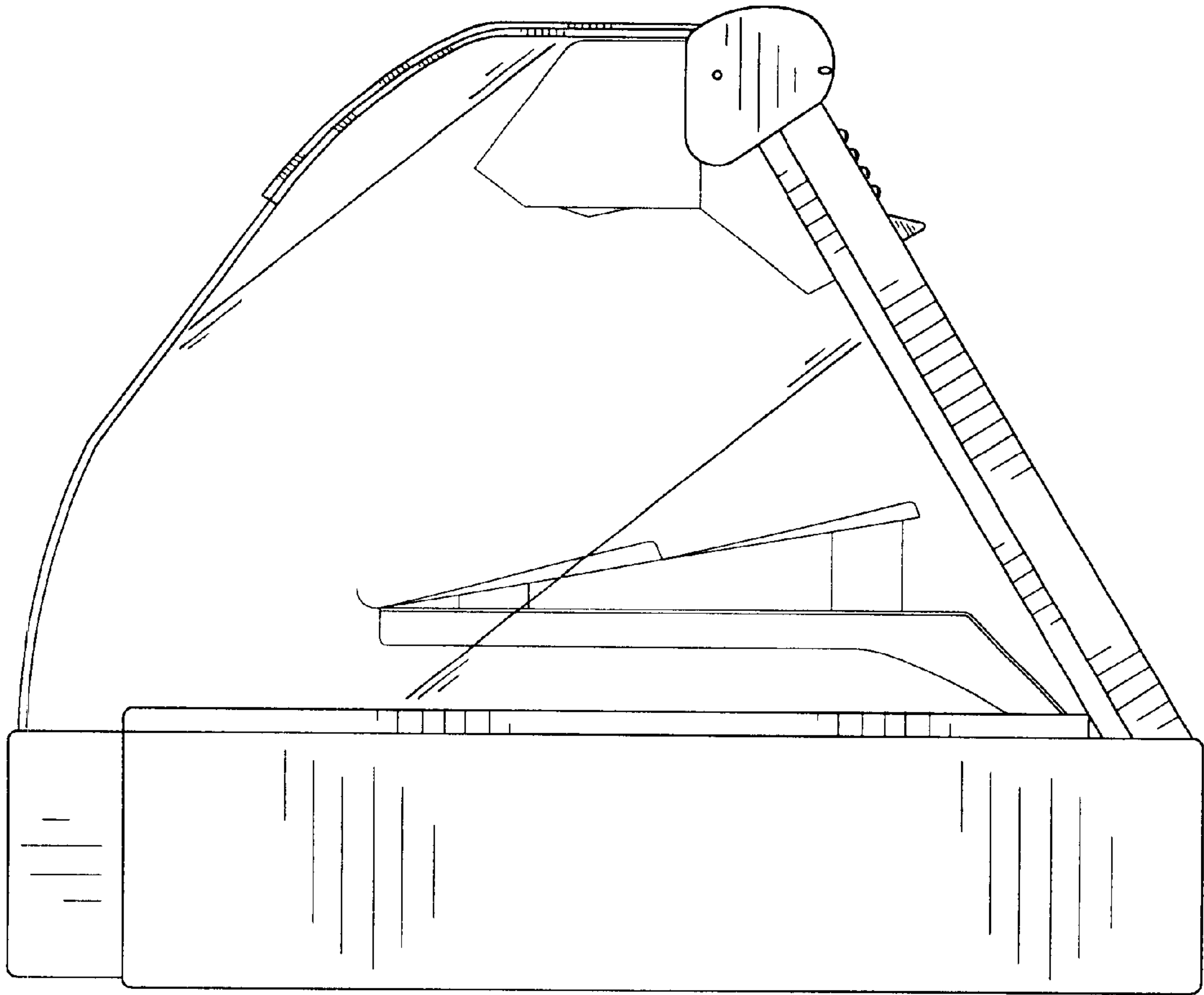


FIG. 12

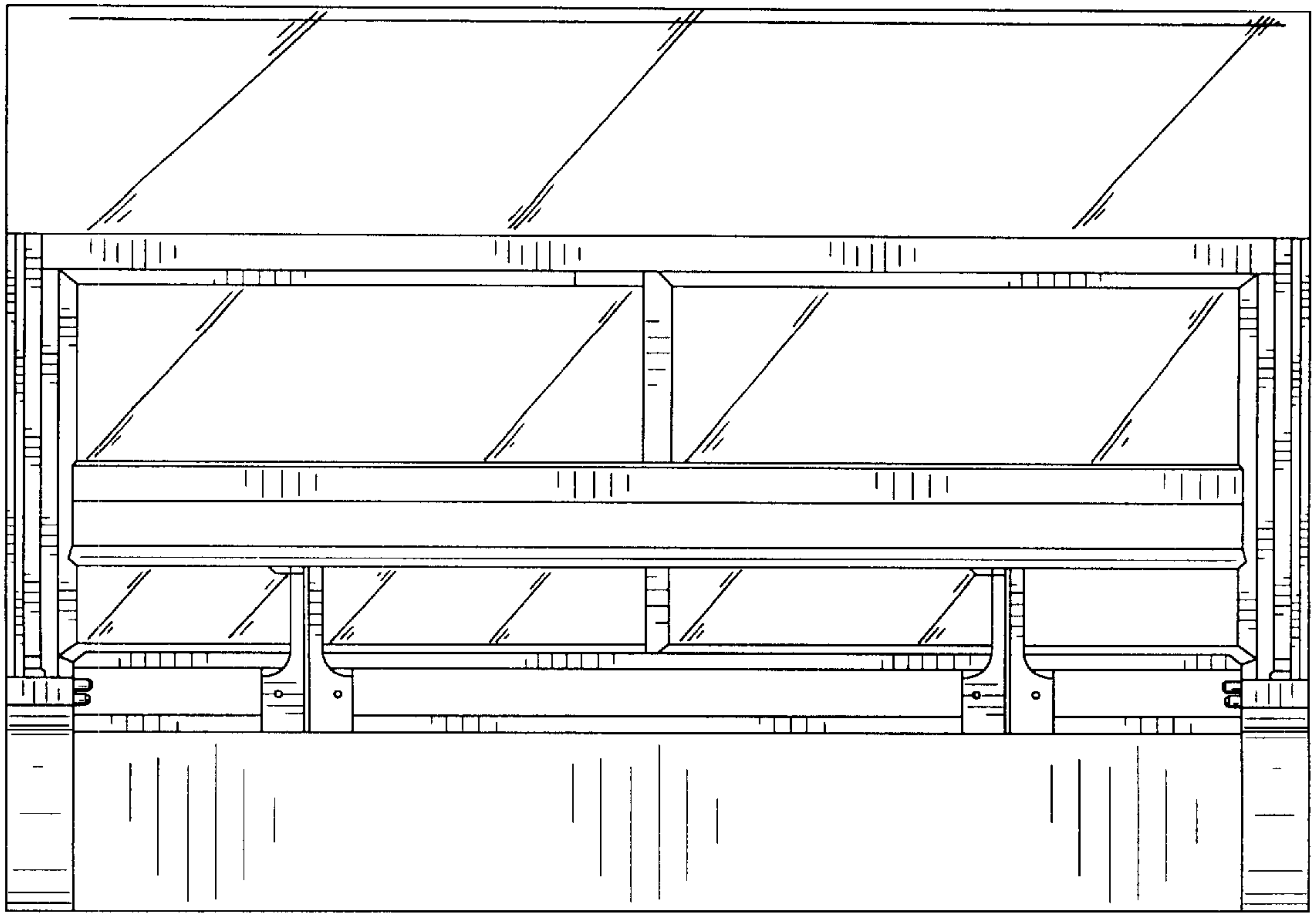


FIG. 13

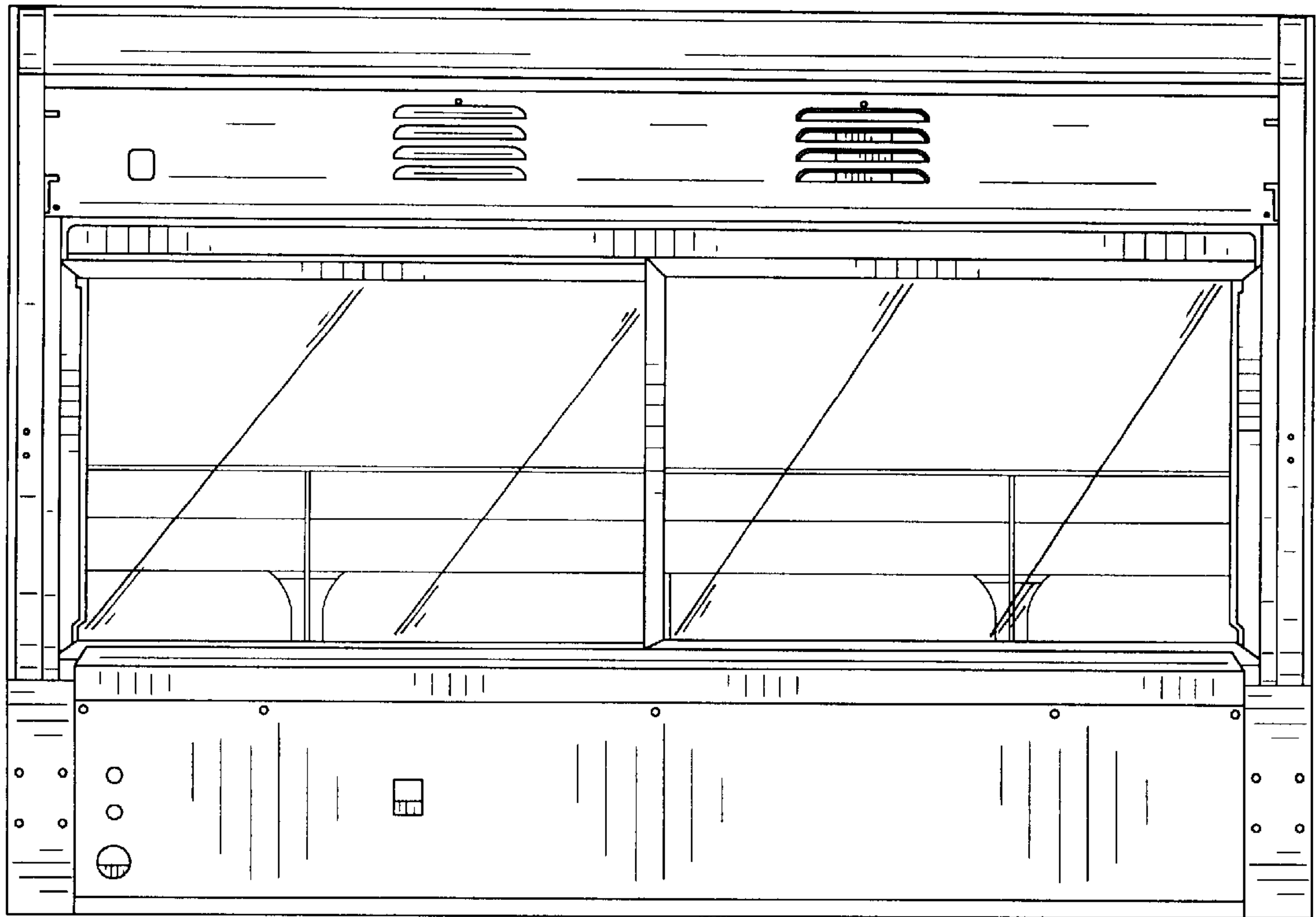


FIG. 14

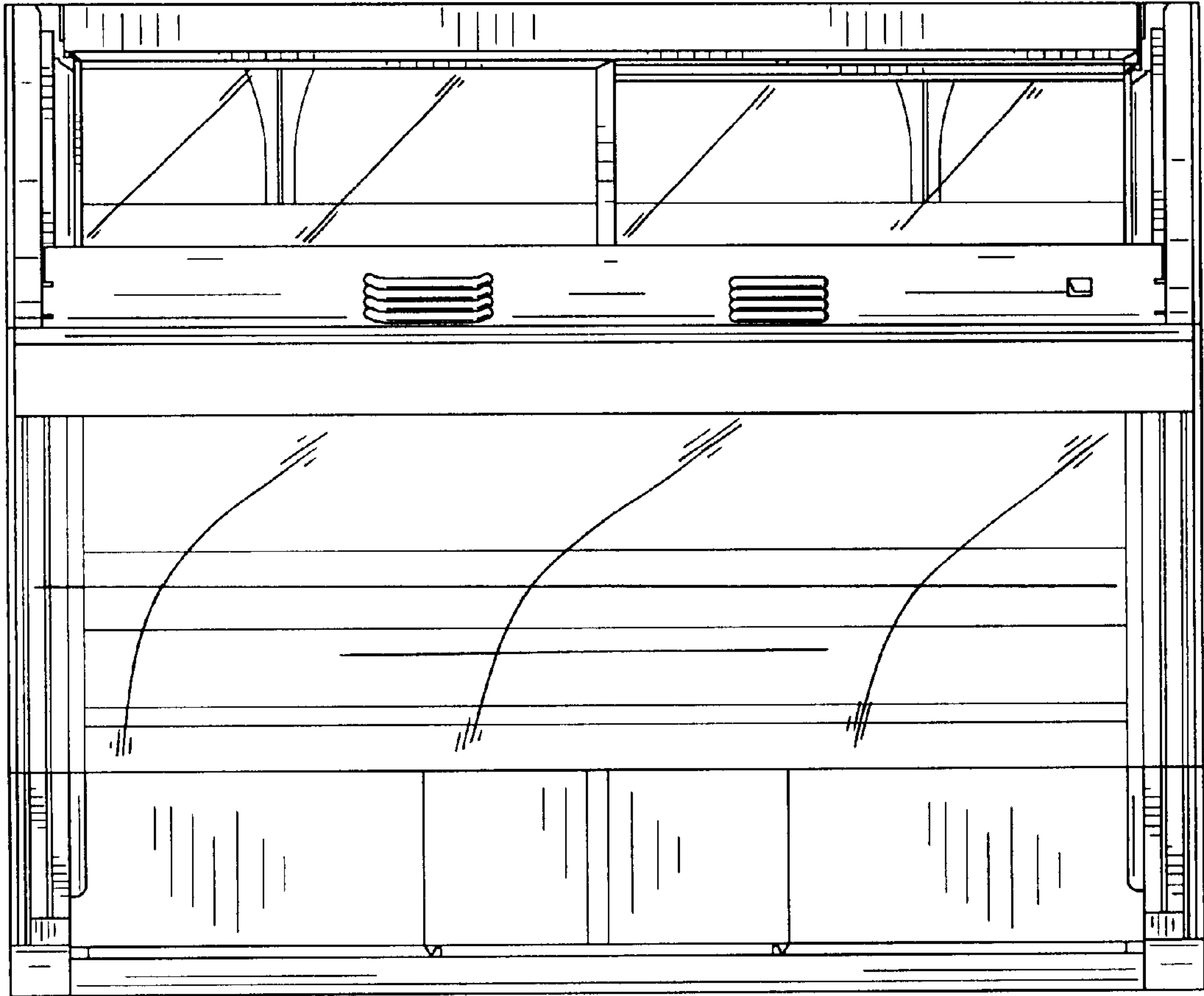


FIG. 15

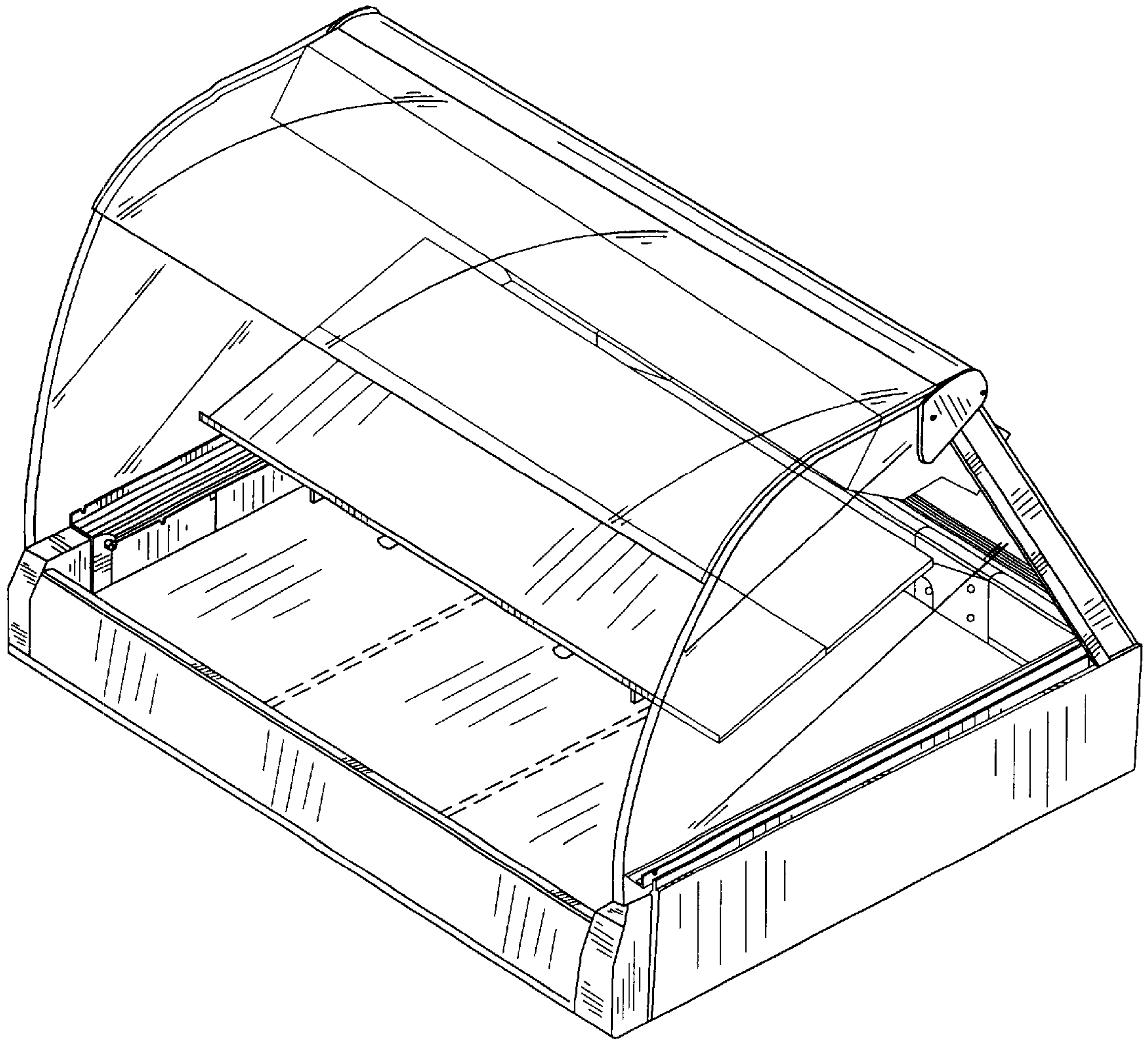


FIG. 16

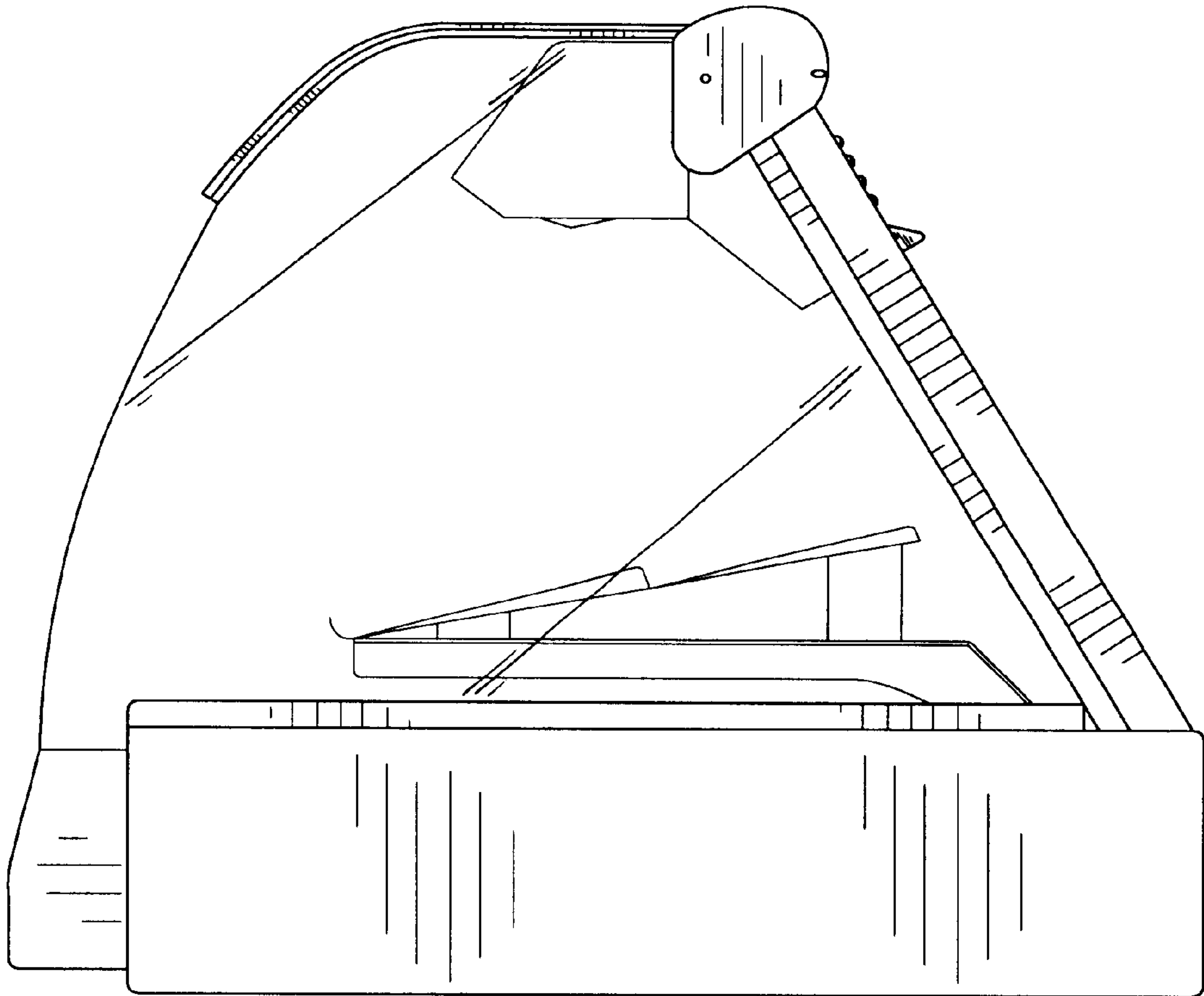


FIG. 17

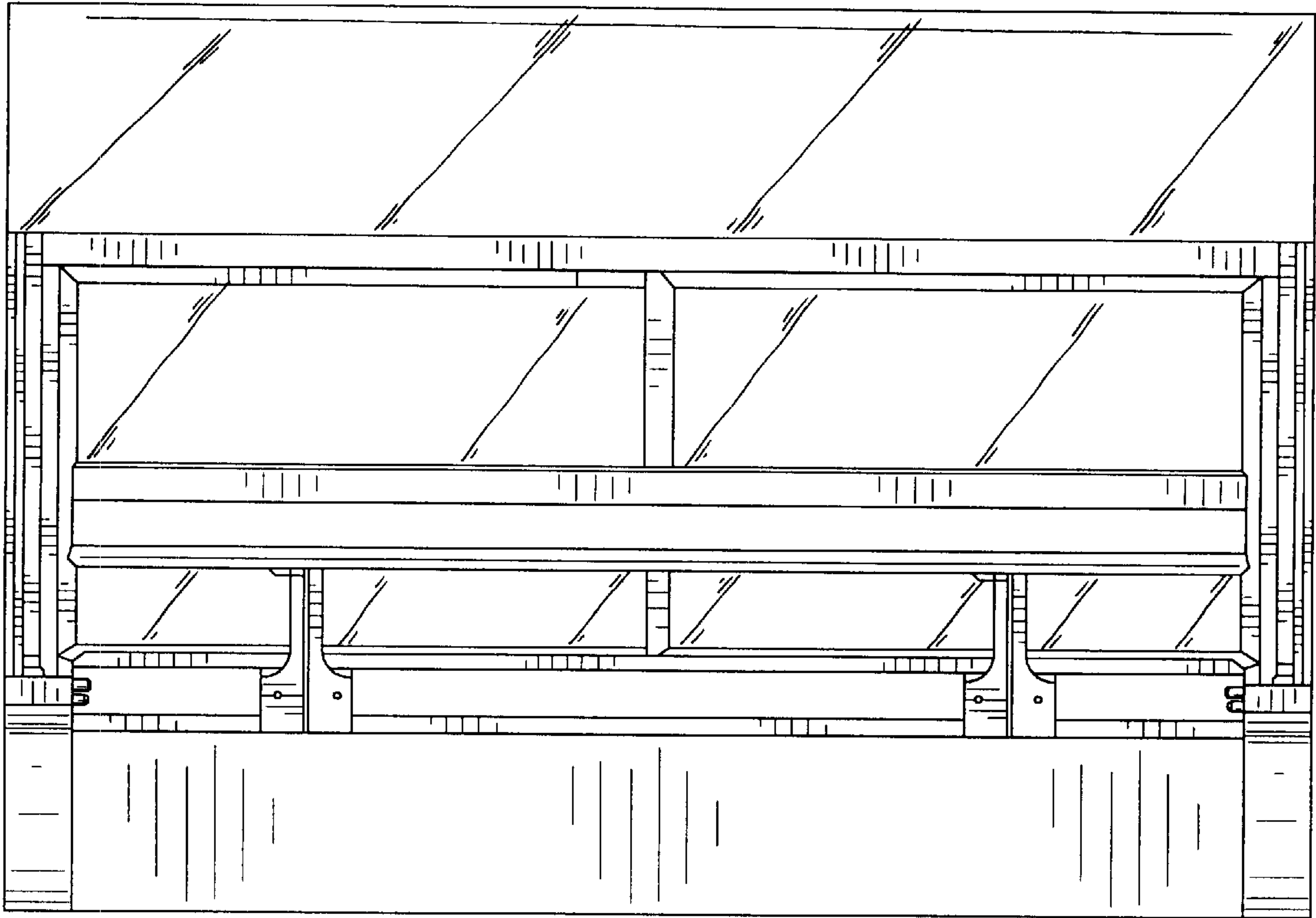


FIG. 18

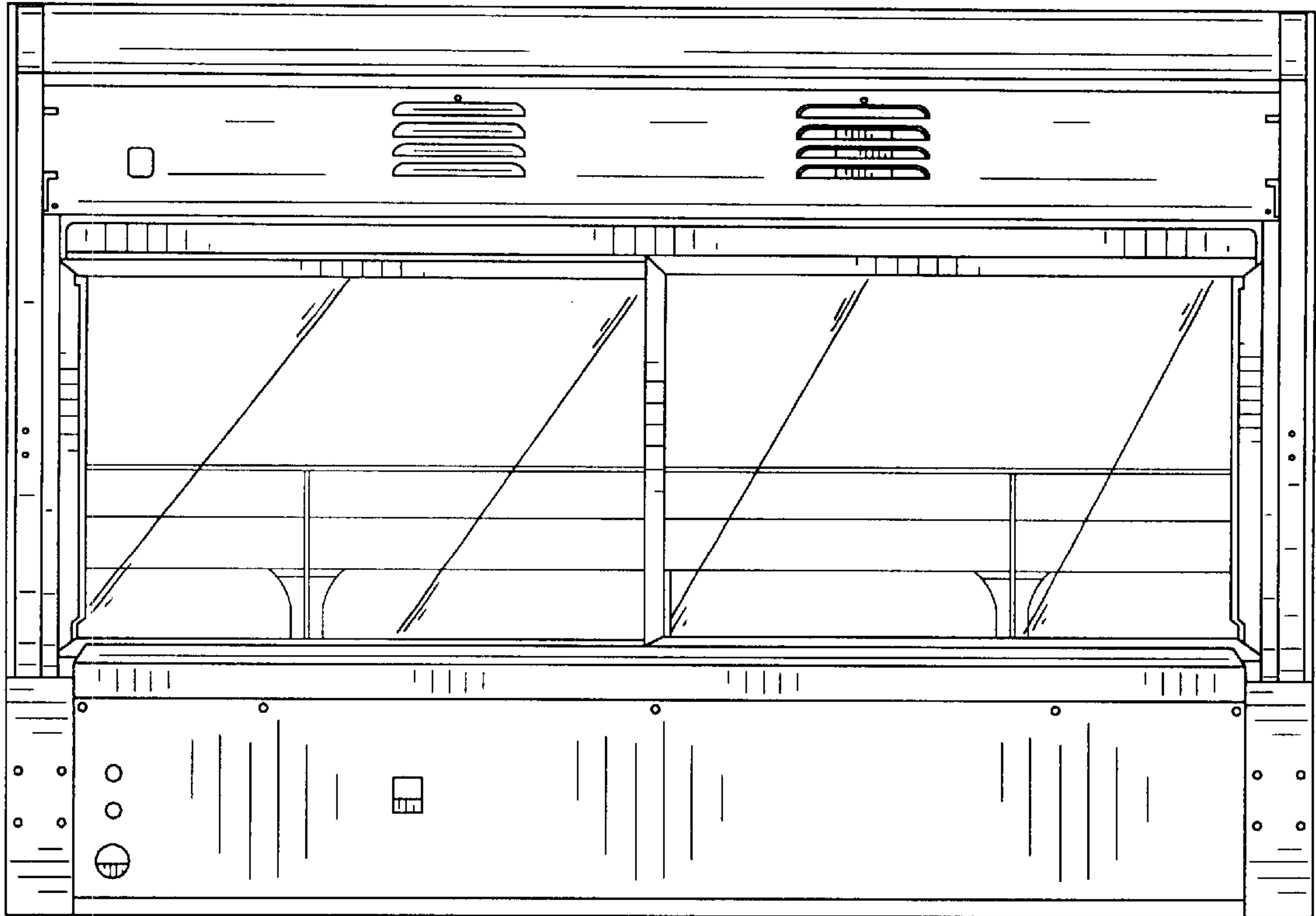


FIG. 19

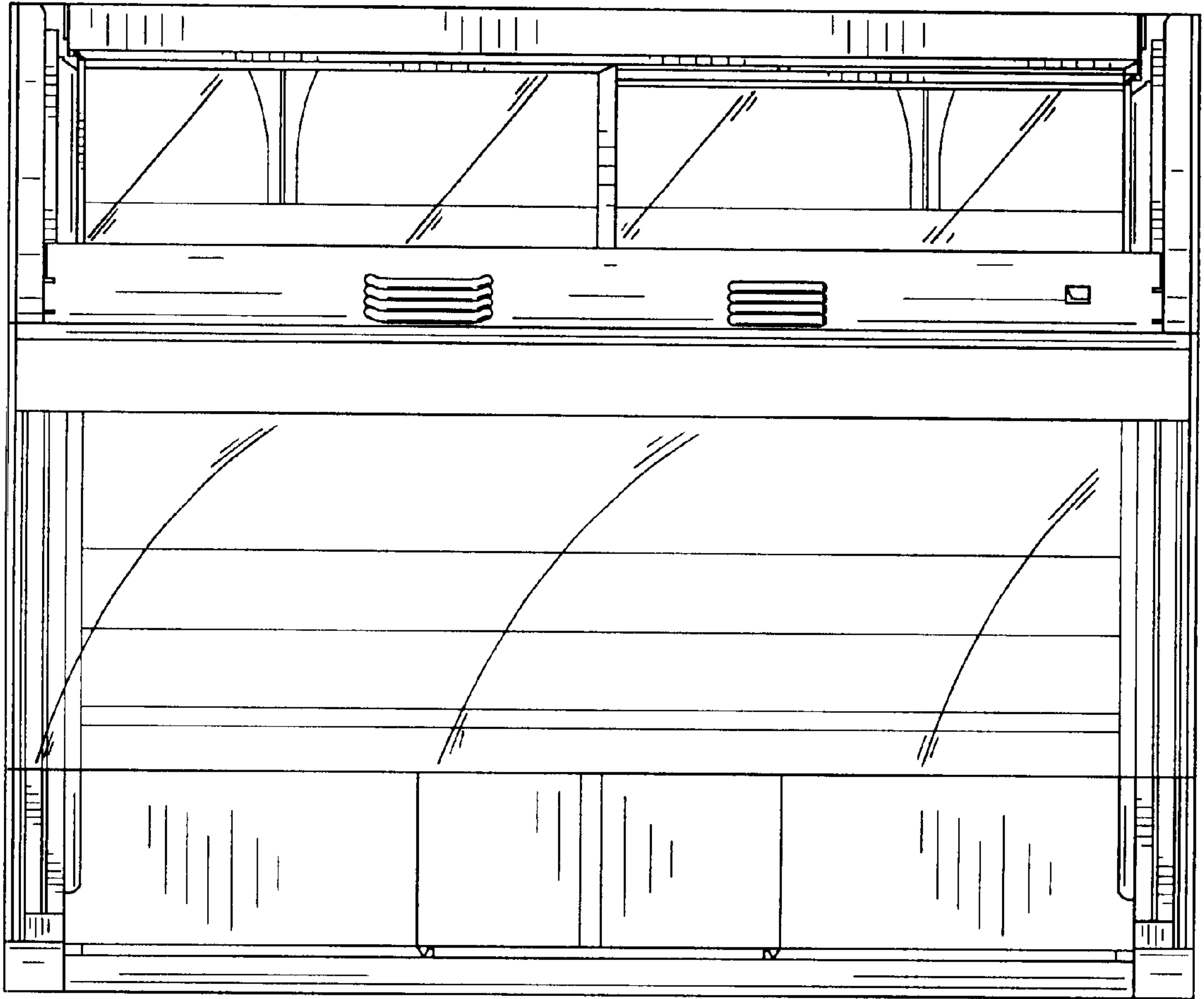


FIG. 20