



US00D471737S

(12) **United States Design Patent**
Lucatello

(10) **Patent No.:** **US D471,737 S**
(45) **Date of Patent:** **** Mar. 18, 2003**

(54) **NIGHTSTAND**

(75) Inventor: **Luciano Lucatello**, Biancade (IT)

(73) Assignee: **Società Vetraria Biancadese Sas**,
Biancade (IT)

(**) Term: **14 Years**

(21) Appl. No.: **29/164,430**

(22) Filed: **Jul. 25, 2002**

(51) **LOC (7) Cl.** **06-04**

(52) **U.S. Cl.** **D6/470; D6/441; D6/479**

(58) **Field of Search** **D6/432-448, 470;**
312/204, 224, 237, 278, 279

(56) **References Cited**

U.S. PATENT DOCUMENTS

D119,408 S	*	3/1940	Teach	D6/470 X
D194,466 S	*	1/1963	Johnson	D6/441 X
D284,242 S	*	6/1986	Sackett et al.	D6/430
D338,353 S	*	8/1993	Tihany	D6/441
5,299,697 A	*	4/1994	Ho et al.	211/163
D376,492 S	*	12/1996	Wang	D6/441
D424,829 S	*	5/2000	Platts	D6/441

* cited by examiner

Primary Examiner—Cathron C. Brooks

(74) *Attorney, Agent, or Firm*—Birch, Stewart, Kolasch & Birch, LLP

(57) **CLAIM**

The ornamental design for a nightstand, as shown and described.

DESCRIPTION

FIG. 1 is a front, left perspective view of a nightstand showing my new design;

FIG. 2 is a rear, right perspective view of the nightstand of FIG. 1, showing the door open;

FIG. 3 is a right, side view of the nightstand of FIG. 1, the left side view being a mirror image thereof;

FIG. 4 is a top, plan view of the nightstand of FIG. 1;
FIG. 5 is a front, elevational view of the nightstand of FIG. 1;

FIG. 6 is a rear, elevational view of the nightstand of FIG. 1;

FIG. 7 is a front, left perspective view of a second embodiment, showing the shelves and lamp structure in dotted lines;

FIG. 8 is a rear, right perspective view of the nightstand of FIG. 7, showing the door open;

FIG. 9 is a right, side view of the nightstand of FIG. 7, the left side view being a mirror image thereof;

FIG. 10 is a top, plan view of the nightstand of FIG. 7;

FIG. 11 is a front, elevational view of the nightstand of FIG. 7;

FIG. 12 is a rear, elevational view of the nightstand of FIG. 7;

FIG. 13 is a front, left perspective view of a third embodiment showing my new design;

FIG. 14 is a rear, right perspective view of the nightstand of FIG. 13, showing the door open;

FIG. 15 is a right, side view of the nightstand of FIG. 13, the left side view being a mirror image thereof;

FIG. 16 is a top, plan view of the nightstand of FIG. 13;

FIG. 17 is a front, elevational view of the nightstand of FIG. 13;

FIG. 18 is a rear, elevational view of the nightstand of FIG. 13;

FIG. 19 is a front, left perspective view of a fourth embodiment, showing the shelves in dotted lines;

FIG. 20 is a rear, right perspective view of the nightstand of FIG. 19, showing the door open;

FIG. 21 is a right, side view of the nightstand of FIG. 19;

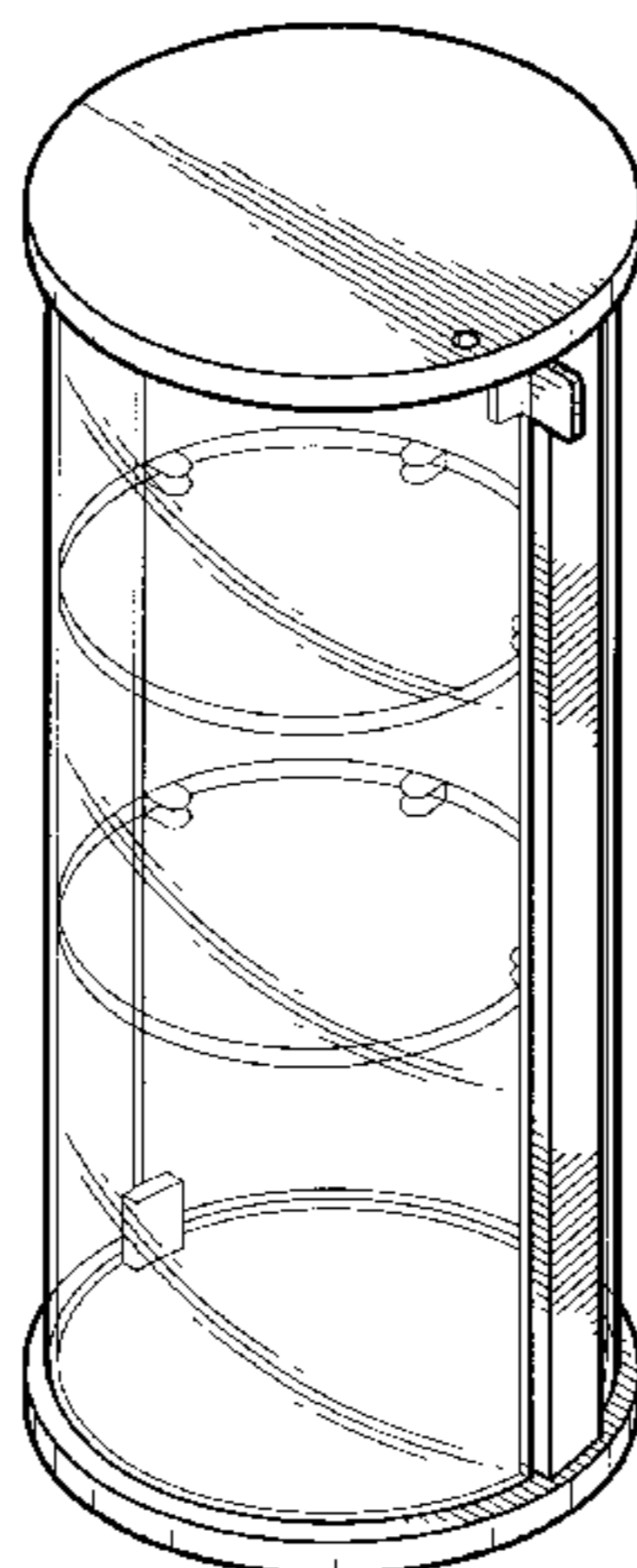
FIG. 22 is a top, plan view of the nightstand of FIG. 19;

FIG. 23 is a front, elevational view of the nightstand of FIG. 19; and,

FIG. 24 is a rear, elevational view of the nightstand of FIG. 19.

The broken line showings are for environmental purposes only and form no part of the claimed design.

1 Claim, 8 Drawing Sheets



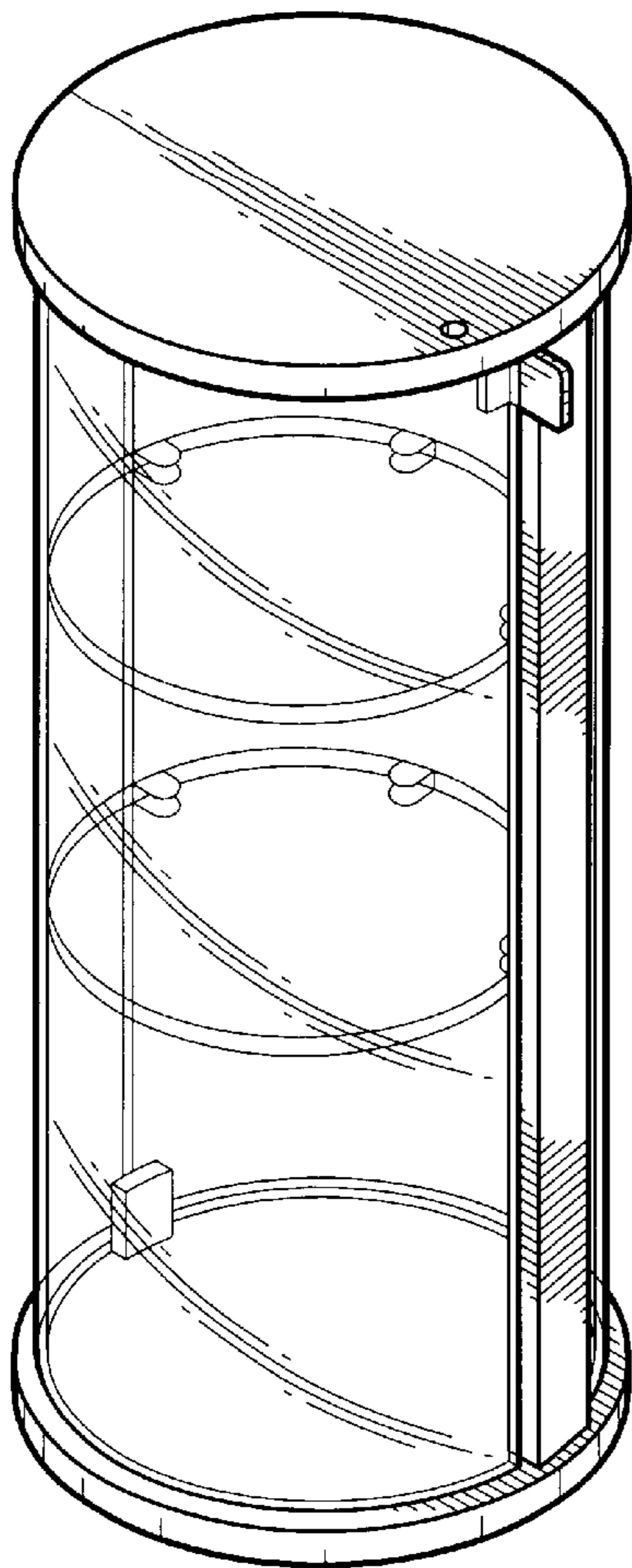


FIG. 1

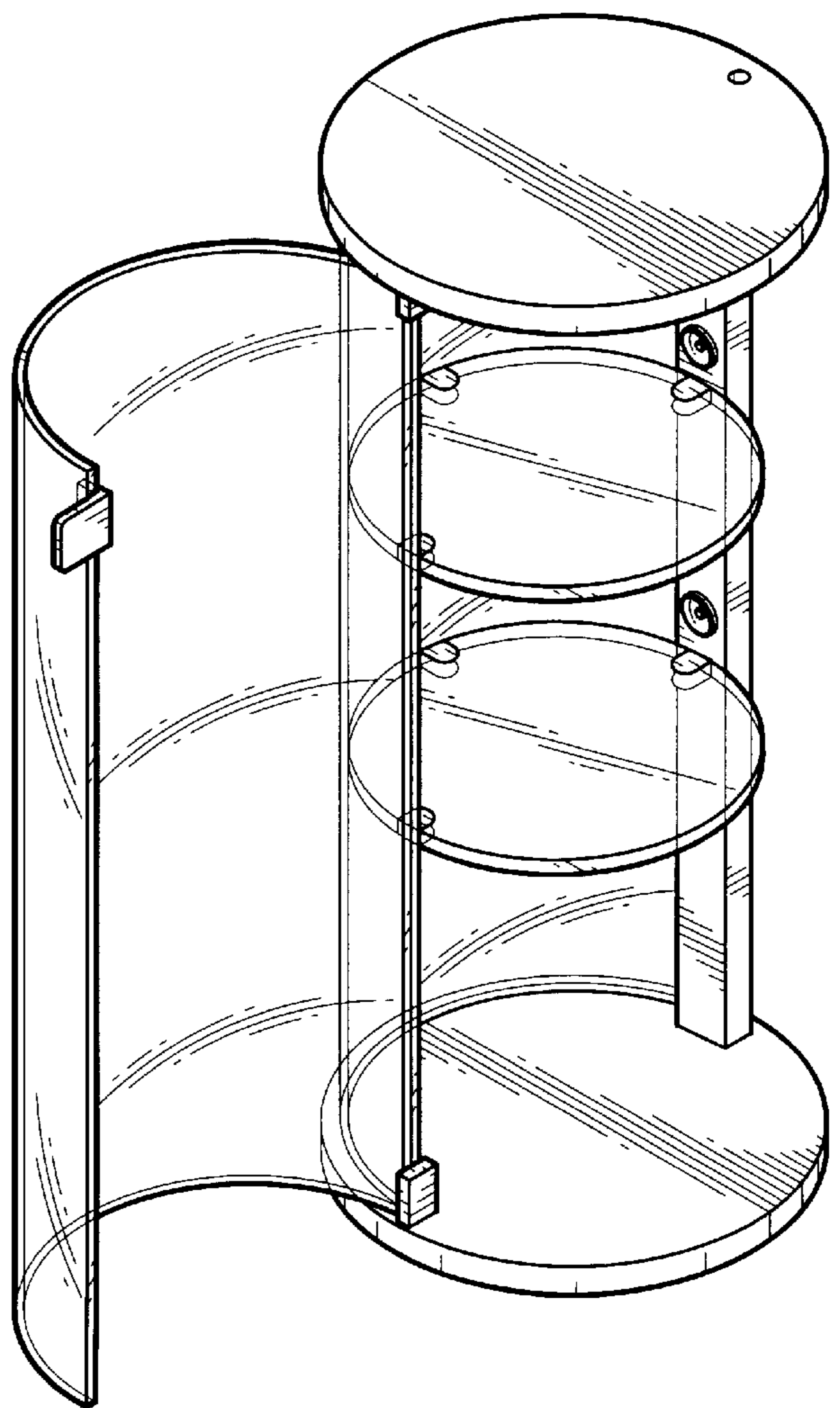


FIG. 2

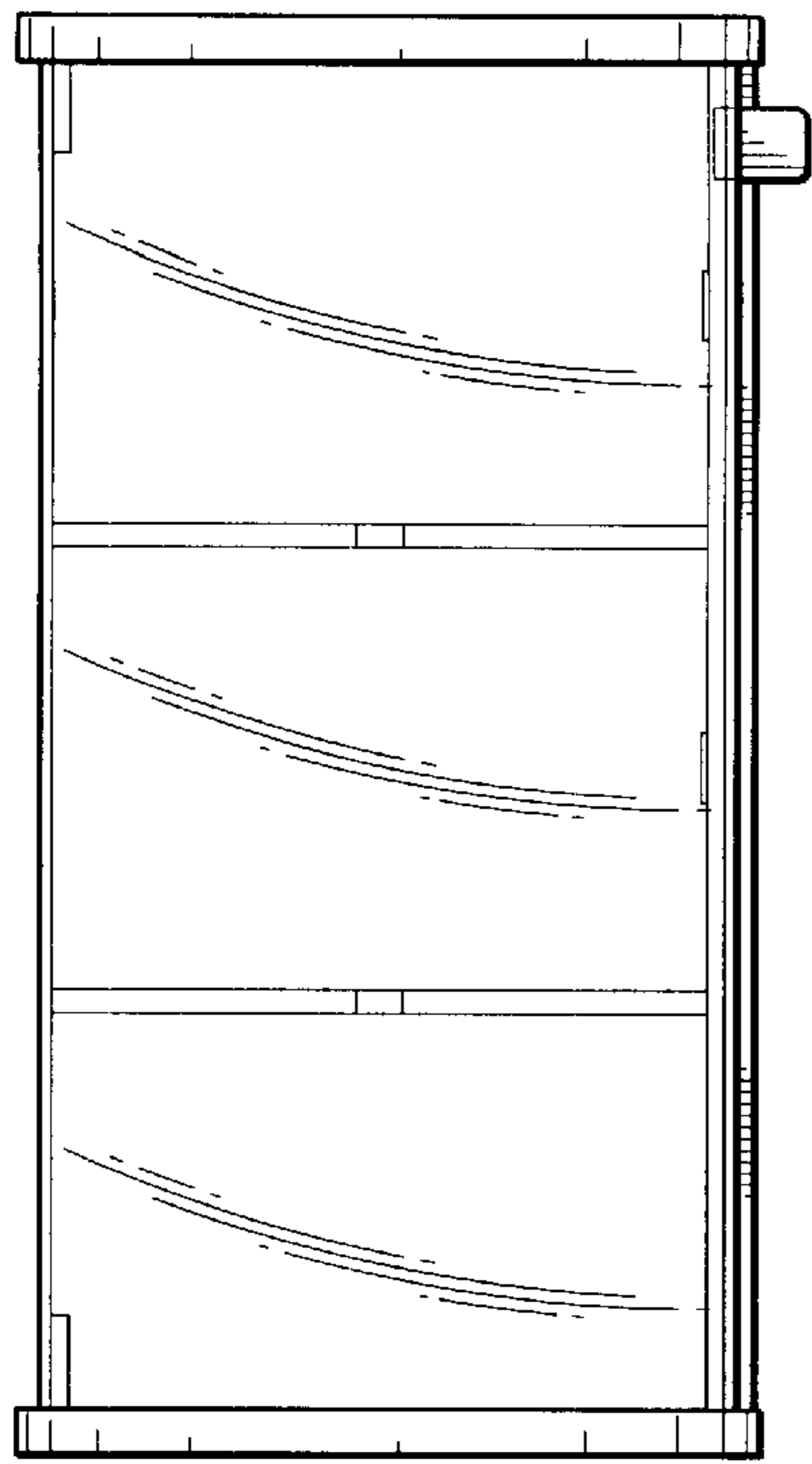


FIG. 3

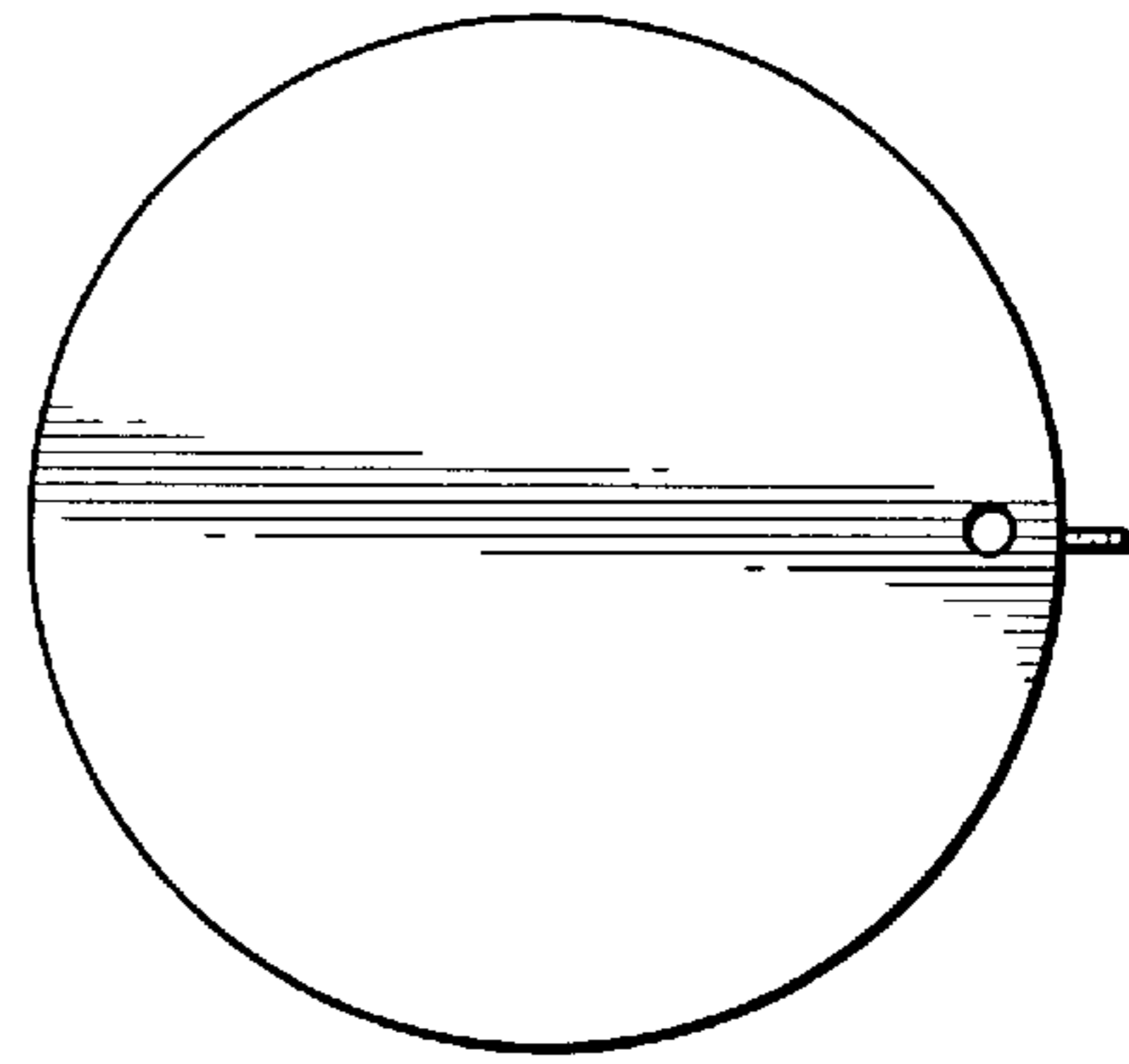


FIG. 4

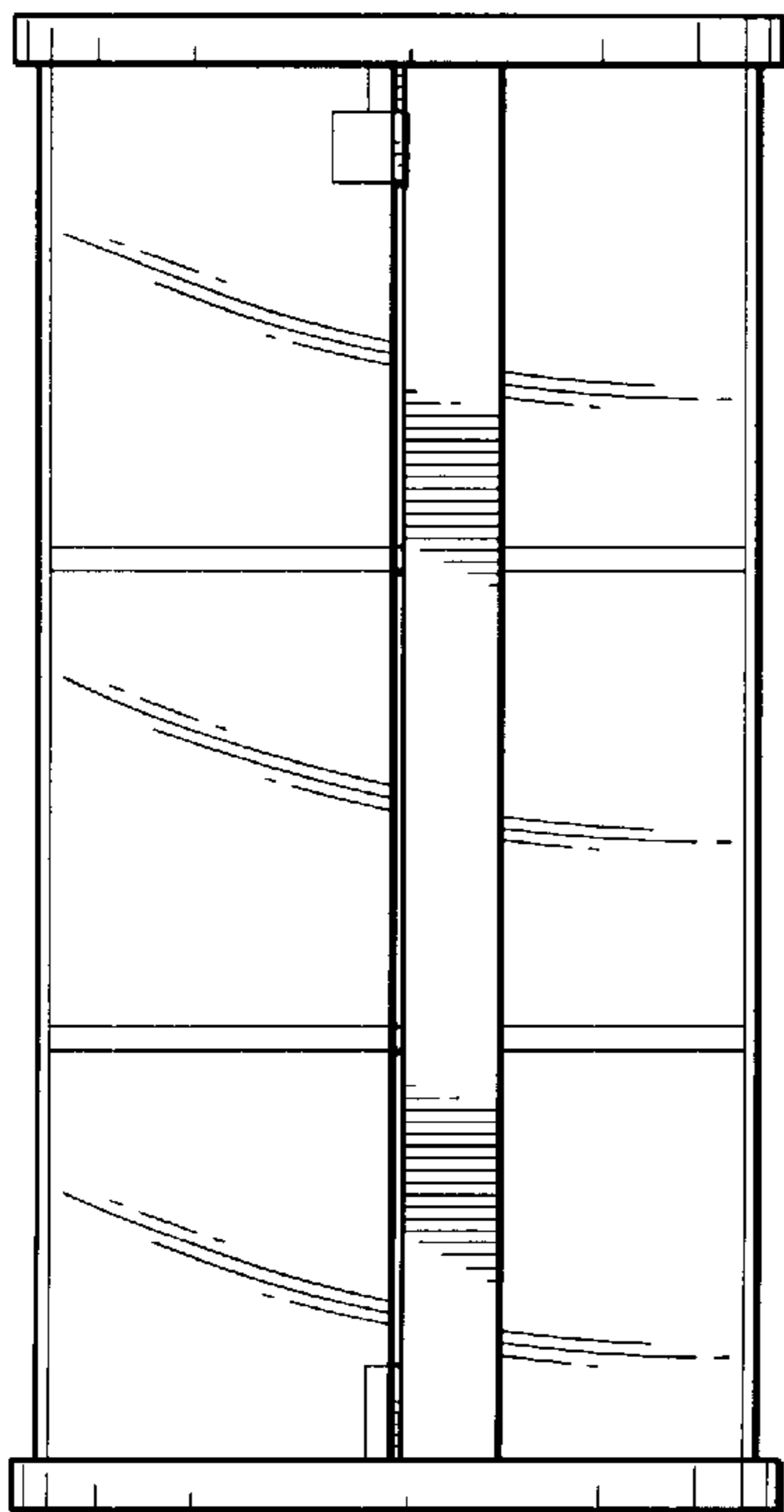


FIG. 5

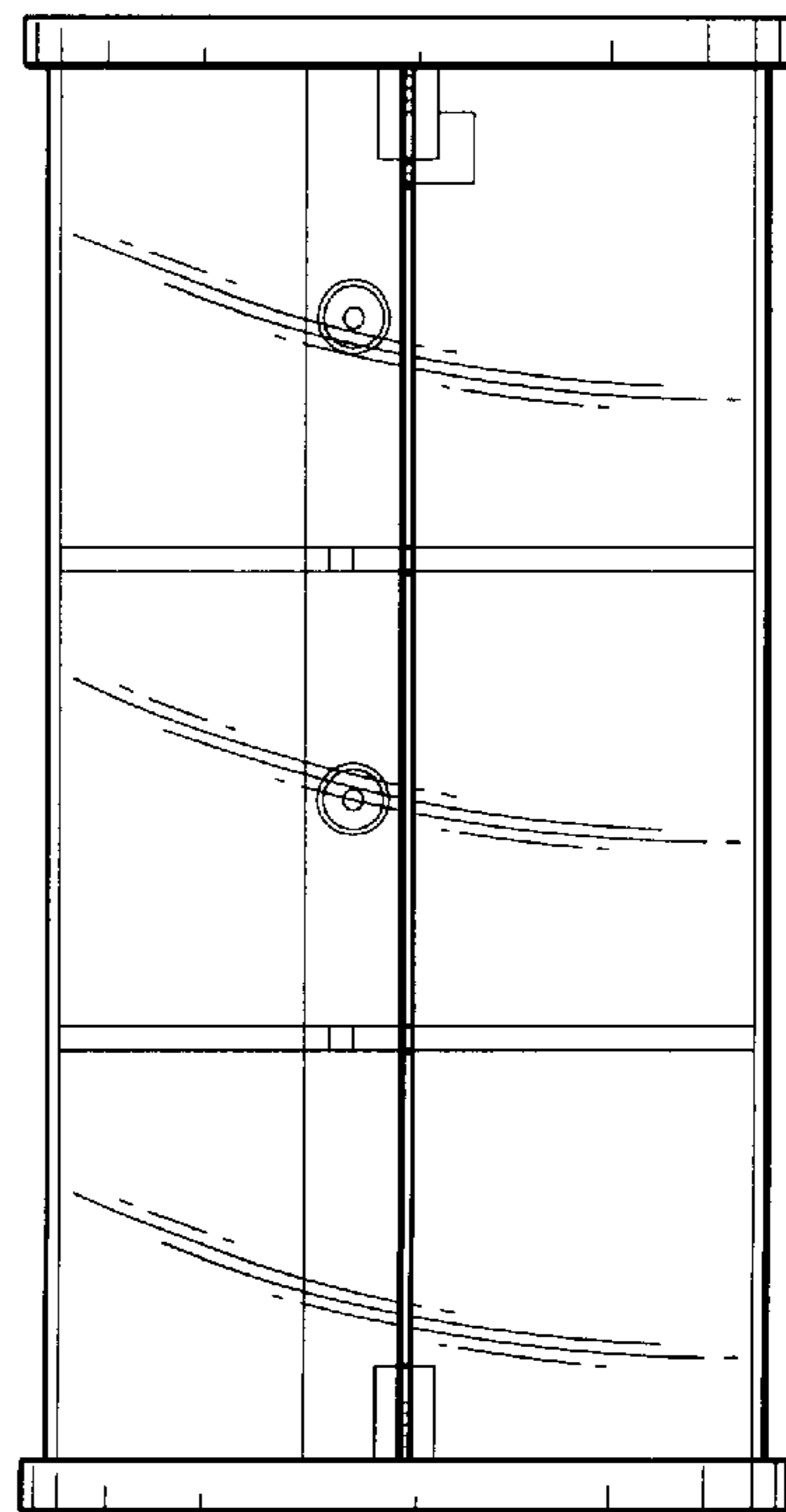


FIG. 6

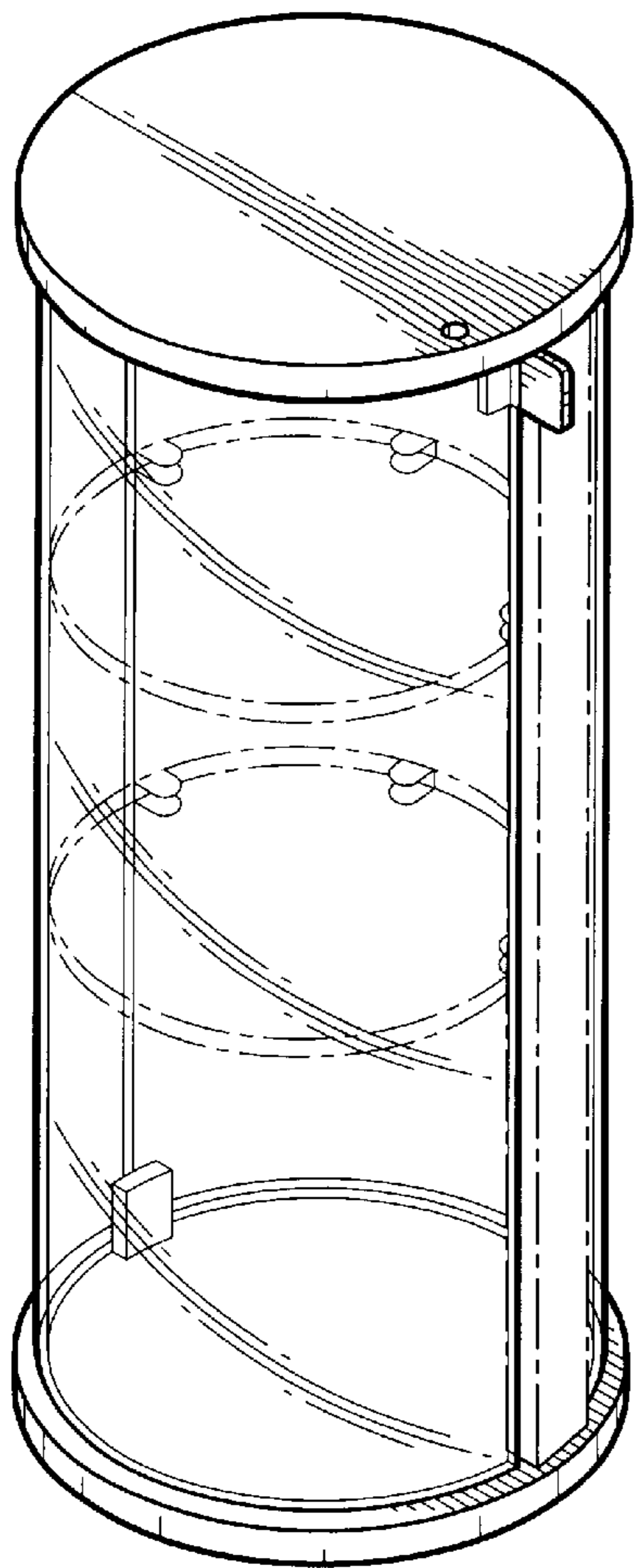


FIG. 7

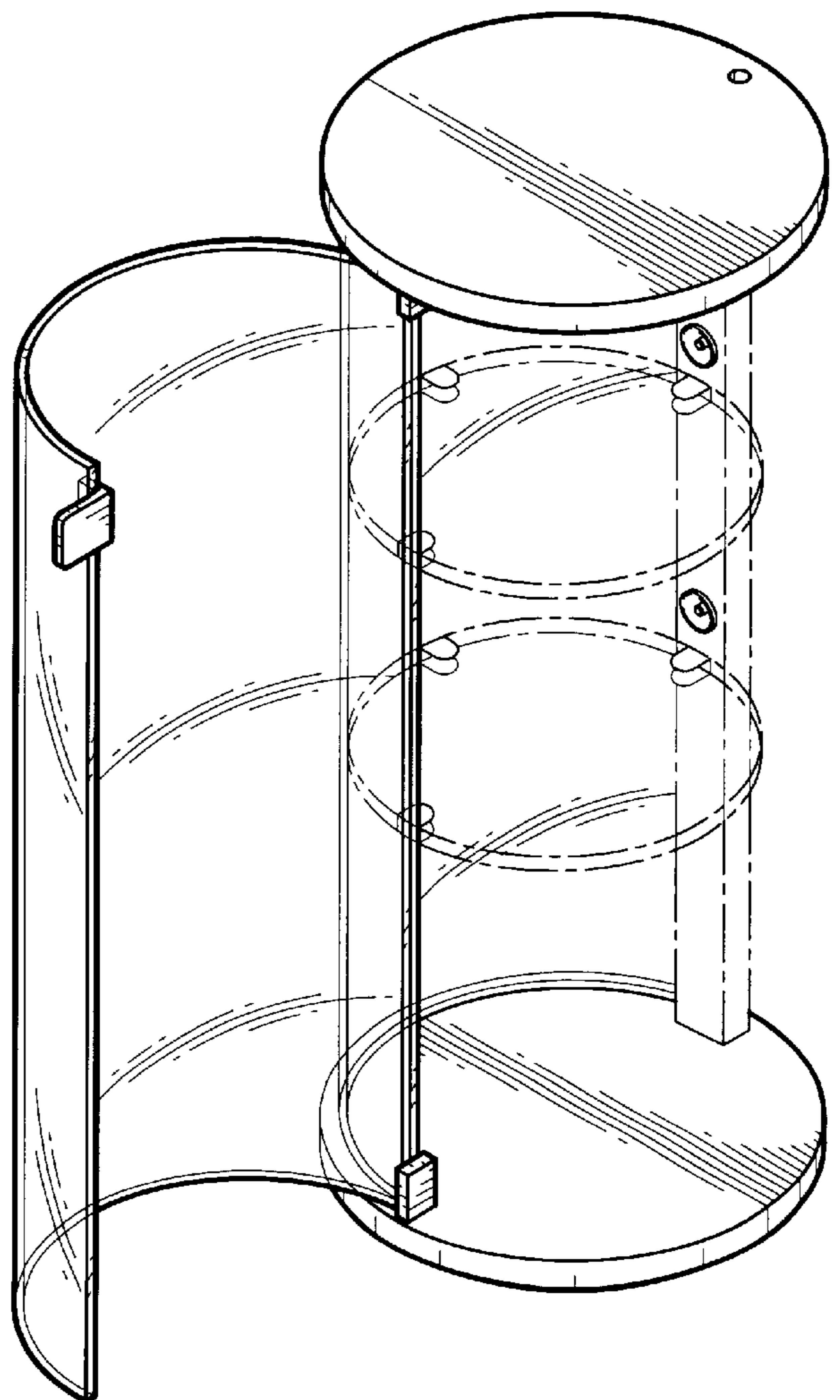


FIG. 8

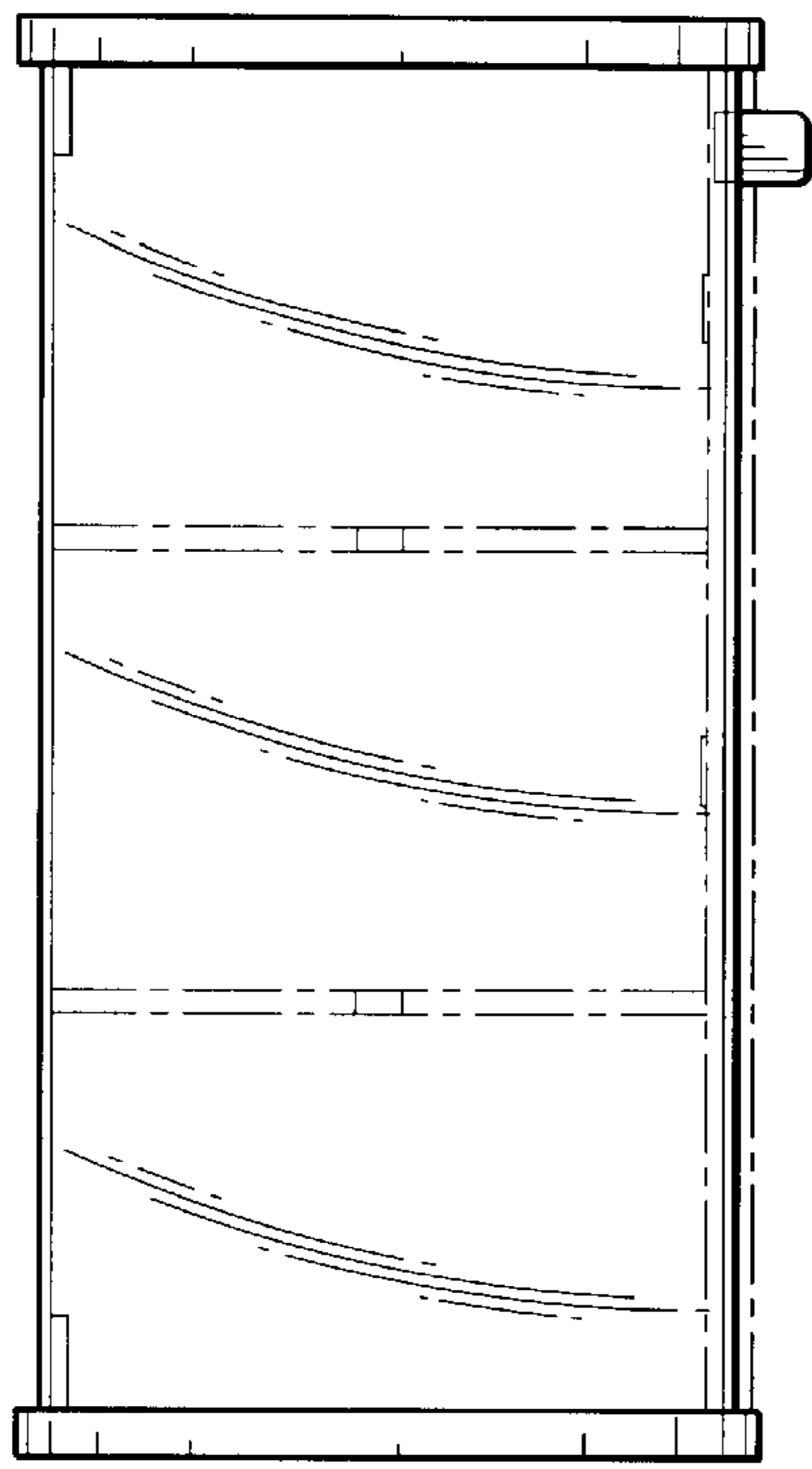


FIG. 9

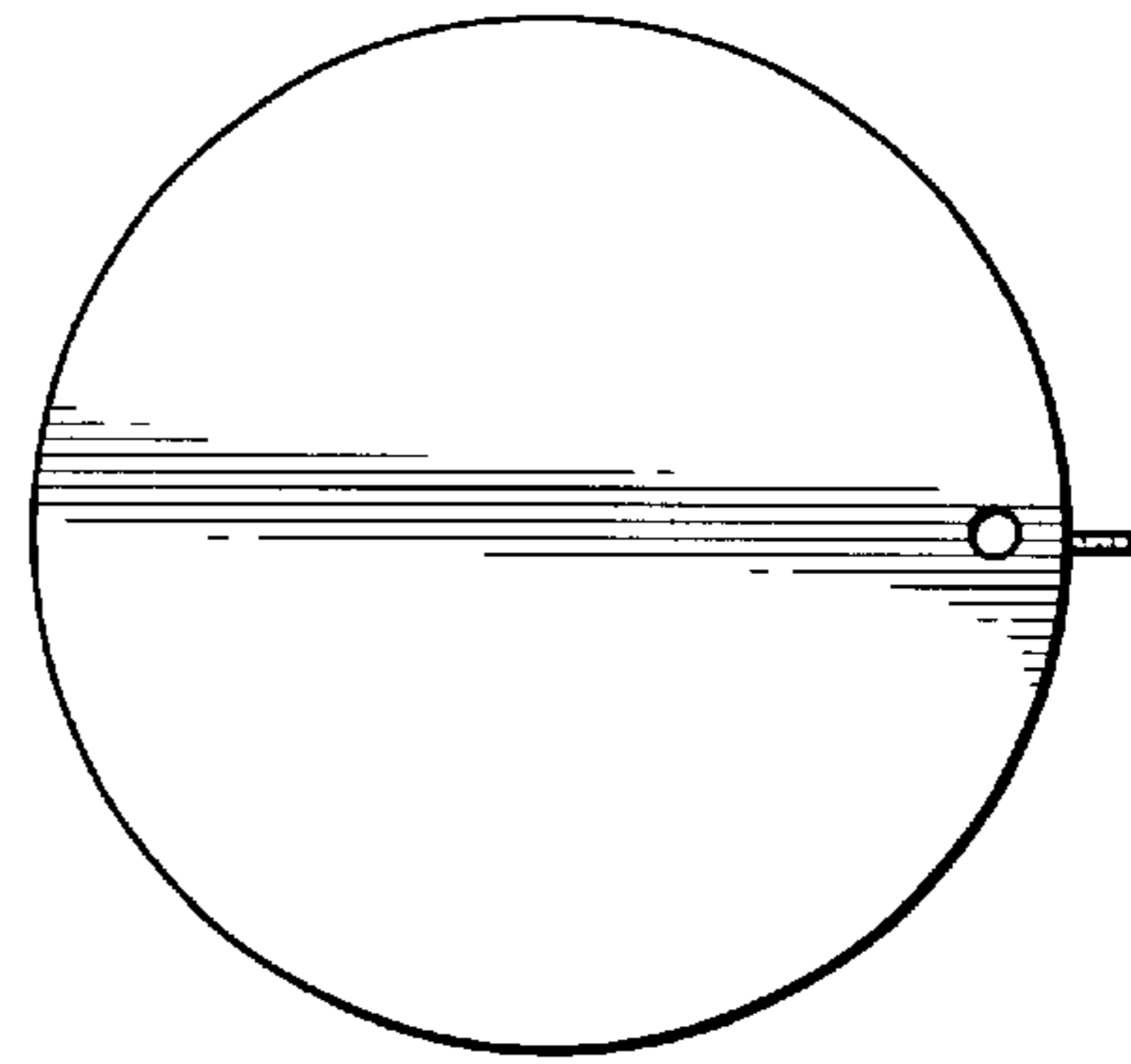


FIG. 10

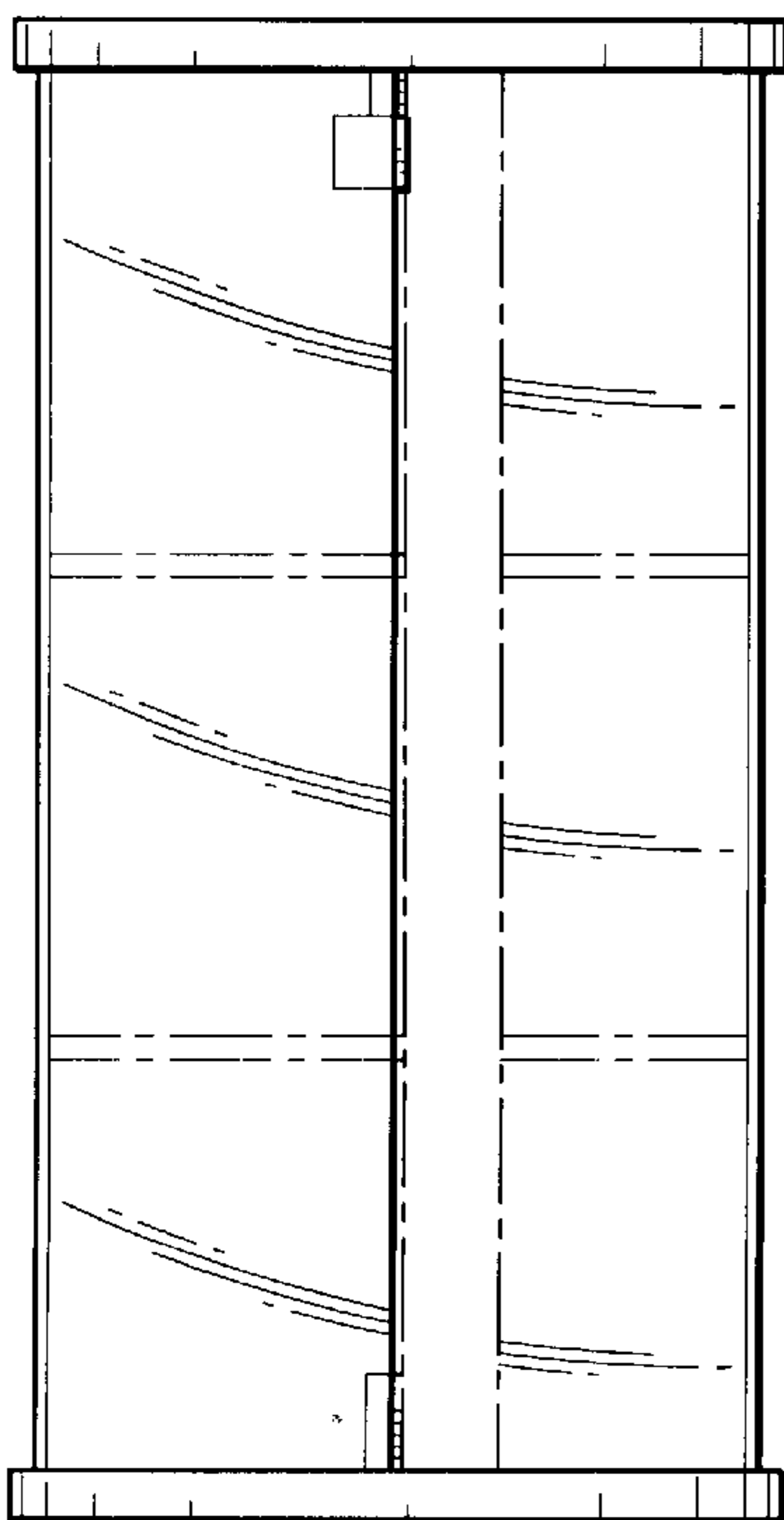


FIG. 11

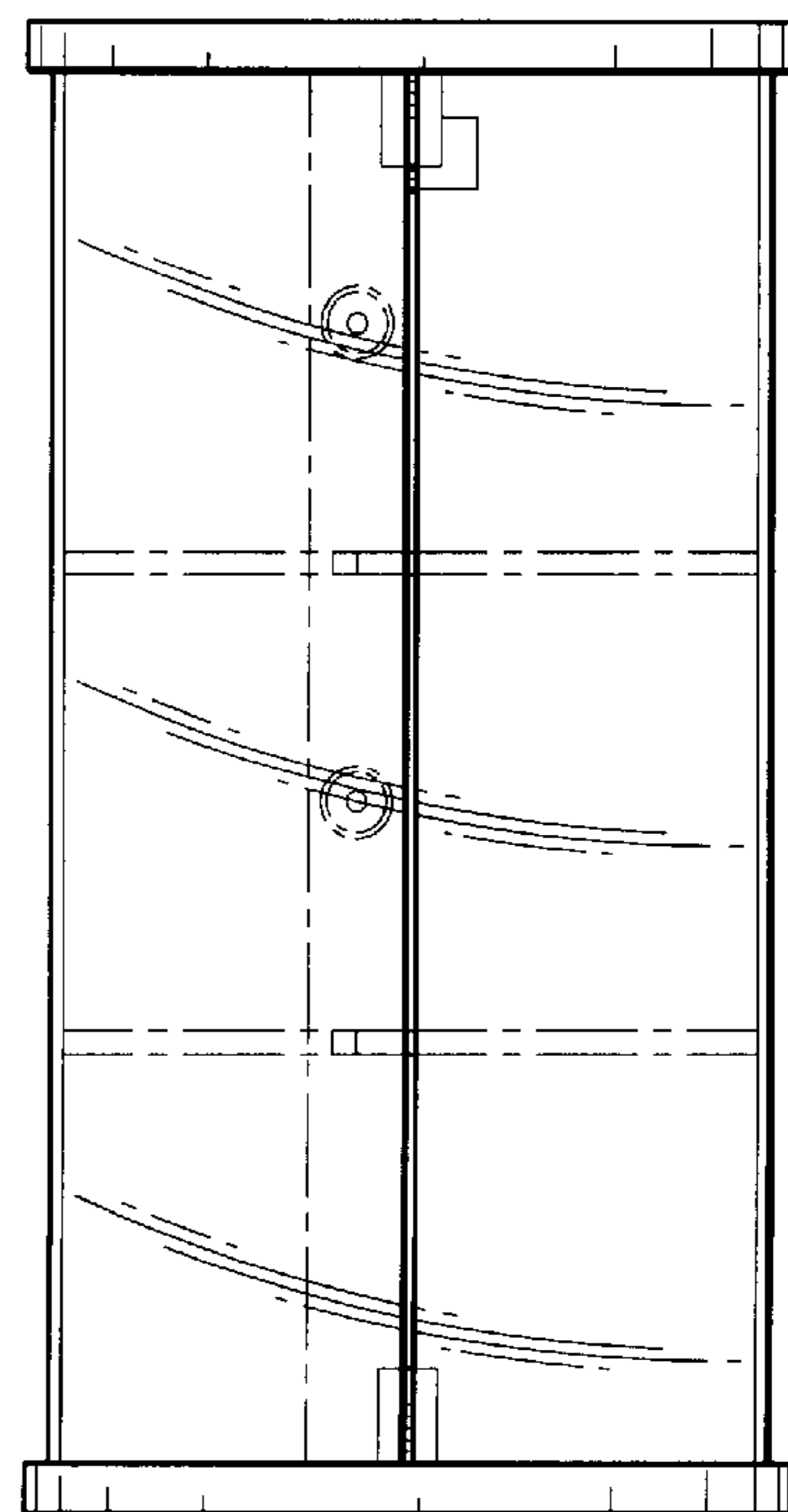


FIG. 12

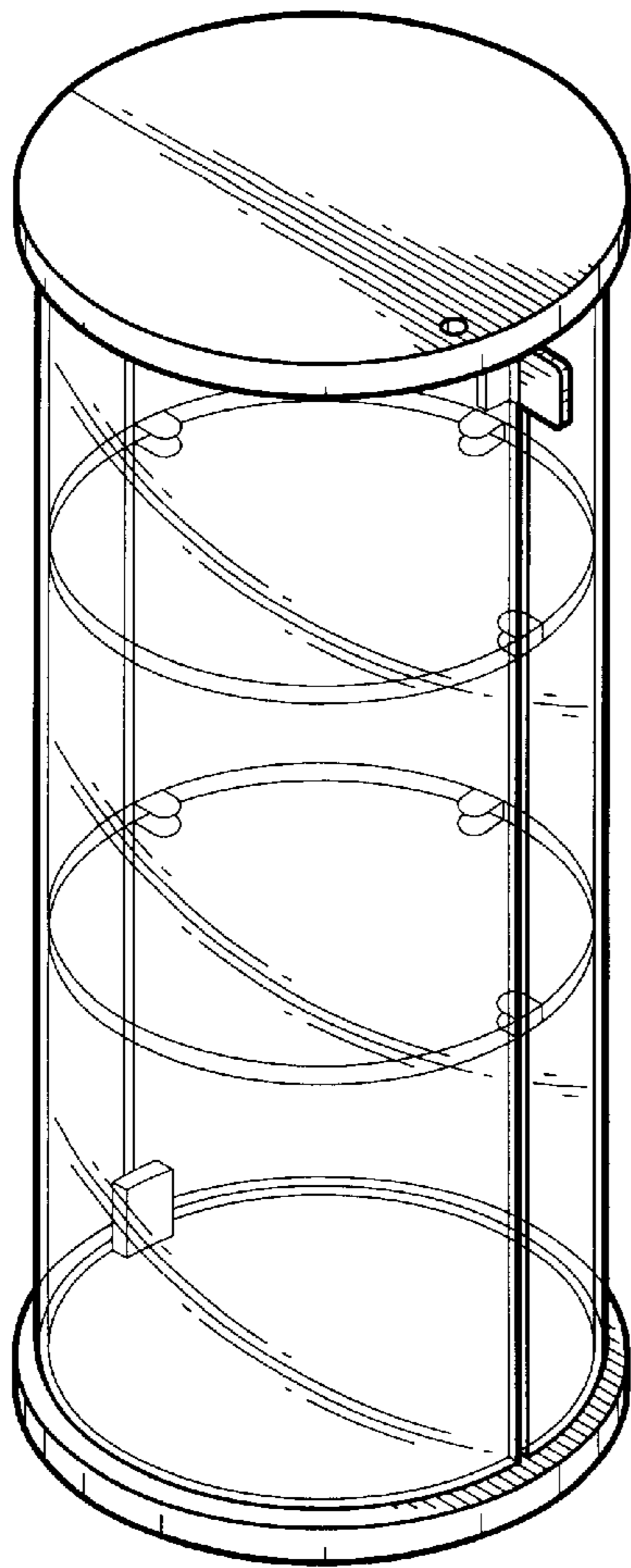


FIG. 13

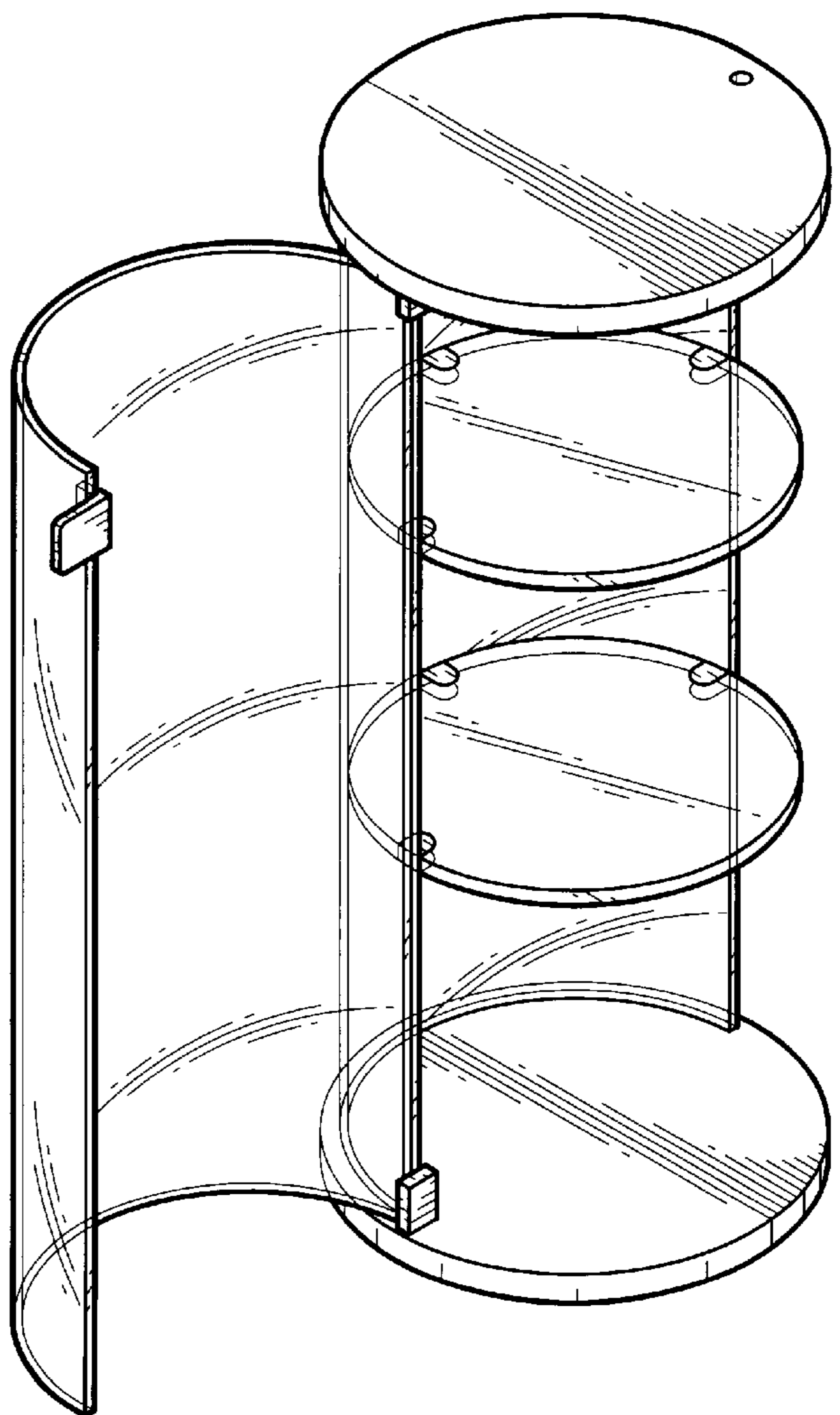


FIG. 14

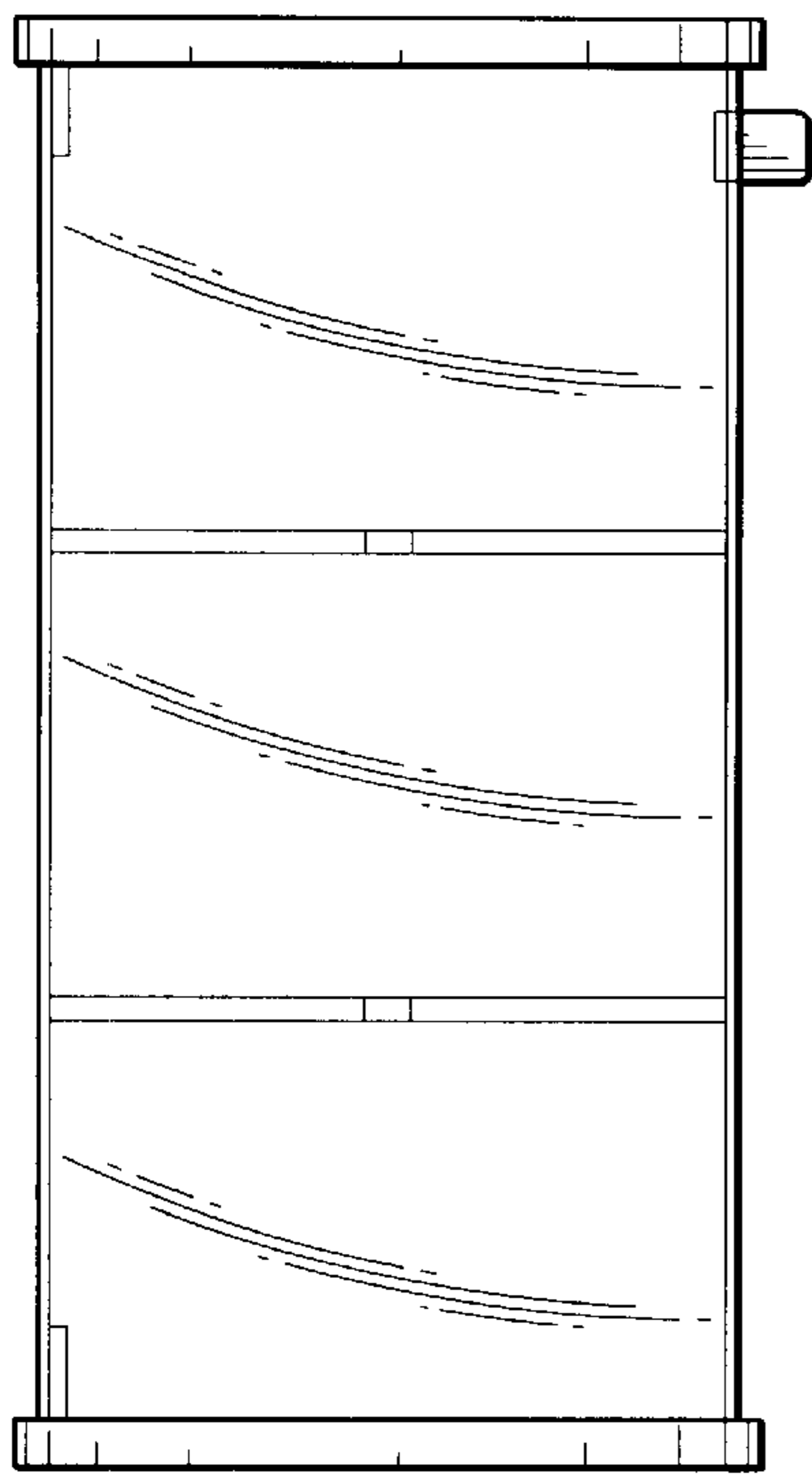


FIG. 15

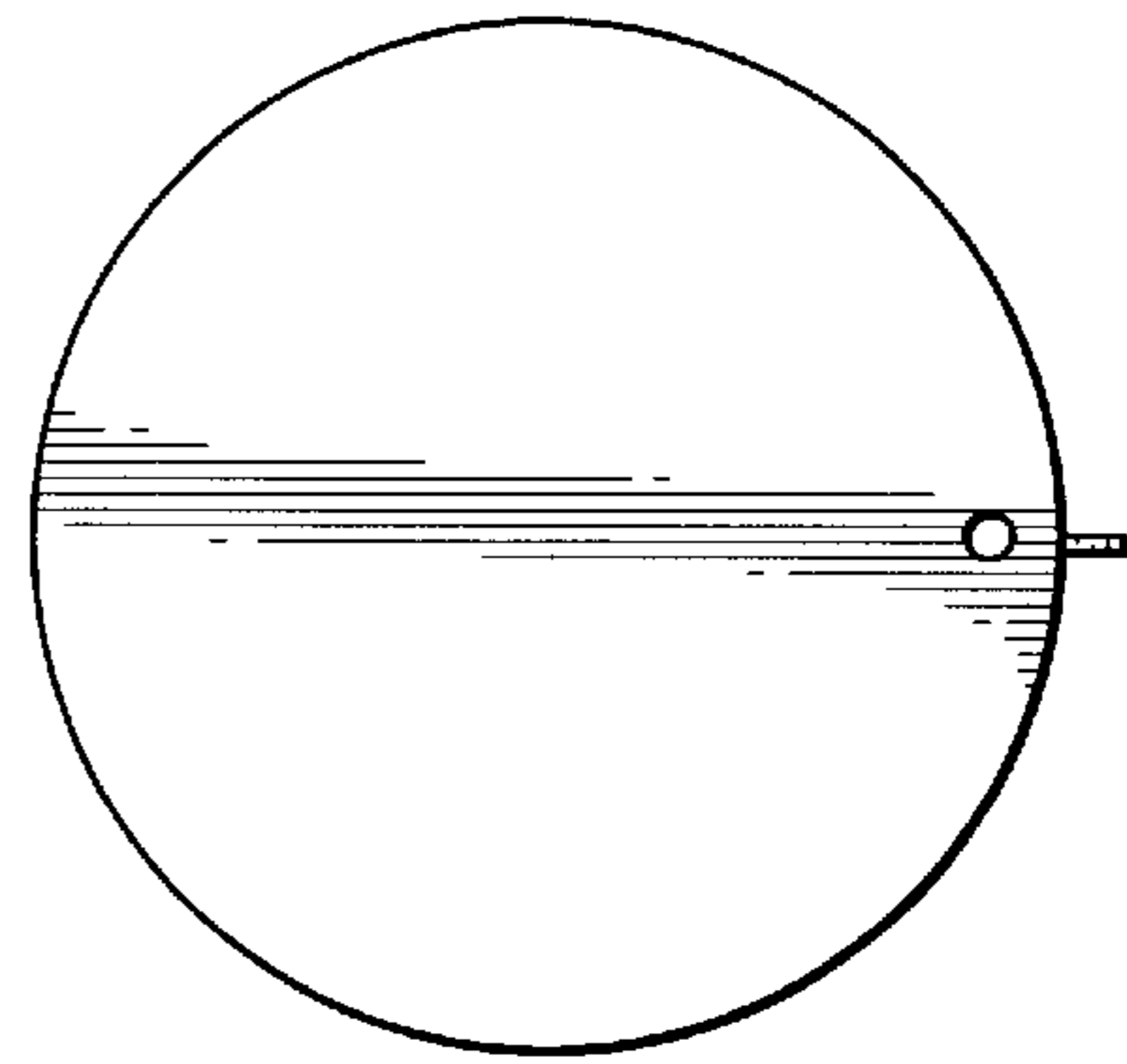


FIG. 16

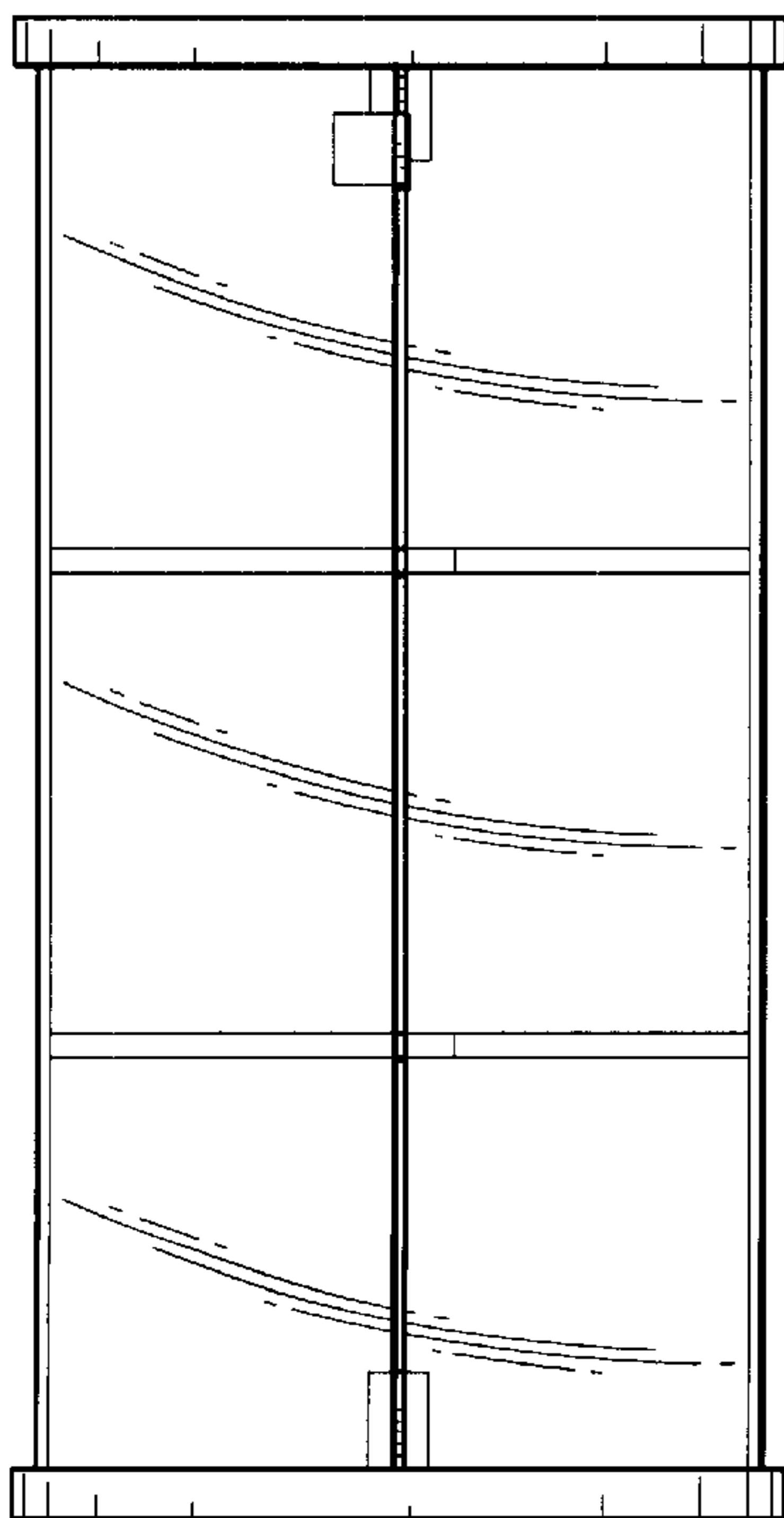


FIG. 17

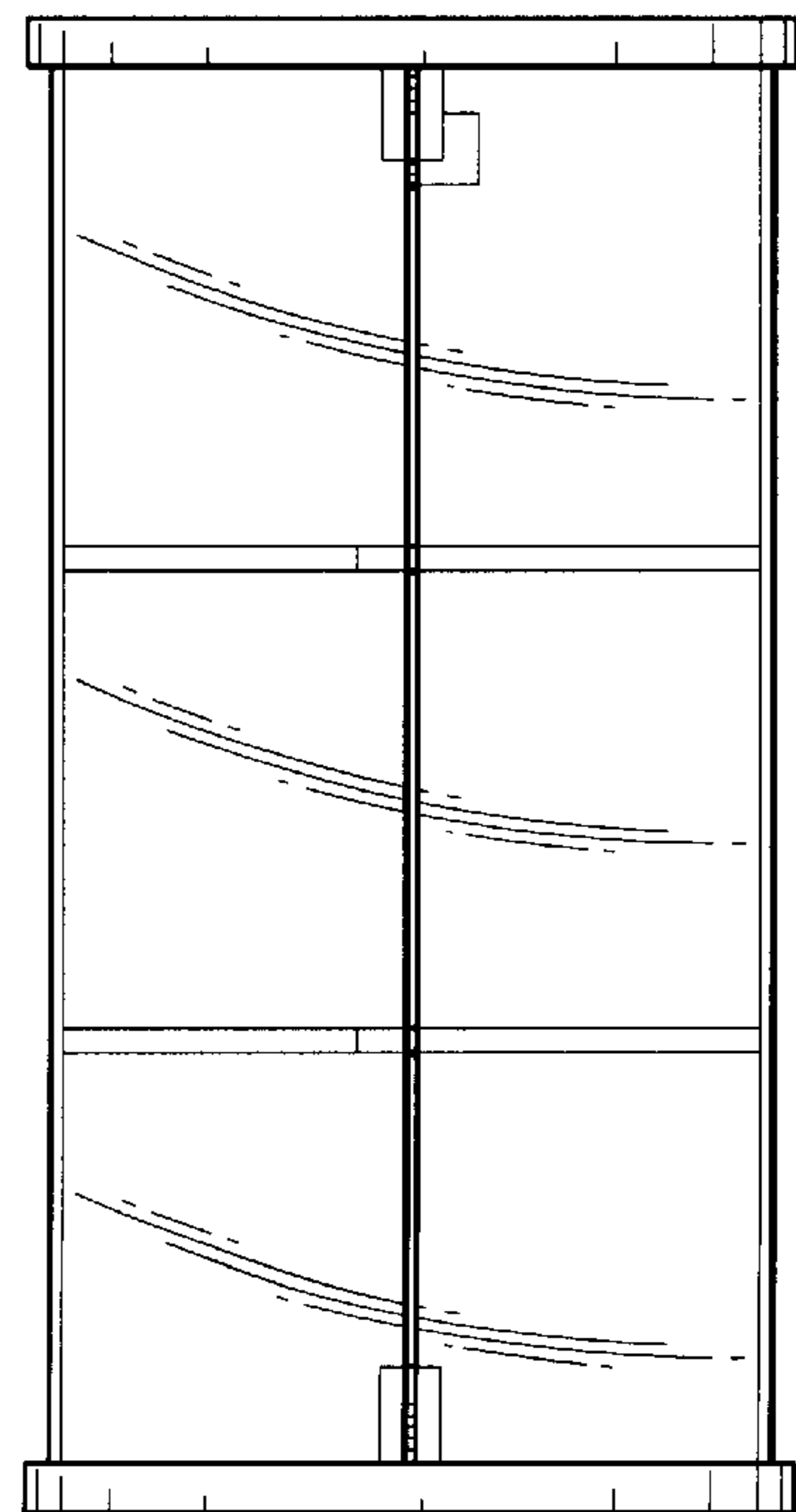


FIG. 18

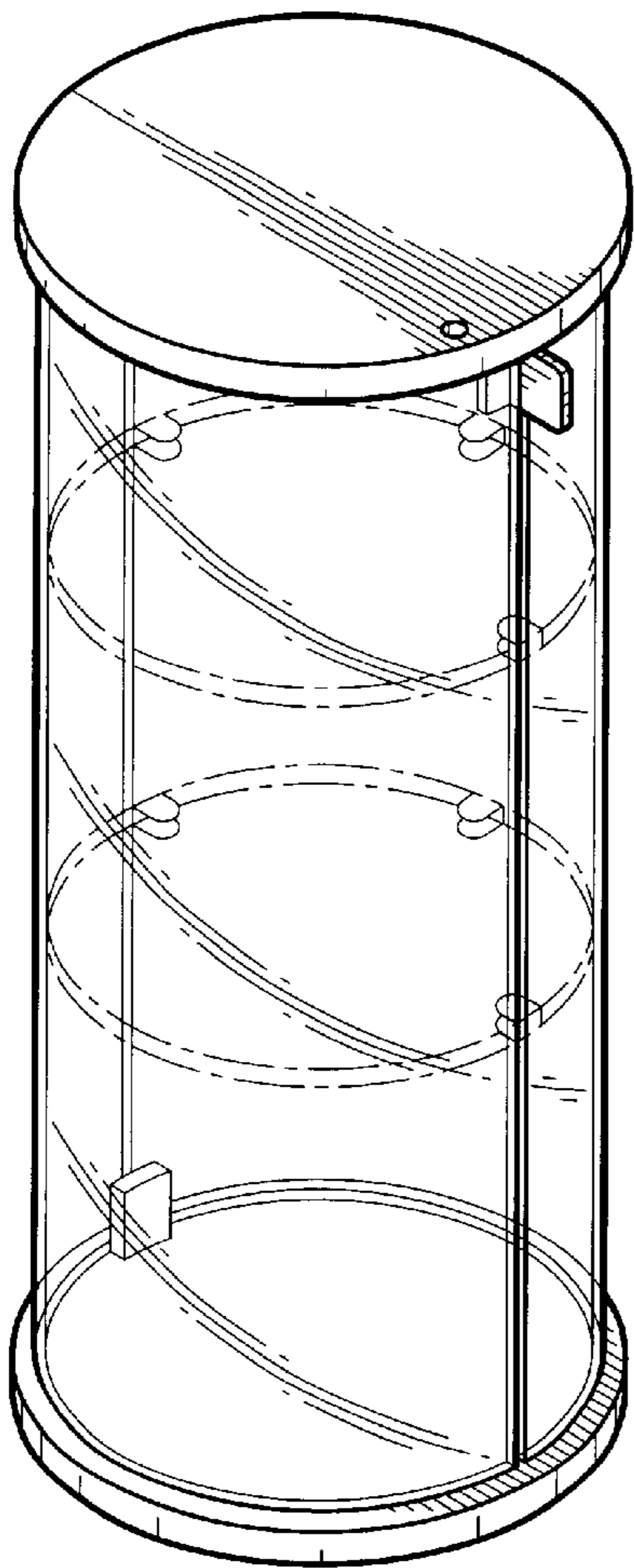


FIG. 19

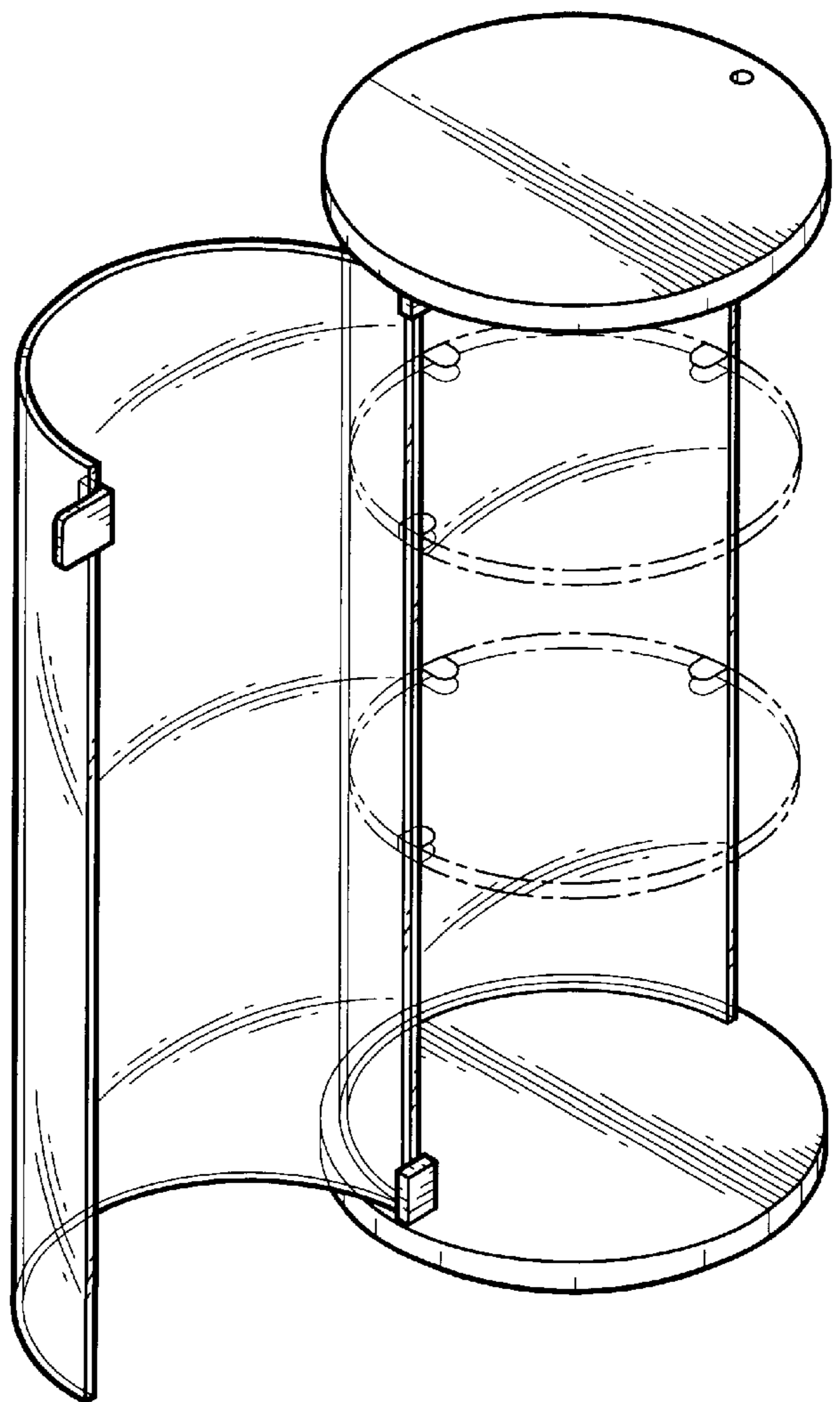


FIG. 20

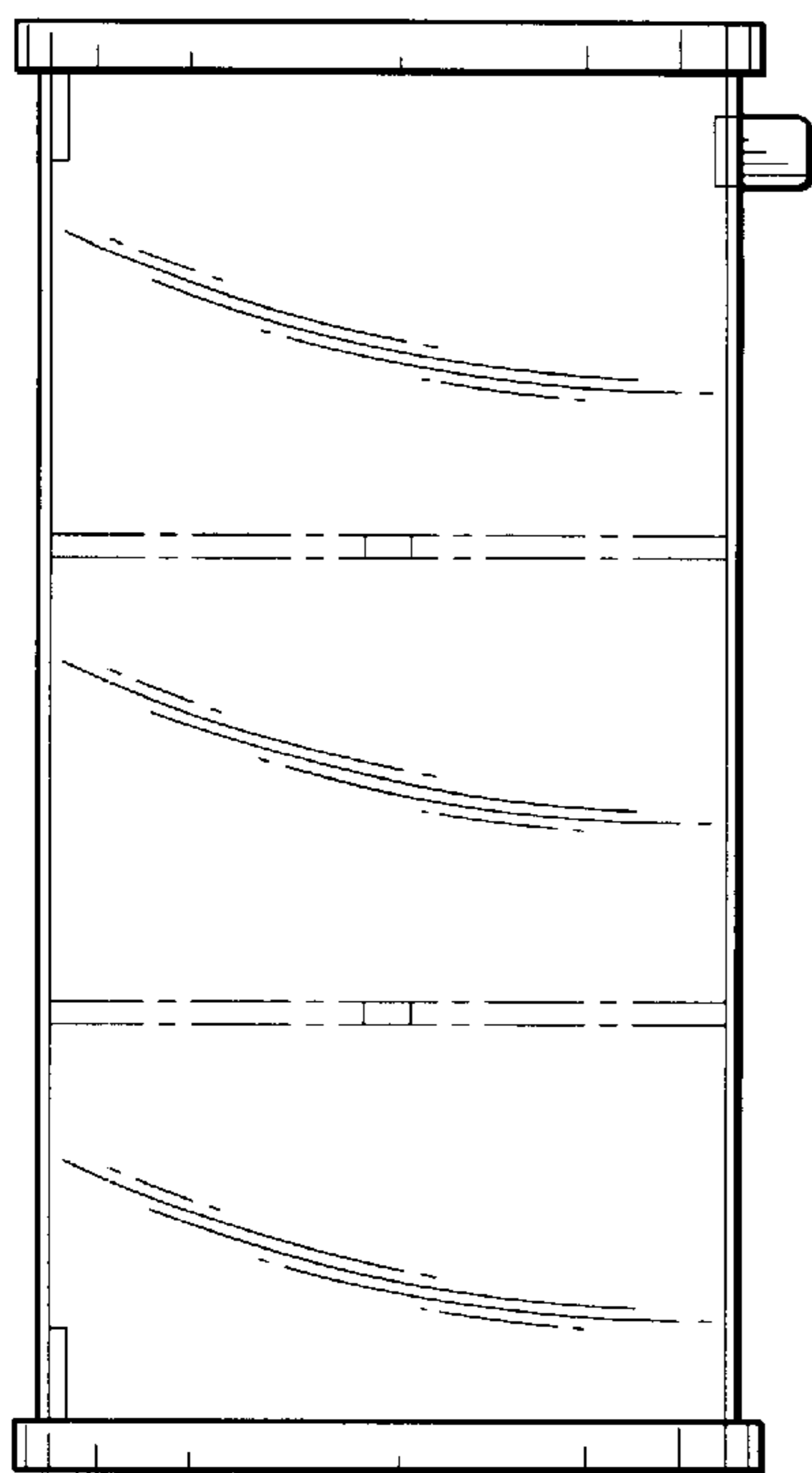


FIG. 21

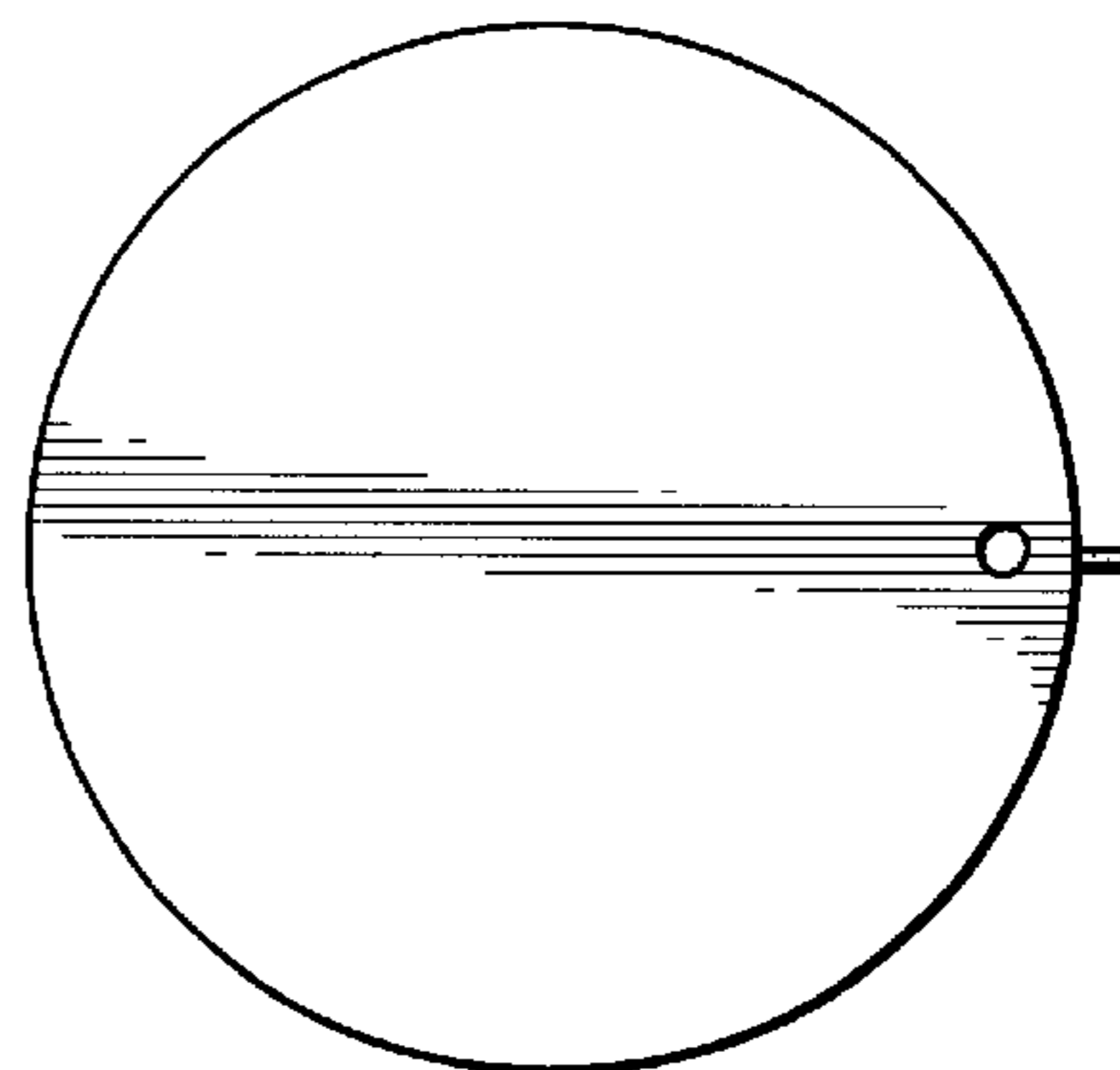


FIG. 22

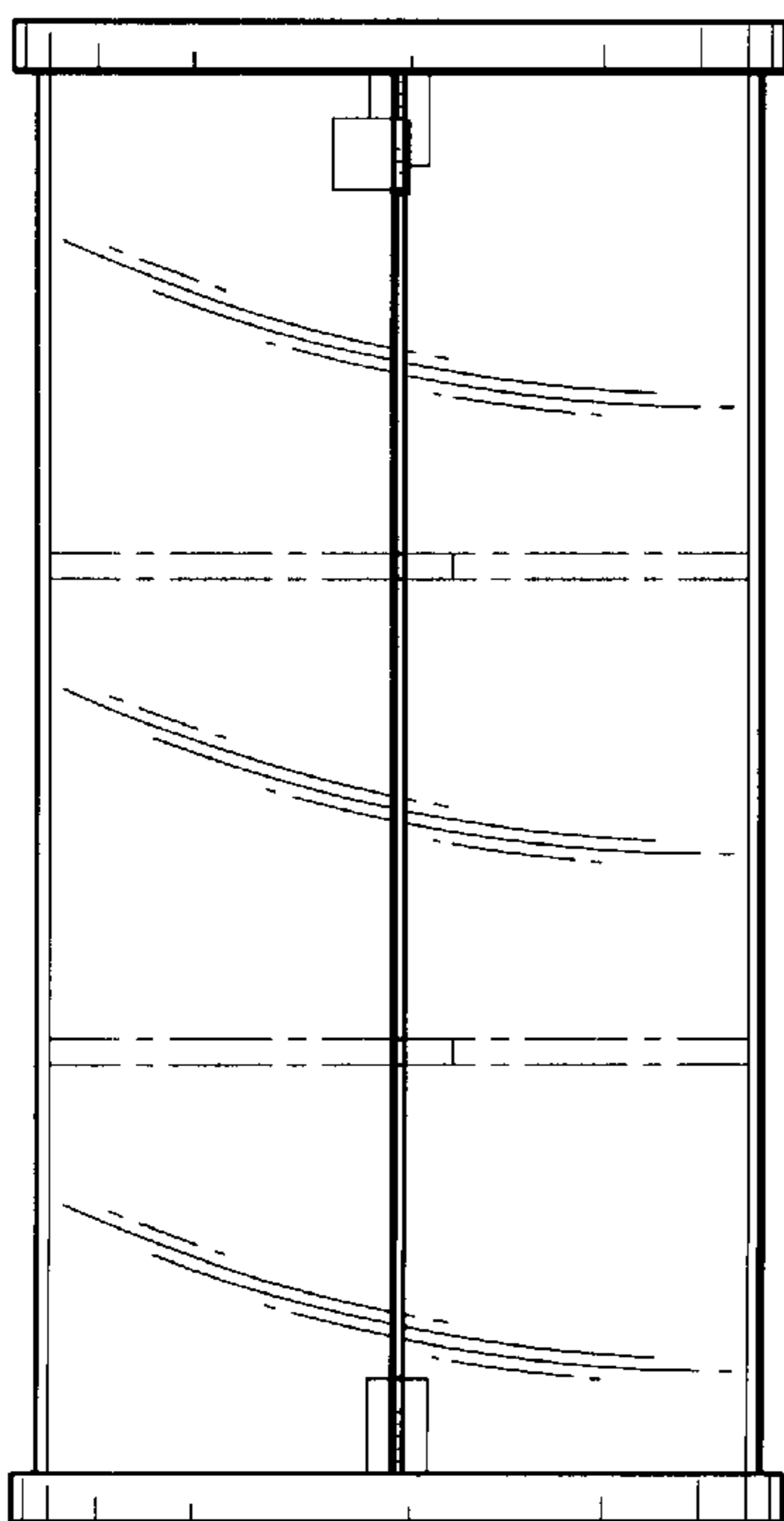


FIG. 23

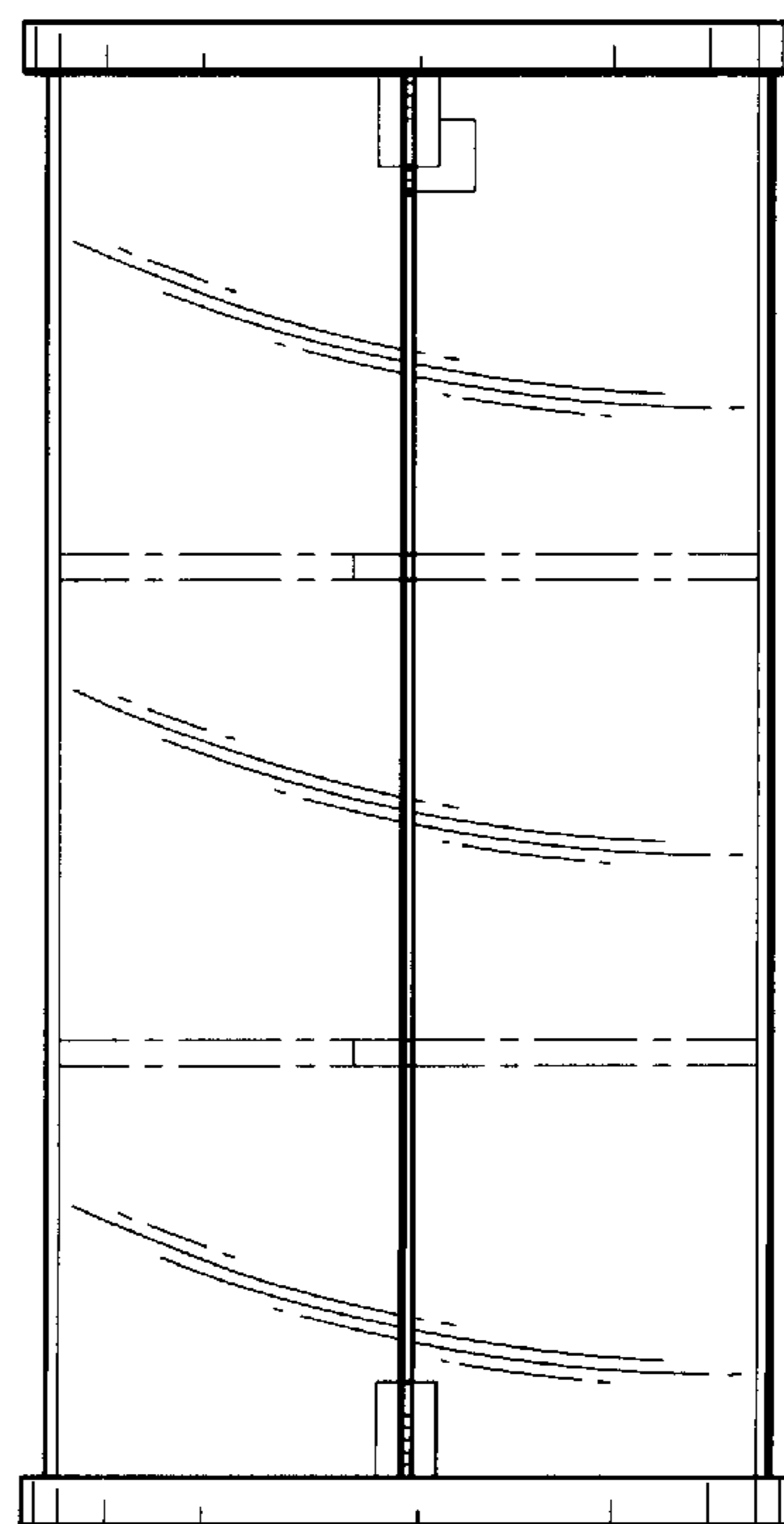


FIG. 24