



US00D471736S

(12) **United States Design Patent**
Draheim et al.

(10) **Patent No.:** **US D471,736 S**

(45) **Date of Patent:** **** Mar. 18, 2003**

(54) **CHEST OF DRAWERS**

D444,963 S 7/2001 Draheim et al.
D446,666 S 8/2001 Draheim et al.
D447,647 S 9/2001 Draheim et al.

(75) Inventors: **Harvey J. Draheim**, Weyauwega, WI (US); **Scott A. Krueger**, Appleton, WI (US)

OTHER PUBLICATIONS

(73) Assignee: **Simmons Juvenile Products Company, Inc.**, New London, WI (US)

Simmons Juvenile Products Company Inc. catalog, "Toy-box/Decon's Bench No. 0320 and 0321" (1996).

(**) Term: **14 Years**

* cited by examiner

(21) Appl. No.: **29/159,243**

Primary Examiner—Cathron C. Brooks

(22) Filed: **Apr. 16, 2002**

(74) *Attorney, Agent, or Firm*—Hoffman & Baron, LLP

(51) **LOC (7) Cl.** **06-04**

(52) **U.S. Cl.** **D6/446; D6/436**

(58) **Field of Search** D6/432-448; 312/138.1, 312/196, 204, 224, 238, 278, 279, 291, 114, 194, 348.4

(57) **CLAIM**

The ornamental design for a chest of drawers, as shown and described.

(56) **References Cited**

DESCRIPTION

U.S. PATENT DOCUMENTS

- D347,337 S * 5/1994 Keller D6/434
- D373,490 S * 9/1996 Tabbia D6/445
- D381,223 S 6/1997 Brunner et al.
- D416,720 S 11/1999 Draheim et al.
- D426,729 S 6/2000 Draheim et al.
- D432,814 S * 10/2000 Draheim et al. D6/439
- D444,004 S 6/2001 Draheim et al.
- D444,648 S 7/2001 Draheim et al.
- D444,961 S 7/2001 Draheim et al.

FIG. 1 is a top perspective view of a chest of drawers showing our new design;
FIG. 2 is a top plan view thereof;
FIG. 3 is a front elevation view thereof;
FIG. 4 is a side elevation view thereof, the opposite side being a mirror image thereof; and,
FIG. 5 is an enlarged sectional view taken along line 5—5 of FIG. 3.

The bottom and rear views (not shown) form no part of the claimed design.

The broken line subject matter is for illustrative purposes only and forms no part of the claimed design.

1 Claim, 5 Drawing Sheets

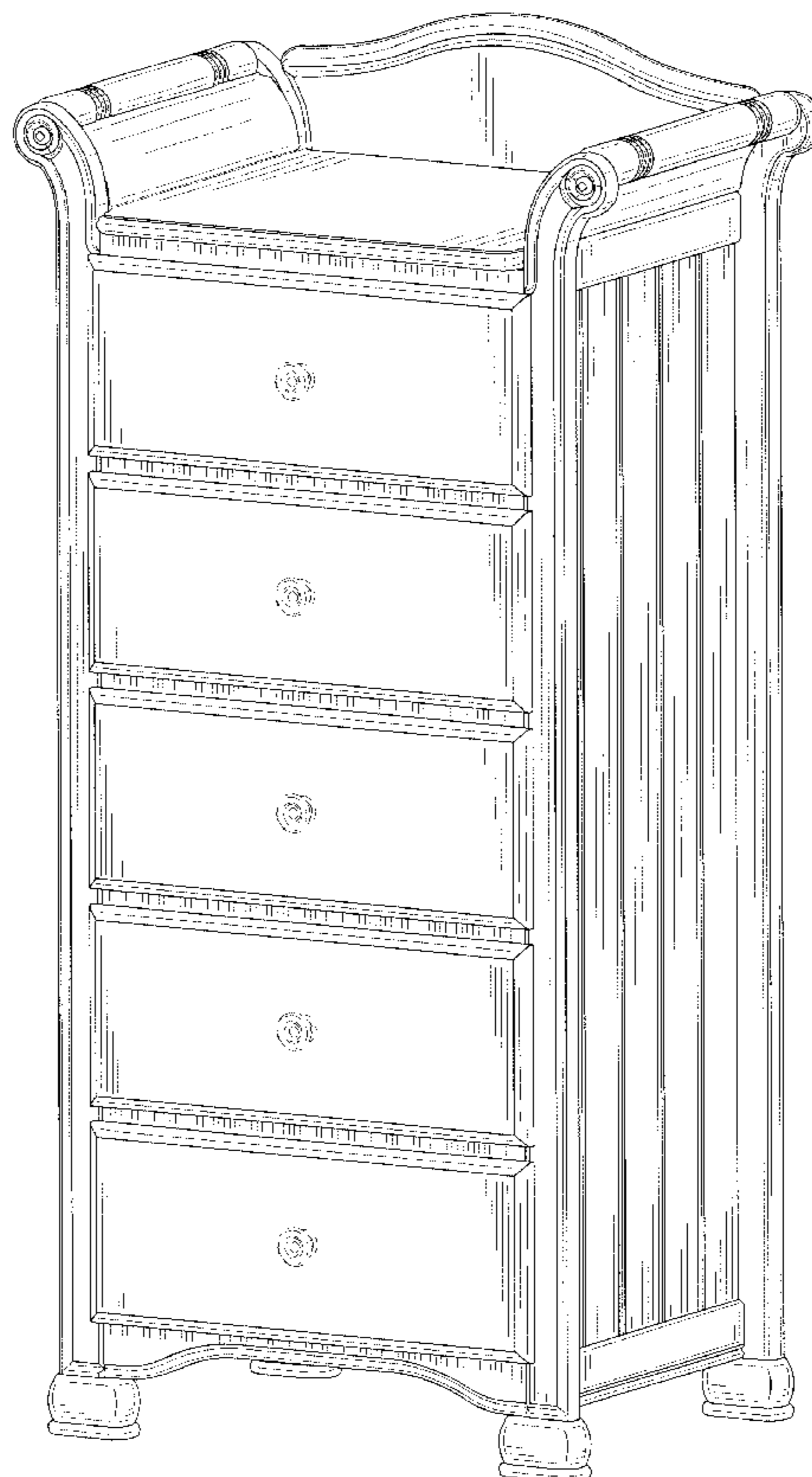


FIG. 1

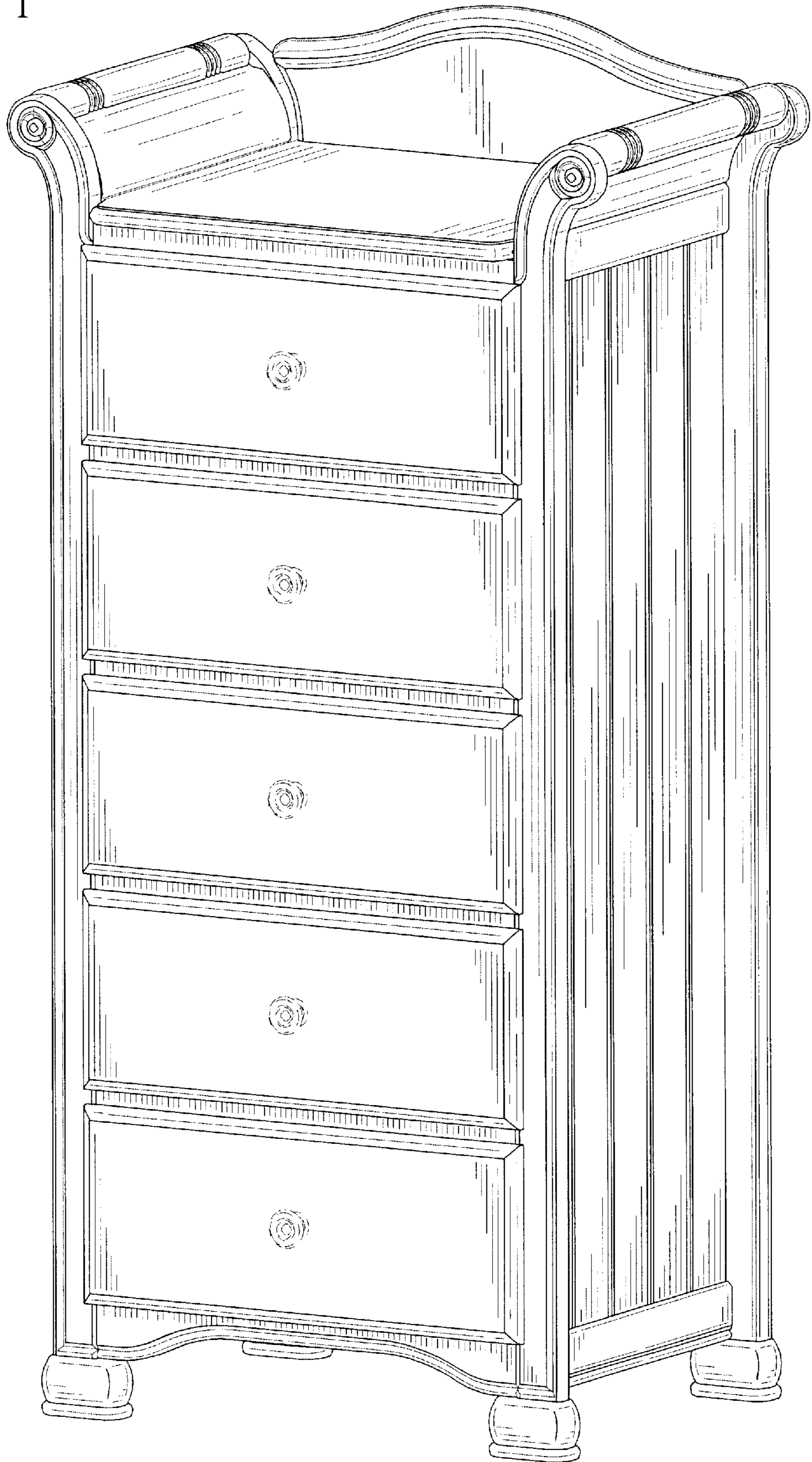


FIG. 2

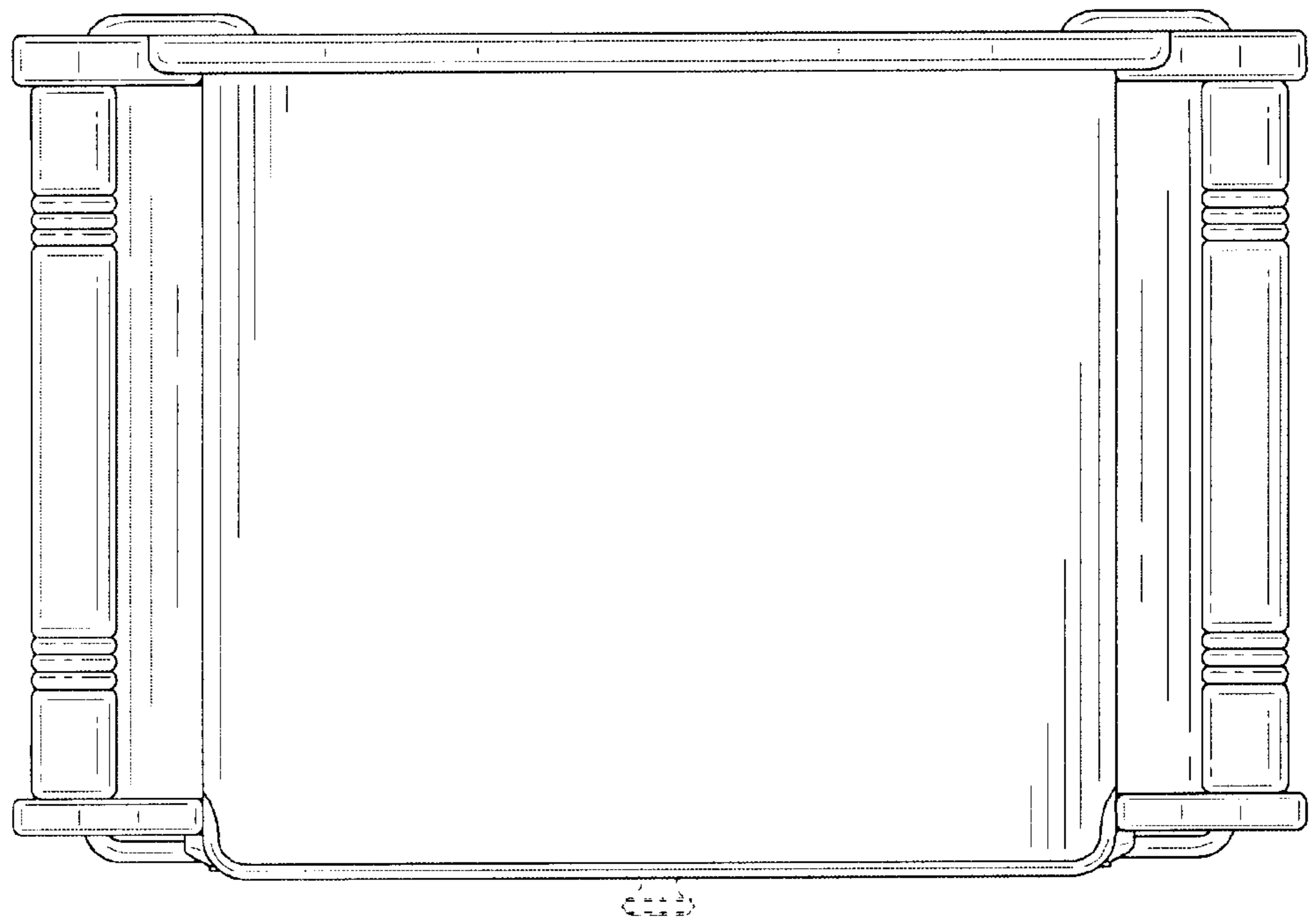


FIG. 3

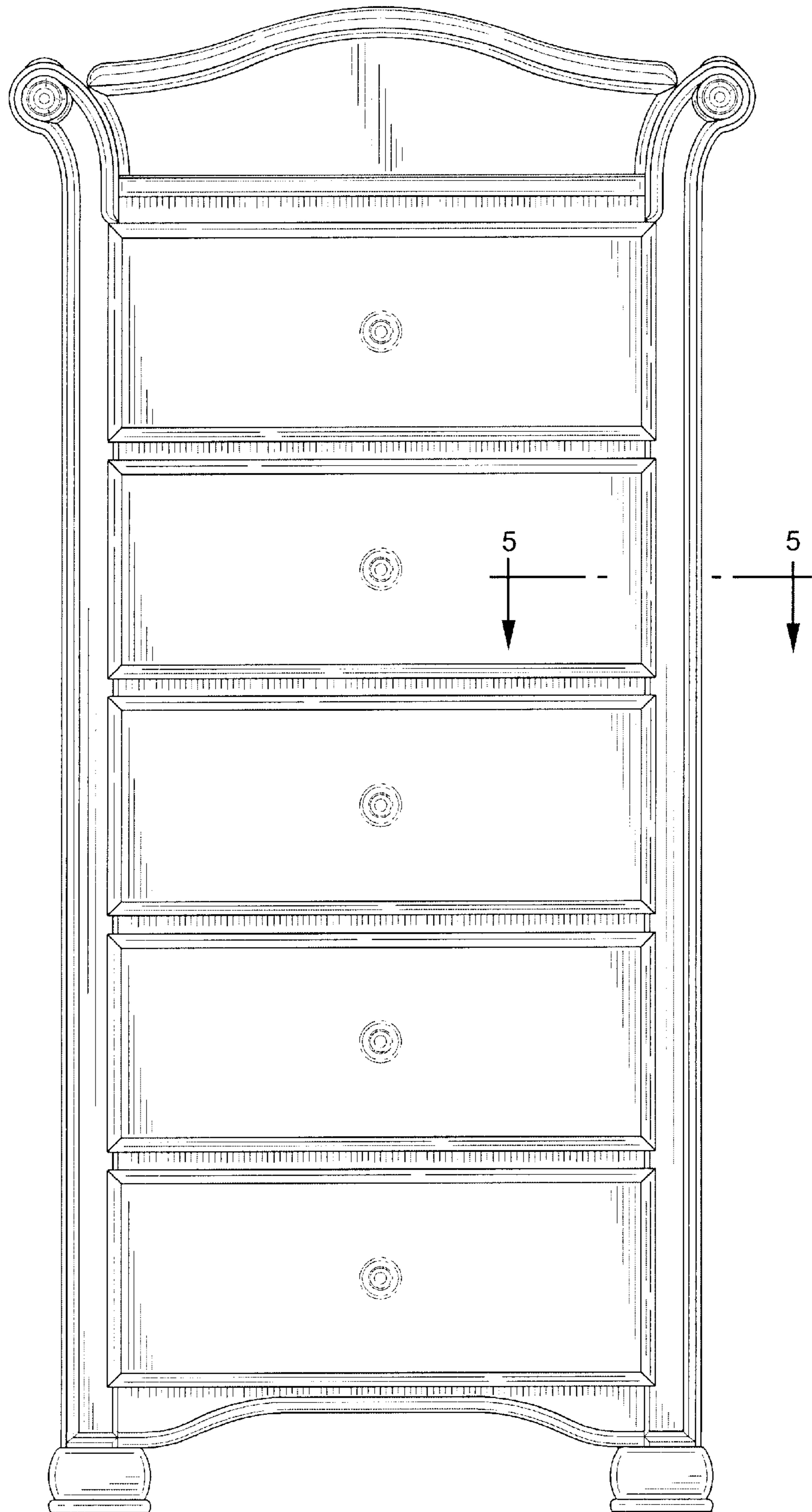


FIG. 4

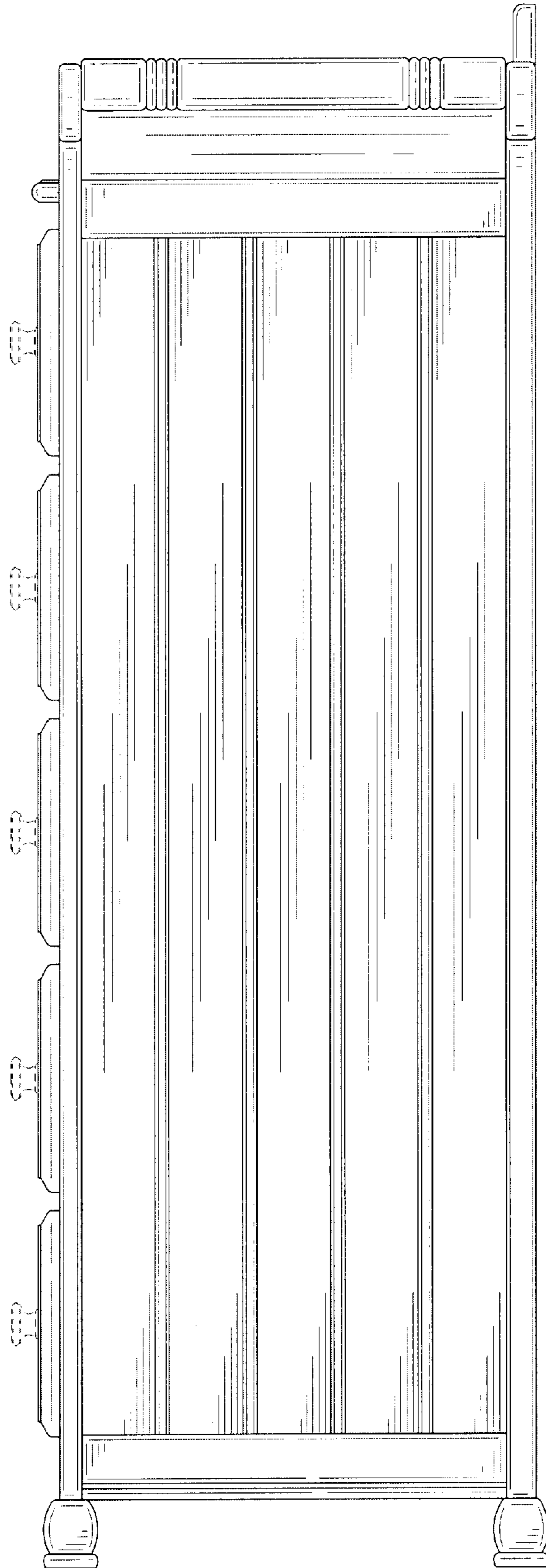


FIG. 5

