



US00D471735S

(12) **United States Design Patent**
Draheim et al.

(10) **Patent No.:** **US D471,735 S**

(45) **Date of Patent:** **** Mar. 18, 2003**

(54) **CHEST OF DRAWERS**

D444,963 S 7/2001 Draheim et al.
D446,666 S 8/2001 Draheim et al.
D447,647 S 9/2001 Draheim et al.

(75) Inventors: **Harvey J. Draheim**, Weyauwega, WI (US); **Scott A. Krueger**, Appleton, WI (US)

OTHER PUBLICATIONS

Simmons Juvenile Products Company Inc. catalog, "Toy-box/Decon's Bench Nos. 0320 and 0321" (1996).

* cited by examiner

Primary Examiner—Cathron C. Brooks

(74) *Attorney, Agent, or Firm*—Hoffmann & Baron, LLP

(73) Assignee: **Simmons Juvenile Products Company, Inc.**, New London, WI (US)

(**) Term: **14 Years**

(21) Appl. No.: **29/159,198**

(22) Filed: **Apr. 16, 2002**

(57) **CLAIM**

(51) **LOC (7) Cl.** **06-04**

(52) **U.S. Cl.** **D6/445; D6/436**

(58) **Field of Search** D6/432-448; 312/138.1, 312/196, 204, 224, 238, 278, 279, 291, 114, 194, 348.4

The ornamental design for a chest of drawers, as shown and described.

DESCRIPTION

(56) **References Cited**

U.S. PATENT DOCUMENTS

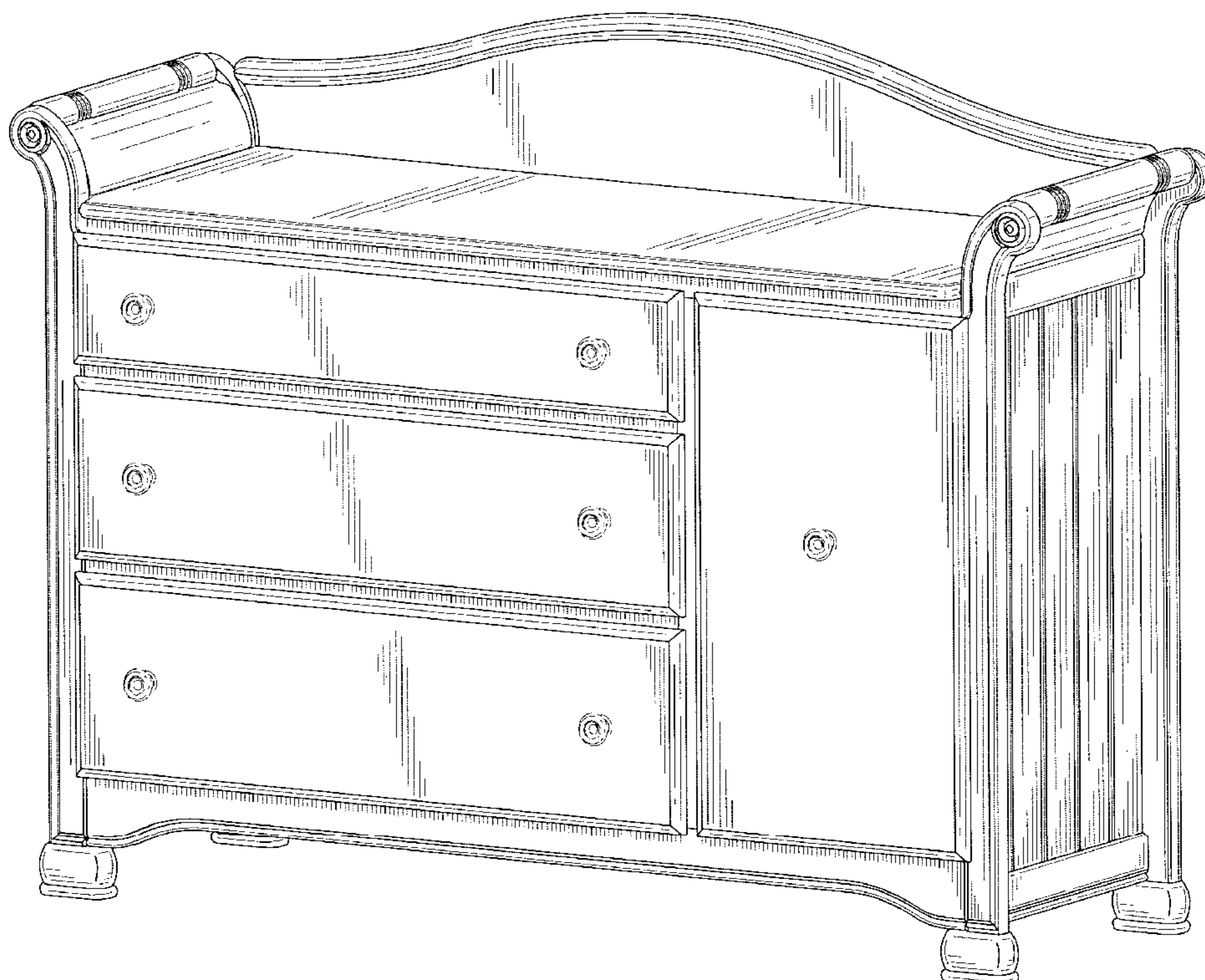
D222,888 S	*	1/1972	Lax	D6/445
D235,705 S	*	7/1975	Pierson	D6/390
D373,490 S	*	9/1996	Tabbia	D6/445
D381,223 S		7/1997	Brunner et al.		
D416,720 S		11/1999	Draheim et al.		
D426,729 S	*	6/2000	Draheim et al.	D6/479
D432,814 S		10/2000	Draheim et al.		
D444,004 S		6/2001	Draheim et al.		
D444,648 S		7/2001	Draheim et al.		
D444,961 S		7/2001	Draheim et al.		

FIG. 1 is a top perspective view of a chest of drawers showing our new design;
FIG. 2 is a top plan view thereof;
FIG. 3 is a front elevation view thereof;
FIG. 4 is a side elevation view thereof, the opposite side being a mirror image thereof; and,
FIG. 5 is an enlarged sectional view taken along line 5—5 of FIG. 3.

The bottom and rear views (not shown) form no part of the claimed design.

The broken line subject matter is for illustrative purposes only and forms no part of the claimed design.

1 Claim, 5 Drawing Sheets



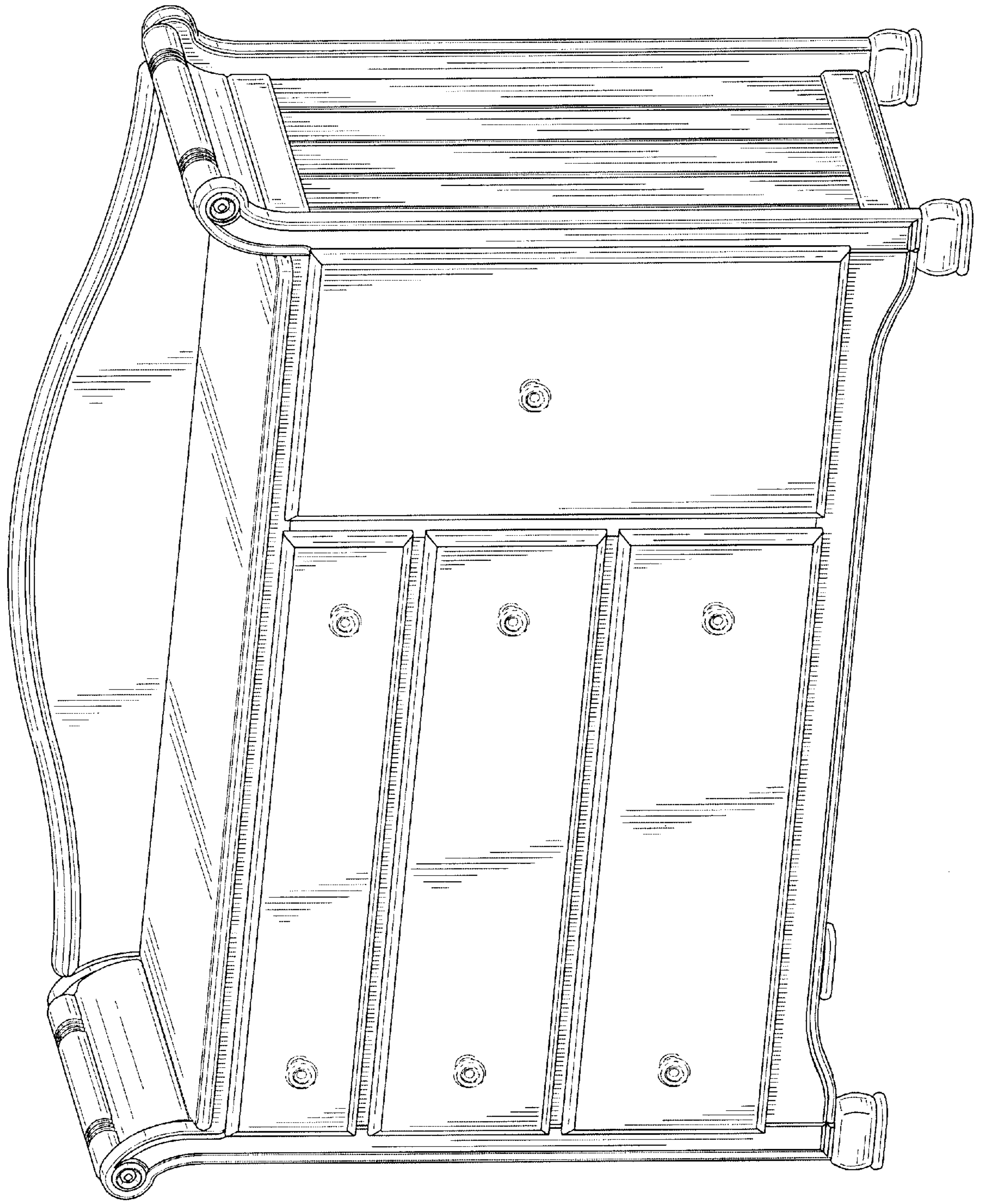


FIG. 1

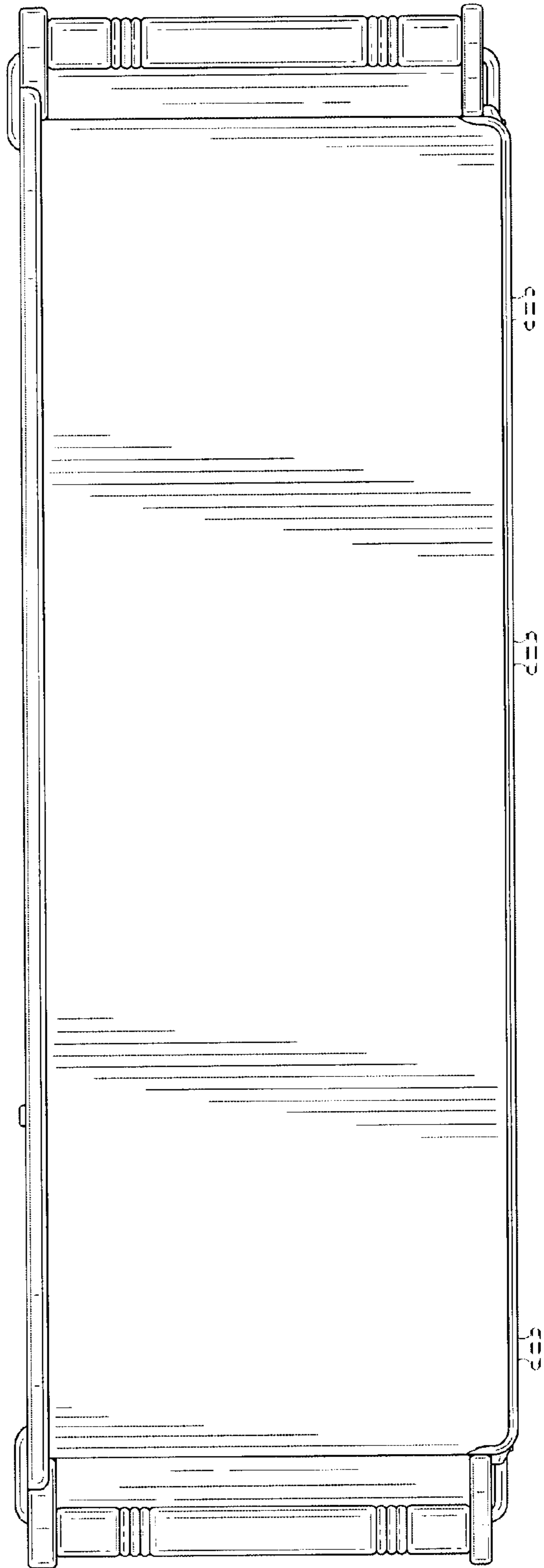


FIG. 2

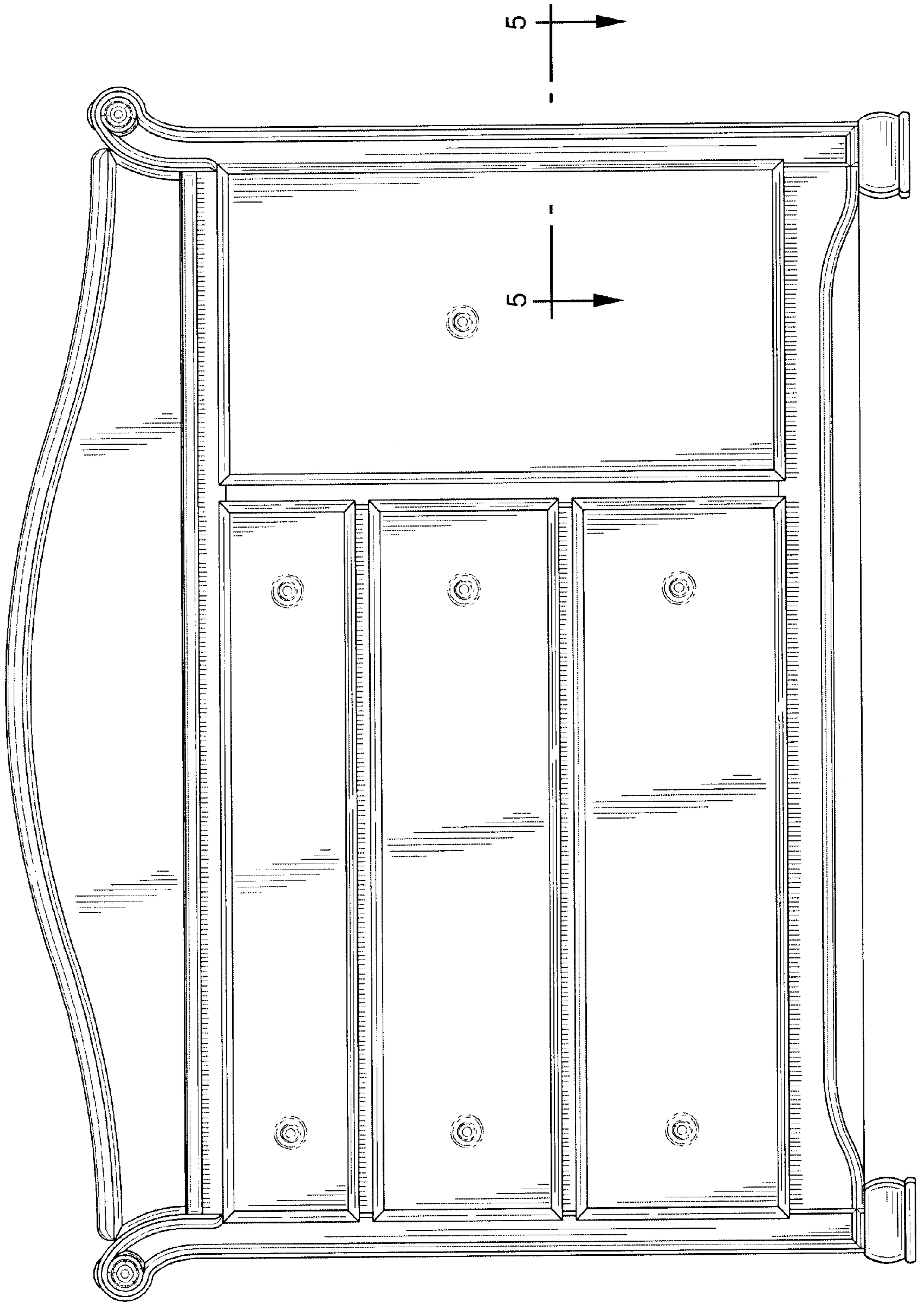


FIG. 3

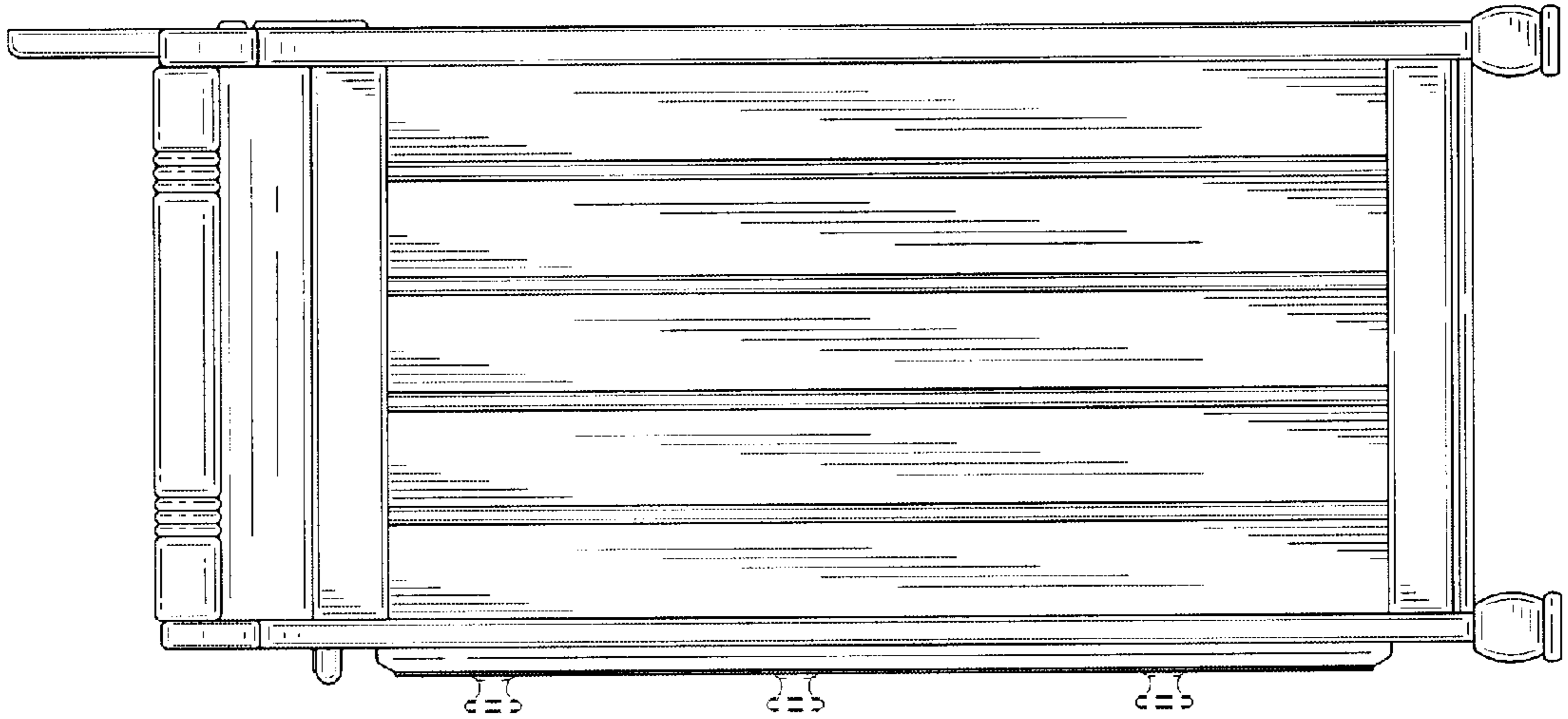


FIG. 4

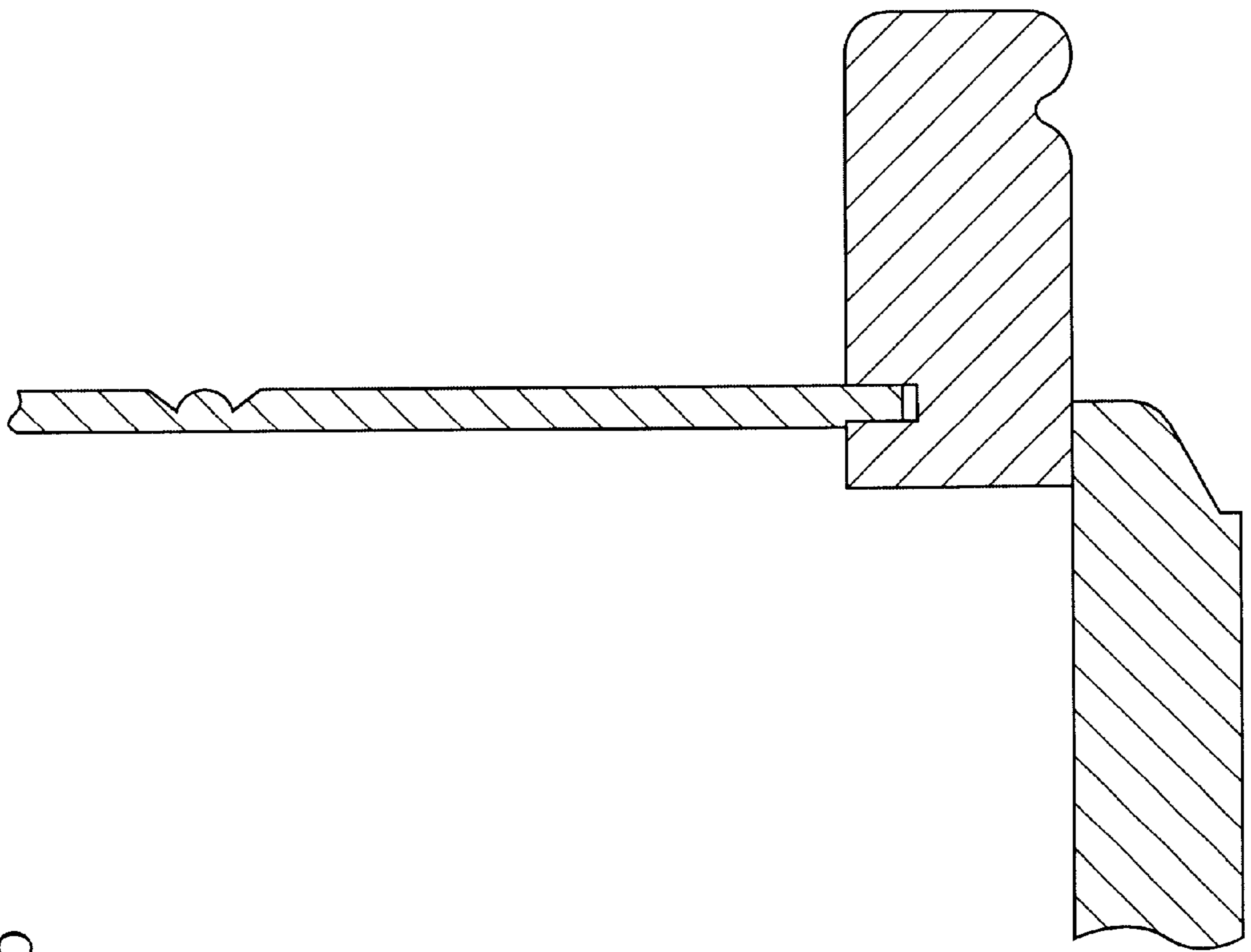


FIG. 5