



US00D471725S

(12) **United States Design Patent**  
**Bodine**

(10) **Patent No.:** **US D471,725 S**

(45) **Date of Patent:** **\*\* Mar. 18, 2003**

(54) **HANGER HOOP**

(76) **Inventor:** **James F. Bodine**, 2051 Harts La.,  
Conshohocken, PA (US) 19428

(\*\*) **Term:** **14 Years**

(21) **Appl. No.:** **29/163,060**

(22) **Filed:** **Jun. 27, 2002**

(51) **LOC (7) Cl.** ..... **06-08**

(52) **U.S. Cl.** ..... **D6/328; D6/315**

(58) **Field of Search** ..... D6/315, 317, 319,  
D6/326, 328, 513; D8/373; D3/315; 294/159;  
211/113, 119, 85.3; 223/85, 88, 91, 96,  
87, DIG. 1

(56) **References Cited**

**U.S. PATENT DOCUMENTS**

D104,301 S	*	4/1937	Woods	.....	223/88
2,594,228 A	*	4/1952	Smith	.....	223/88
2,644,589 A	*	7/1953	Levine	.....	211/119
2,709,005 A	*	5/1955	Eckstein	.....	211/113
D184,686 S	*	3/1959	Rosene	.....	211/113
2,929,509 A	*	3/1960	Van Dusen	.....	211/119
D193,919 S	*	10/1962	Meyer et al.	.....	211/113
3,313,460 A	*	4/1967	Hooker	.....	294/159

D343,122 S	*	1/1994	Harper	.....	D6/315
5,330,244 A	*	7/1994	Rodwell	.....	223/85
6,010,105 A	*	1/2000	Davis	.....	211/113

\* cited by examiner

*Primary Examiner*—B. J. Bullock

(74) *Attorney, Agent, or Firm*—Nixon & Vanderhye

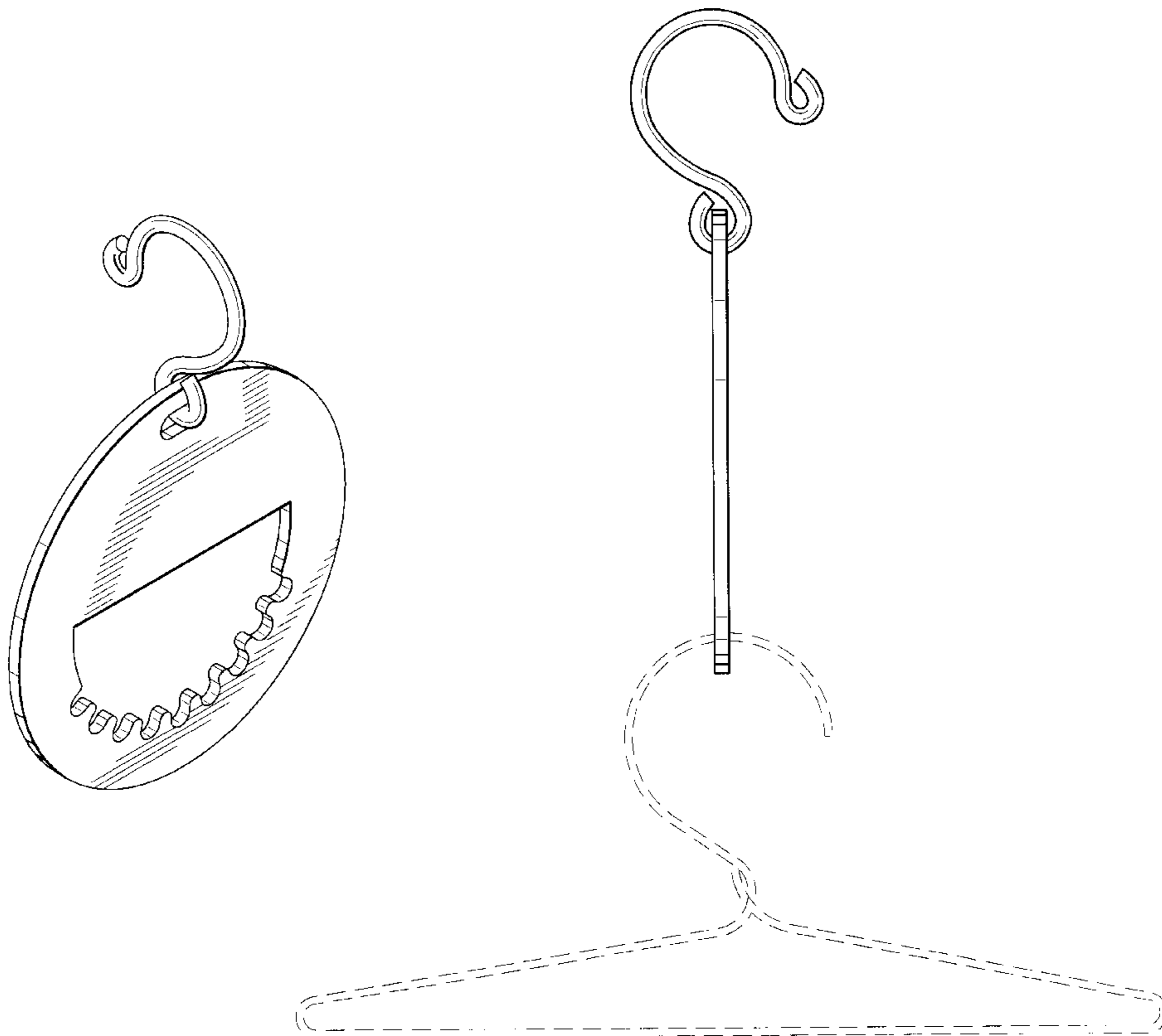
(57) **CLAIM**

The ornamental design for a “hanger hoop”, as shown and described.

**DESCRIPTION**

FIG. 1 is a top, front and left side perspective view of a hanger hoop according to my design;  
FIG. 2 is a top plan view thereof;  
FIG. 3 is a bottom plan view thereof;  
FIG. 4 is a front elevational view thereof;  
FIG. 5 is a rear elevational view thereof; and,  
FIG. 6 is a right side elevational view thereof, the left side being a mirror image thereof. The dashed lines in FIG. 6 illustrate a hanger which forms no part of the present design but which is disclosed to illustrate the environment in which the hanger hoop is used.

**1 Claim, 3 Drawing Sheets**



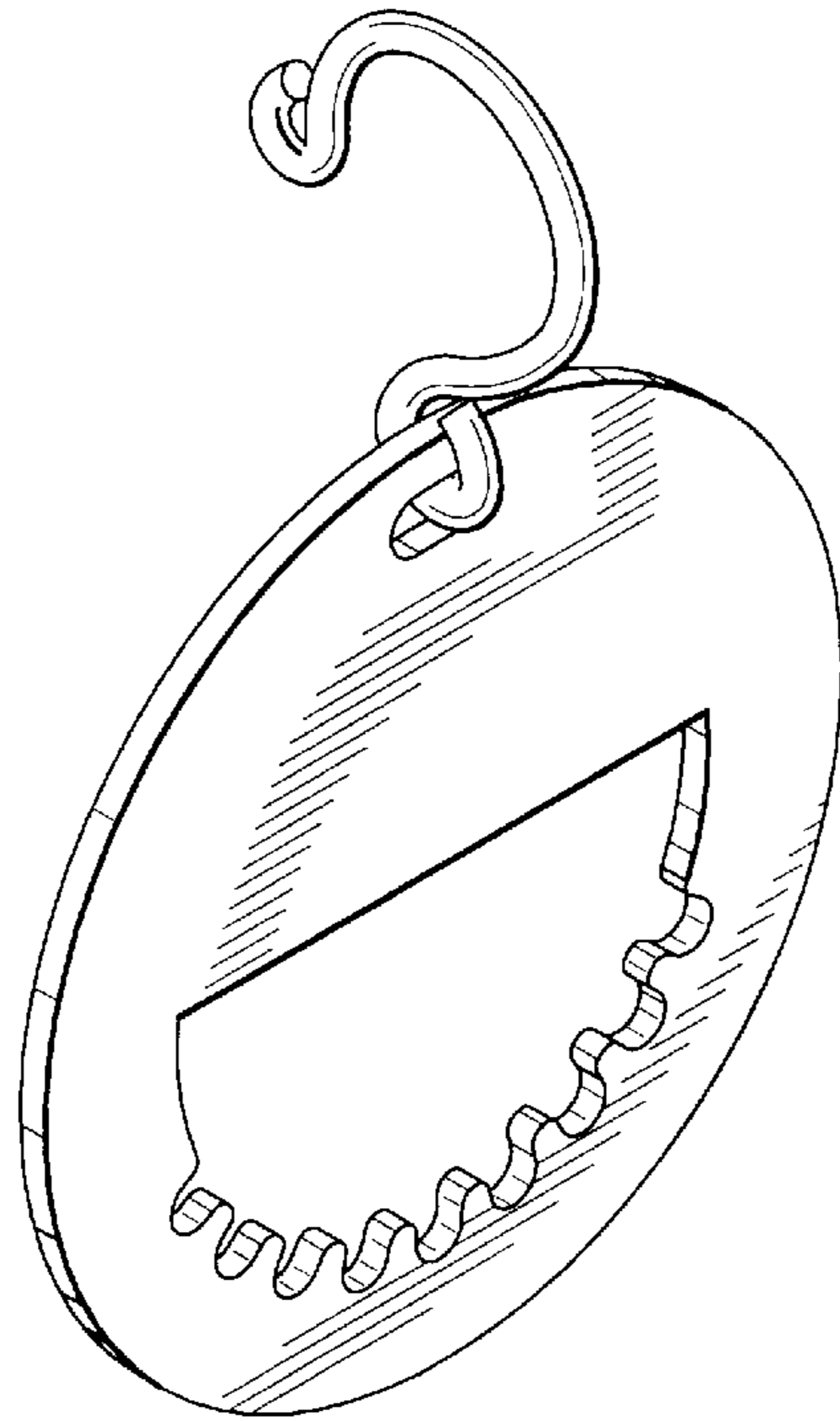


Fig. 1

Fig. 2

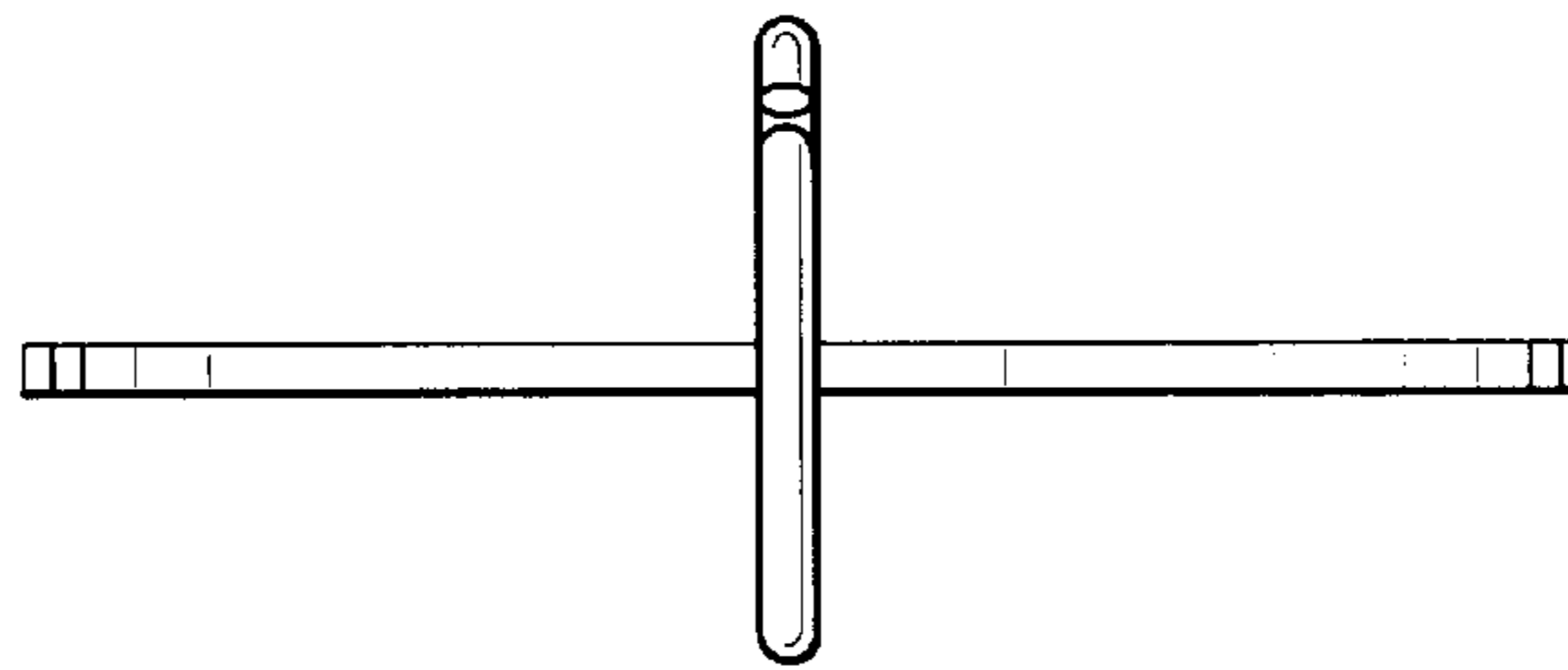
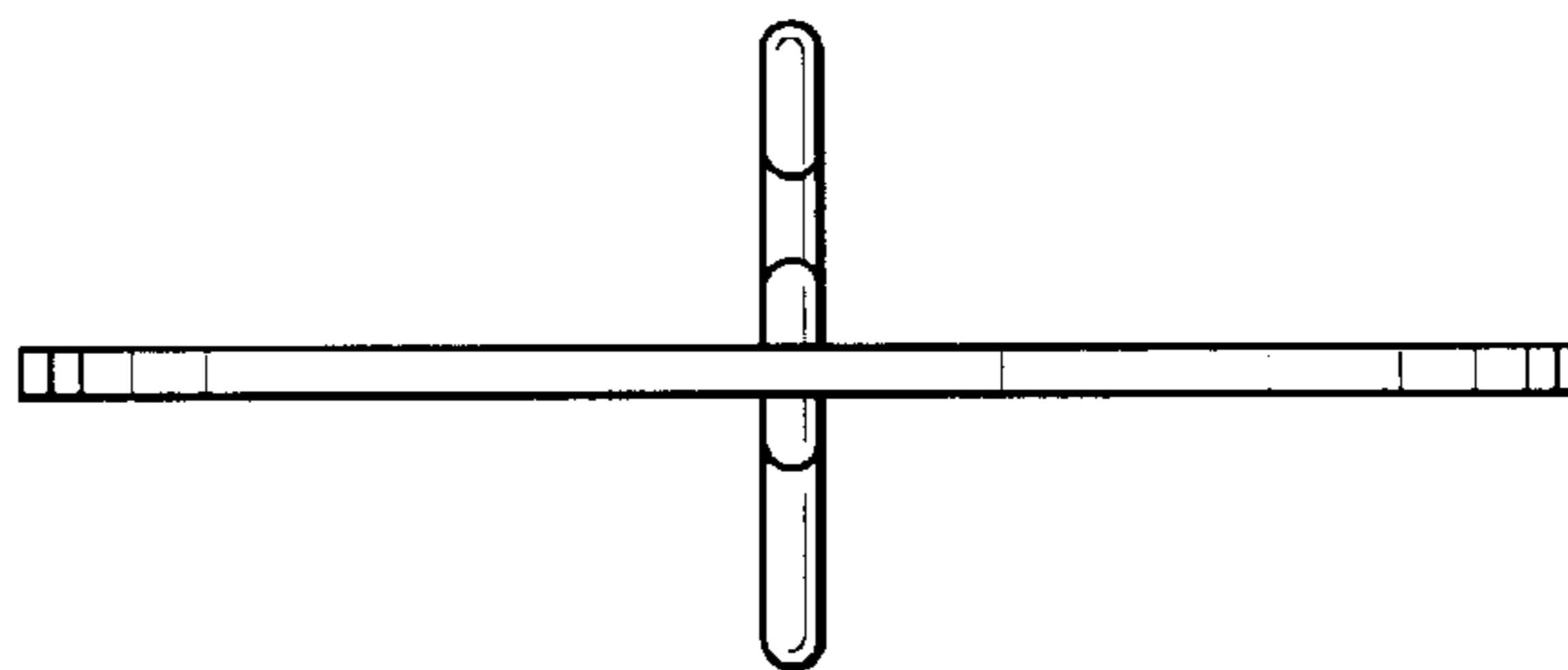


Fig. 3



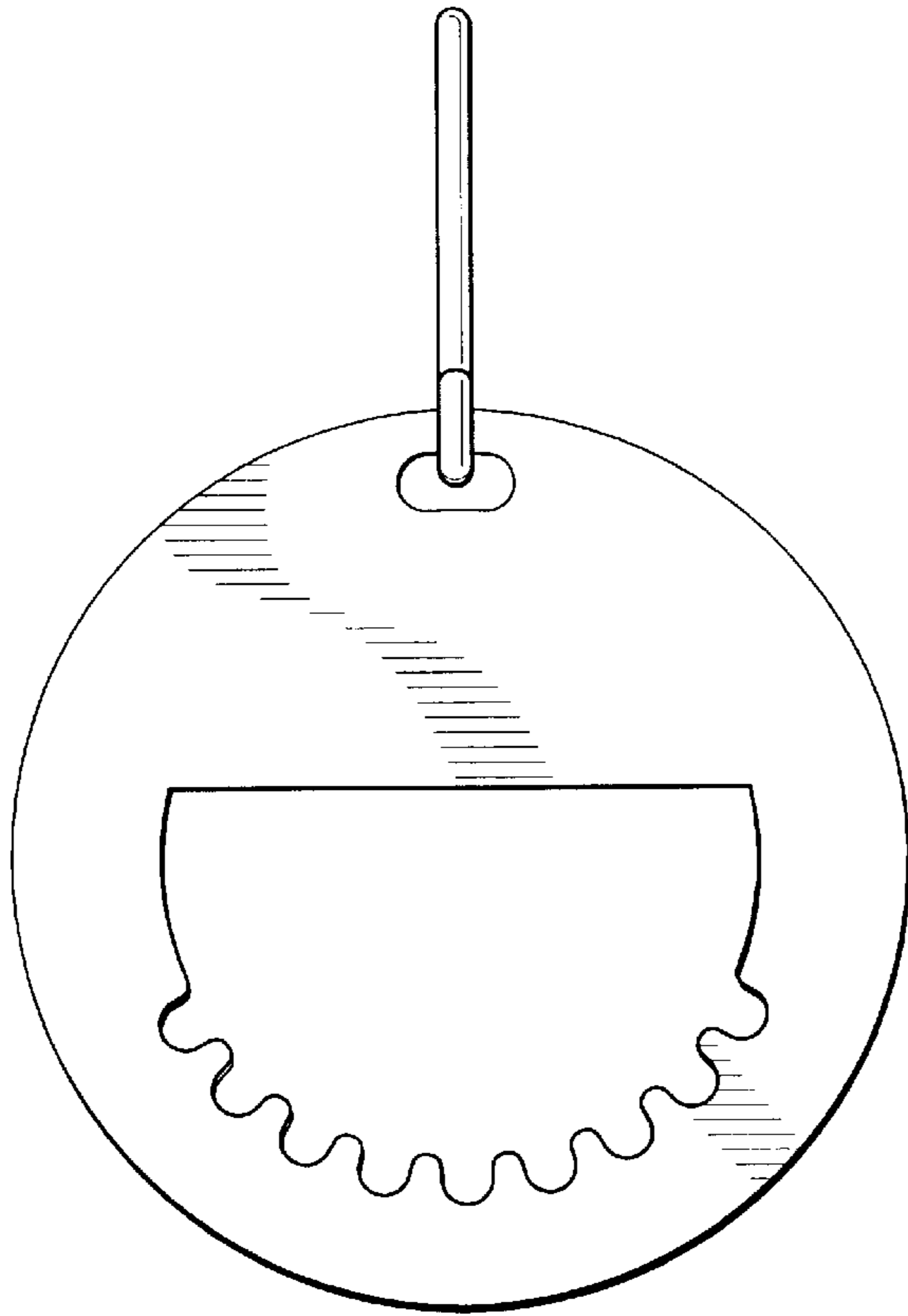


Fig.4

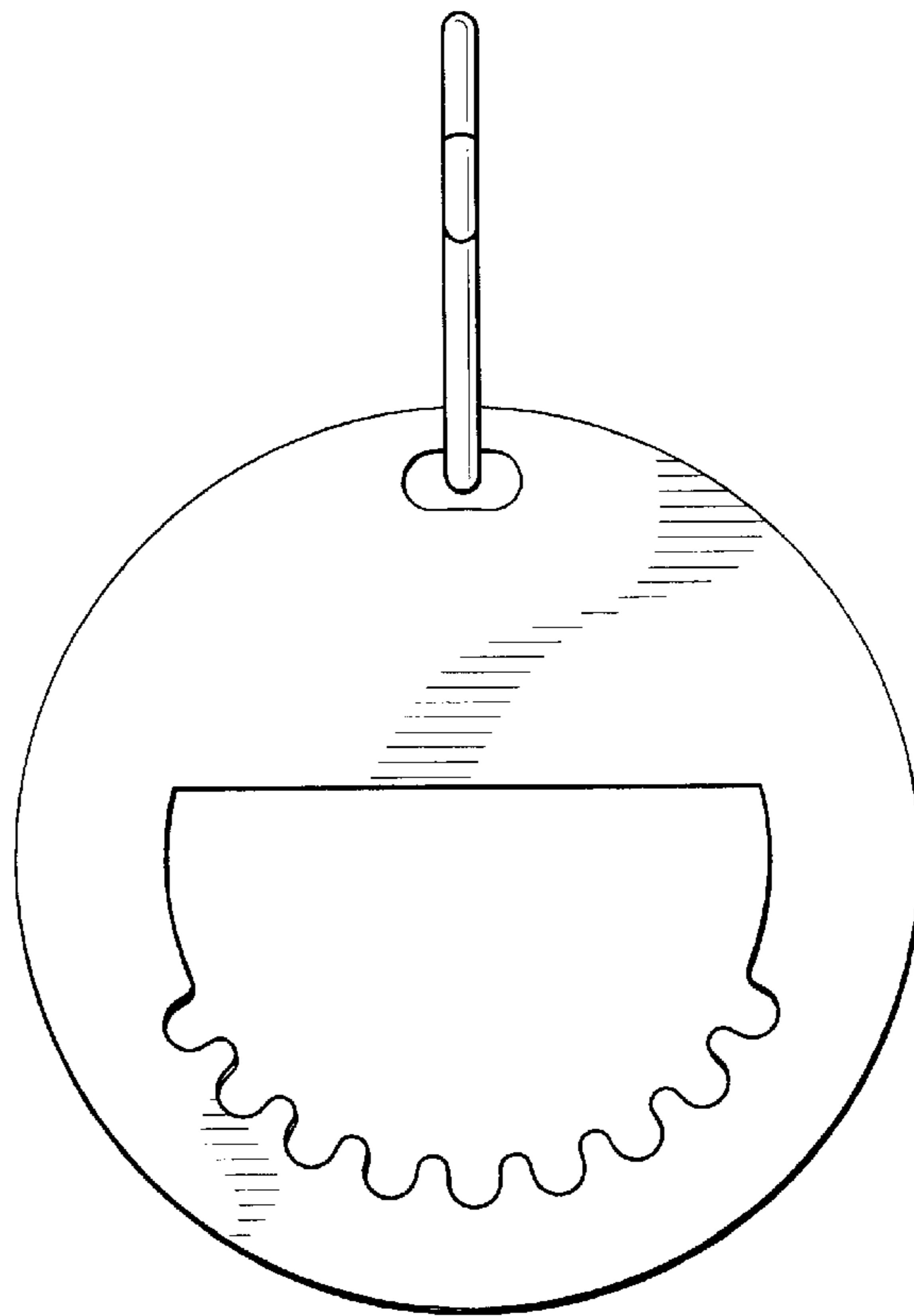


Fig.5

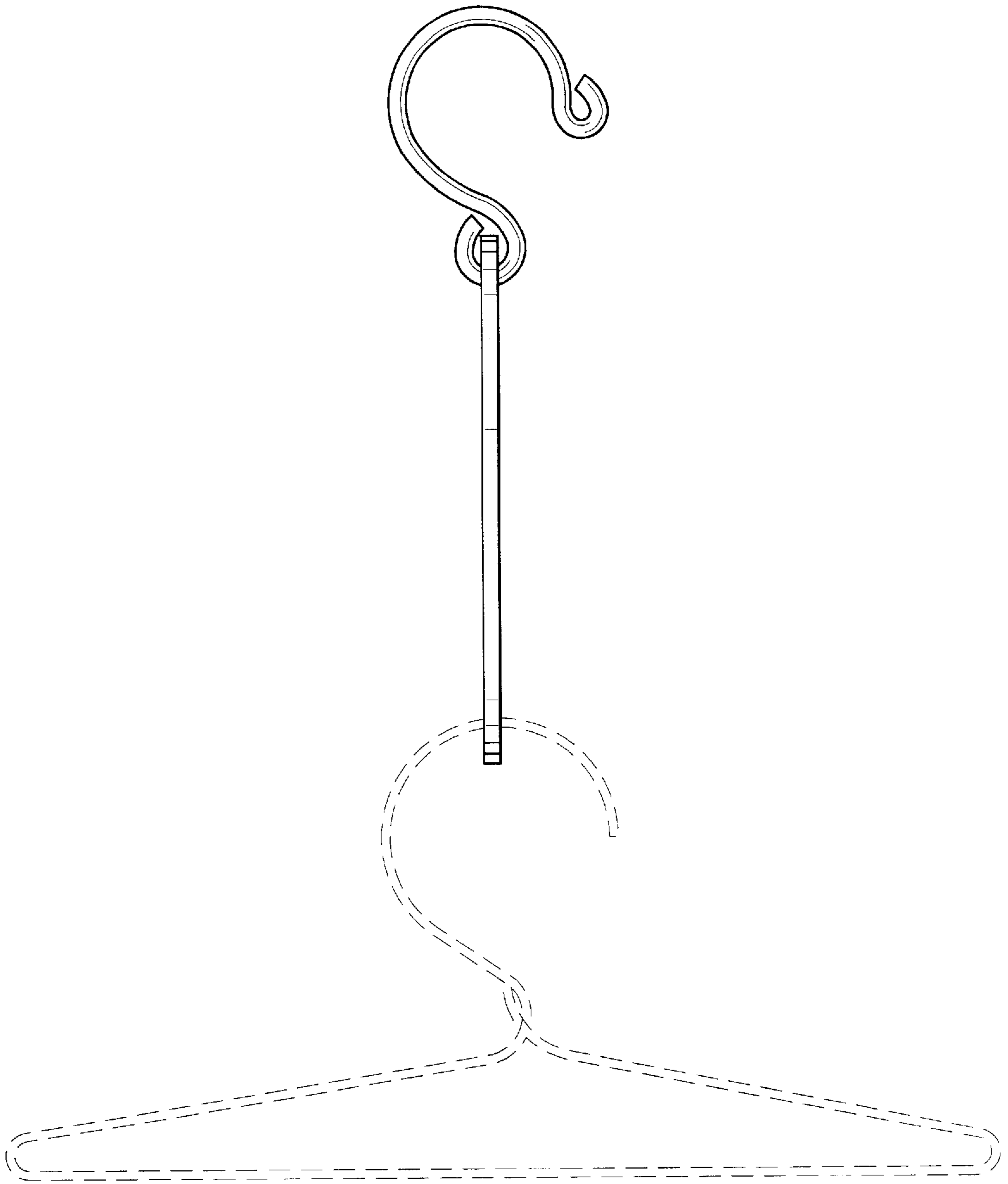


Fig.6