



US00D471716S

(12) **United States Design Patent**
Wolf

(10) **Patent No.:** **US D471,716 S**

(45) **Date of Patent:** **** Mar. 18, 2003**

(54) **JEWELRY BOX LATCH**

(75) Inventor: **Simon Wolf**, Malibu, CA (US)

(73) Assignee: **Wolf Designs, Inc.**, Malibu, CA (US)

(**) Term: **14 Years**

(21) Appl. No.: **29/153,686**

(22) Filed: **Nov. 1, 2001**

(51) **LOC (7) Cl.** **03-99**

(52) **U.S. Cl.** **D3/318**

(58) **Field of Search** D3/318, 323, 324,
D3/273, 394; D8/383; D11/87, 94, 200,
216, 218; D2/627; 150/103, 118, 120; 24/323,
327, 599.1, 606, 616, 618, 656

(56) **References Cited**

U.S. PATENT DOCUMENTS

1,892,281	A	*	12/1932	Kestenman	D11/94
2,001,216	A	*	5/1935	Sand	24/327
2,368,543	A	*	1/1945	Hattenrath	24/616
2,453,993	A	*	11/1948	Kreisler	24/327
4,093,271	A	*	6/1978	Weigl et al.	24/616 X
D383,000	S	*	9/1997	Fendi	D3/318 X

* cited by examiner

Primary Examiner—Louis S. Zarfaz

Assistant Examiner—Monica A. Weingart

(74) *Attorney, Agent, or Firm*—Cislo & Thomas LLP

(57) **CLAIM**

The ornamental design for a jewelry box latch, as shown and described herein.

DESCRIPTION

FIG. 1 is a front perspective view of the jewelry box latch shown with a jewelry box in phantom line for illustrative

purposes only, forming no part of the claimed design, and the jewelry box latch being in the closed position;

FIG. 2 Is a front perspective view of the jewelry box latch shown with a jewelry box in phantom line for illustrative purposes only, forming no part of the claimed design, and the jewelry box latch being in the open position;

FIG. 3 Is a top view of my jewelry box latch;

FIG. 4 Is a bottom view thereof;

FIG. 5 Is a front view thereof;

FIG. 6 is a back view thereof;

FIG. 7 Is a right side elevational view thereof with the left side elevational view being a substantial mirror image thereof;

FIG. 8 is a front perspective view of the alternate embodiment of the jewelry box latch shown with a jewelry box in phantom line for illustrative purposes only, forming no part of the claimed design, and the jewelry box latch being in the closed position;

FIG. 9 is a front perspective view of the alternate embodiment of the jewelry box latch with a jewelry box in phantom line for illustrative purposes only, forming no part of the claimed design, and the jewelry box latch being in the open position;

FIG. 10 Is a top view of the alternate embodiment shown in FIG. 8;

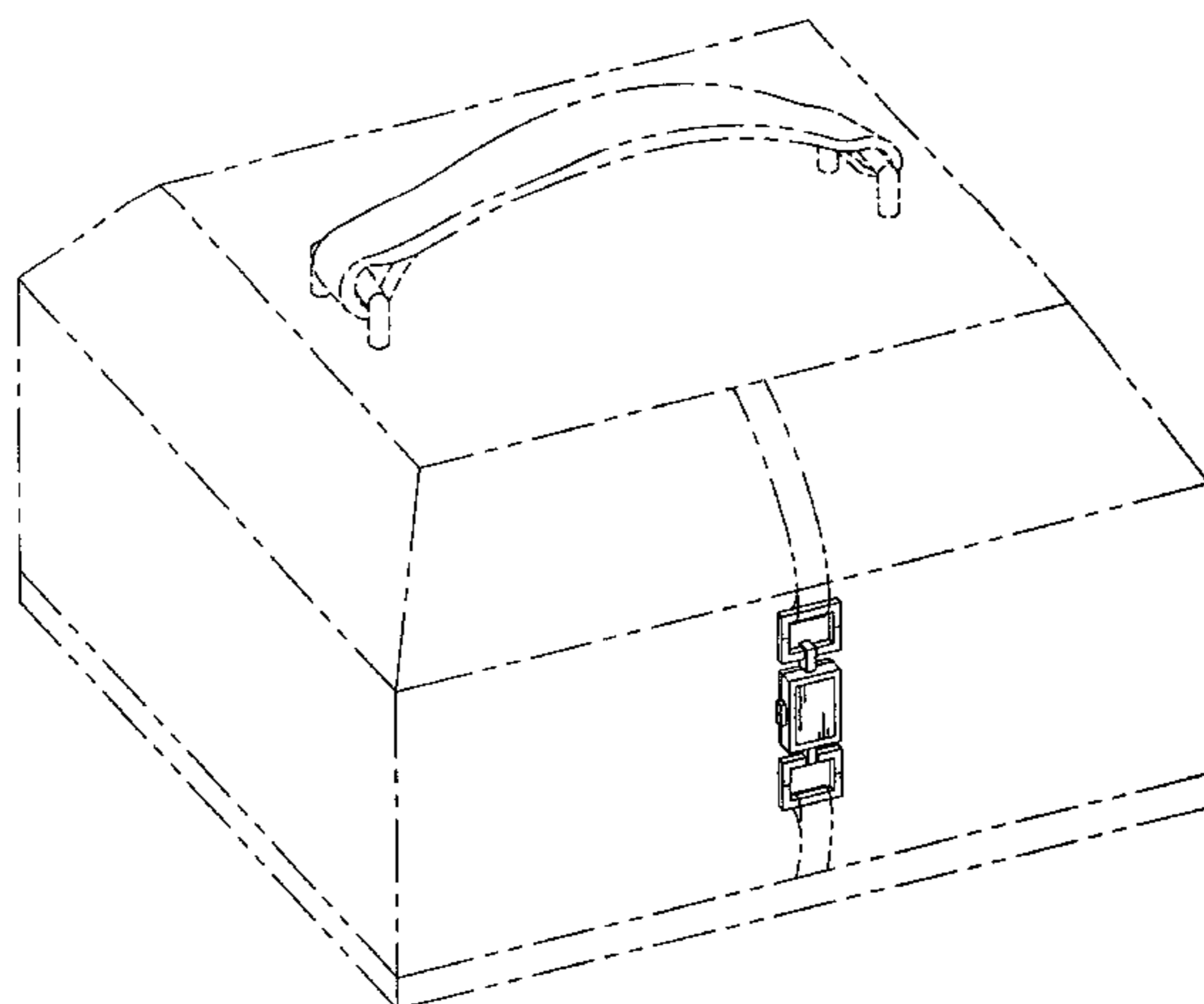
FIG. 11 Is a bottom view of the alternate embodiment in FIG. 8;

FIG. 12 Is a front view of the alternate embodiment shown in FIG. 8;

FIG. 13 Is a back view of the alternate embodiment shown in FIG. 8; and,

FIG. 14 Is a right side elevational view of the alternate embodiment shown in FIG. 8 with the left side elevation view being a substantial mirror image thereof.

1 Claim, 4 Drawing Sheets



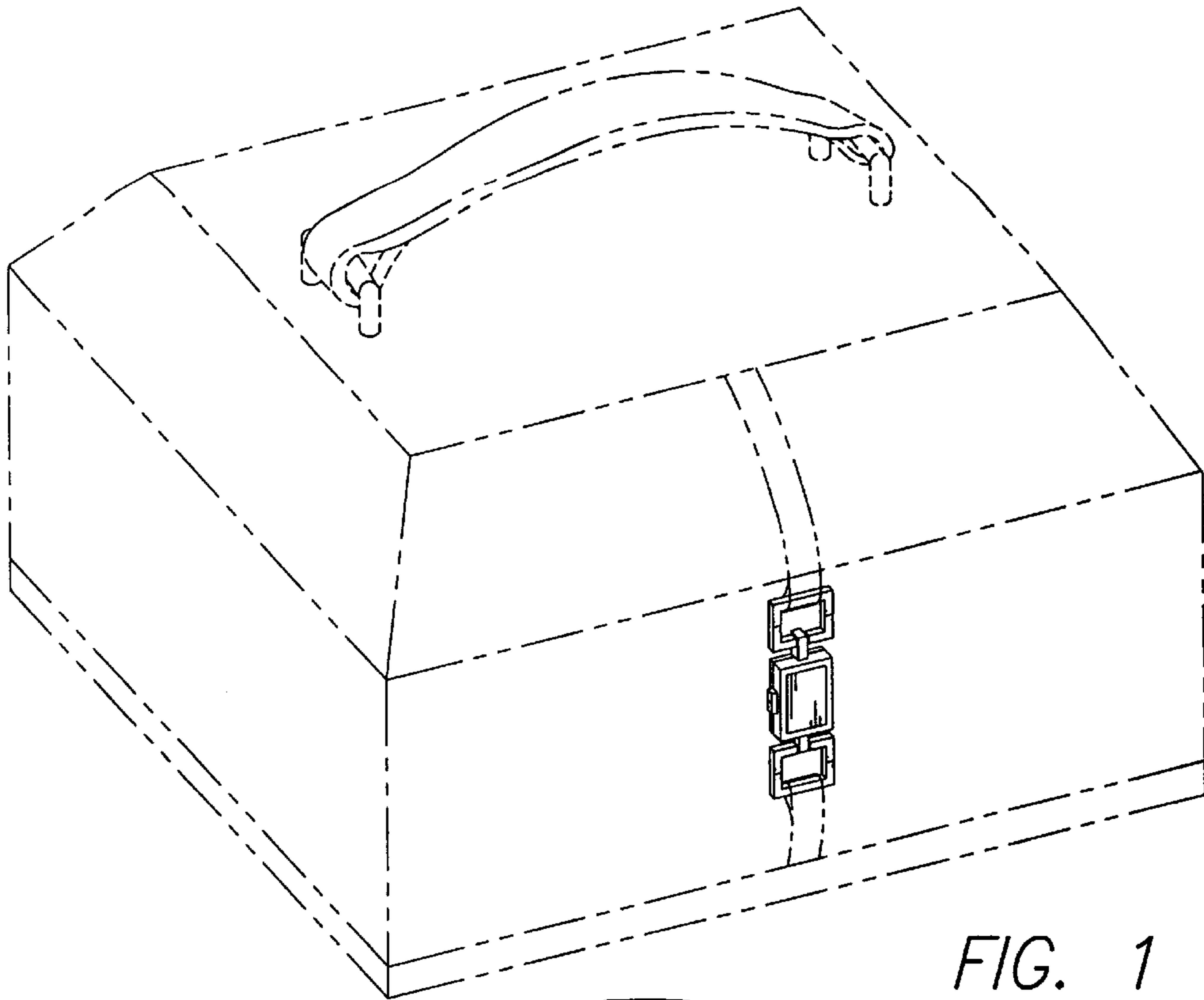


FIG. 1

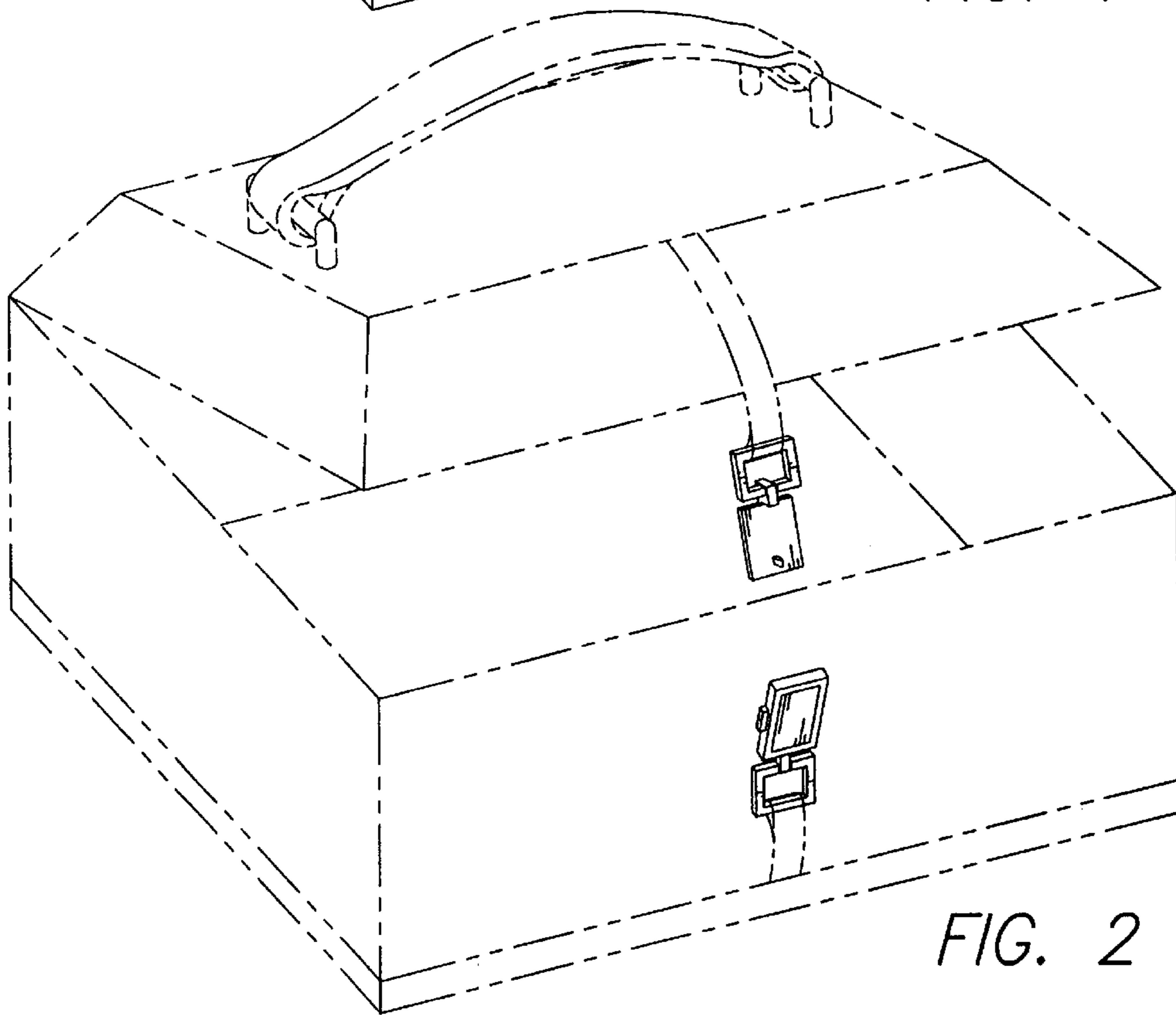


FIG. 2

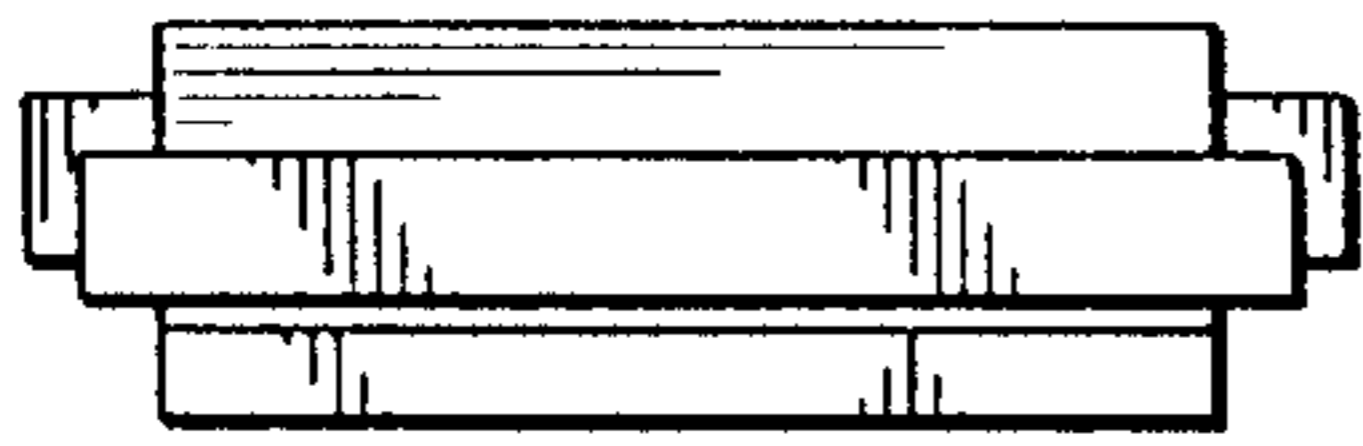


FIG. 3

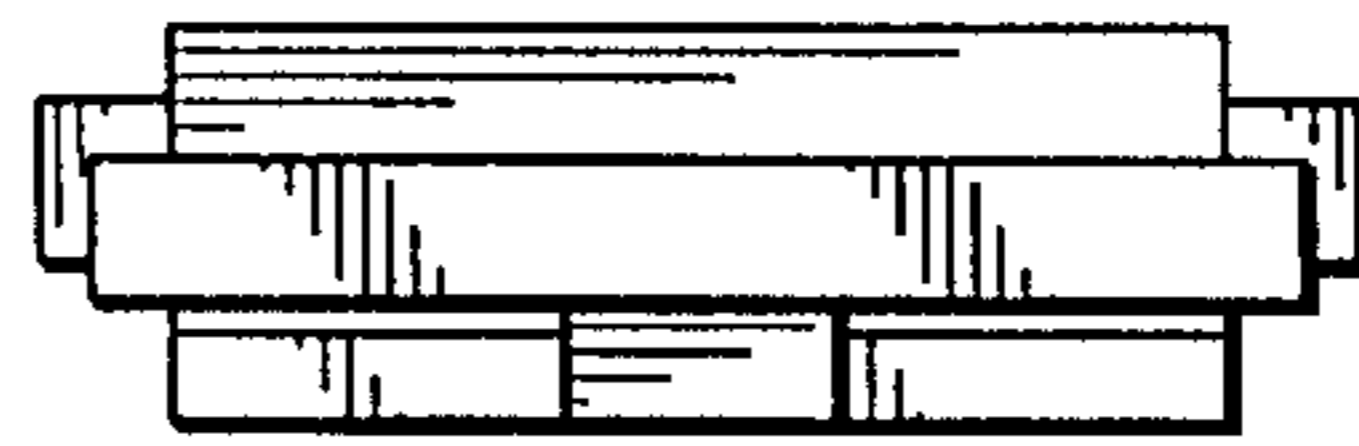


FIG. 4

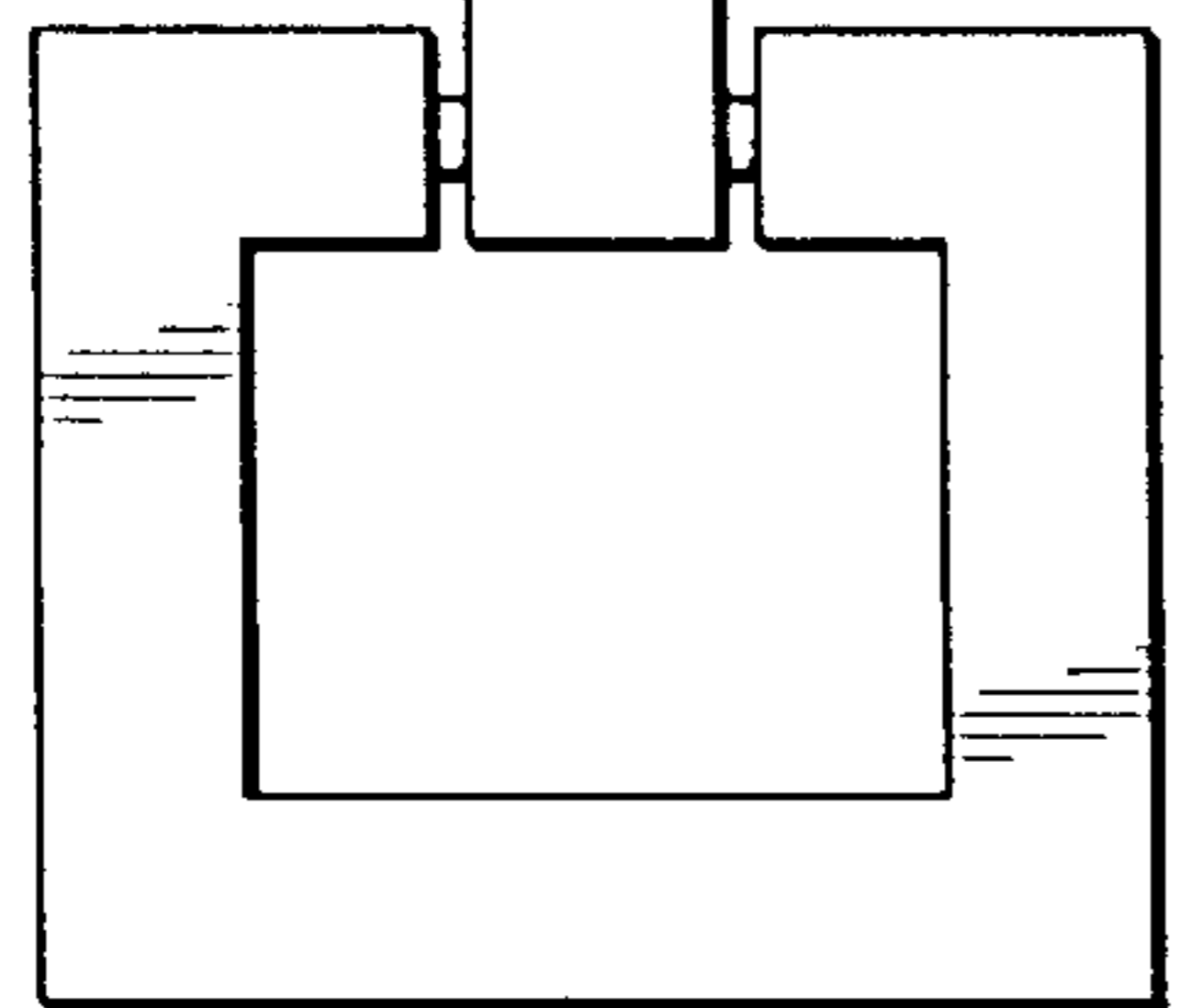
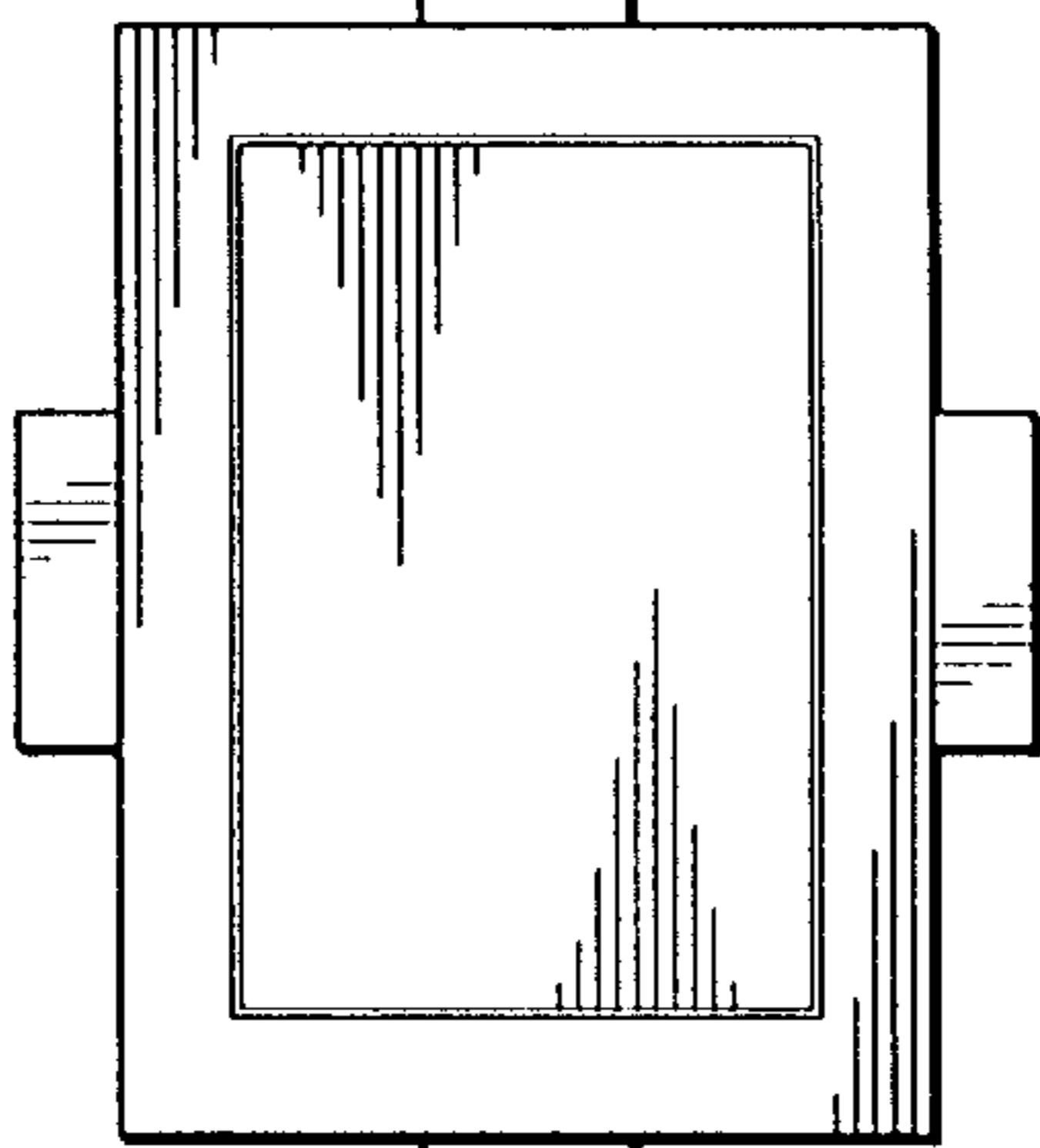
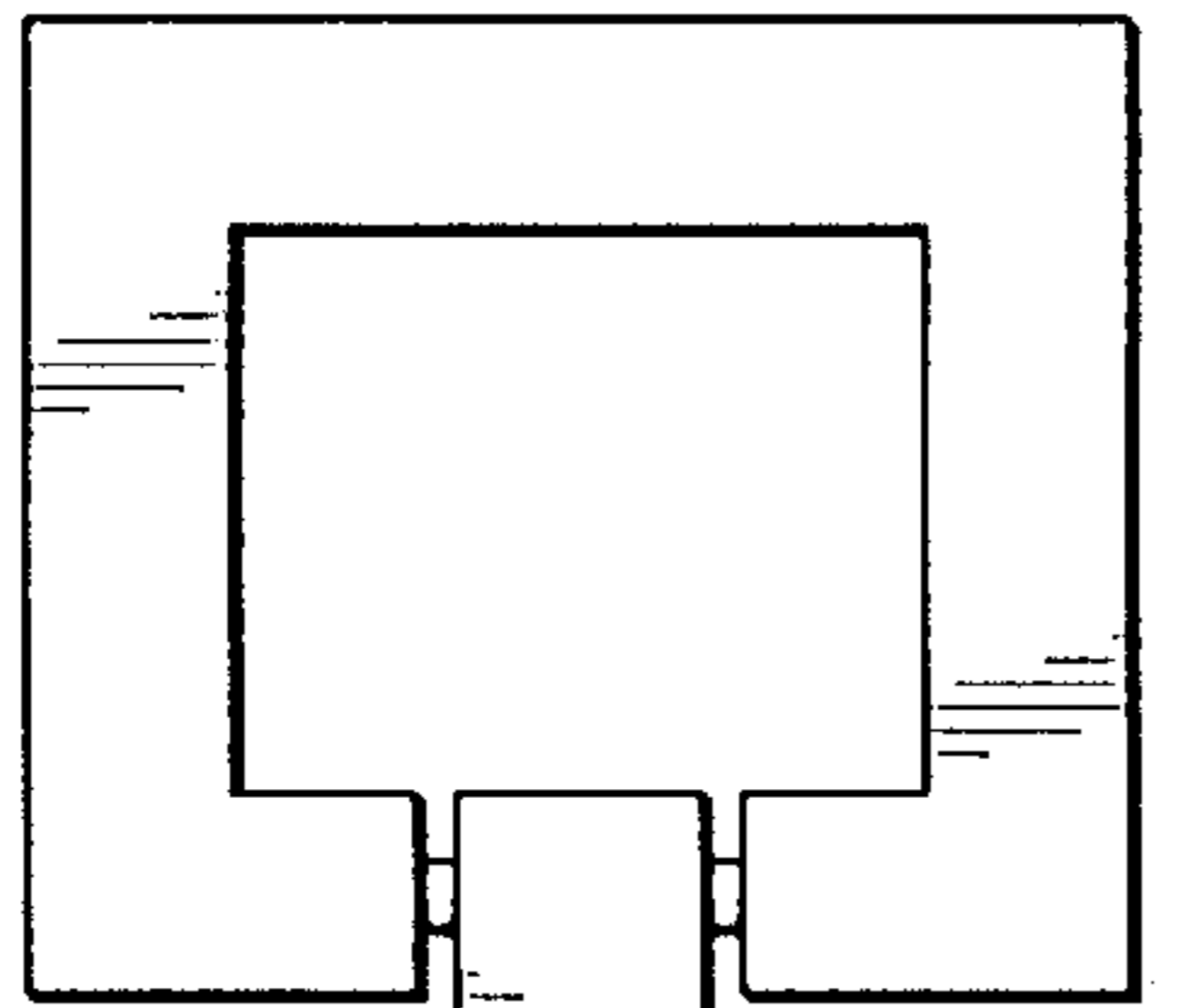


FIG. 5

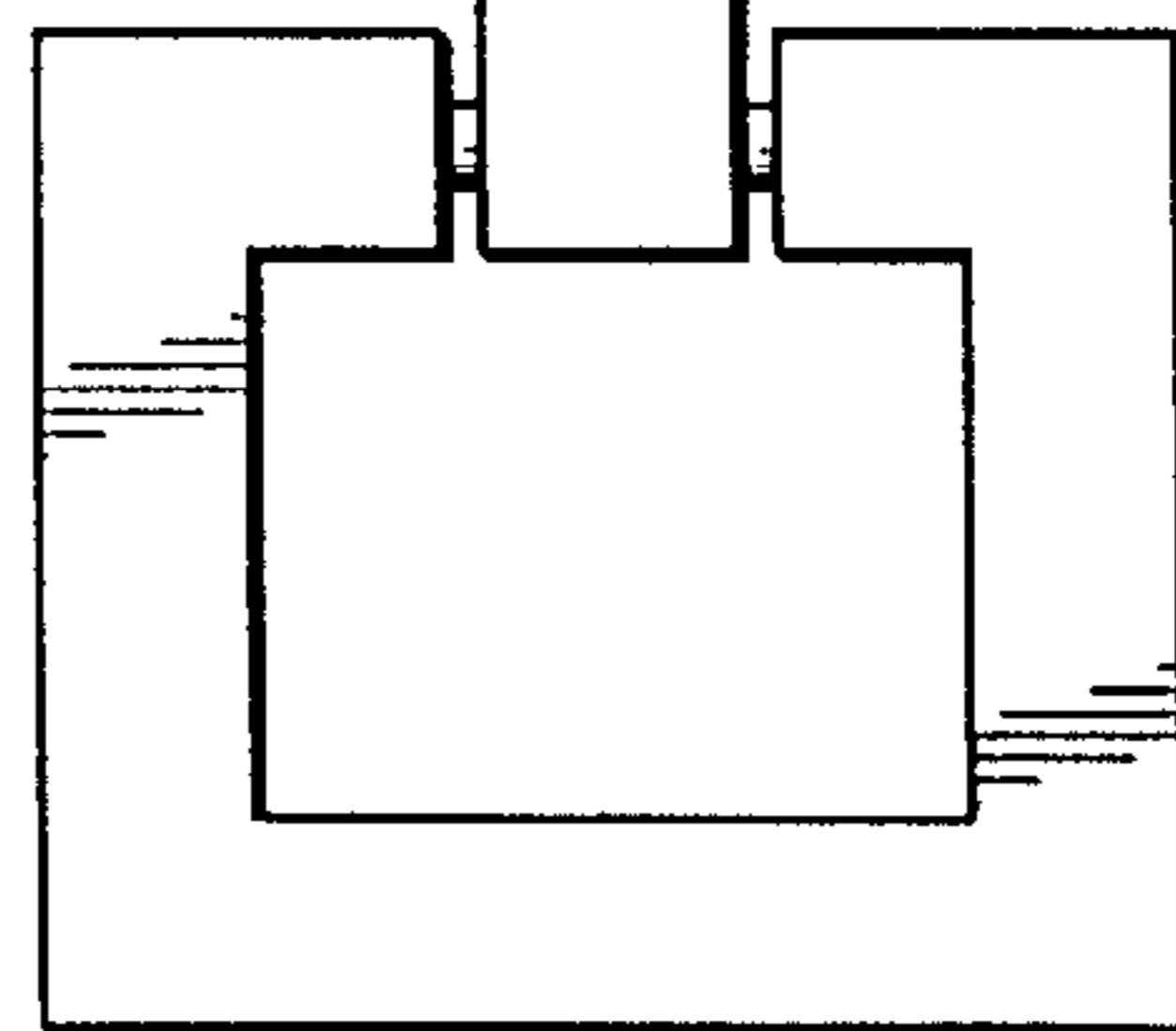
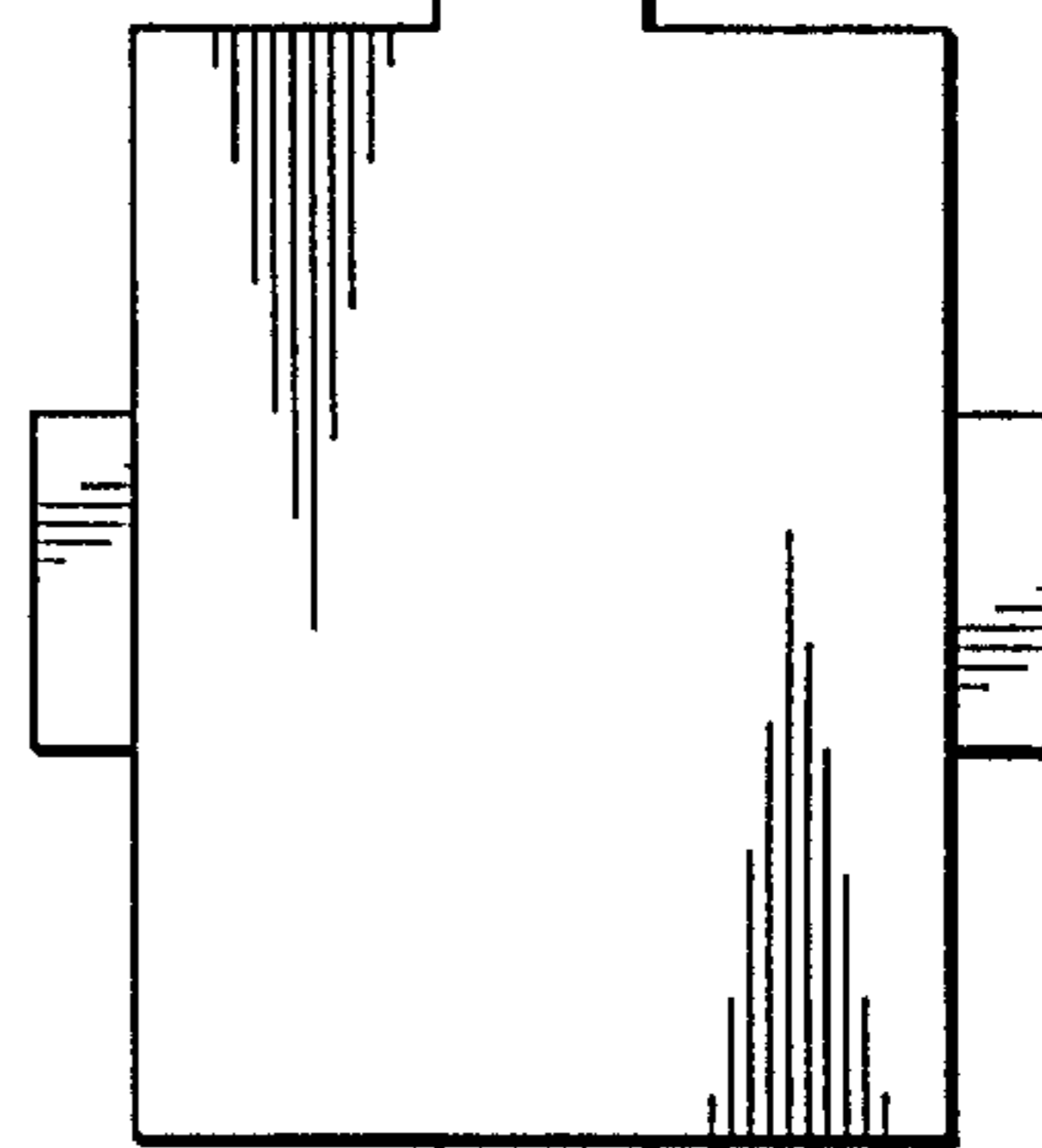
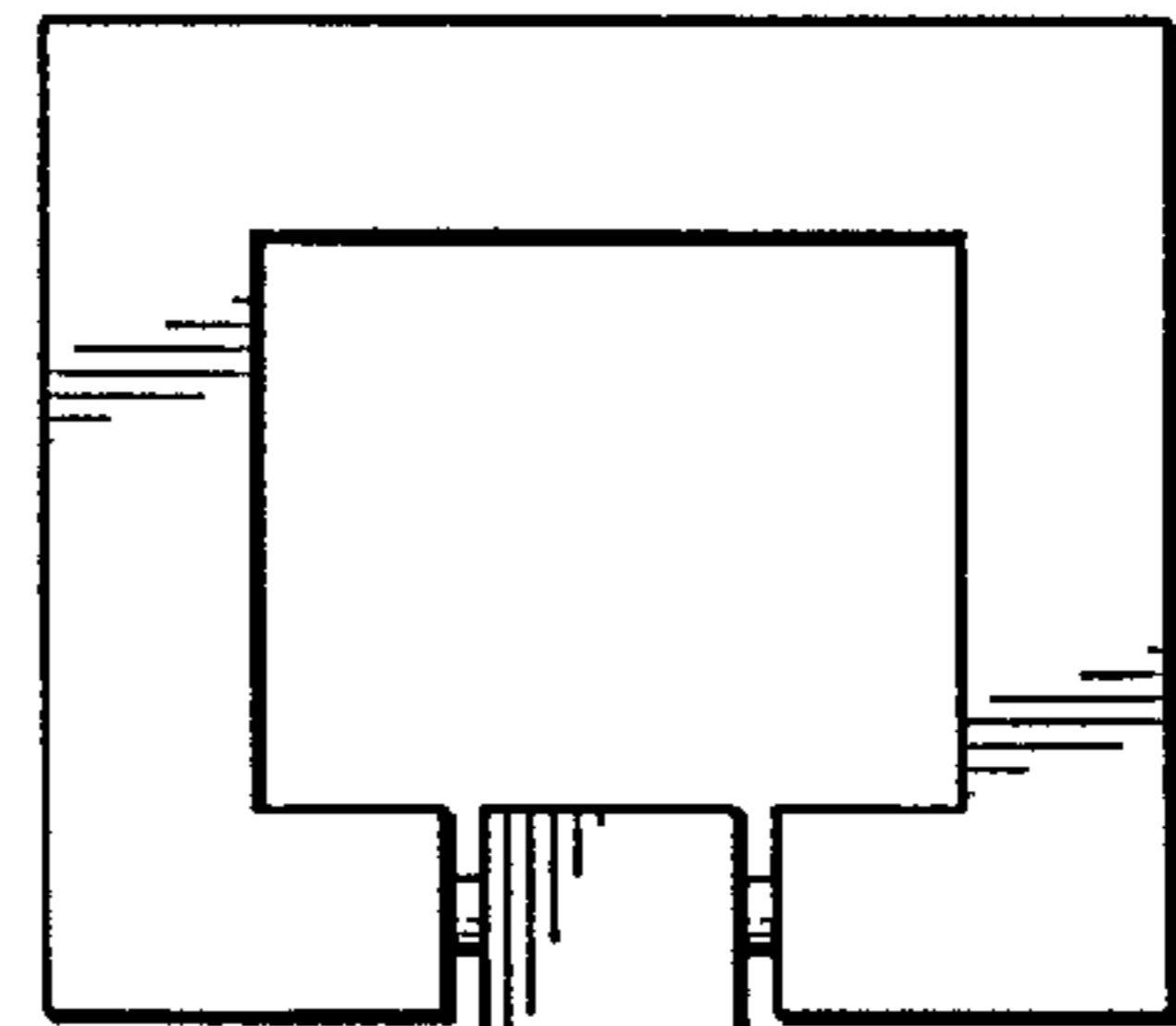


FIG. 6

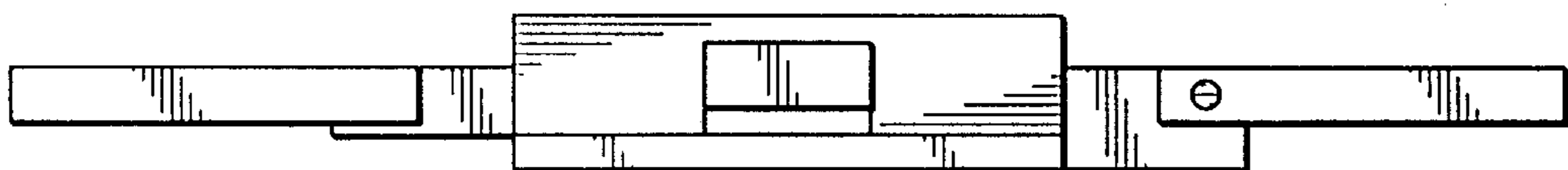


FIG. 7

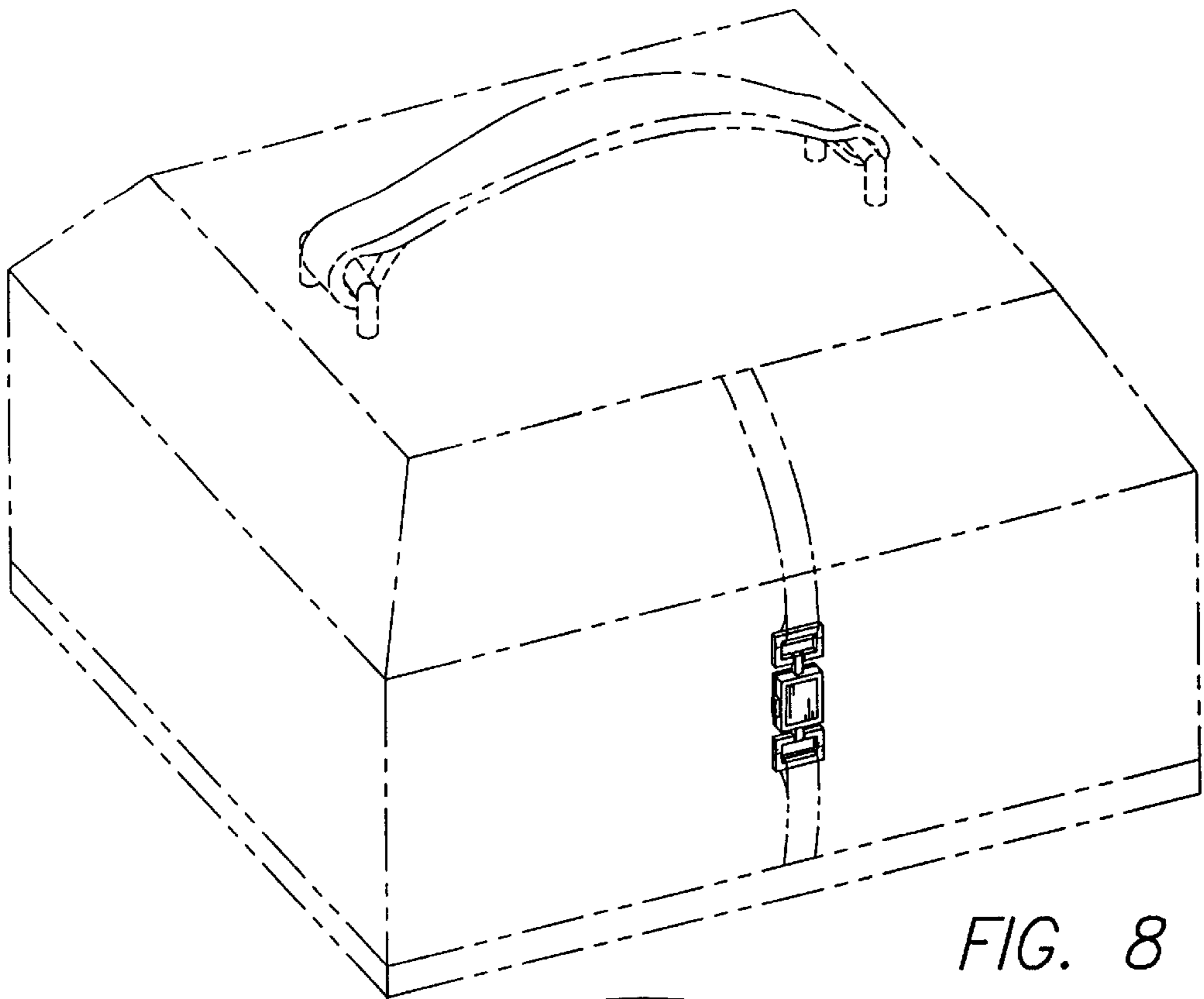


FIG. 8

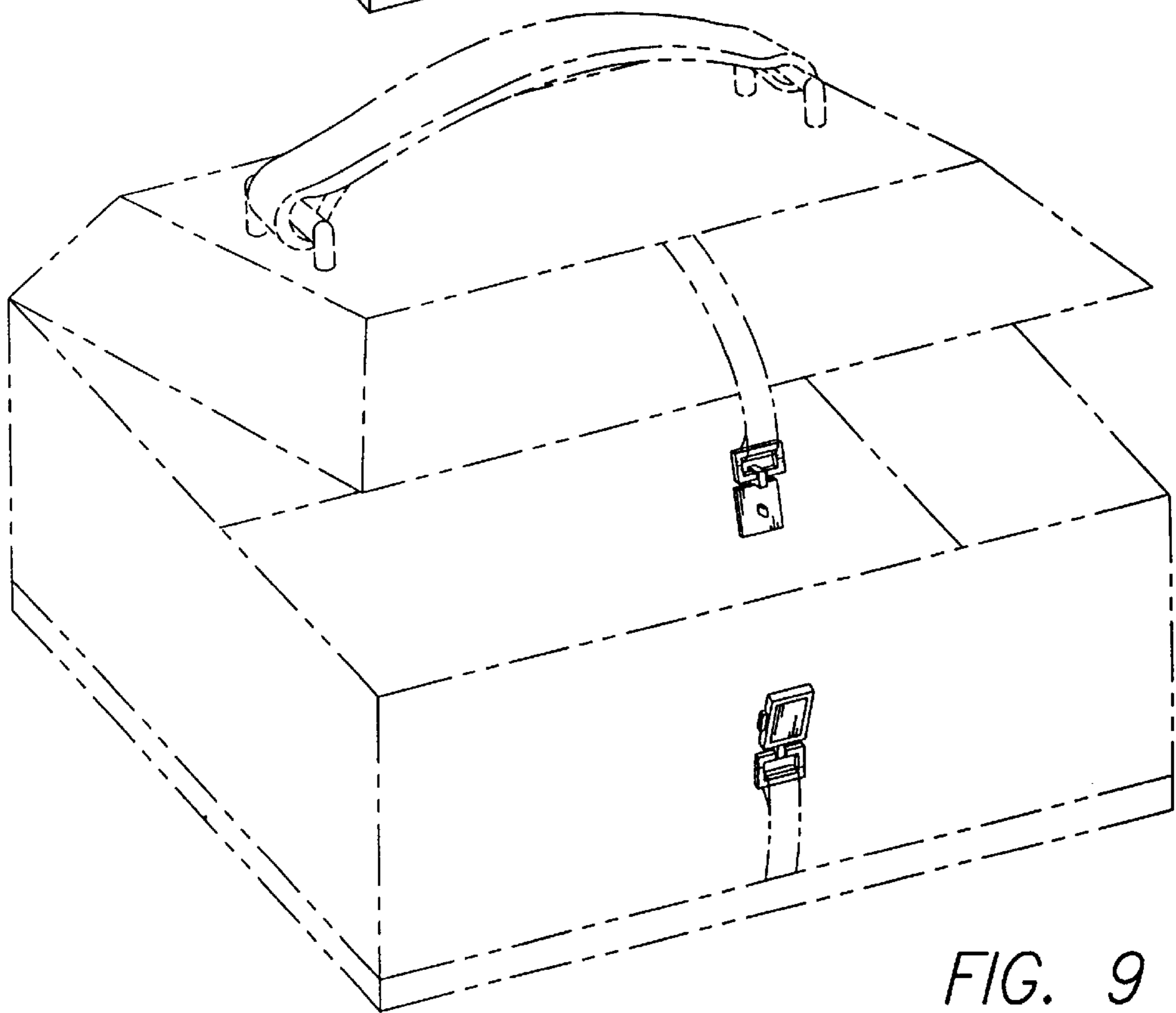


FIG. 9



FIG. 10

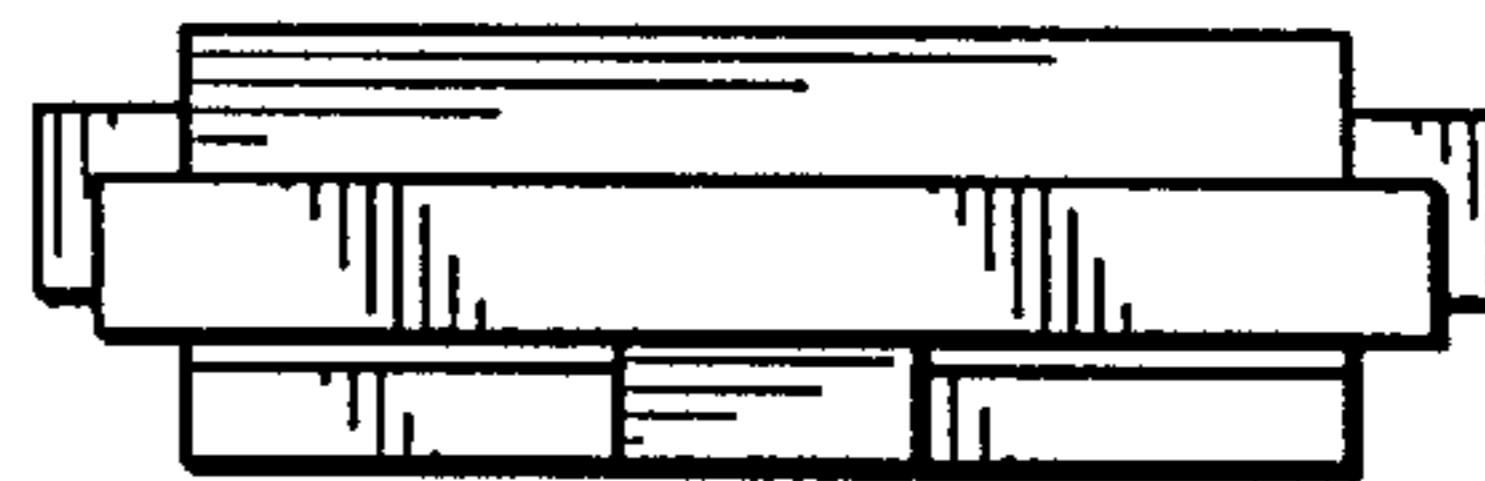


FIG. 11

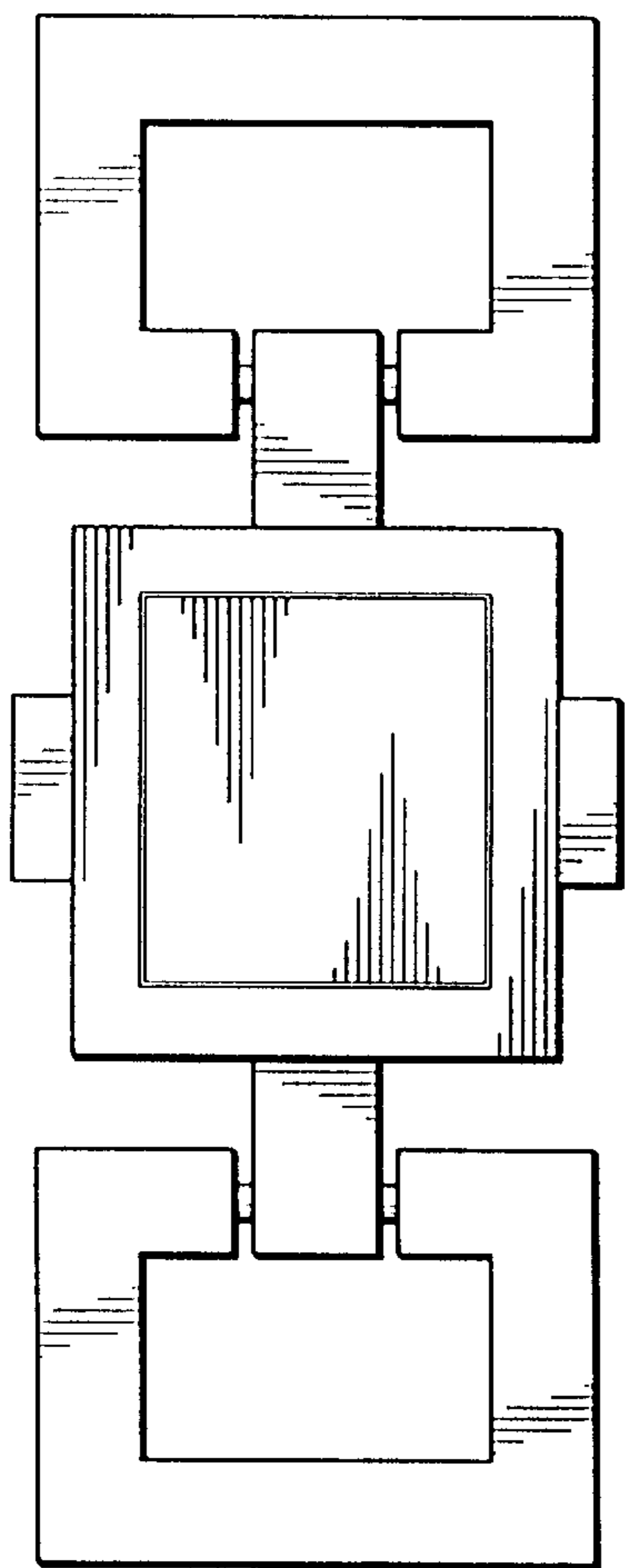


FIG. 12

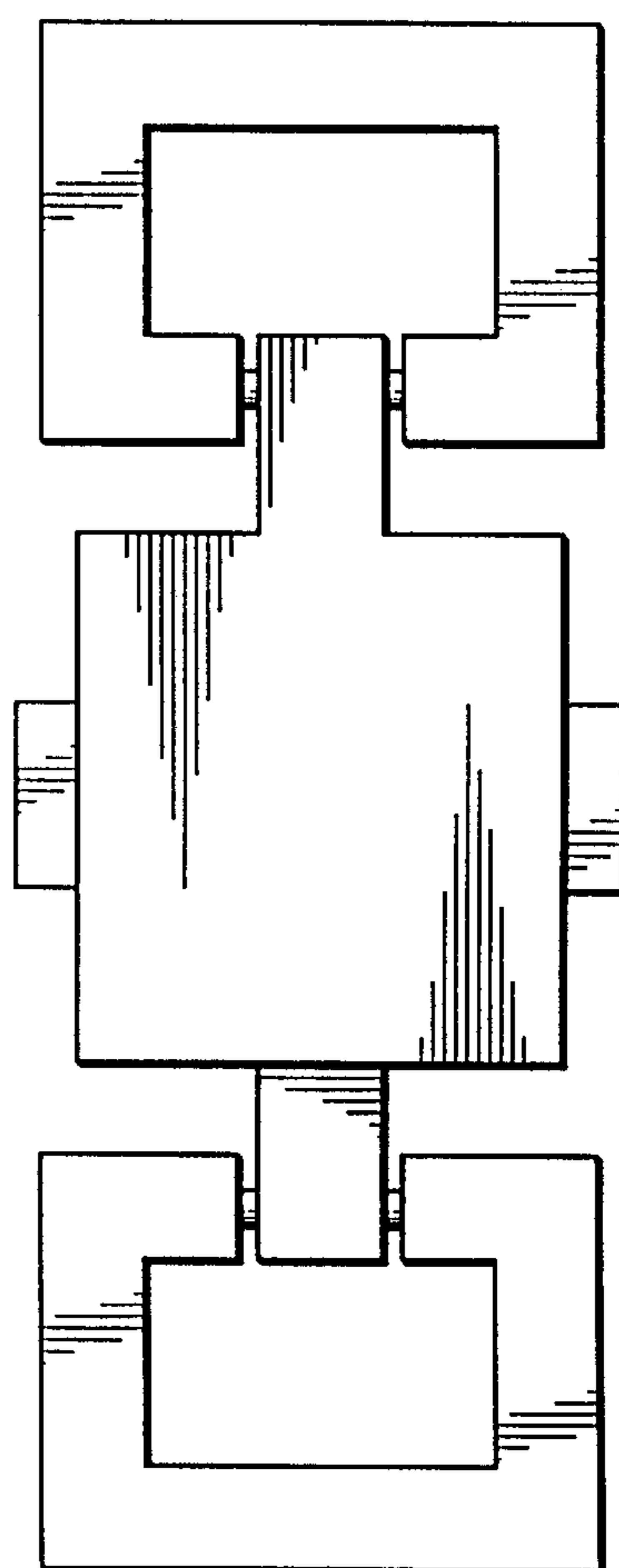


FIG. 13



FIG. 14