



US00D471715S

(12) **United States Design Patent**
Wu

(10) **Patent No.:** **US D471,715 S**

(45) **Date of Patent:** **** Mar. 18, 2003**

(54) **CASE GRIP**

6,186,295 B1 * 2/2001 Lin et al. 190/18 A
6,226,834 B1 * 5/2001 Lu 190/18 A X

(75) Inventor: **Chen-Chuan Wu**, Hsin Chung (TW)

* cited by examiner

(73) Assignee: **Hersun Plastic Co., Ltd.**, Taipei Hsien (TW)

Primary Examiner—Louis S. Zarfes

Assistant Examiner—Robert A. Delehanty

(**) Term: **14 Years**

(74) *Attorney, Agent, or Firm*—Rosenberg, Klein & Lee

(21) Appl. No.: **29/150,226**

(57) **CLAIM**

(22) Filed: **Nov. 15, 2001**

The ornamental design for a case grip, as shown and described.

(51) **LOC (7) Cl.** **03-99**

DESCRIPTION

(52) **U.S. Cl.** **D3/318**

FIG. 1 is a perspective view of a case grip embodying my design.

(58) **Field of Search** D3/318, 321–322,
D3/273, 276, 279, 282, 291; 206/280; 190/18 A,
39, 115

FIG. 2 is a front elevational view thereof;

FIG. 3 is rear elevational view thereof.

FIG. 4 is left elevational view thereof;

FIG. 5 is a right elevational view thereof;

FIG. 6 is a top view thereof; and,

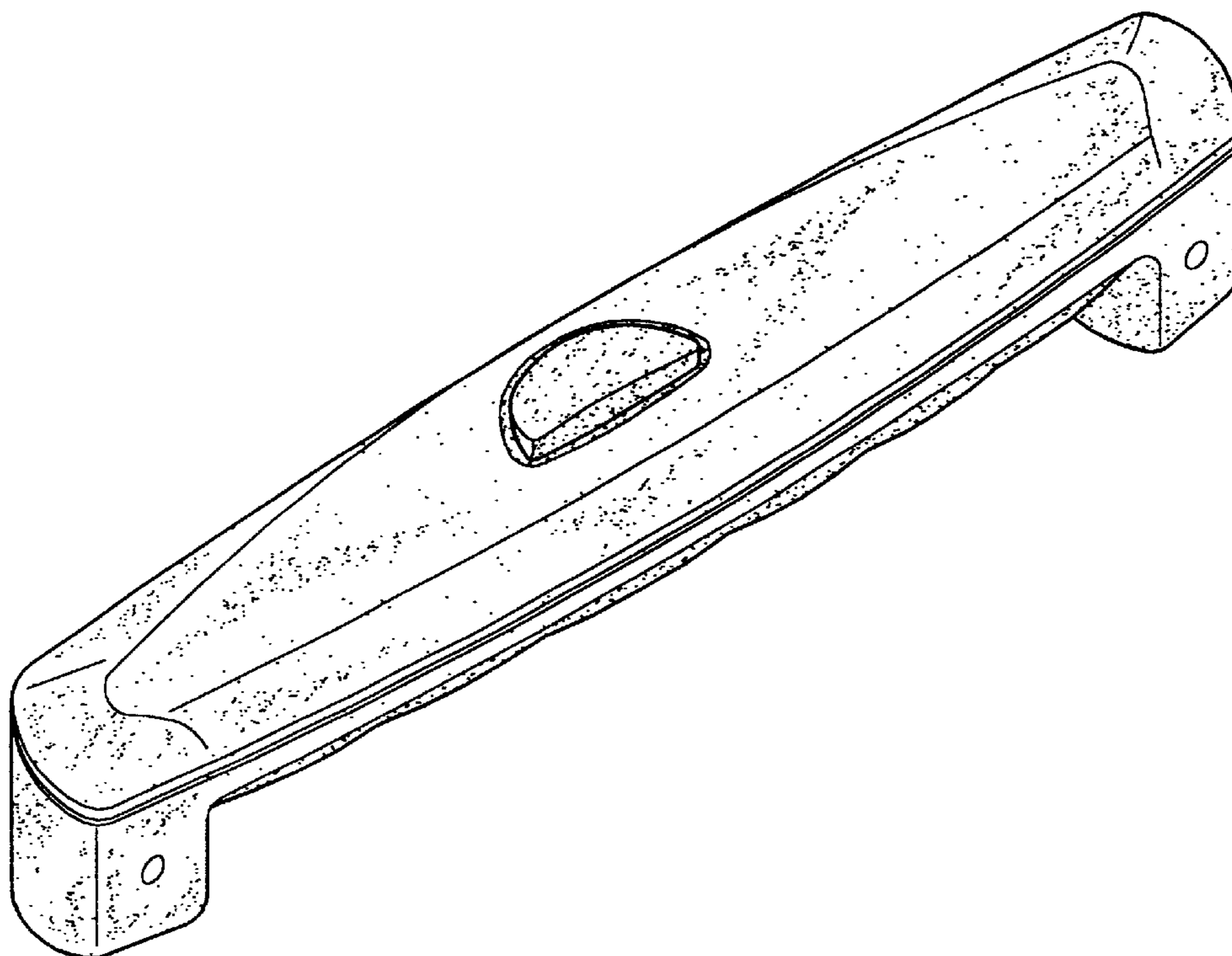
FIG. 7 is a bottom view thereof.

(56) **References Cited**

U.S. PATENT DOCUMENTS

D387,625 S * 12/1997 Kai Fai D3/279 X
6,163,925 A * 12/2000 Lin 190/115 X

1 Claim, 4 Drawing Sheets



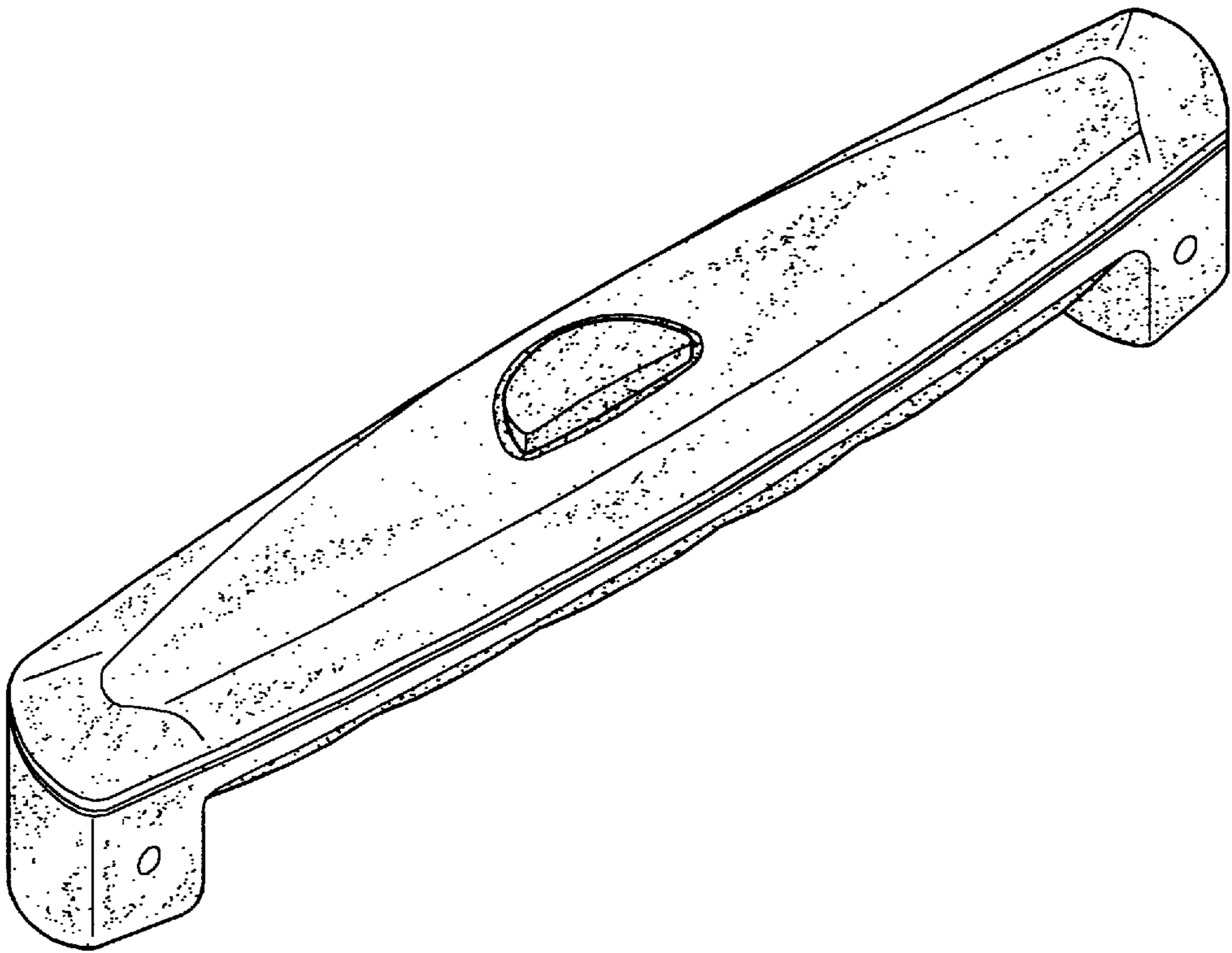


Fig. 1

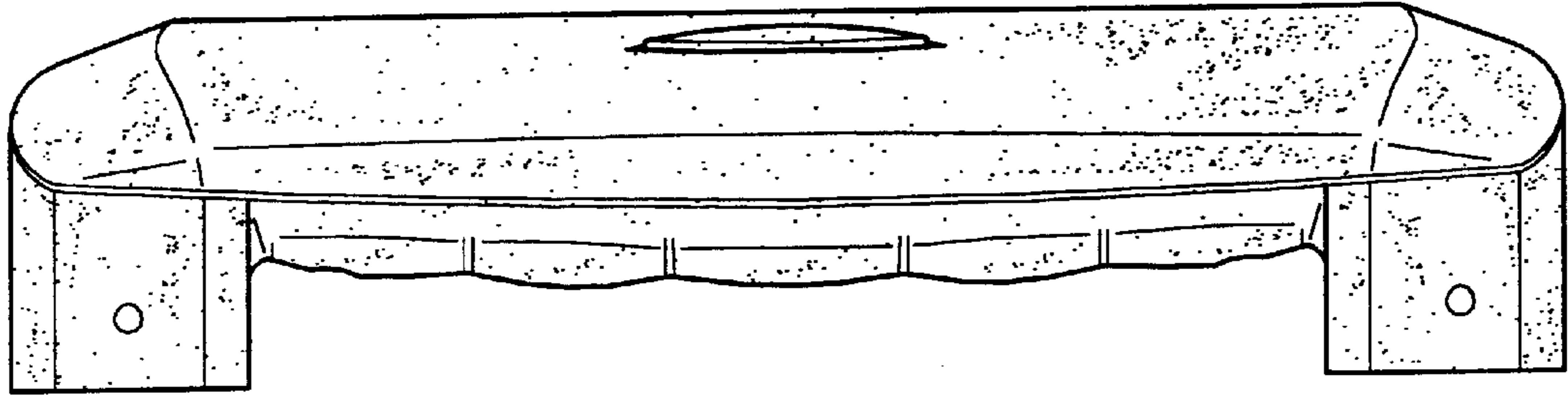


Fig. 2

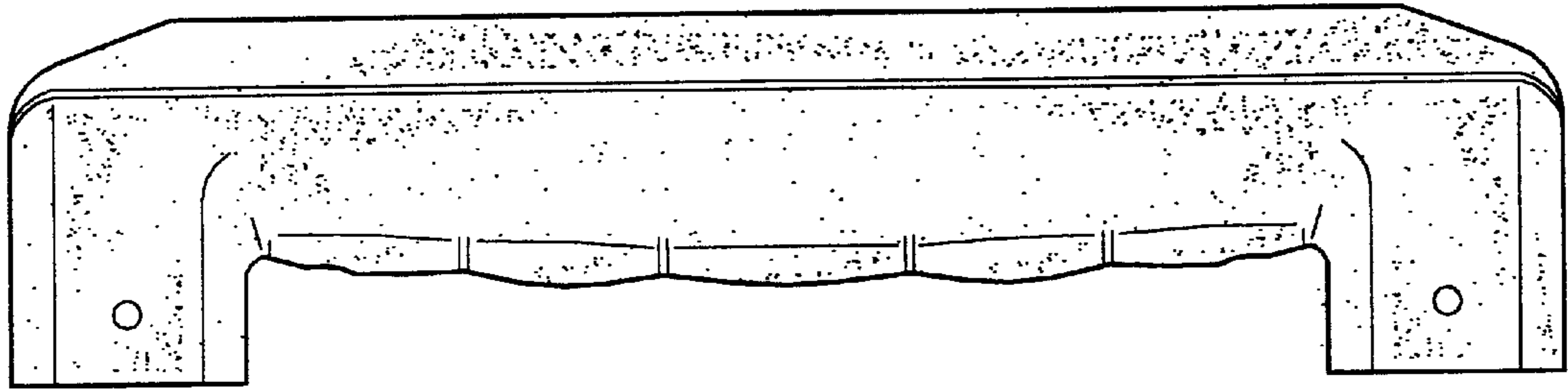


Fig. 3

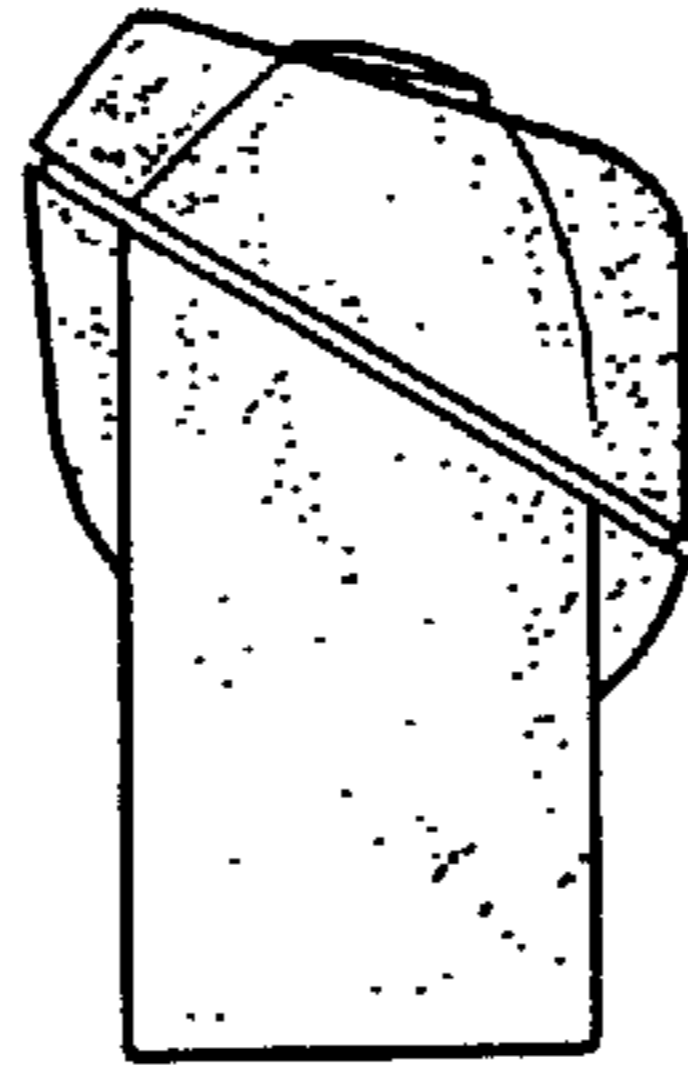


Fig. 4

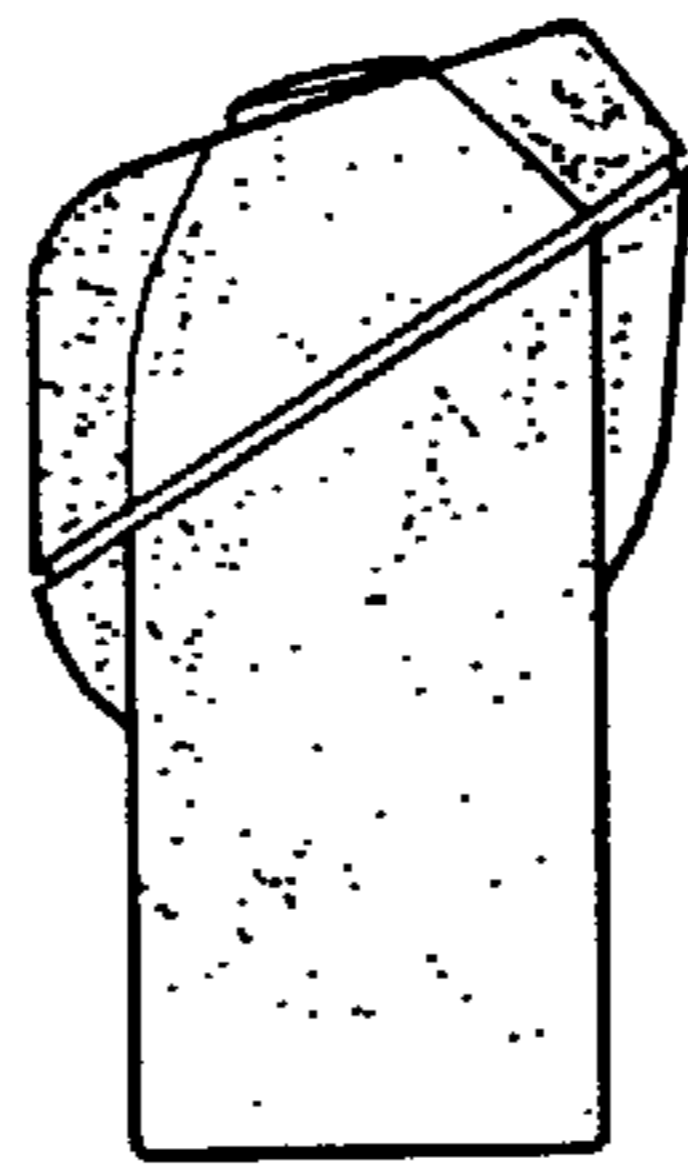


Fig. 5

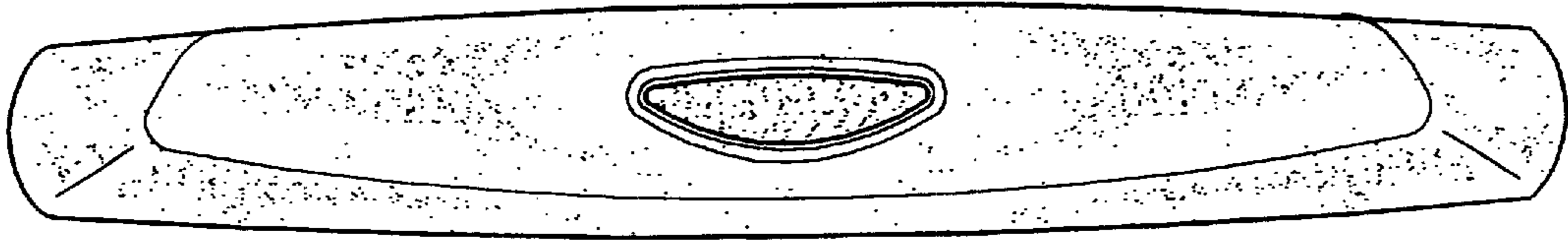


Fig. 6

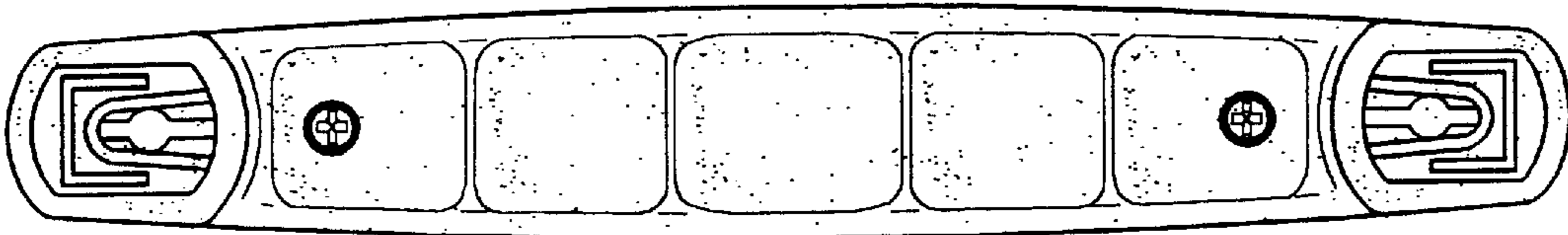


Fig. 7