



US00D471713S

(12) **United States Design Patent**
Speed

(10) **Patent No.:** **US D471,713 S**

(45) **Date of Patent:** **** *Mar. 18, 2003**

(54) **BASKET**

(75) **Inventor:** **Daryl F. Speed, Vancouver (CA)**

(73) **Assignee:** **Vanguard Plastics Ltd., Surrey (CA)**

(*) **Notice:** This patent is subject to a terminal disclaimer.

(**) **Term:** **14 Years**

(21) **Appl. No.:** **29/152,099**

(22) **Filed:** **Dec. 18, 2001**

(51) **LOC (7) Cl.** **03-01**

(52) **U.S. Cl.** **3/307**

(58) **Field of Search** D3/304-309, 201,
D3/312-315, 318, 240; 206/499, 503, 505,
506, 514, 510, 821; 220/752, 768-769,
773, 917, 675, 760-764, 322

(56) **References Cited**

U.S. PATENT DOCUMENTS

4,478,344 A * 10/1984 Rehrig 206/505
D290,179 S * 6/1987 Peltola D3/309

D326,552 S * 5/1992 Goodell D3/312

5,469,986 A * 11/1995 Jang 220/760

D364,961 S * 12/1995 Rehrig D3/307

D382,999 S * 9/1997 Rehrig D3/309

D420,219 S * 2/2000 Elvin-Jensen et al. D3/304

* cited by examiner

Primary Examiner—Louis S. Zarfes

Assistant Examiner—Deanne Levy

(74) *Attorney, Agent, or Firm*—Frederick Kaufman

(57) **CLAIM**

The ornamental design for a “basket”, as shown and described.

DESCRIPTION

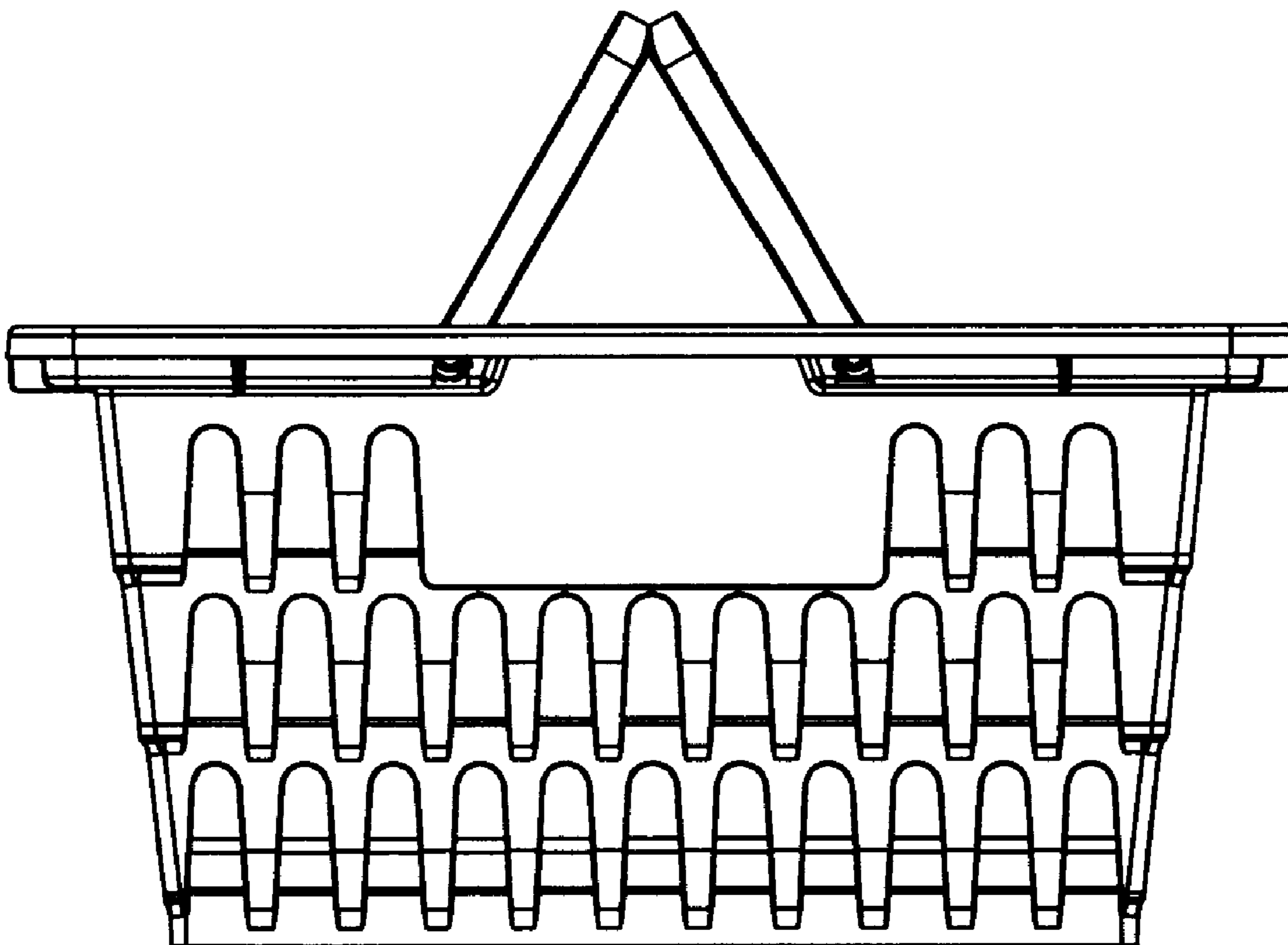
FIG. 1 is a front elevation view of a basket showing my new design;

FIG. 2 is a top view thereof;

FIG. 3 is a right side thereof; and,

FIG. 4 is an enlarged view of the area within the arrows shown in FIG. 1.

1 Claim, 1 Drawing Sheet



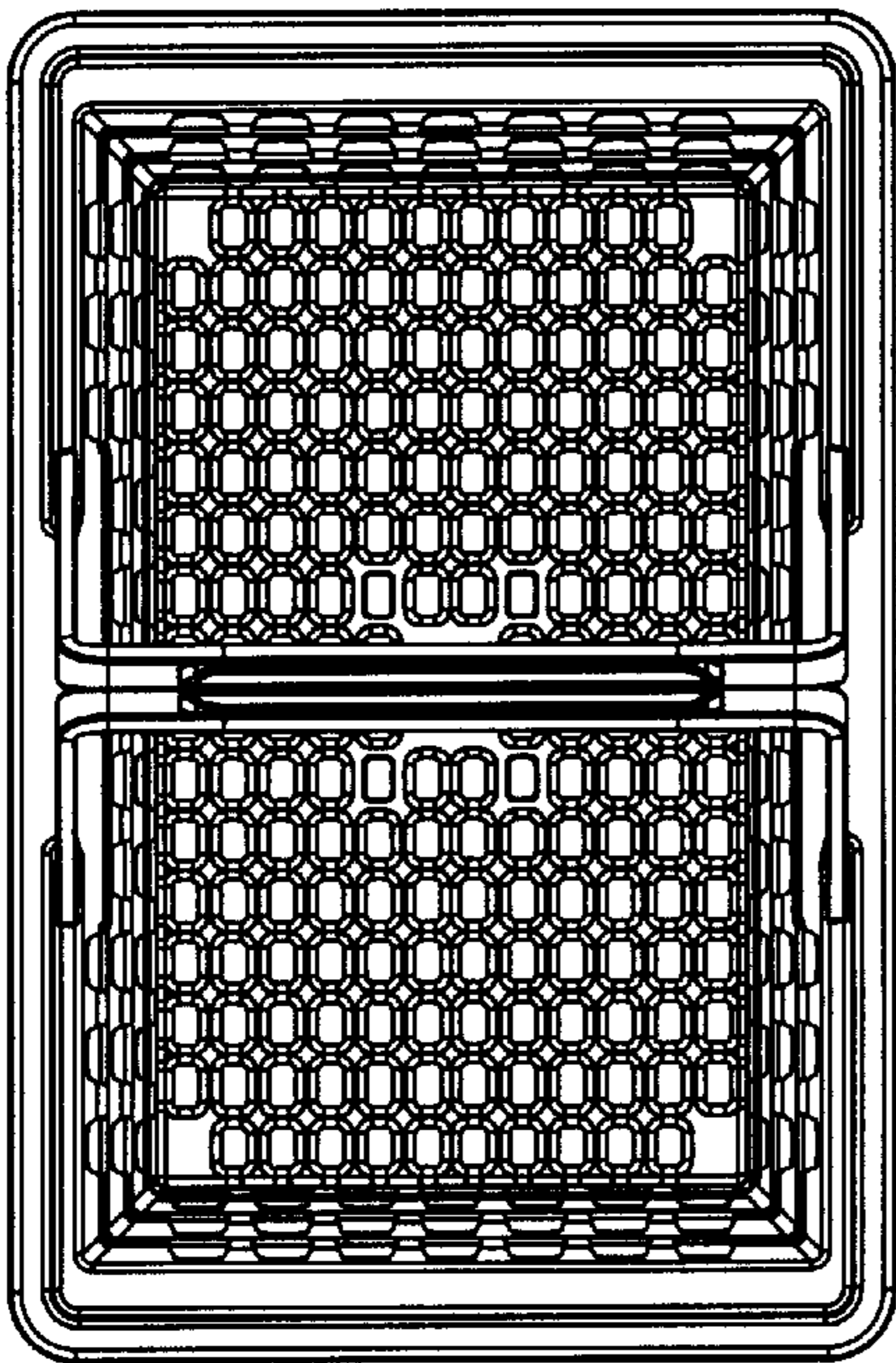


Fig 2

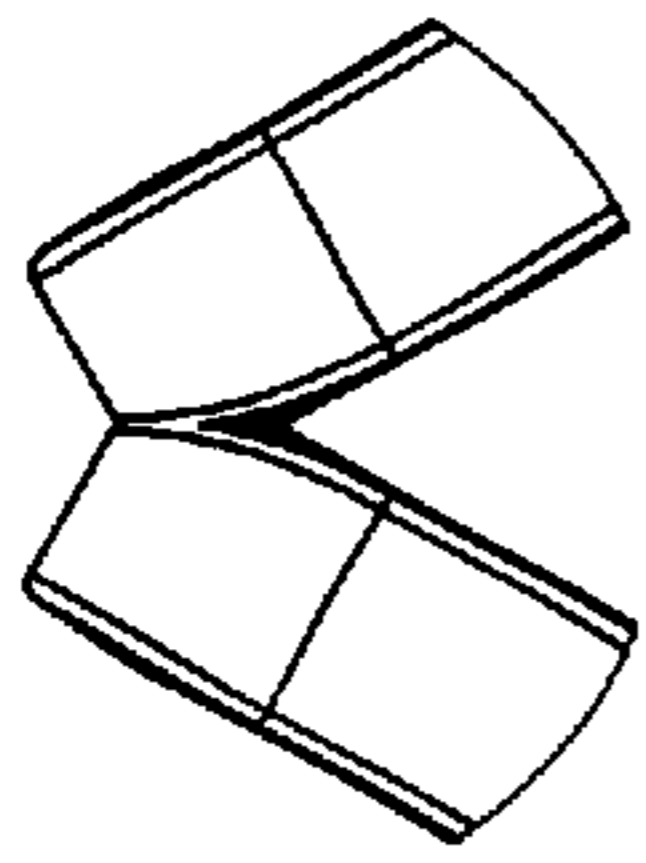


Fig 4

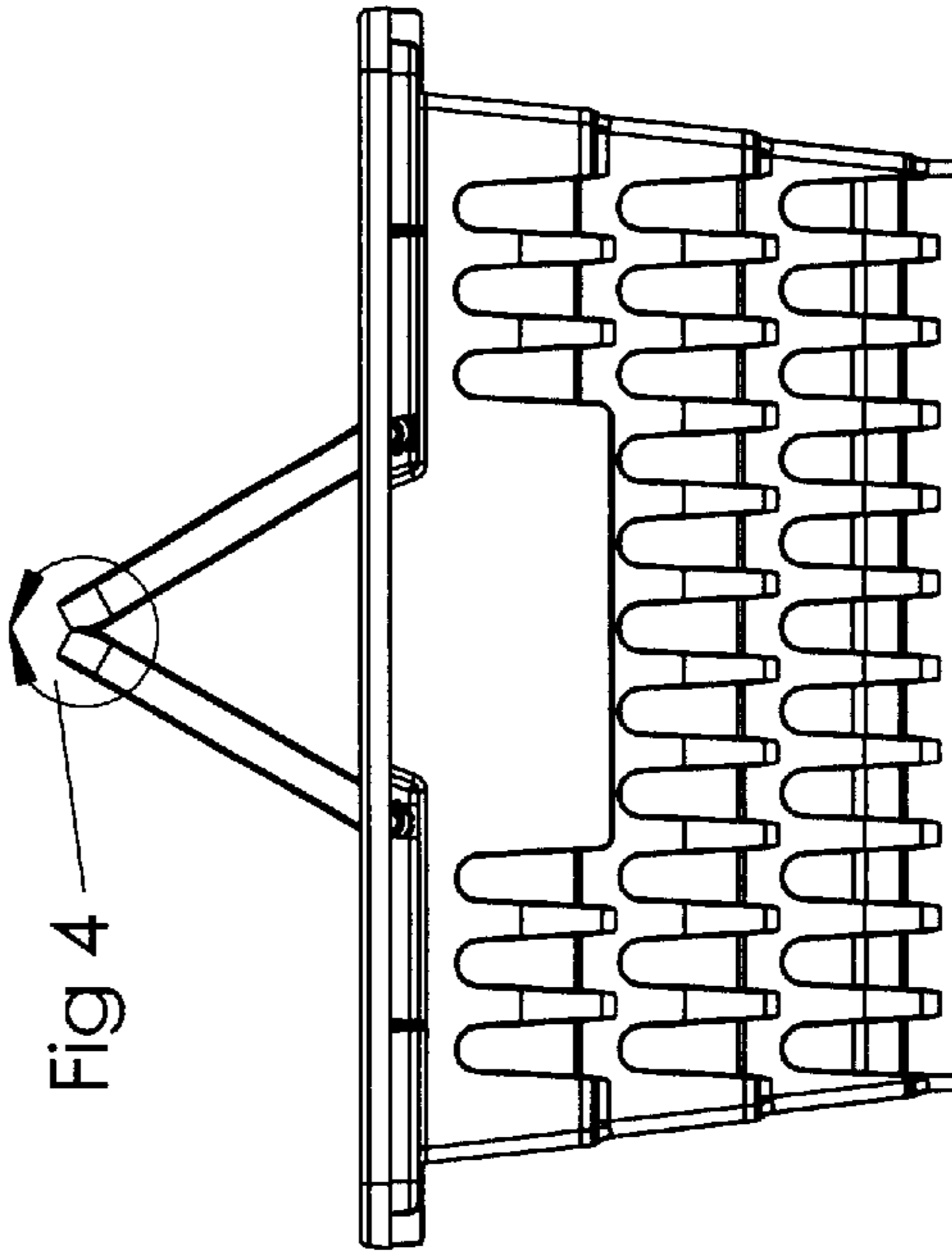


Fig 1

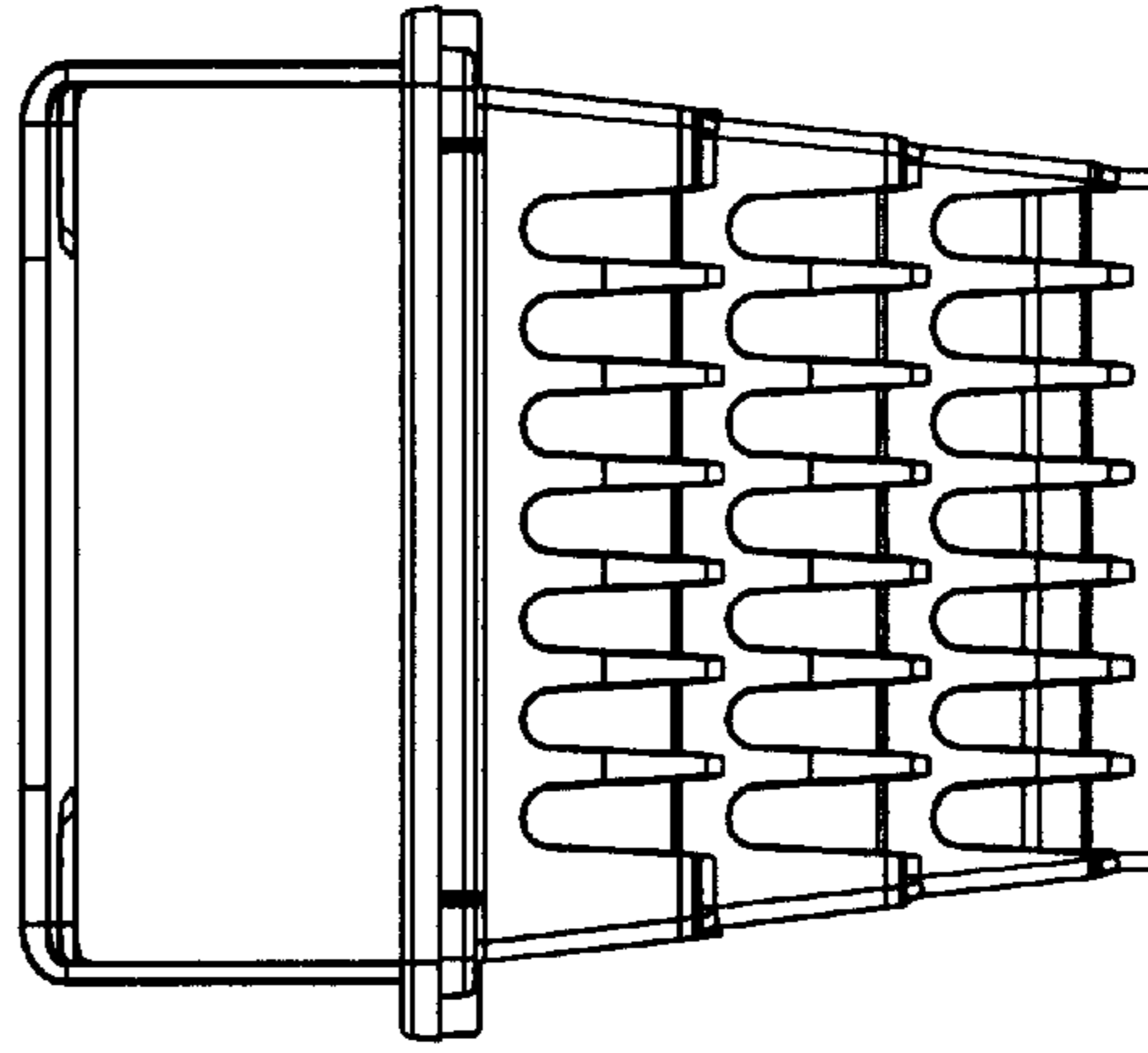


Fig 3