



US00D471711S

(12) **United States Design Patent**
Addison

(10) **Patent No.:** **US D471,711 S**

(45) **Date of Patent:** **** Mar. 18, 2003**

(54) **ROUTER PANEL CASE**

(75) **Inventor:** **Todd Michael Addison**, Sugar Hill, GA (US)

(73) **Assignee:** **Makita Corporation**, Aichi-Ken (JP)

(**) **Term:** **14 Years**

(21) **Appl. No.:** **29/152,018**

(22) **Filed:** **Dec. 12, 2001**

(51) **LOC (7) Cl.** **03-01**

(52) **U.S. Cl.** **D3/281; D3/273; D3/905**

(58) **Field of Search** **D3/272, 273, 276, D3/281, 282, 294, 905; 206/349, 372, 373, 379; 190/100, 109, 110, 111, 112**

(56) **References Cited**

U.S. PATENT DOCUMENTS

D234,273 S	*	2/1975	Wilson	D3/272
D275,822 S	*	10/1984	Gatland et al.	D3/282
D322,889 S	*	1/1992	Ward	D3/281
D328,188 S	*	7/1992	Jacobsen et al.	D3/270

D353,048 S	*	12/1994	VanSkiver et al.	D3/273
D402,462 S	*	12/1998	Sanderson	D3/276
D413,203 S	*	8/1999	Zurwelle et al.	D3/276
D428,254 S	*	7/2000	Alexander-Katz	D3/274
D439,407 S	*	3/2001	Parker	D3/276

* cited by examiner

Primary Examiner—Philip S. Hyder

(74) *Attorney, Agent, or Firm*—Rodgers & Rodgers

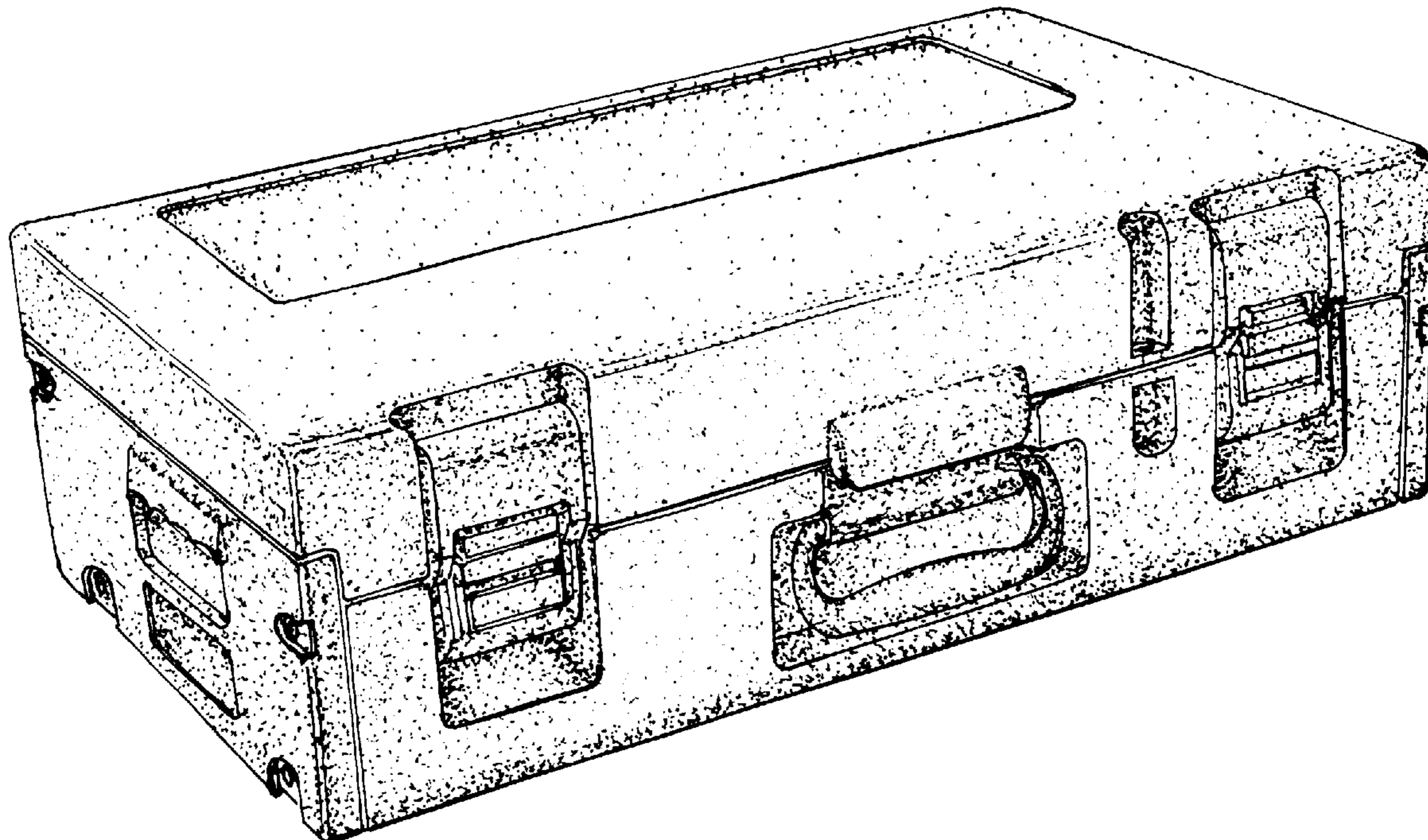
(57) **CLAIM**

The ornamental design for a router panel case, as shown and described.

DESCRIPTION

FIG. 1 is a perspective view of a router panel case showing my new design;
FIG. 2 is a front elevational view thereof;
FIG. 3 is a top plan view thereof;
FIG. 4 is a right side elevational view thereof, the opposite side being a mirror image thereof; and,
FIG. 5 is a rear elevational view thereof.

1 Claim, 3 Drawing Sheets



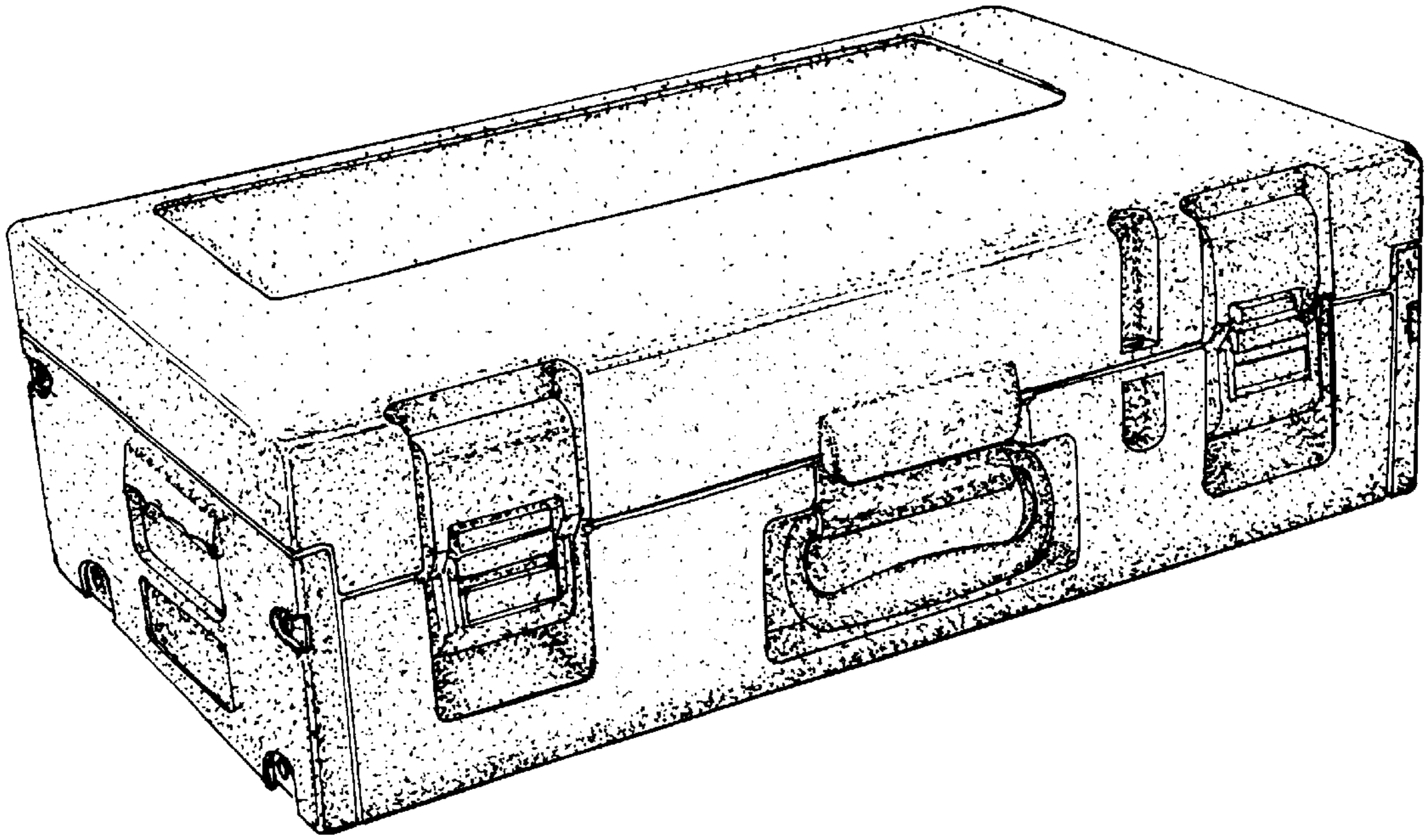


FIG. 1

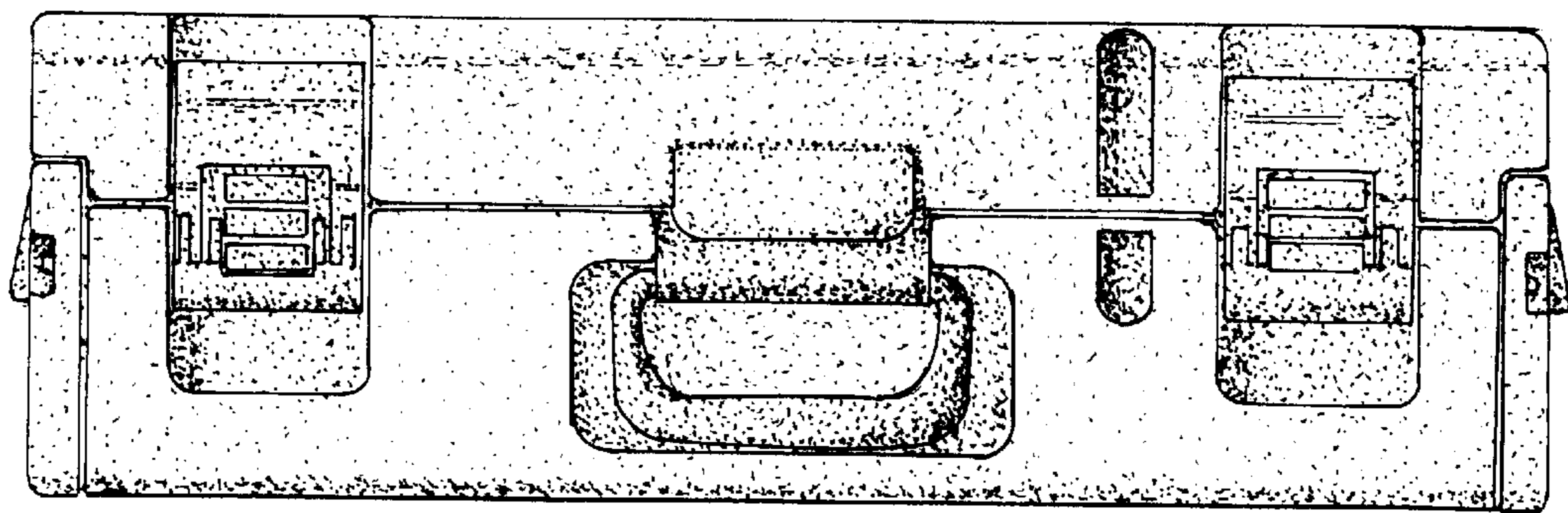


FIG. 2

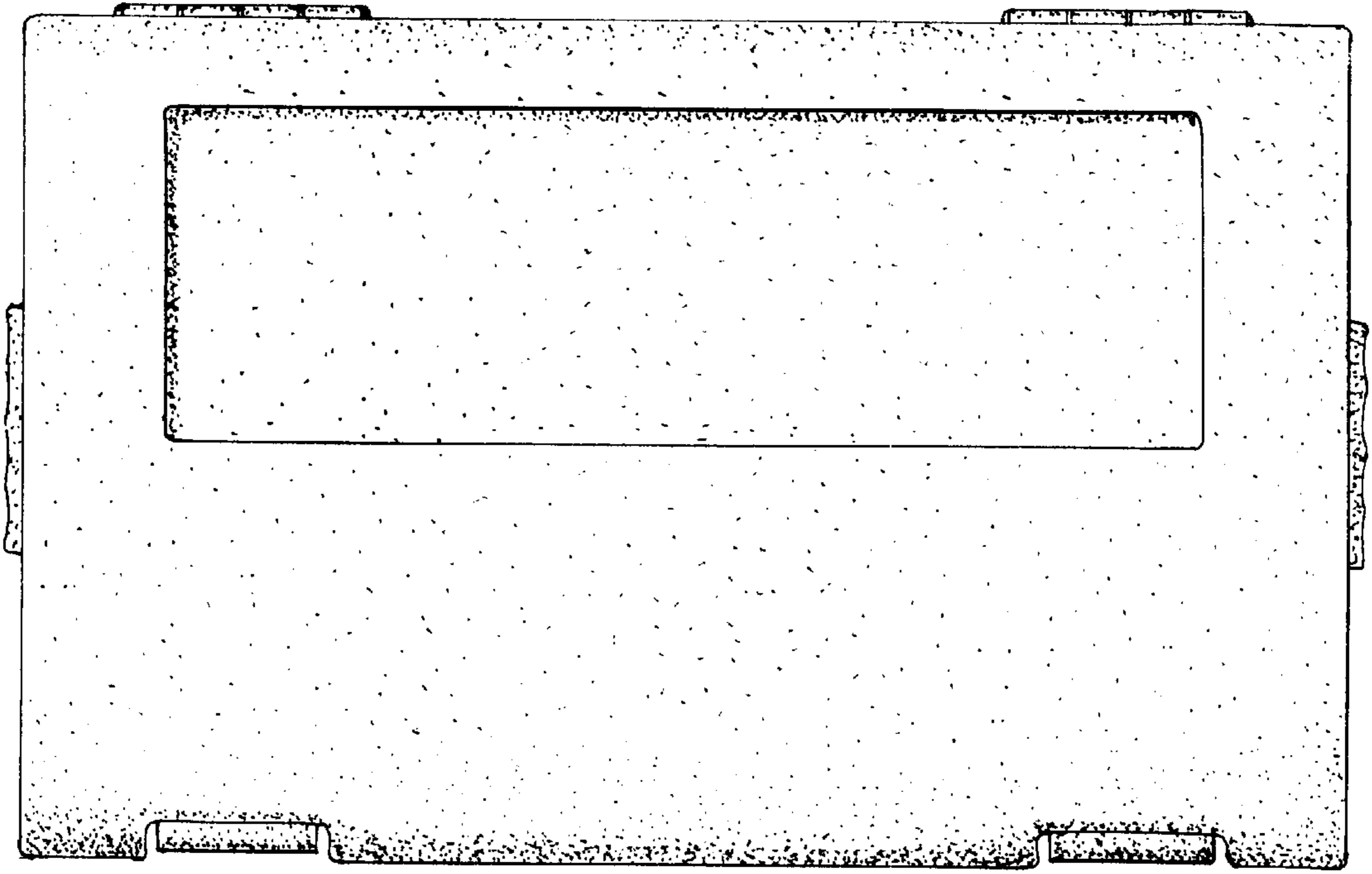


FIG. 3

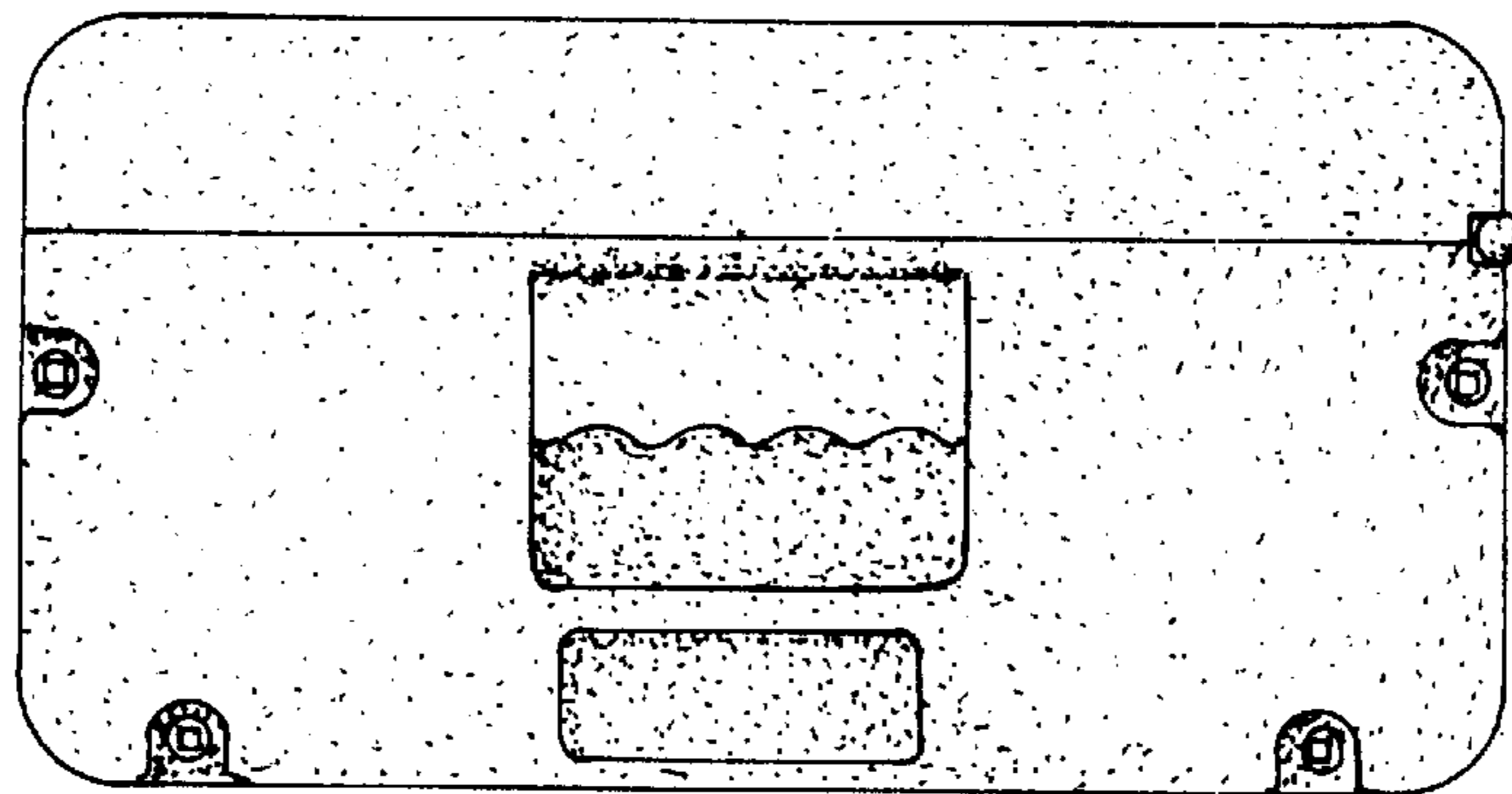


FIG. 4

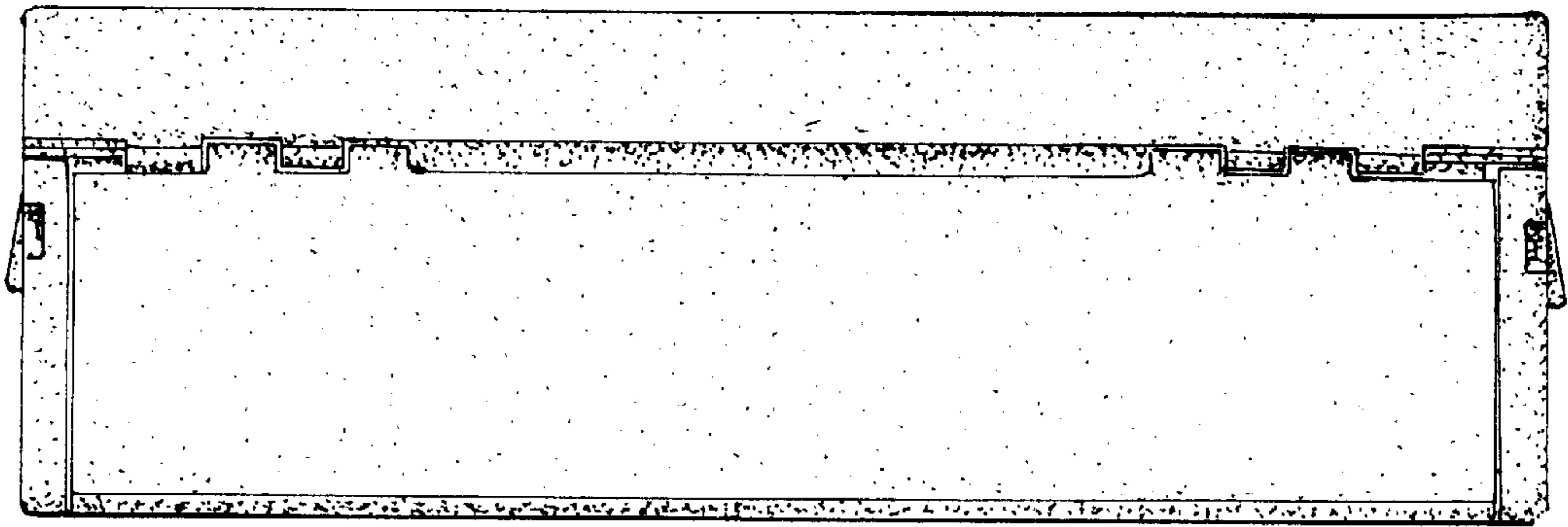


FIG. 5