



US00D471710S

(12) **United States Design Patent**  
**Rushworth**

(10) **Patent No.:** **US D471,710 S**

(45) **Date of Patent:** **\*\* Mar. 18, 2003**

(54) **CIRCULAR SAW PANEL CASE**

(75) **Inventor:** **Edward Howe Rushworth, Suwanee, GA (US)**

(73) **Assignee:** **Makita Corporation, Aichi-Ken (JP)**

(\*\*) **Term:** **14 Years**

(21) **Appl. No.:** **29/153,003**

(22) **Filed:** **Jan. 4, 2002**

(51) **LOC (7) Cl.** ..... **03-01**

(52) **U.S. Cl.** ..... **D3/276; D3/281; D3/291; D3/905**

(58) **Field of Search** ..... **D3/272, 273, 276, D3/281, 291, 294; 206/349, 372, 373; 190/100, 110**

(56) **References Cited**

**U.S. PATENT DOCUMENTS**

D234,273 S	*	2/1975	Wilson	.....	D3/272
D275,822 S	*	10/1984	Gatland et al.	.....	D3/282
D322,889 S	*	1/1992	Ward	.....	D3/281

D328,188 S	*	7/1992	Jacobsen et al.	.....	D3/270
D353,048 S	*	12/1994	VanSkiver et al.	.....	D3/273
D402,462 S	*	12/1998	Sanderson	.....	D3/276
D413,203 S	*	8/1999	Zurwelle et al.	.....	D3/276
D428,254 S	*	7/2000	Alexander-Katz	.....	D3/274
D439,407 S	*	3/2001	Parker	.....	D3/276

\* cited by examiner

*Primary Examiner*—Philip S. Hyder

(74) *Attorney, Agent, or Firm*—Rodgers & Rodgers

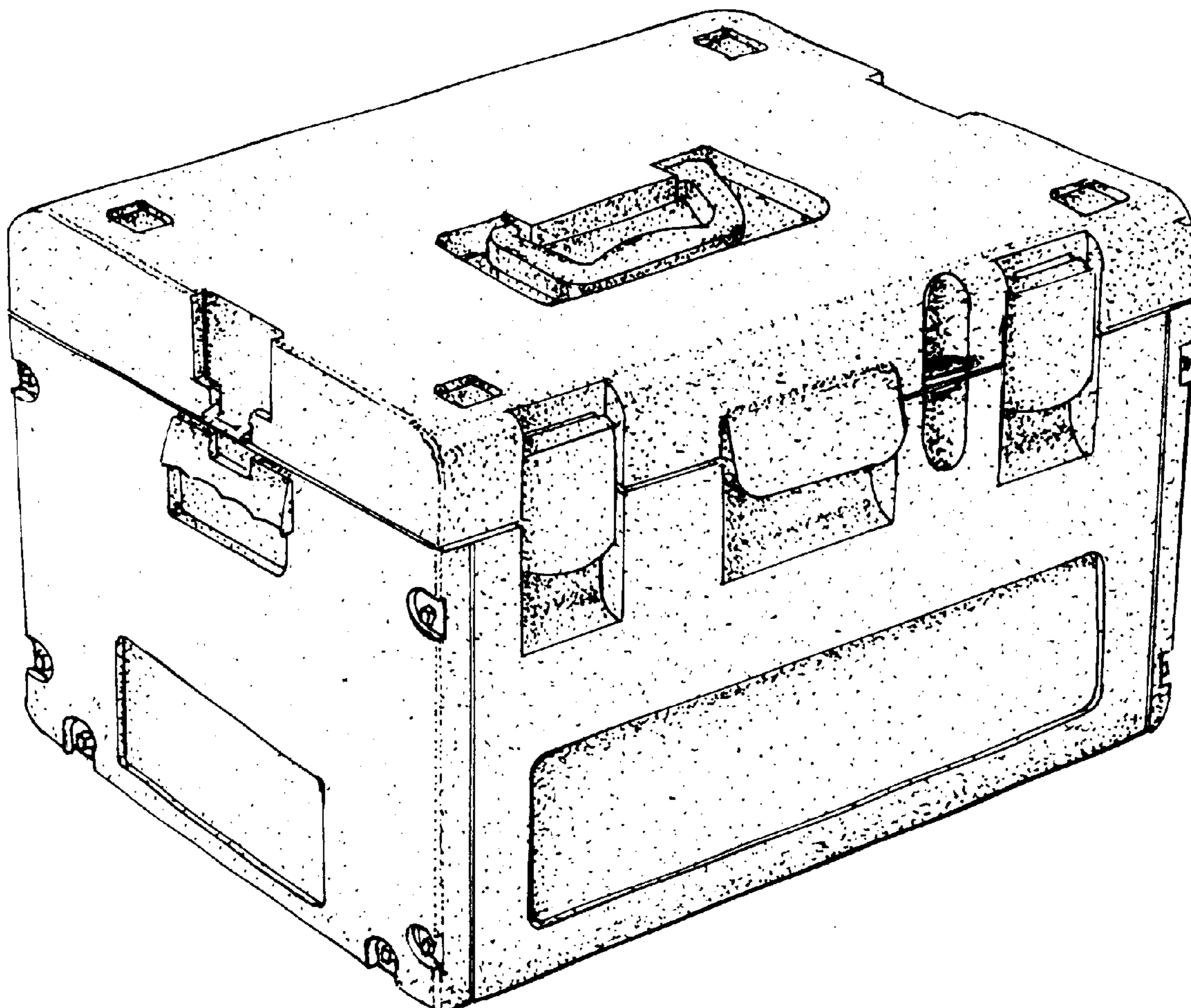
(57) **CLAIM**

The ornamental design for a circular saw panel case, as shown and described.

**DESCRIPTION**

FIG. 1 is a perspective view of a circular saw panel case showing my new design;  
FIG. 2 is a front elevational view thereof;  
FIG. 3 is a top plan view thereof;  
FIG. 4 is a right side elevational view thereof, the opposite side being a mirror image thereof; and,  
FIG. 5 is a rear elevational view thereof.

**1 Claim, 3 Drawing Sheets**



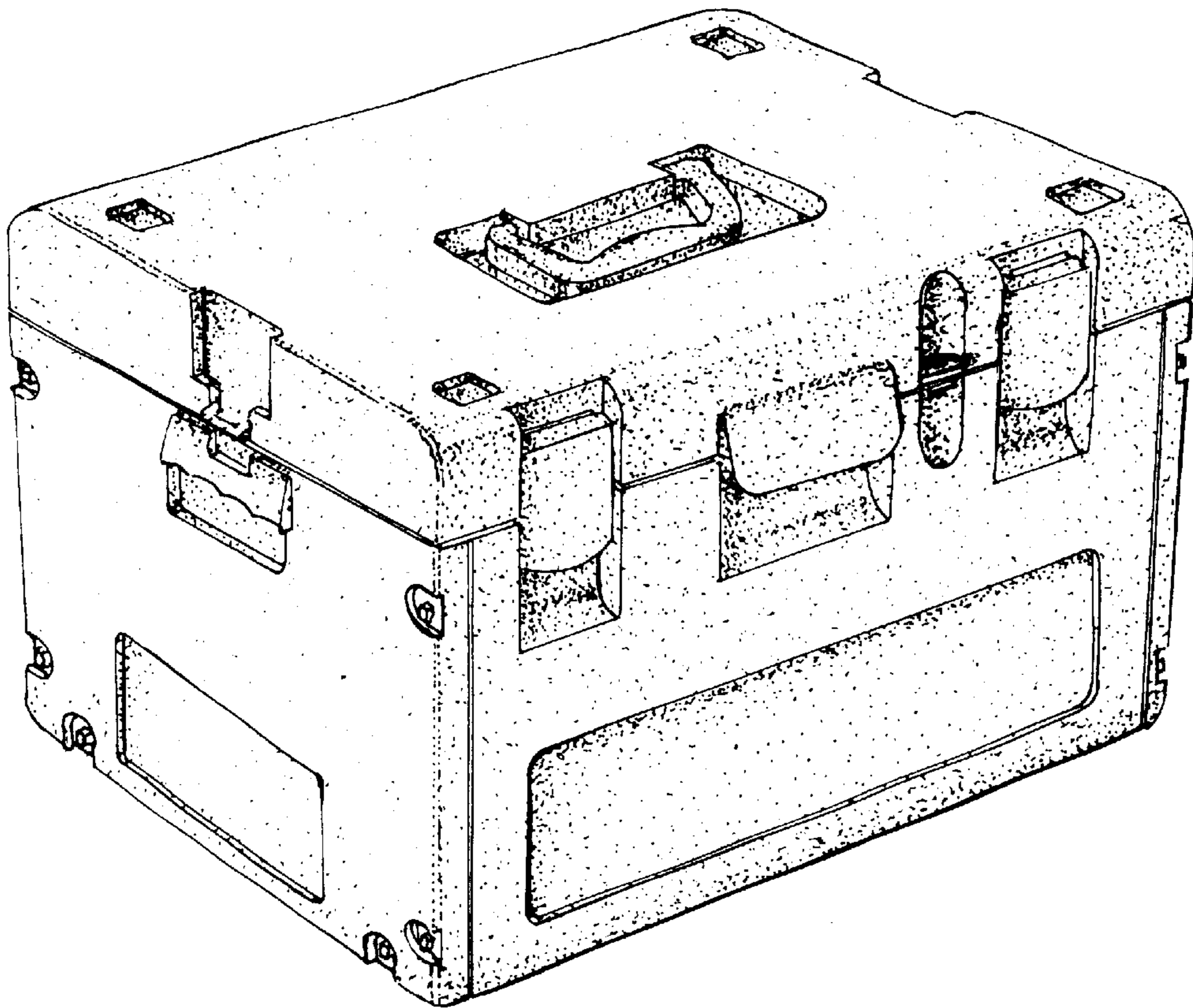


FIG. 1

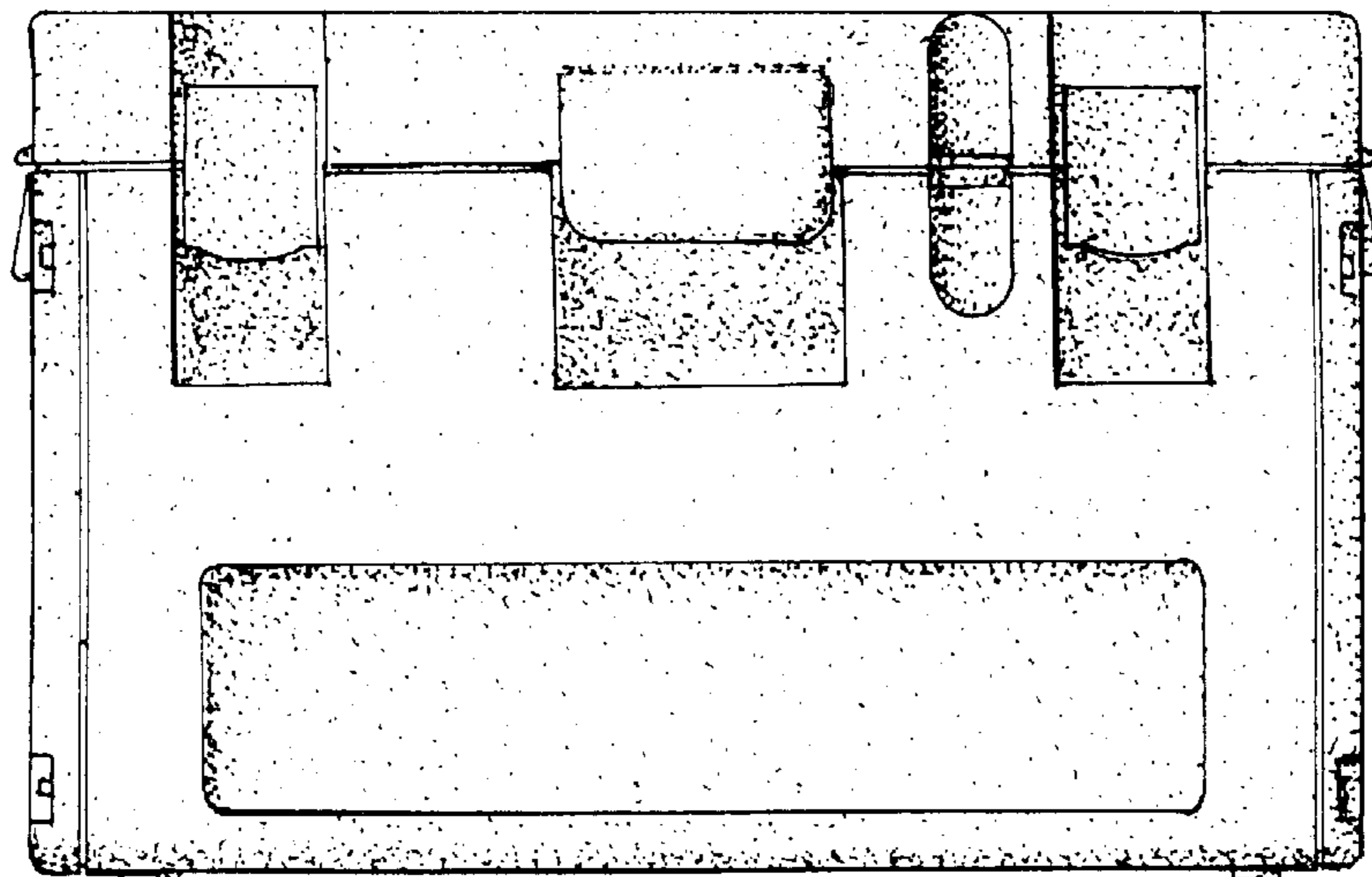


FIG. 2

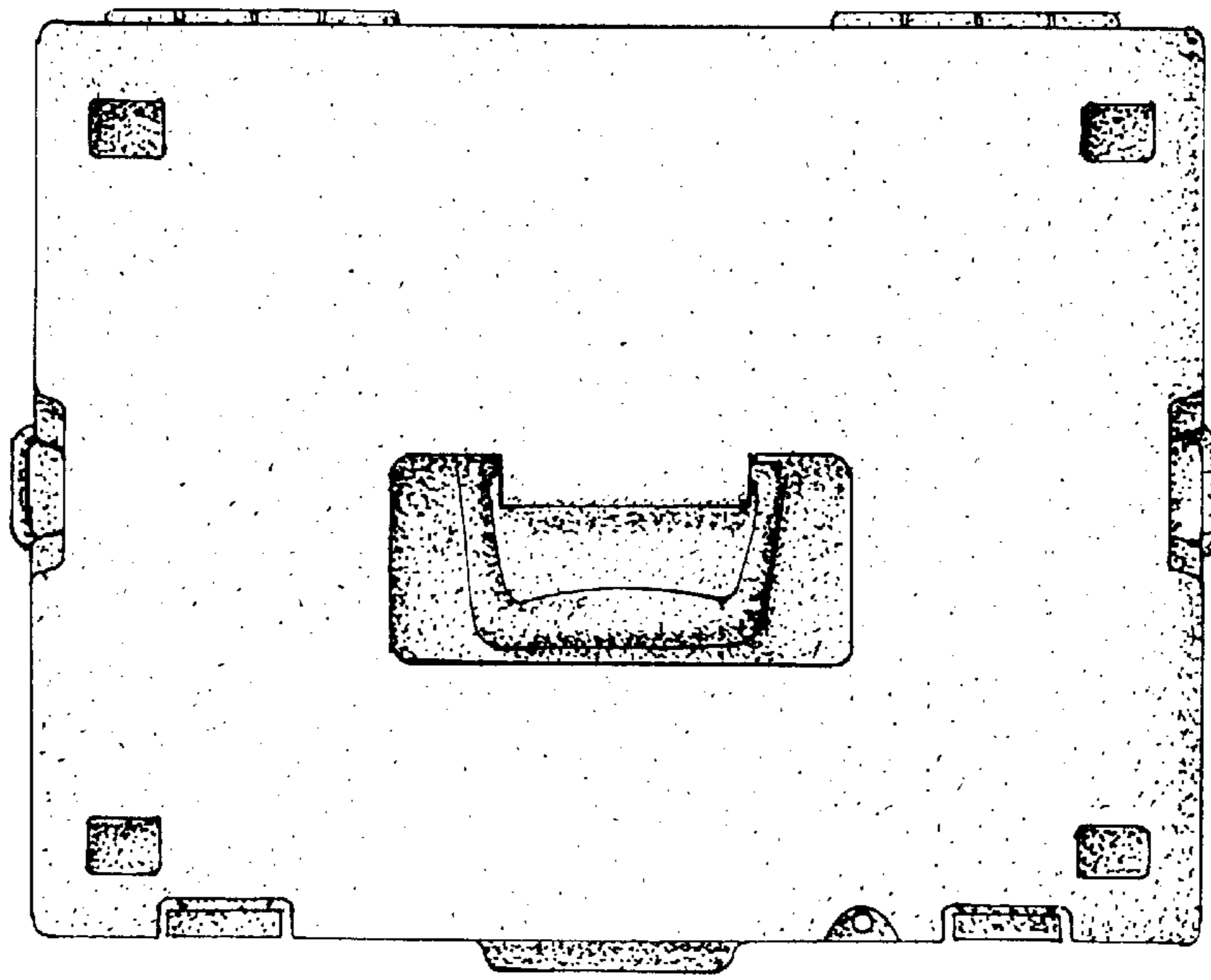


FIG. 3

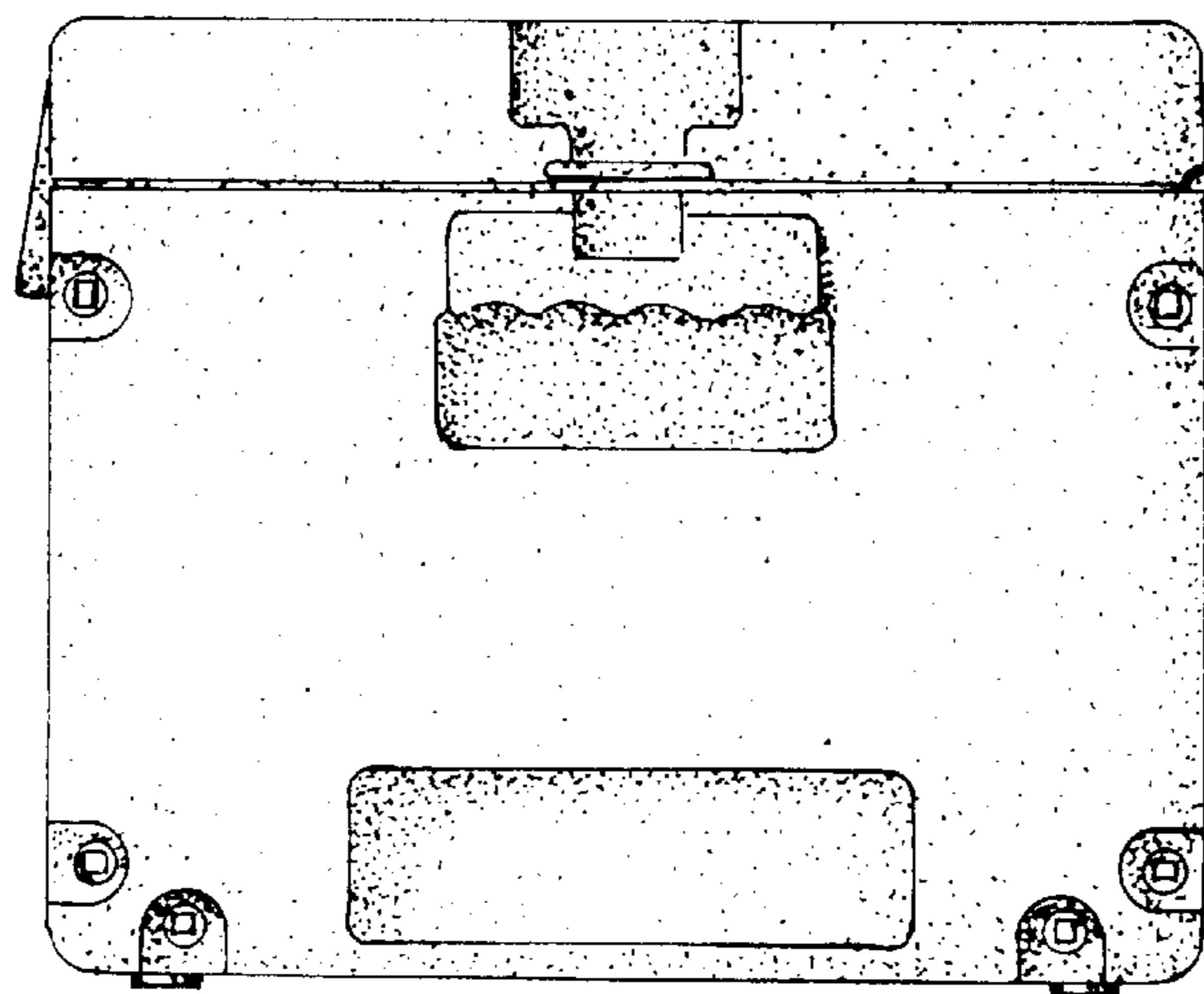


FIG. 4



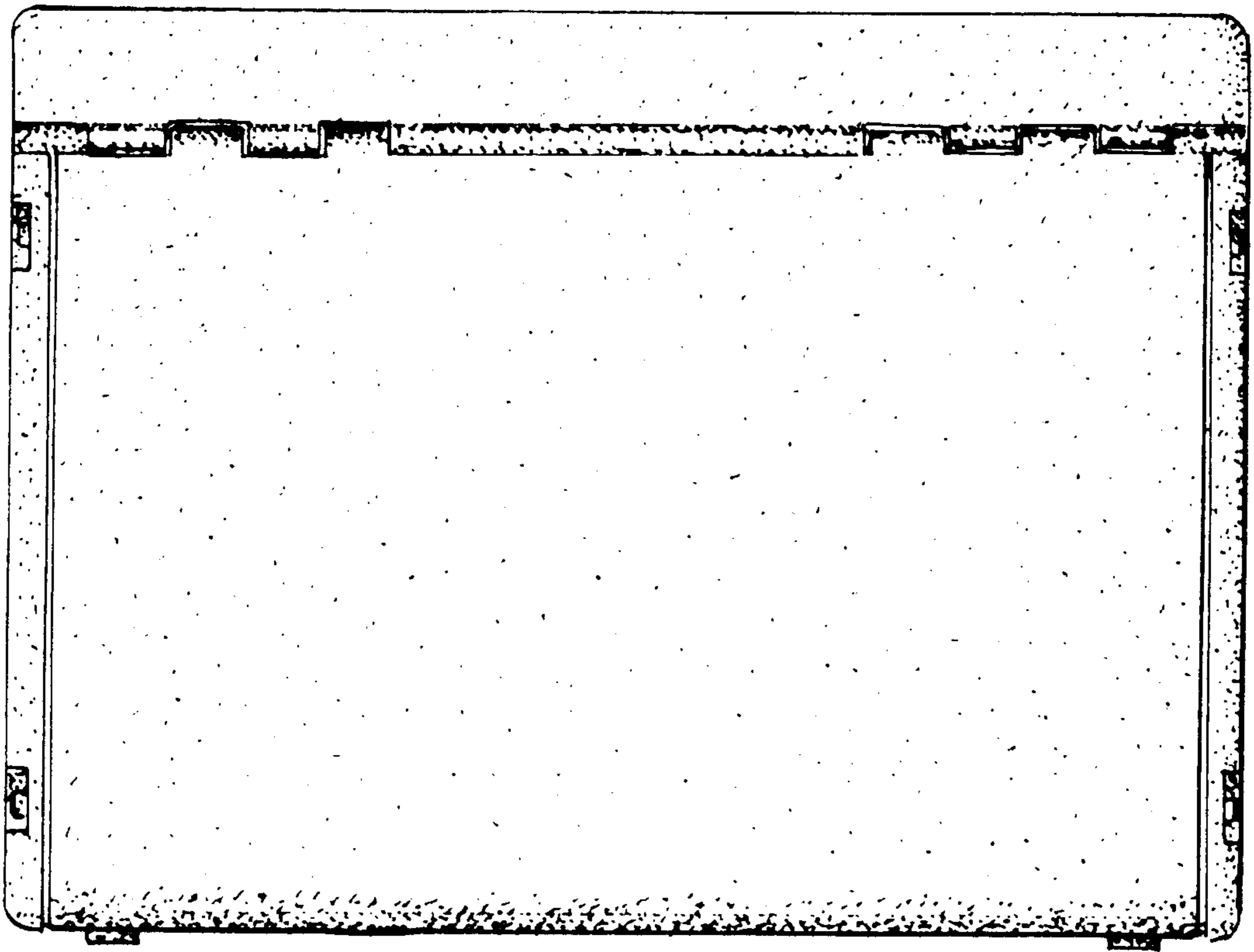


FIG. 5