



US00D471707S

(12) **United States Design Patent**  
**Galliano**

(10) **Patent No.:** **US D471,707 S**

(45) **Date of Patent:** **\*\* Mar. 18, 2003**

(54) **HANDBAG**

(75) Inventor: **John Galliano, Paris (FR)**

(73) Assignee: **Christian Dior Couture, S.A., Paris (FR)**

(\*\*) Term: **14 Years**

(21) Appl. No.: **29/165,989**

(22) Filed: **Aug. 20, 2002**

(30) **Foreign Application Priority Data**

Feb. 20, 2002 (XH) ..... DM/059 055

(51) **LOC (7) Cl.** ..... **03-01**

(52) **U.S. Cl.** ..... **D3/243**

(58) **Field of Search** ..... D3/231, 232, 233, D3/234, 238, 243, 245, 246, 303, 276, 287, 289; D9/305; 383/4; 150/100, 103, 104, 106, 107, 108, 109, 110, 111, 112, 113, 114, 117, 118, 127, 128, 129, 130; 190/8, 16, 100, 102, 108, 109, 110, 111, 112, 113, 114, 115, 120, 121, 124, 125, 126, 127; 224/42.11, 153, 155, 191, 236, 255, 408, 413, 417, 420, 427, 429, 430, 579, 582, 610

(56) **References Cited**

**U.S. PATENT DOCUMENTS**

922,567 A	5/1909	Cosgrove	
2,372,845 A	4/1945	Nelson	
3,696,850 A	10/1972	Rosenblum	
D227,818 S	7/1973	Dipadova	
D235,490 S	6/1975	Lewis	
D250,794 S	1/1979	Siegel	
4,153,092 A	* 5/1979	Haslam	224/579 X
4,164,308 A	8/1979	Gautier	
D254,343 S	* 3/1980	Babcock	224/191
D258,702 S	3/1981	Weinreb	
D264,019 S	4/1982	Schimmel	
4,673,070 A	6/1987	Ambal	

4,700,761 A	10/1987	Gladding	
4,810,102 A	* 3/1989	Norton	224/153 X
4,953,674 A	9/1990	Landes	
4,995,436 A	2/1991	Cantor	
5,018,609 A	5/1991	Brenner	
5,022,528 A	6/1991	Savoy	
5,197,525 A	3/1993	Cantor	
5,219,423 A	6/1993	Kamaya	
5,240,106 A	8/1993	Plath	
5,318,084 A	6/1994	Jackson	
5,413,198 A	5/1995	Ferris	
5,413,199 A	5/1995	Clement	
5,509,515 A	4/1996	Guo	
D373,019 S	* 8/1996	Ford	D3/243
D381,503 S	* 7/1997	Petto	D3/234 X
5,815,843 A	10/1998	Brillhart, III	
D449,737 S	* 10/2001	Galliano	D3/243

\* cited by examiner

*Primary Examiner*—Louis S. Zarfes  
*Assistant Examiner*—Monica A. Weingart  
(74) *Attorney, Agent, or Firm*—Amster, Rothstein & Ebenstein; Philip H. Gottfried, Esq.

(57) **CLAIM**

The ornamental design for a handbag, as shown and described.

**DESCRIPTION**

FIG. 1 is a left front perspective view of a handbag showing my new design;  
FIG. 2 is a front elevational view thereof;  
FIG. 3 is a rear elevational view thereof;  
FIG. 4 is a left side elevational view thereof;  
FIG. 5 is a right side elevational view thereof;  
FIG. 6 is a top plan view thereof;  
FIG. 7 is a bottom plan view thereof; and,  
FIG. 8 is a bottom plan view thereof, similar to FIG. 7, with part of the bottom shown in an alternate configuration to illustrate the design on the bottom.

**1 Claim, 8 Drawing Sheets**



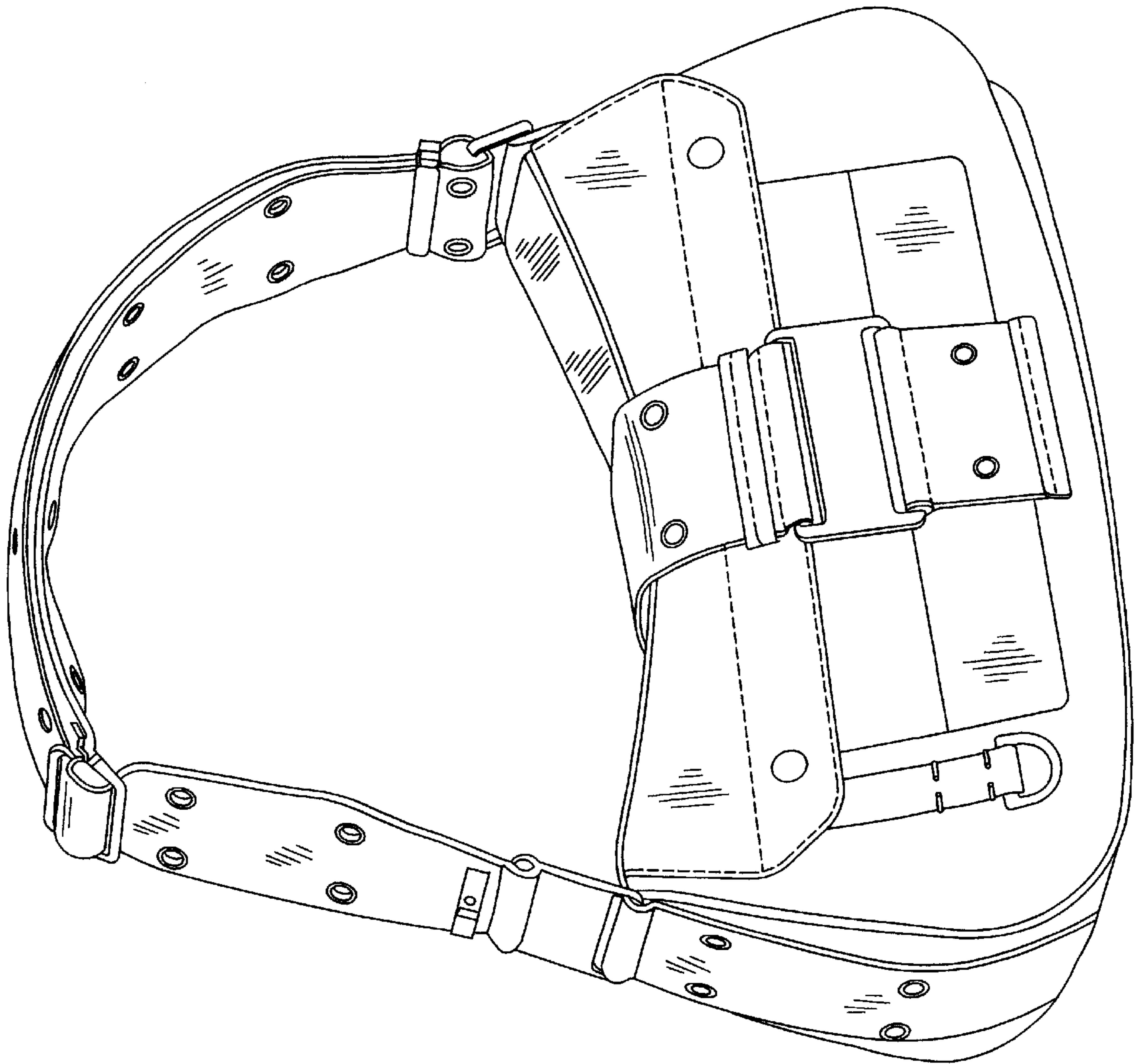


FIG. 1

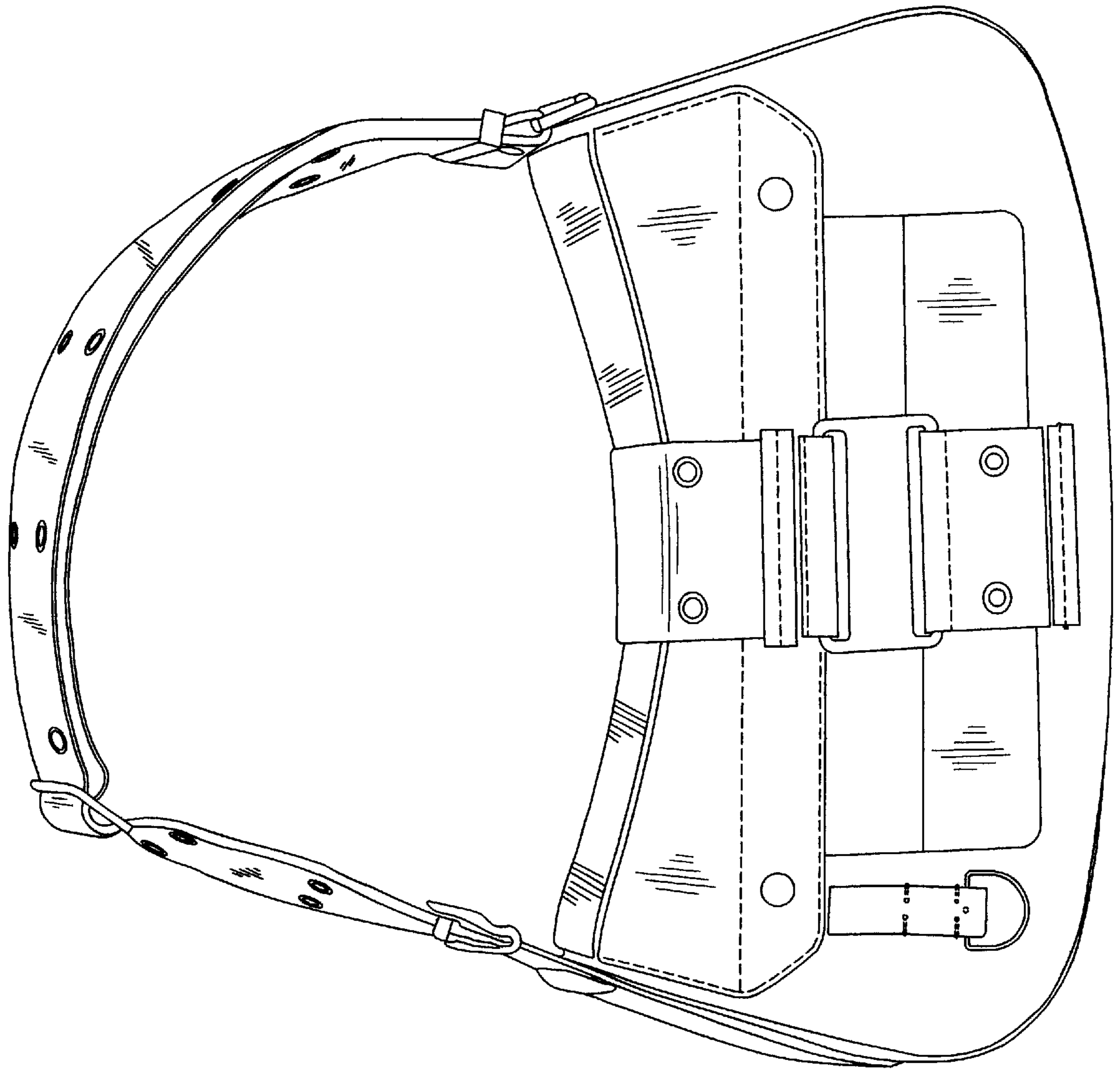


FIG. 2

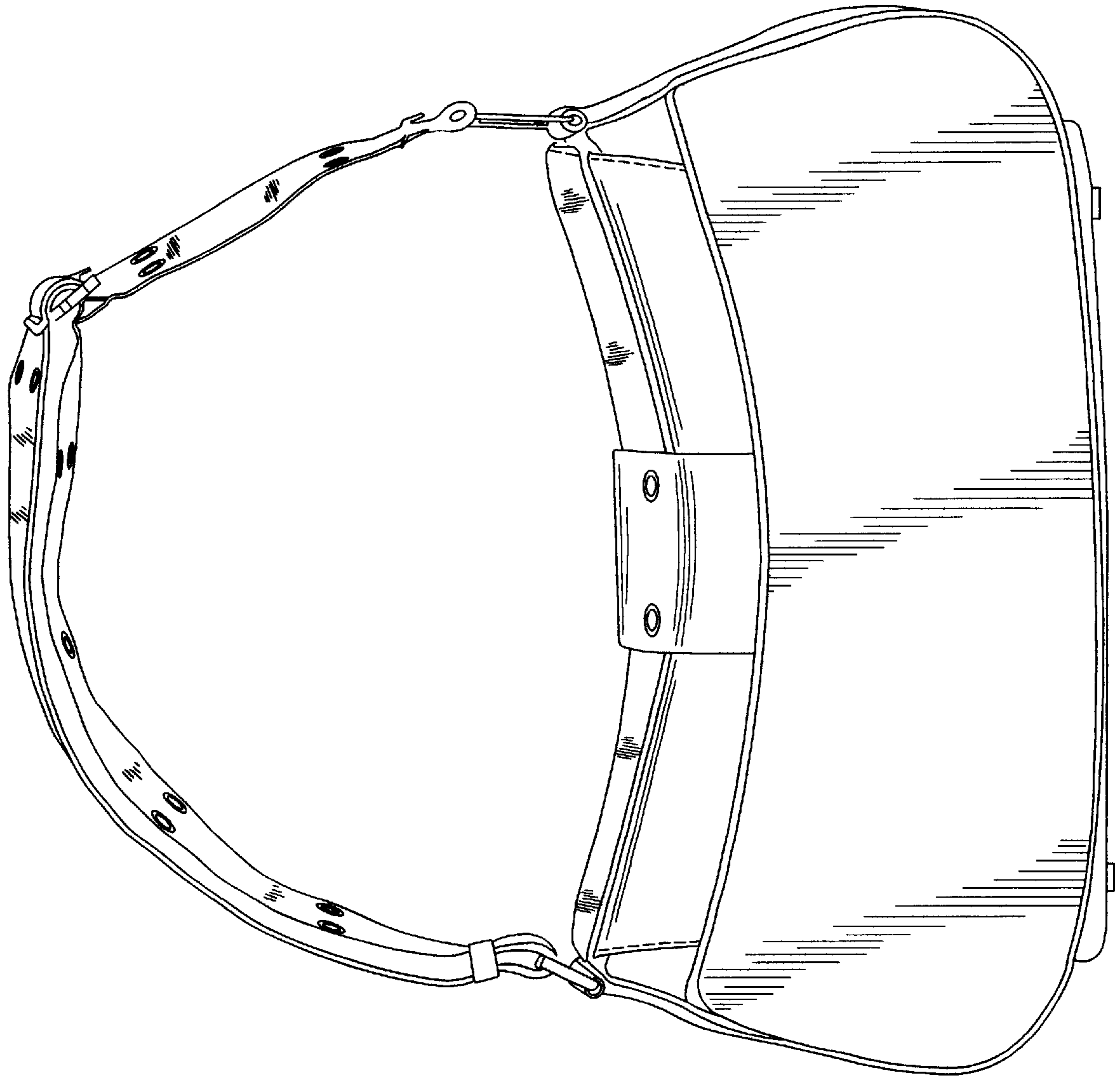


FIG. 3



FIG. 4

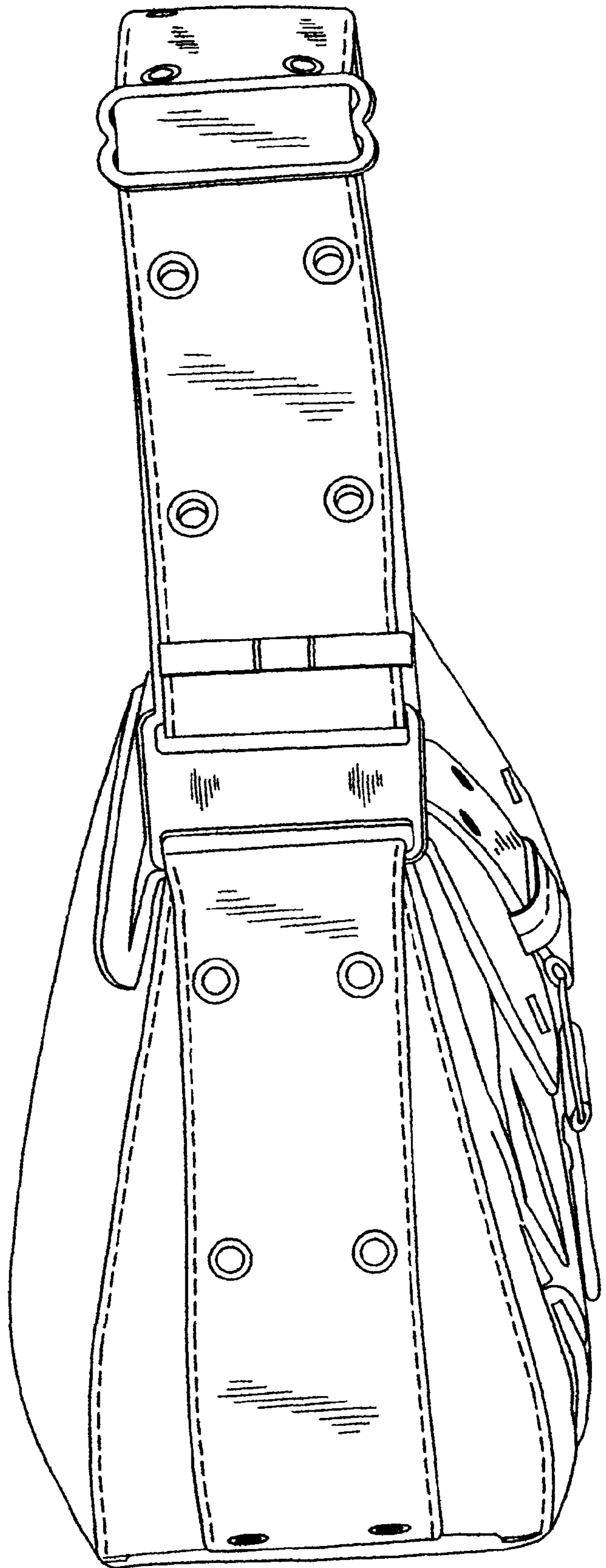
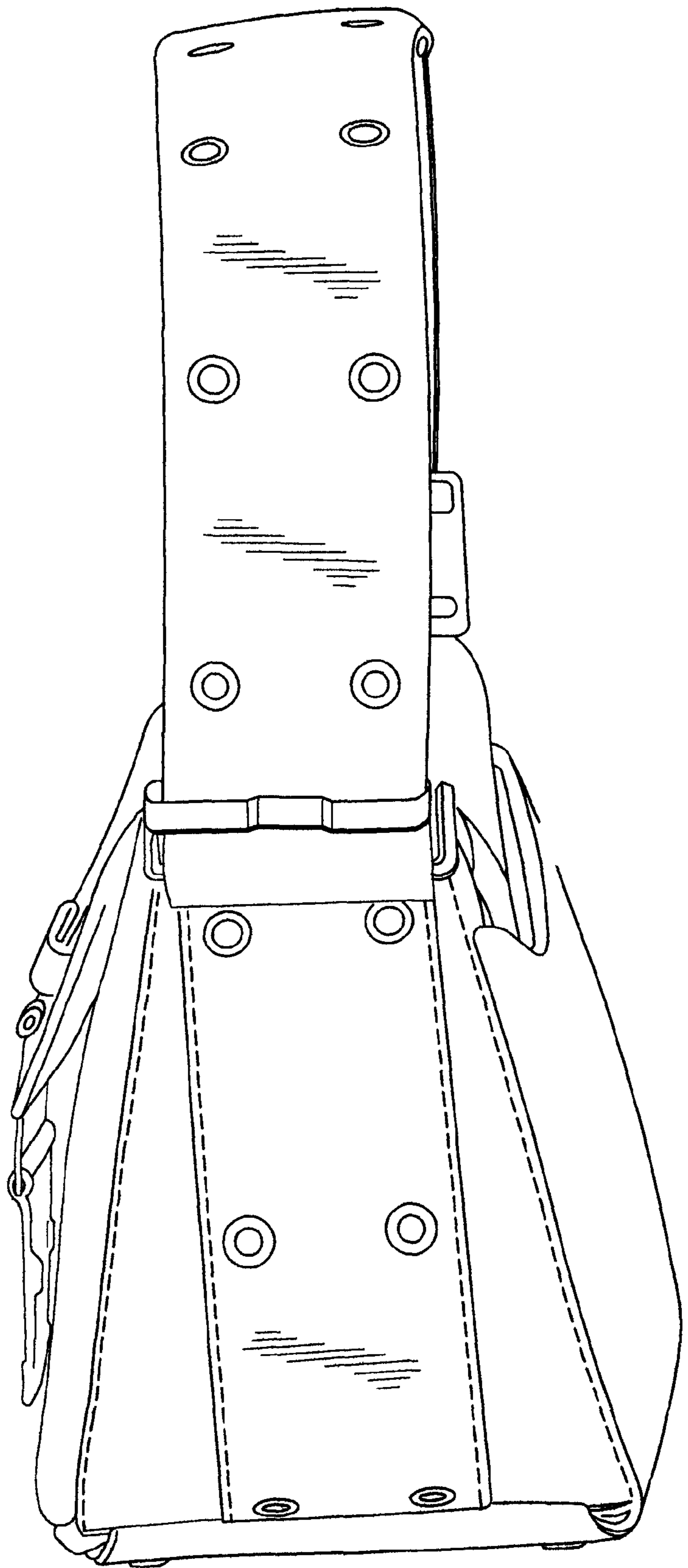


FIG. 5



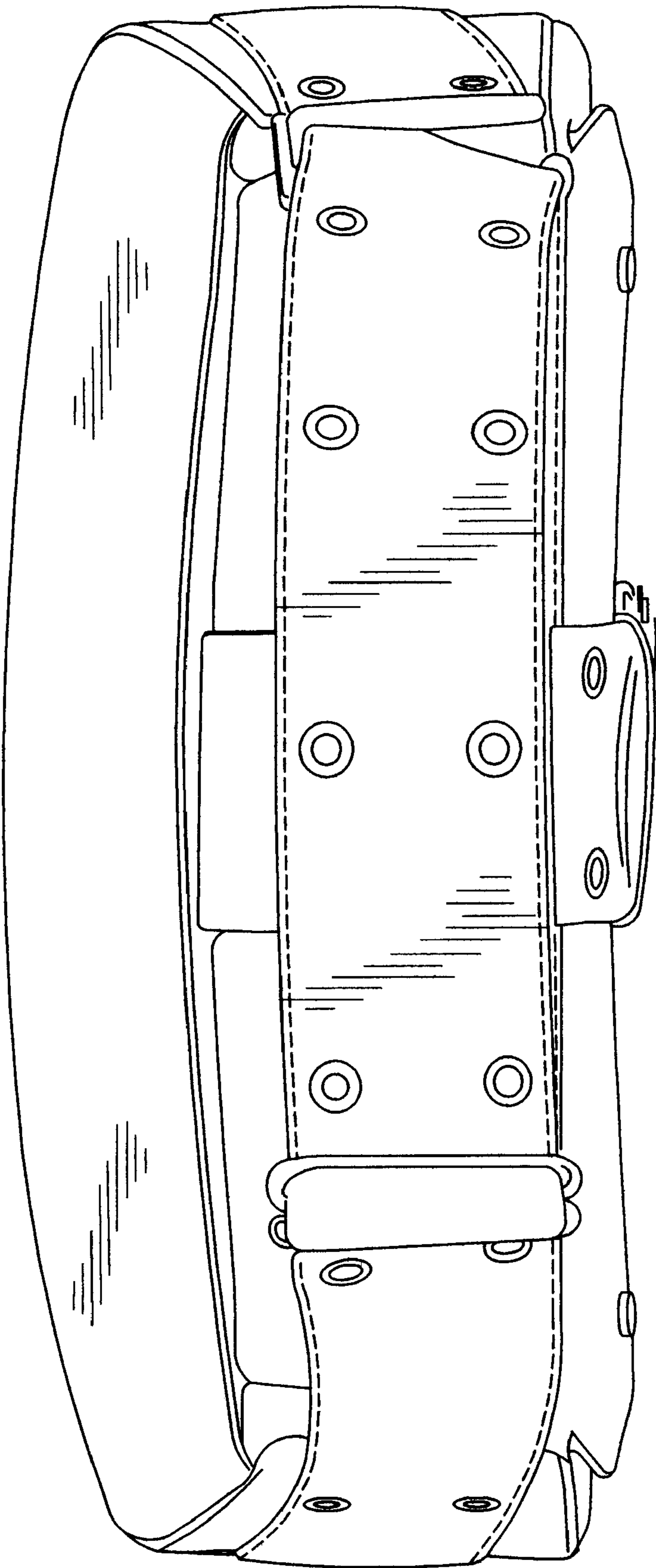


FIG. 6

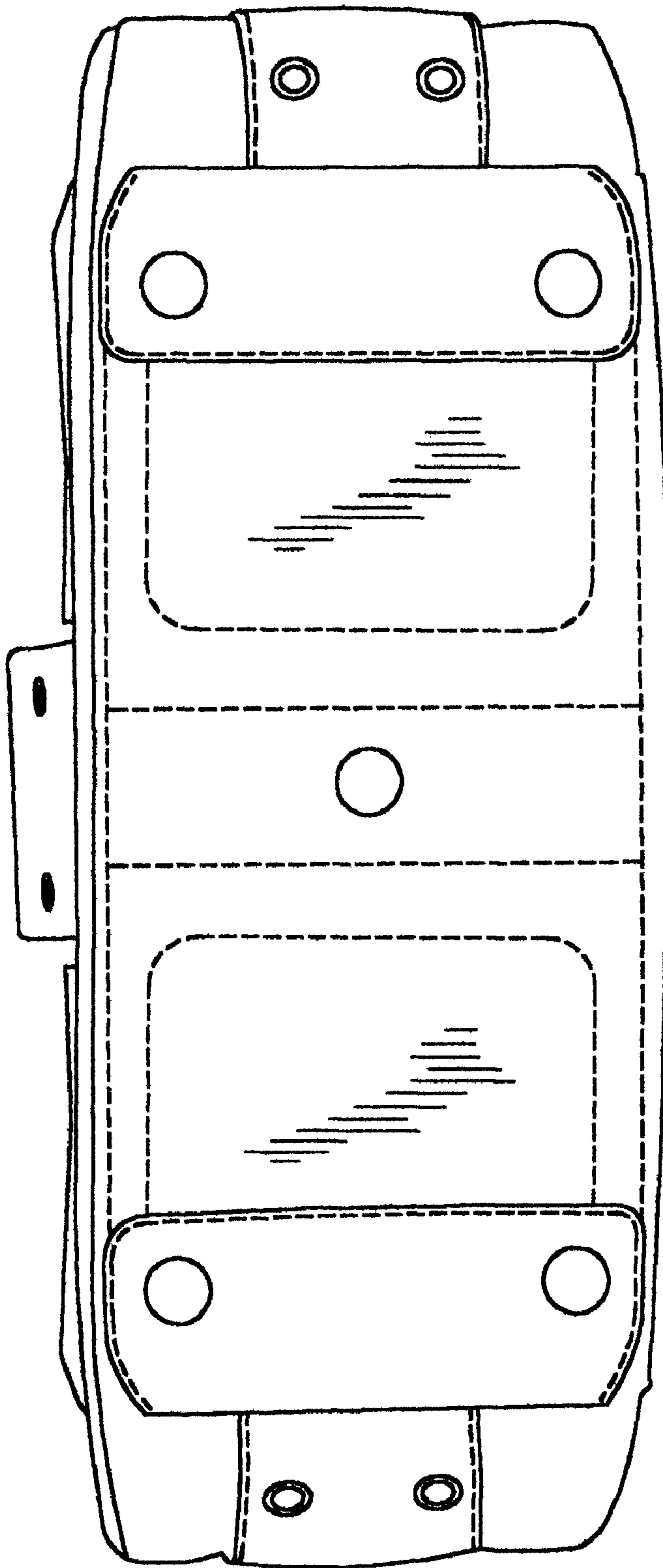


FIG. 7



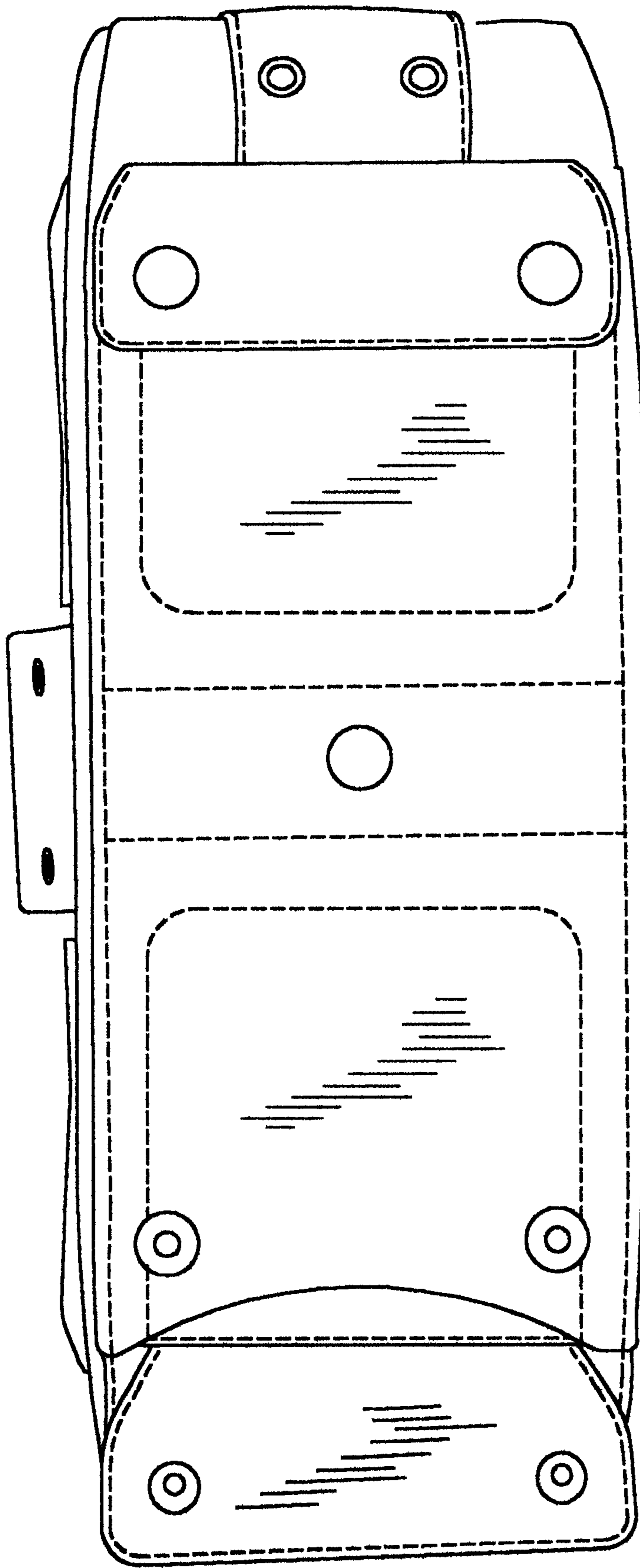


FIG. 8