



US00D471699S

(12) **United States Design Patent**
Peabody

(10) **Patent No.:** **US D471,699 S**

(45) **Date of Patent:** **** Mar. 18, 2003**

(54) **GOLF CLEAT STEM**

6,481,122 B2 * 11/2002 Brahler 36/134

(76) Inventor: **Steven R. Peabody**, P.O. Box 207,
Zionsville, IN (US) 46077

* cited by examiner

(**) Term: **14 Years**

Primary Examiner—Dominic Simone
(74) *Attorney, Agent, or Firm*—Richard L Huff

(21) Appl. No.: **29/155,410**

(57) **CLAIM**

(22) Filed: **Feb. 11, 2002**

The ornamental design for a golf cleat stem, as shown.

(51) **LOC (7) Cl.** **02-99**

DESCRIPTION

(52) **U.S. Cl.** **D2/962**

FIG. 1 is a bottom plan view of a golf cleat stem showing my new design;

(58) **Field of Search** D2/962; 36/134,

FIG. 2 is a top plan view thereof;

36/127, 59 R, 67 D, 67 R

FIG. 3 is a top perspective view thereof;

(56) **References Cited**

FIG. 4 is a bottom perspective view thereof;

U.S. PATENT DOCUMENTS

FIG. 5 is a side elevational view thereof; and,

D417,066 S * 11/1999 Curley, Jr. D2/962

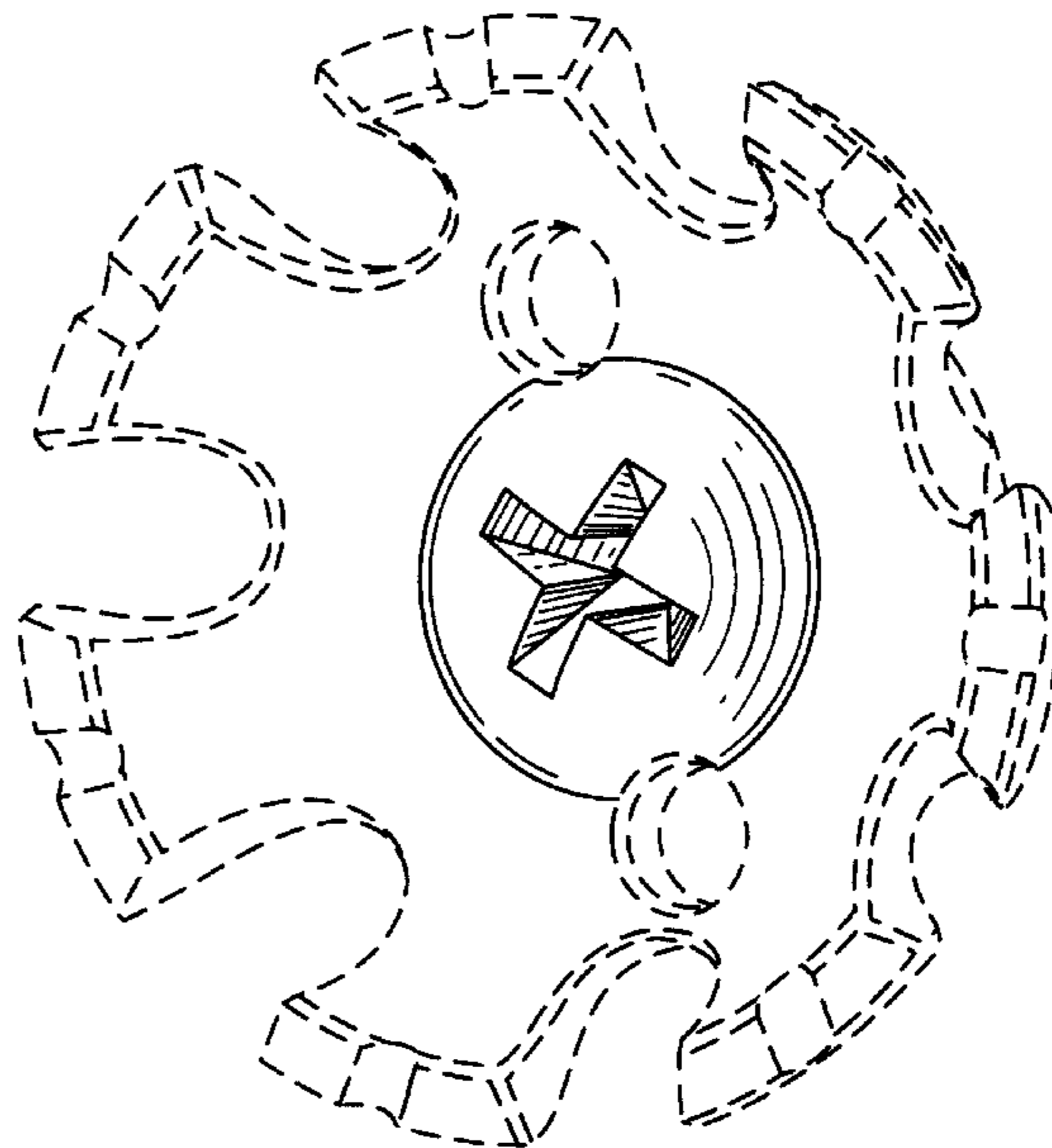
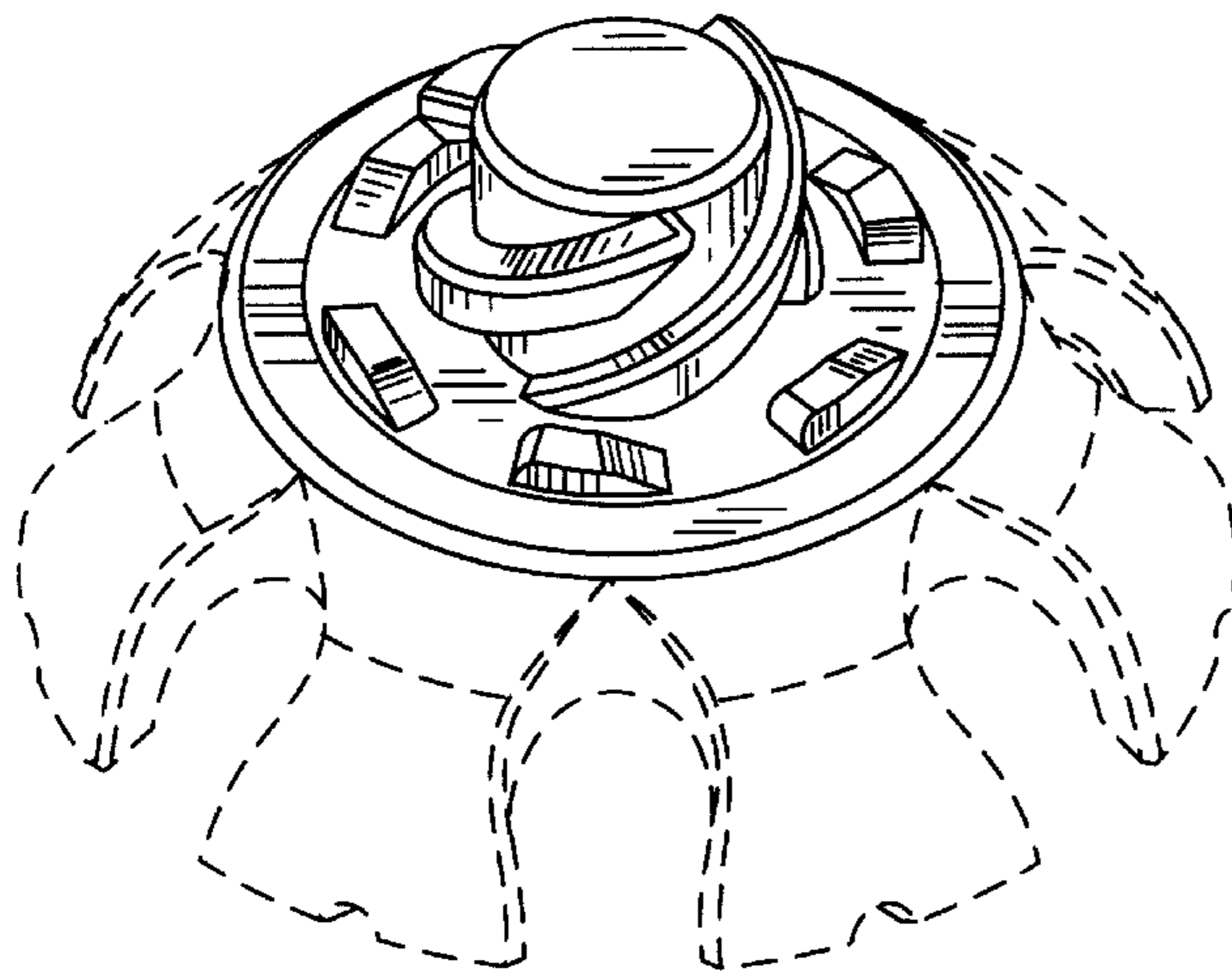
FIG. 6 is a side elevational view thereof, opposite that side of FIG. 5.

D436,248 S * 1/2001 Peabody D2/962

D449,920 S * 11/2001 Yu D2/962

D455,896 S * 4/2002 Peabody D2/962

1 Claim, 3 Drawing Sheets



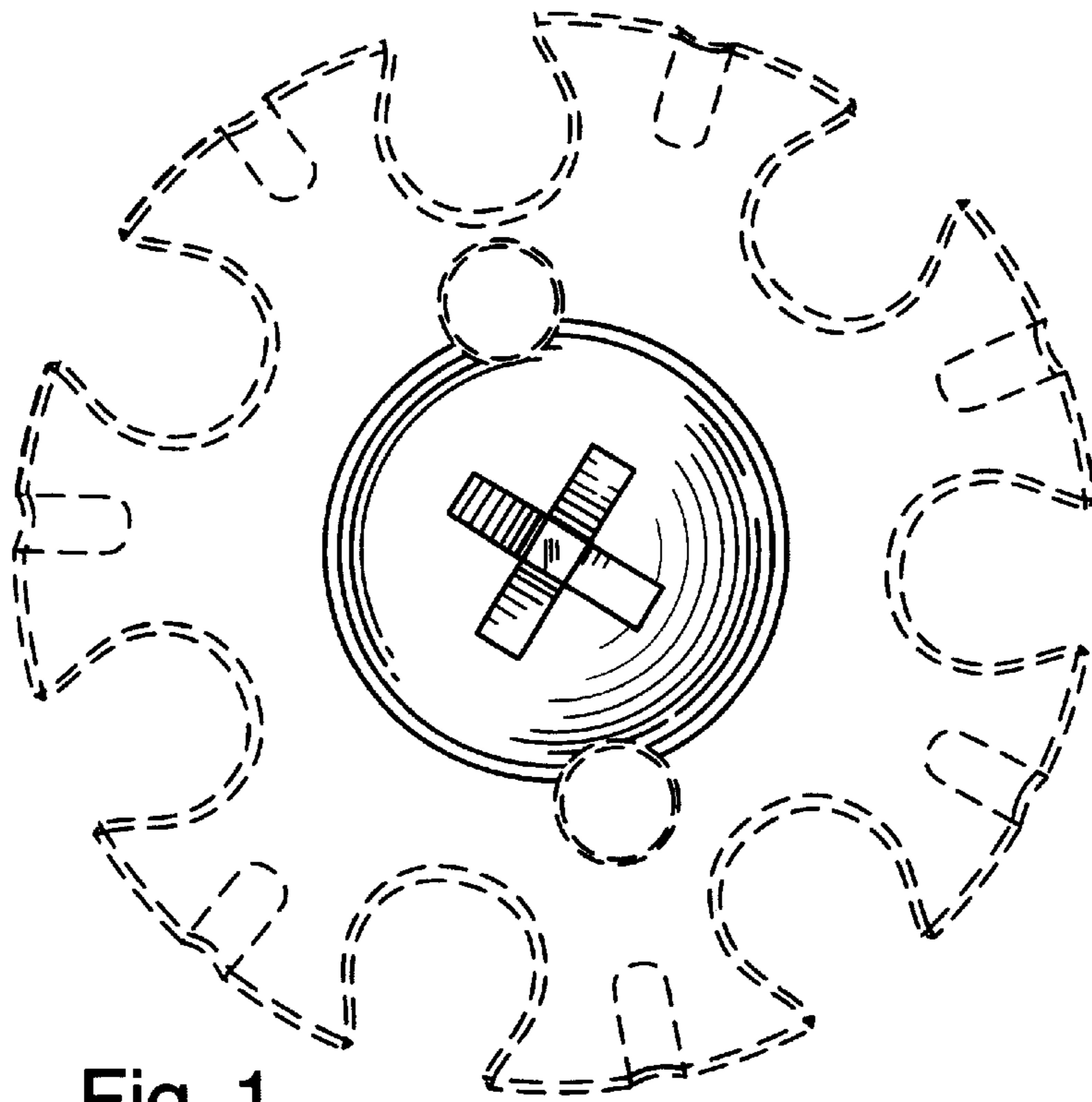


Fig. 1

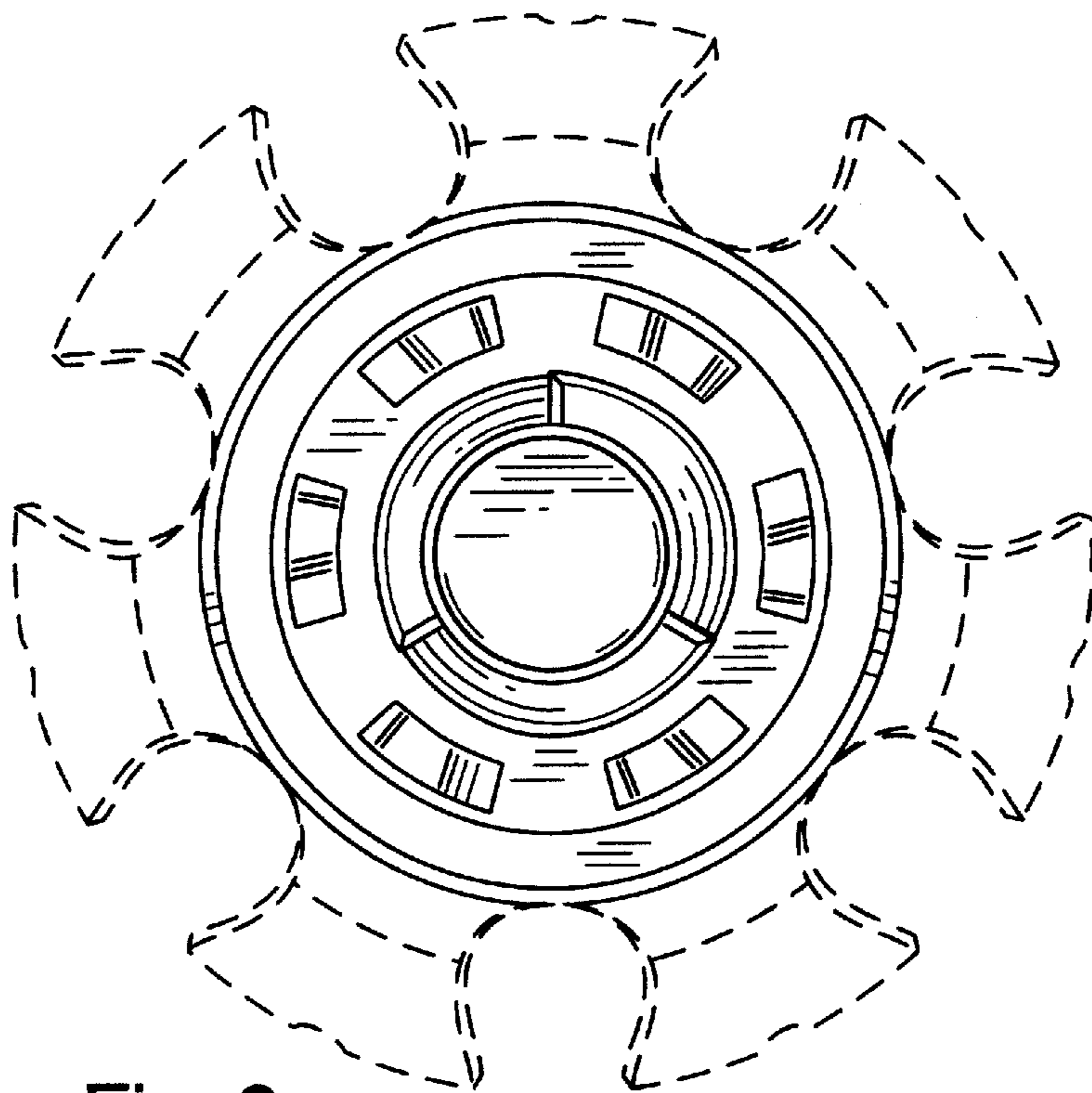


Fig. 2

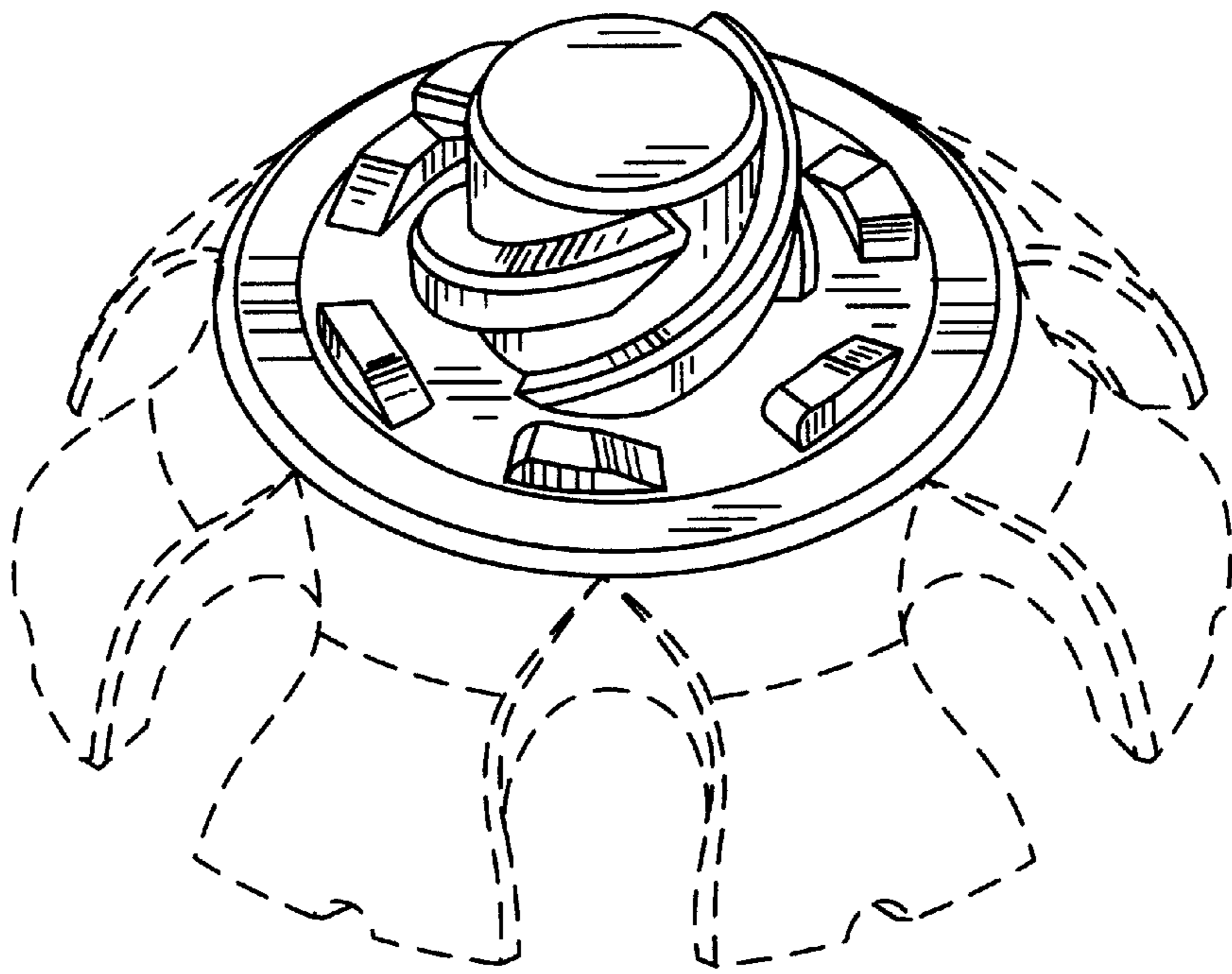


Fig. 3

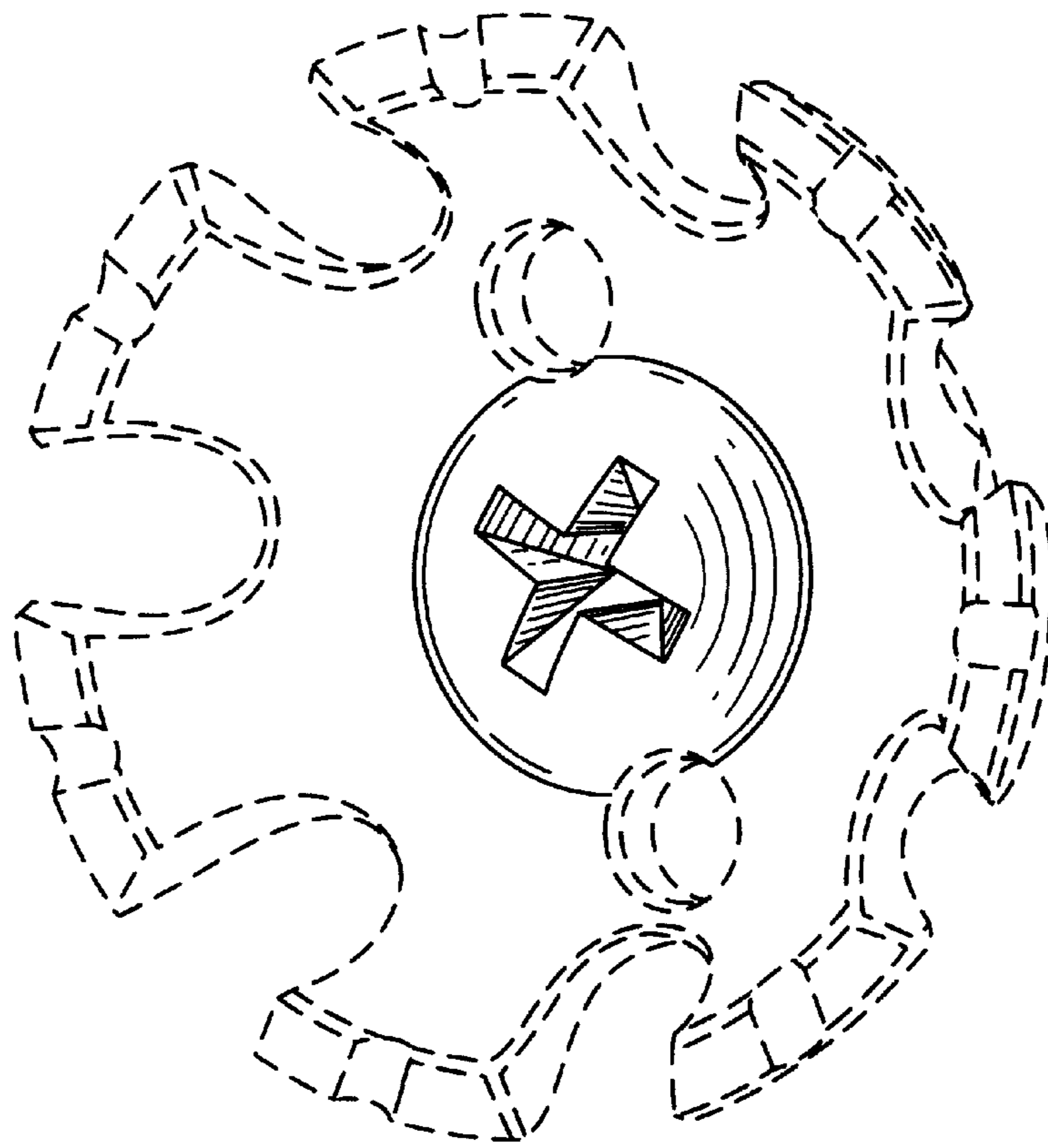


Fig. 4

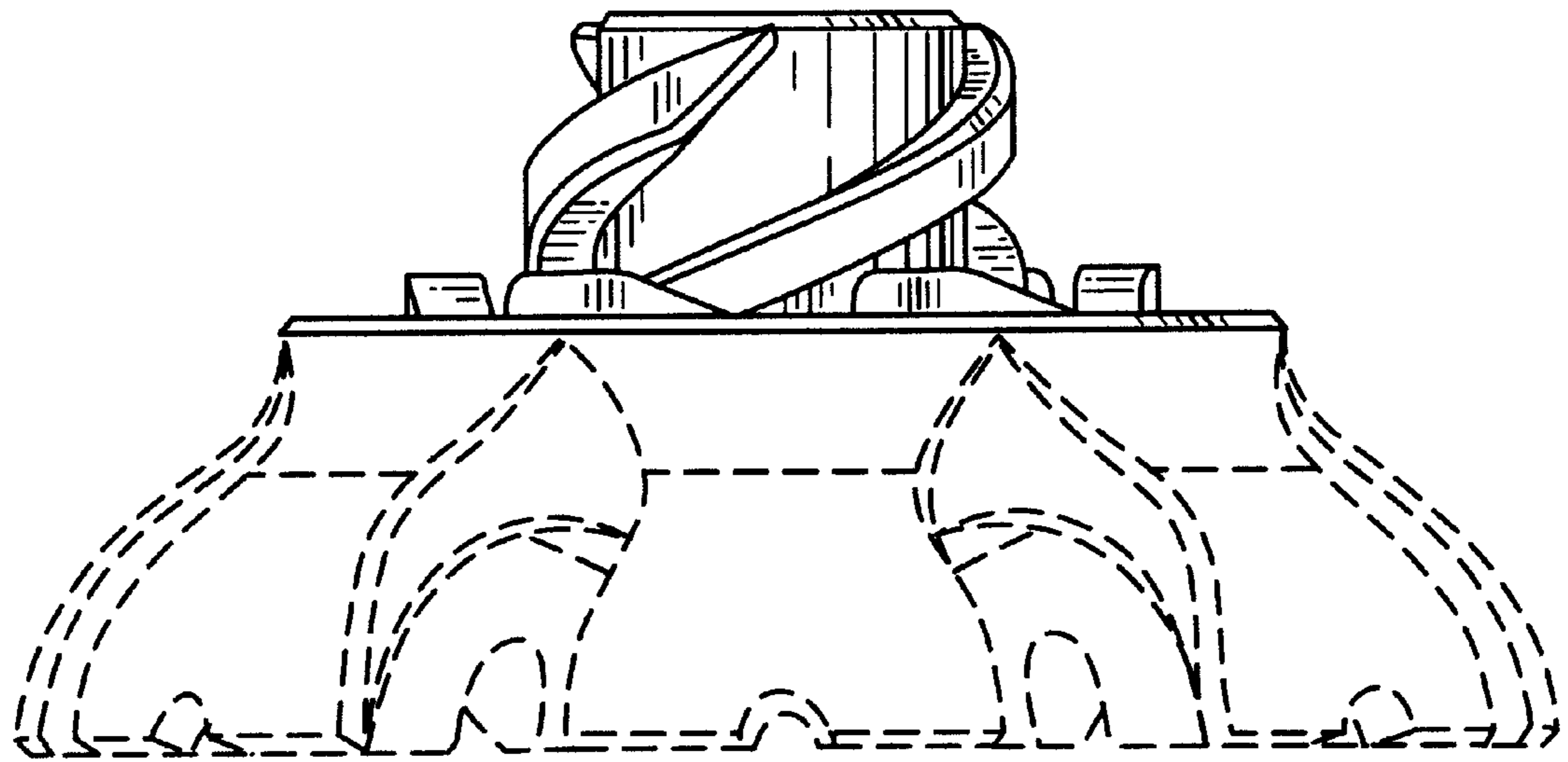


Fig. 5

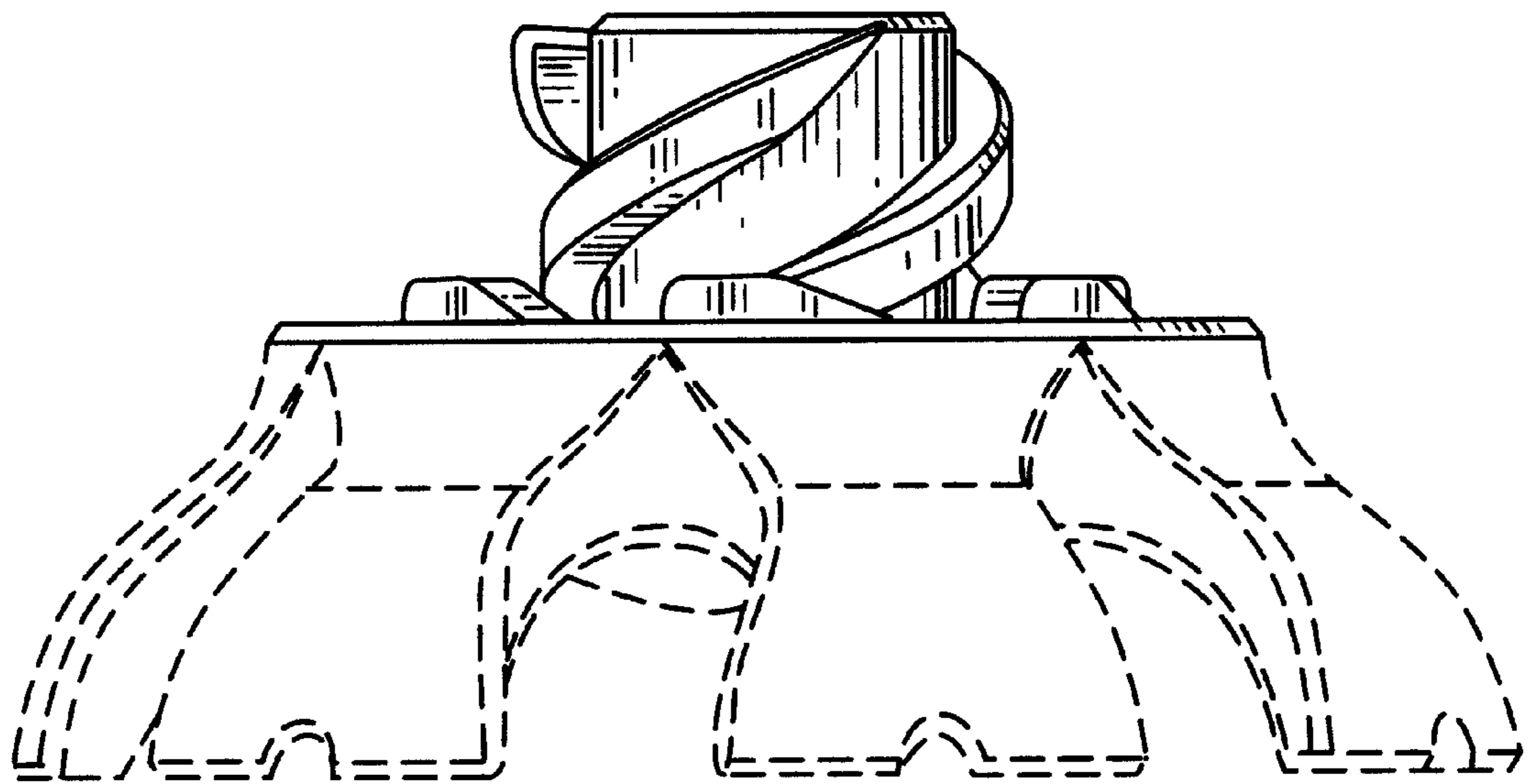


Fig. 6