



US00D471691S

(12) **United States Design Patent**  
**Ducolon**

(10) **Patent No.:** **US D471,691 S**

(45) **Date of Patent:** **\*\* Mar. 11, 2003**

(54) **OBSERVATIONAL MAILBOX WINDOW**

D294,039 S \* 2/1988 Francks ..... D19/3  
D332,166 S \* 12/1992 Williams ..... D99/29

(76) Inventor: **Bruce E. Ducolon**, 687 Austrian Ct.,  
Milford, OH (US) 45150

\* cited by examiner

(\*\*) Term: **14 Years**

*Primary Examiner*—Paula A. Mortimer  
(74) *Attorney, Agent, or Firm*—Charles R. Wilson

(21) Appl. No.: **29/155,983**

(57) **CLAIM**

(22) Filed: **Feb. 21, 2002**

The ornamental design for an observational mailbox window, as shown and described.

(51) **LOC (7) Cl.** ..... **99-00**

(52) **U.S. Cl.** ..... **D99/29**

(58) **Field of Search** ..... D99/29, 30, 31,  
D99/32; 232/17, 34, 35, 38, 43.1, 53; D19/3-5

**DESCRIPTION**

(56) **References Cited**

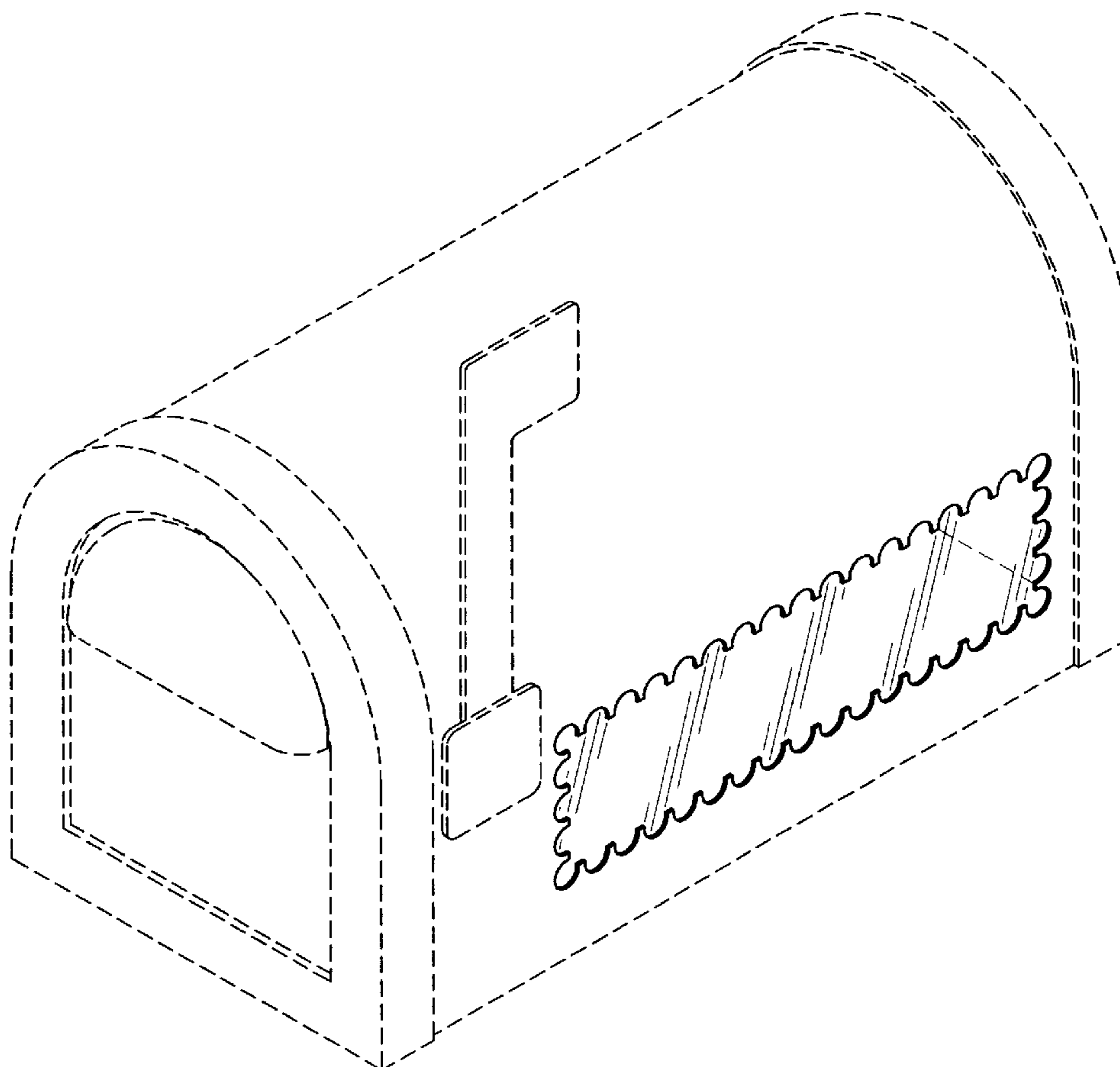
**U.S. PATENT DOCUMENTS**

1,483,077	A	*	2/1924	Cole	.....	232/45
1,542,217	A	*	6/1925	Cole	.....	232/17
2,438,785	A	*	3/1948	McKallick	.....	232/35
2,452,667	A	*	11/1948	Lambert	.....	232/174 R
2,552,628	A	*	5/1951	Gallaher	.....	232/17
2,561,007	A	*	7/1951	Bierig	.....	232/17
2,578,691	A	*	12/1951	Gieseler	.....	232/38
3,107,848	A		10/1963	Penta		
4,244,512	A		1/1981	Wise		

FIG. 1 is a perspective view of an observational mailbox window mounted on a mailbox;  
FIG. 2 is an elevational side view thereof;  
FIG. 3 is an elevational front view of the mailbox;  
FIG. 4 is an elevational back view of the mailbox;  
FIG. 5 is a bottom plan view of the mailbox; and,  
FIG. 6 is an elevational view of an opposite side of the mailbox showing another observational mailbox window identical in design to the observational mailbox window of FIG. 2.

The broken line showing of a mailbox is for illustrative purposes only and forms no part of the claimed design.

**1 Claim, 5 Drawing Sheets**



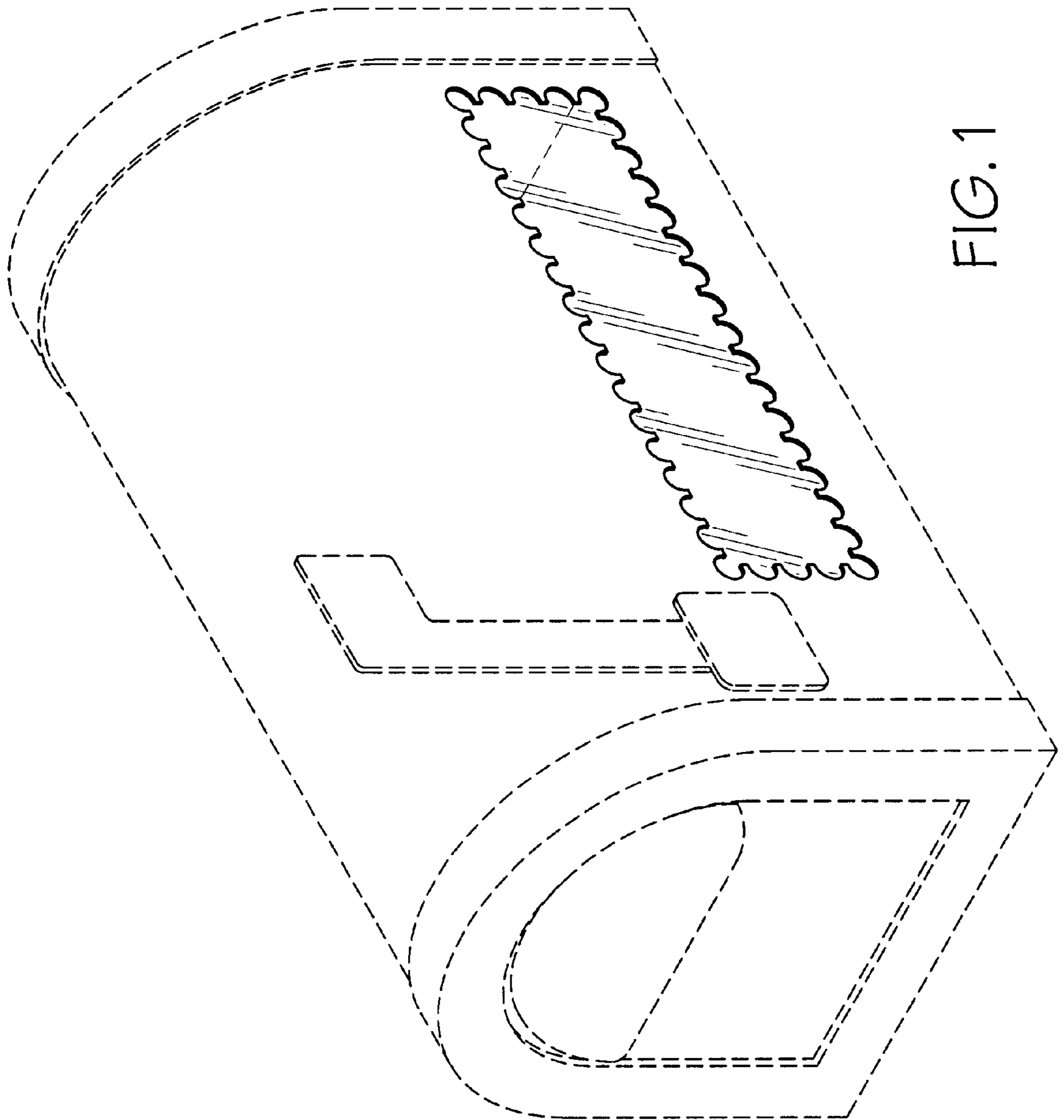


FIG. 1

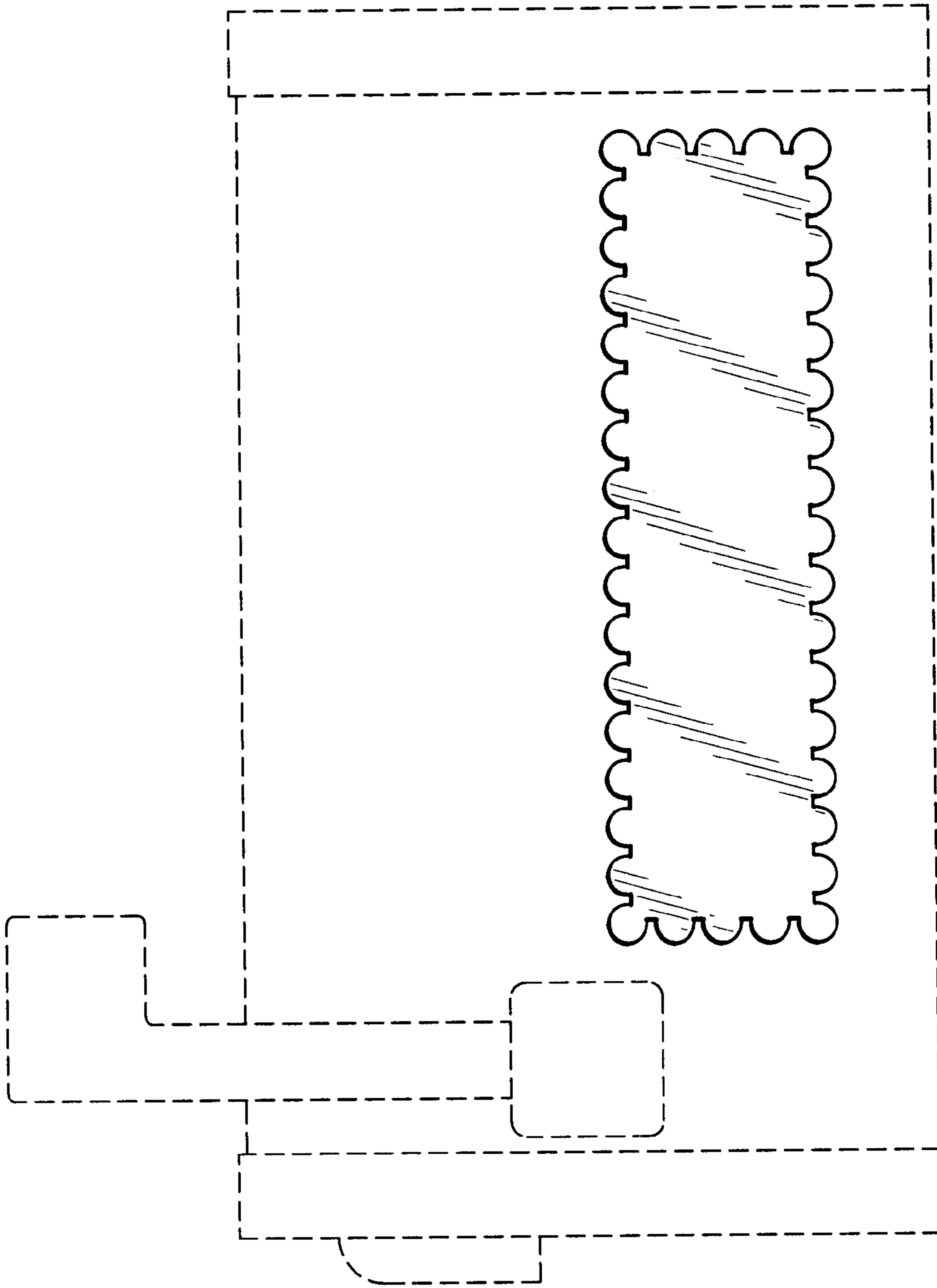


FIG. 2

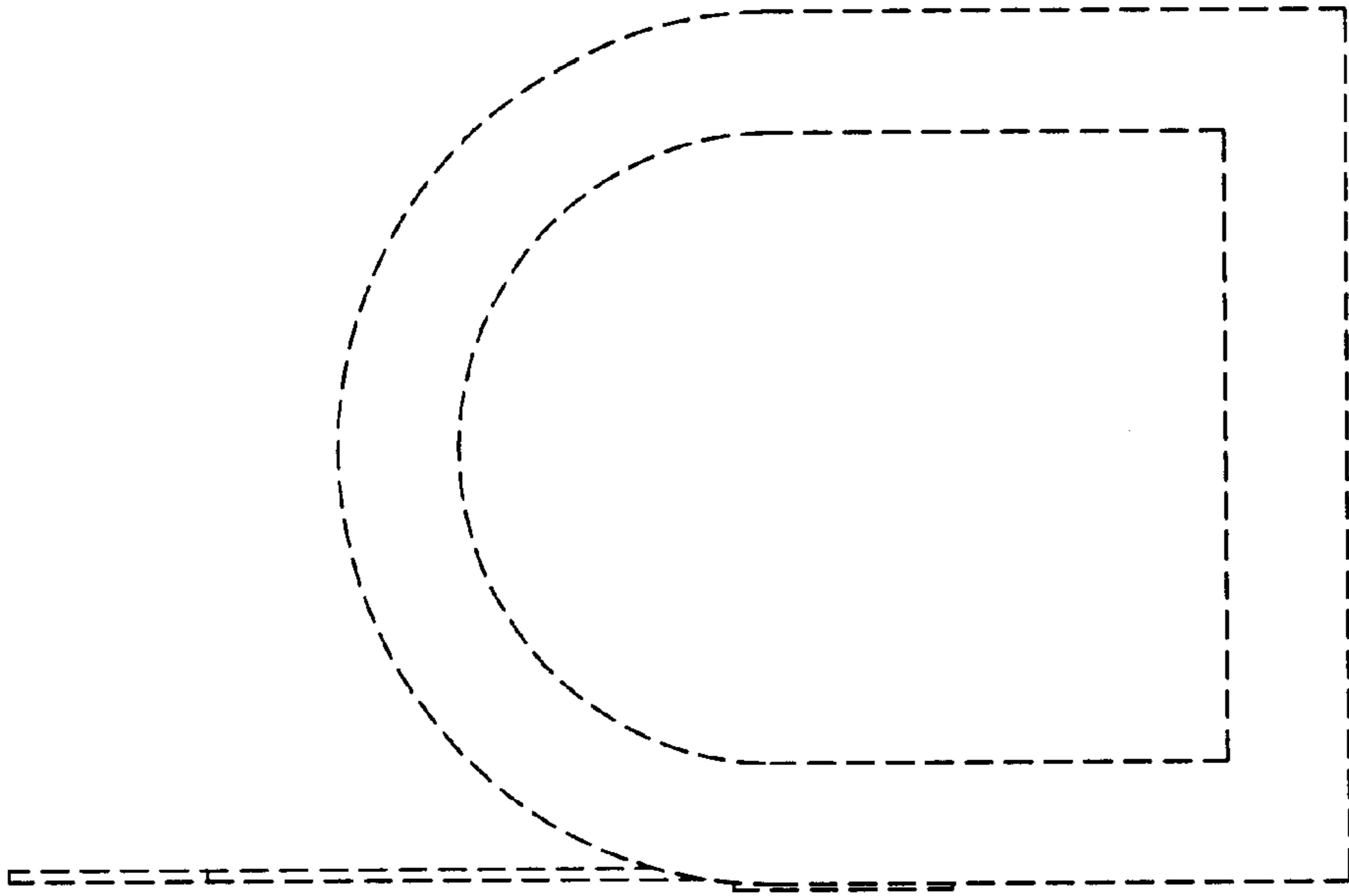


FIG. 4

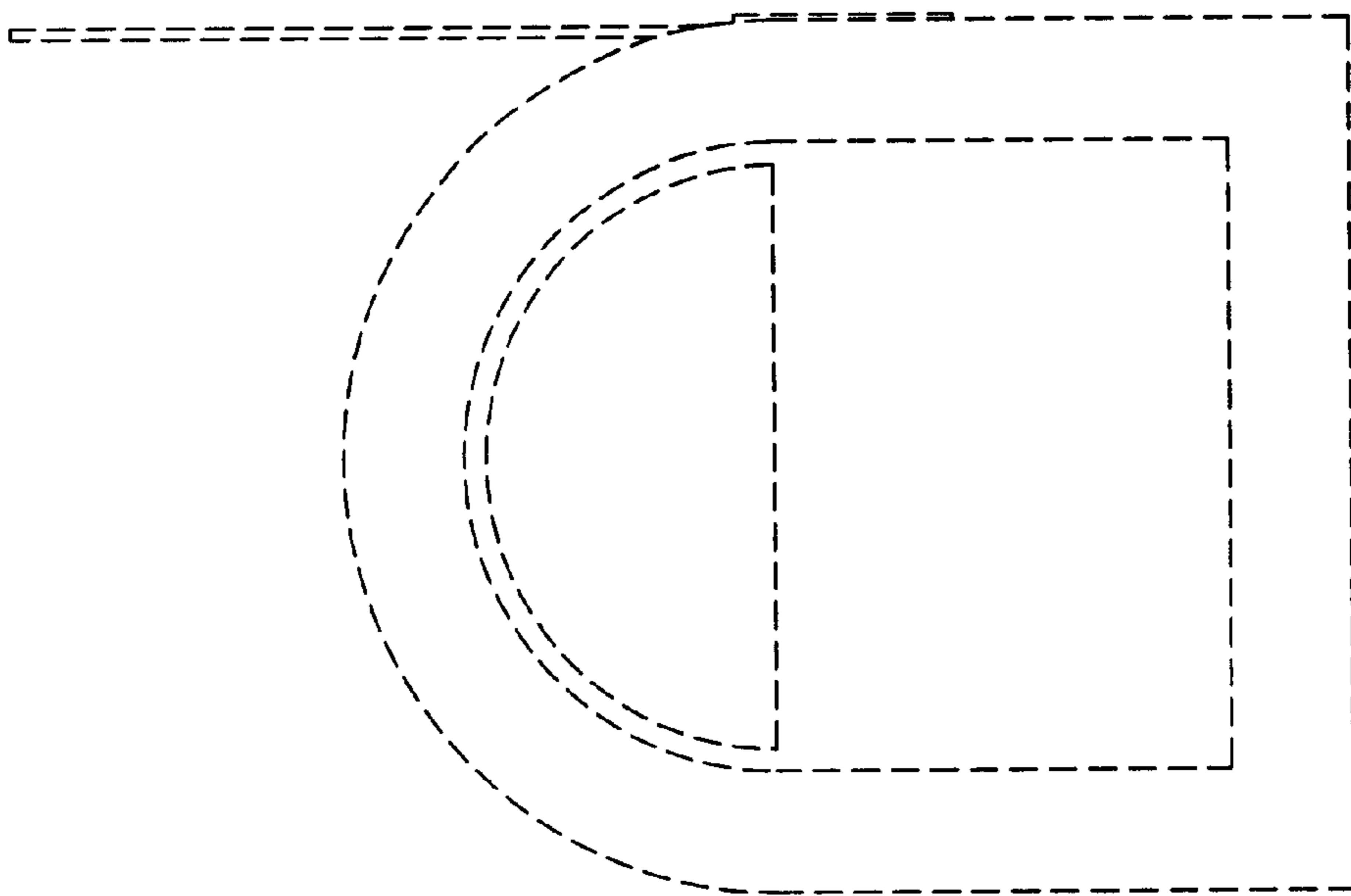


FIG. 3

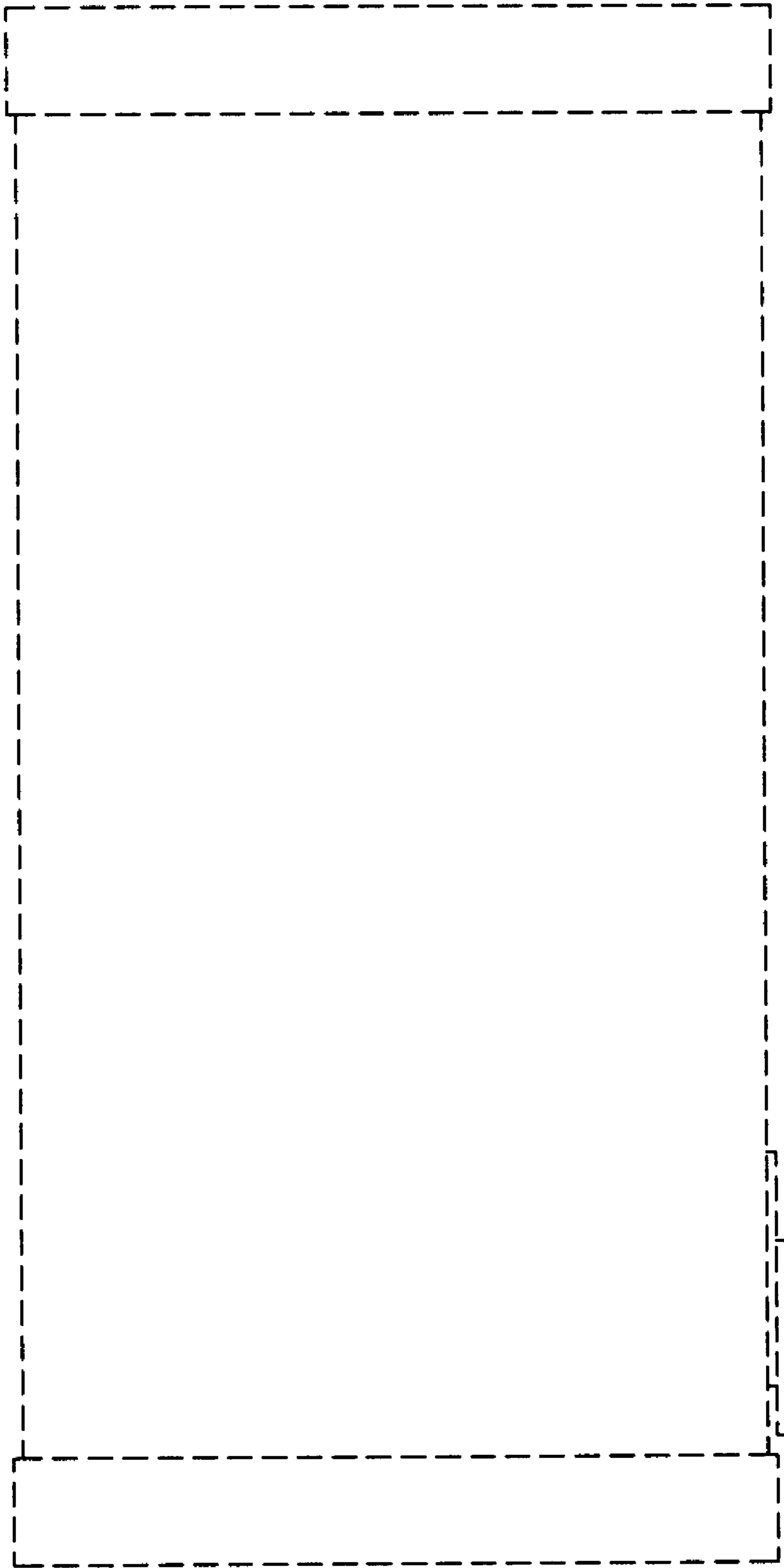


FIG. 5

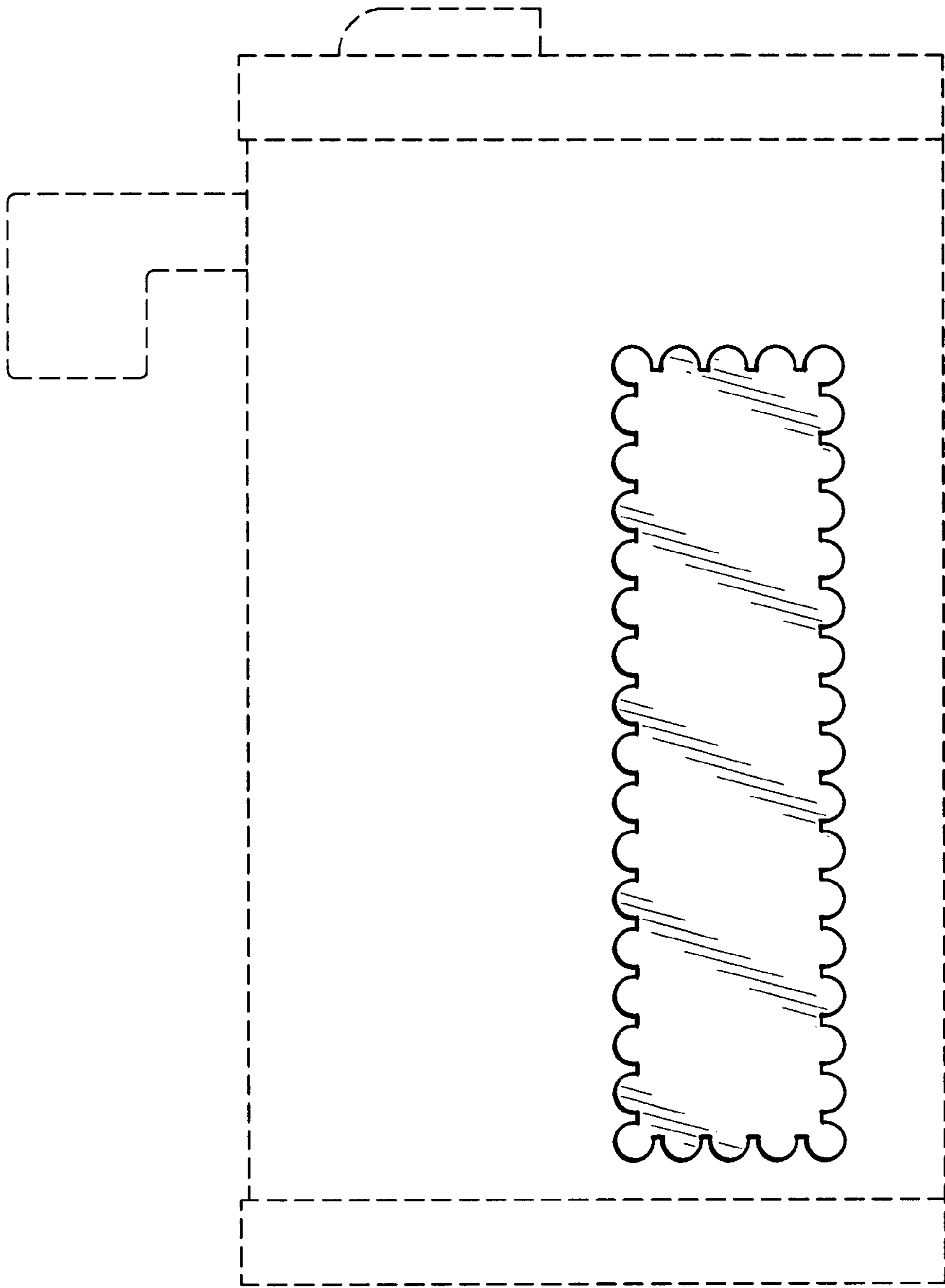


FIG. 6