



US00D471689S

(12) **United States Design Patent**  
**Shibata et al.**

(10) **Patent No.:** **US D471,689 S**

(45) **Date of Patent:** **\*\* Mar. 11, 2003**

(54) **FORKLIFT**

(75) **Inventors:** **Naoki Shibata, Aichi-ken (JP);**  
**Takafumi Nakatani, Aichi-ken (JP);**  
**Masafumi Abe, Kanagawa-ken (JP)**

(73) **Assignee:** **Mitsubishi Heavy Industries, Ltd.,**  
**Tokyo (JP)**

(\*\*) **Term:** **14 Years**

(21) **Appl. No.:** **29/153,980**

(22) **Filed:** **Jan. 15, 2002**

(30) **Foreign Application Priority Data**

Jul. 16, 2001 (JP) ..... 2001-020697

(51) **LOC (7) Cl.** ..... **12-05**

(52) **U.S. Cl.** ..... **D34/34**

(58) **Field of Search** ..... D34/28, 34; 414/572,  
414/592, 631; 180/89.12, 89.13, 89.17;  
187/222, 237; D15/30, 31, 33

(56) **References Cited**

**U.S. PATENT DOCUMENTS**

D234,050 S	*	1/1975	Crawford et al.	.....	D34/34
4,207,967 A	*	6/1980	Stedman	.....	187/222
D257,432 S	*	10/1980	Erlacher	.....	D34/34
4,506,750 A	*	3/1985	Leskovec	.....	180/89.17
D327,356 S	*	6/1992	Laatsch	.....	D34/34
5,184,699 A	*	2/1993	Aoki et al.	.....	187/237
D338,764 S	*	8/1993	Furuta et al.	.....	D34/34
D346,259 S	*	4/1994	Laatsch	.....	D34/34
D353,704 S	*	12/1994	Bhambra	.....	D34/34
D353,931 S	*	12/1994	Kobayakawa et al	.....	D34/34
D354,604 S	*	1/1995	Soederberg	.....	D34/34
D357,673 S	*	4/1995	Heiler	.....	D34/34
D358,013 S	*	5/1995	Heiler	.....	D34/34
D361,645 S	*	8/1995	Heiler	.....	D34/34
D362,099 S	*	9/1995	Heiler	.....	D34/34

D362,329 S	*	9/1995	Heiler	.....	D34/34
D367,750 S	*	3/1996	Choi et al.	.....	D34/34
D368,570 S	*	4/1996	Kim et al.	.....	D34/34
D374,752 S	*	10/1996	Lee et al.	.....	D34/34
D376,242 S	*	12/1996	Jung et al.	.....	D34/34
D384,476 S	*	9/1997	Rick et al.	.....	D34/34
D386,872 S	*	11/1997	Rick et al.	.....	D34/34
D386,875 S	*	11/1997	Kim	.....	D34/34
D386,877 S	*	11/1997	Russey et al.	.....	D34/34
D389,981 S	*	1/1998	Donaldson	.....	D34/34
D389,982 S	*	1/1998	Kim	.....	D34/34
D393,134 S	*	3/1998	Mariano	.....	D34/34
D393,516 S	*	4/1998	Hahn et al.	.....	D34/34
D395,115 S	*	6/1998	Russey et al.	.....	D34/34
D395,532 S	*	6/1998	Kim	.....	D34/34
D396,928 S	*	8/1998	Hahn et al.	.....	D34/34
D412,385 S	*	7/1999	Murakami et al.	.....	D34/34
D427,409 S	*	6/2000	Sato et al.	.....	D34/34
6,092,976 A	*	7/2000	Kamiya	.....	414/631
D448,136 S	*	9/2001	Yurushi et al.	.....	D34/34
D452,598 S	*	12/2001	Sato	.....	D34/34

\* cited by examiner

*Primary Examiner*—Cynthia E. Ramirez  
(74) *Attorney, Agent, or Firm*—Alston & Bird LLP

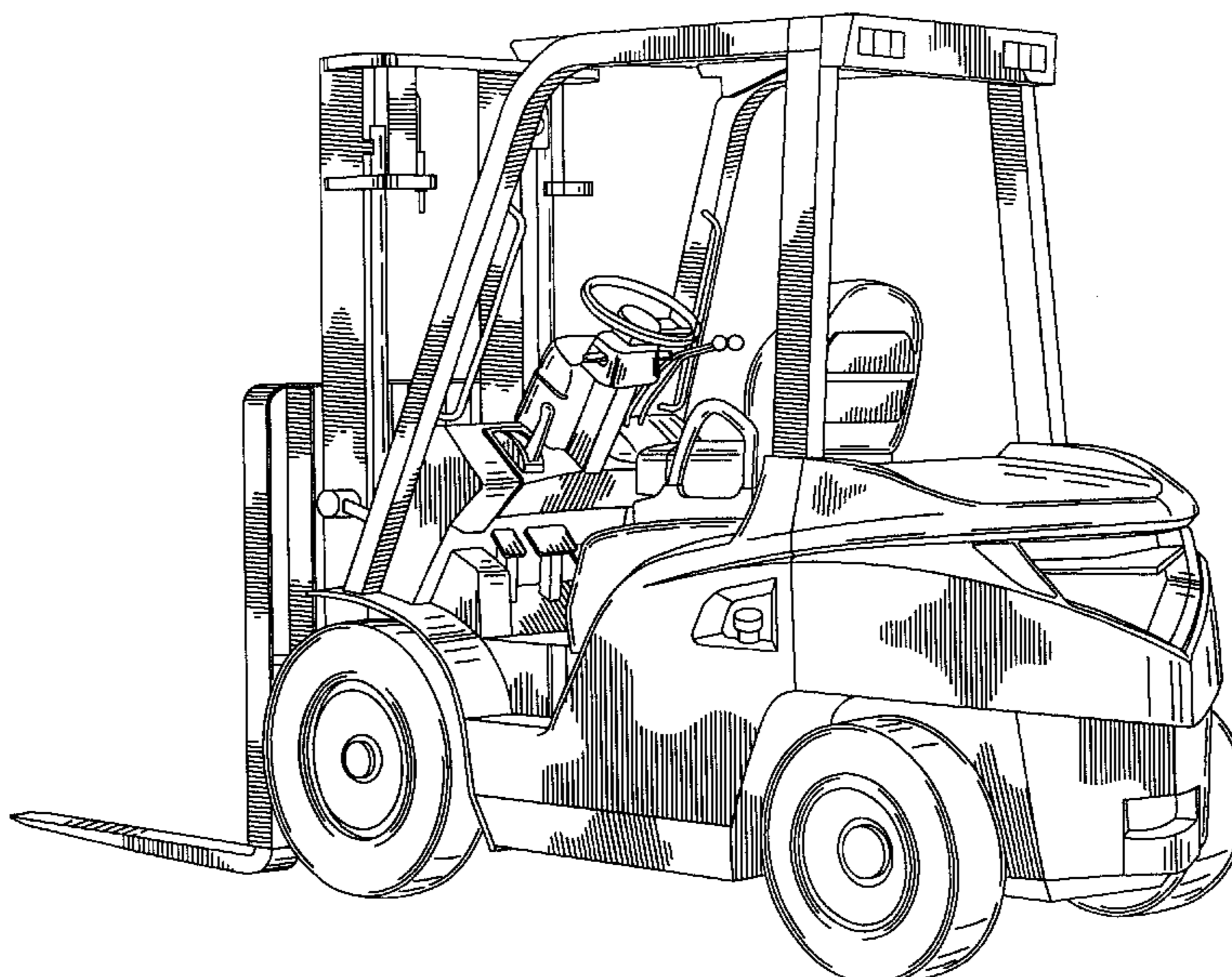
(57) **CLAIM**

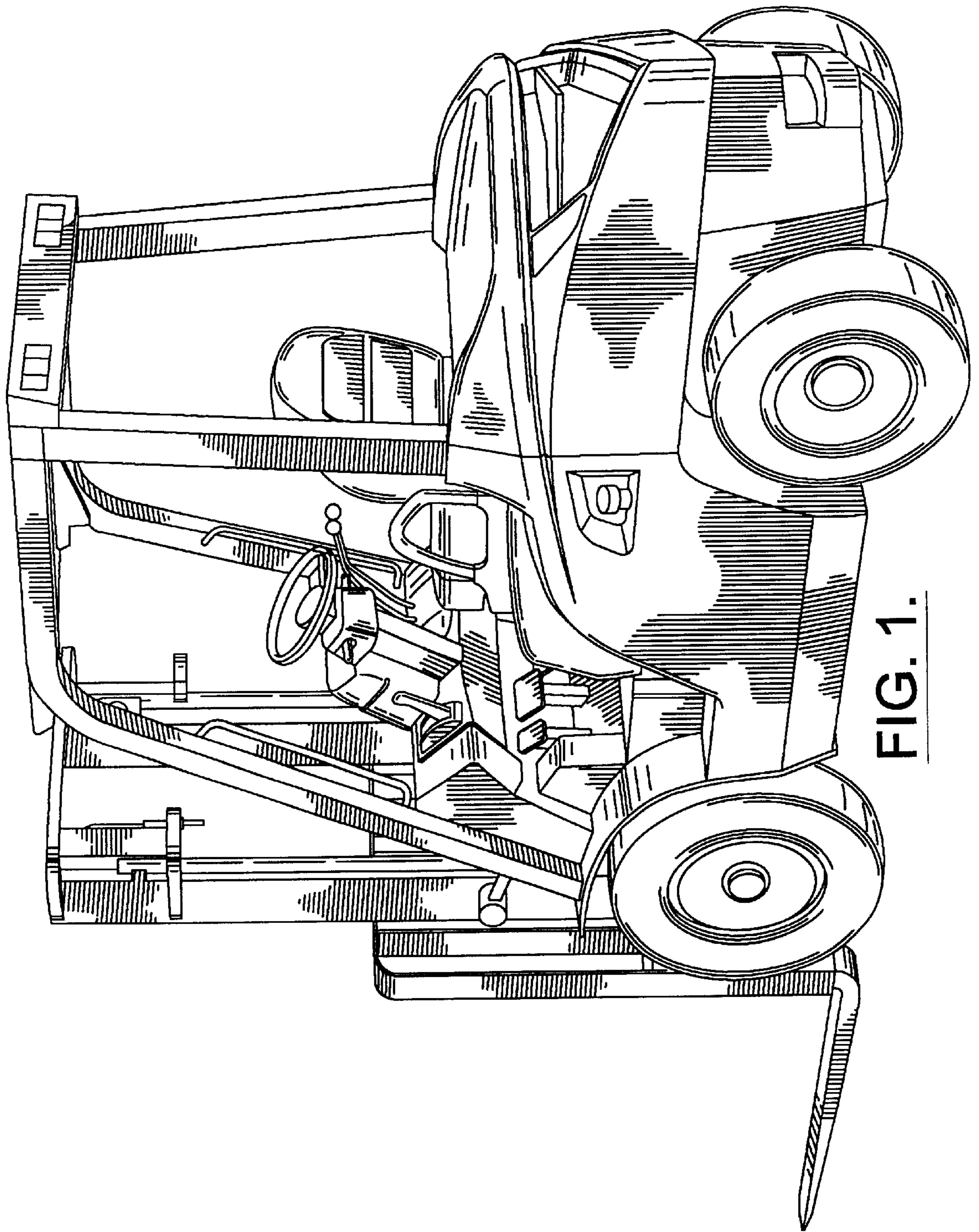
The ornamental design for a forklift, as shown and described.

**DESCRIPTION**

FIG. 1 is a rear, right perspective view of a forklift showing an exemplary embodiment of our new design; FIG. 2 is a right elevational view thereof; FIG. 3 is a left elevational view thereof; FIG. 4 is a top plan view thereof; FIG. 5 is a bottom plan view thereof; FIG. 6 is a front elevational view thereof; and, FIG. 7 is a rear elevational view thereof.

**1 Claim, 6 Drawing Sheets**







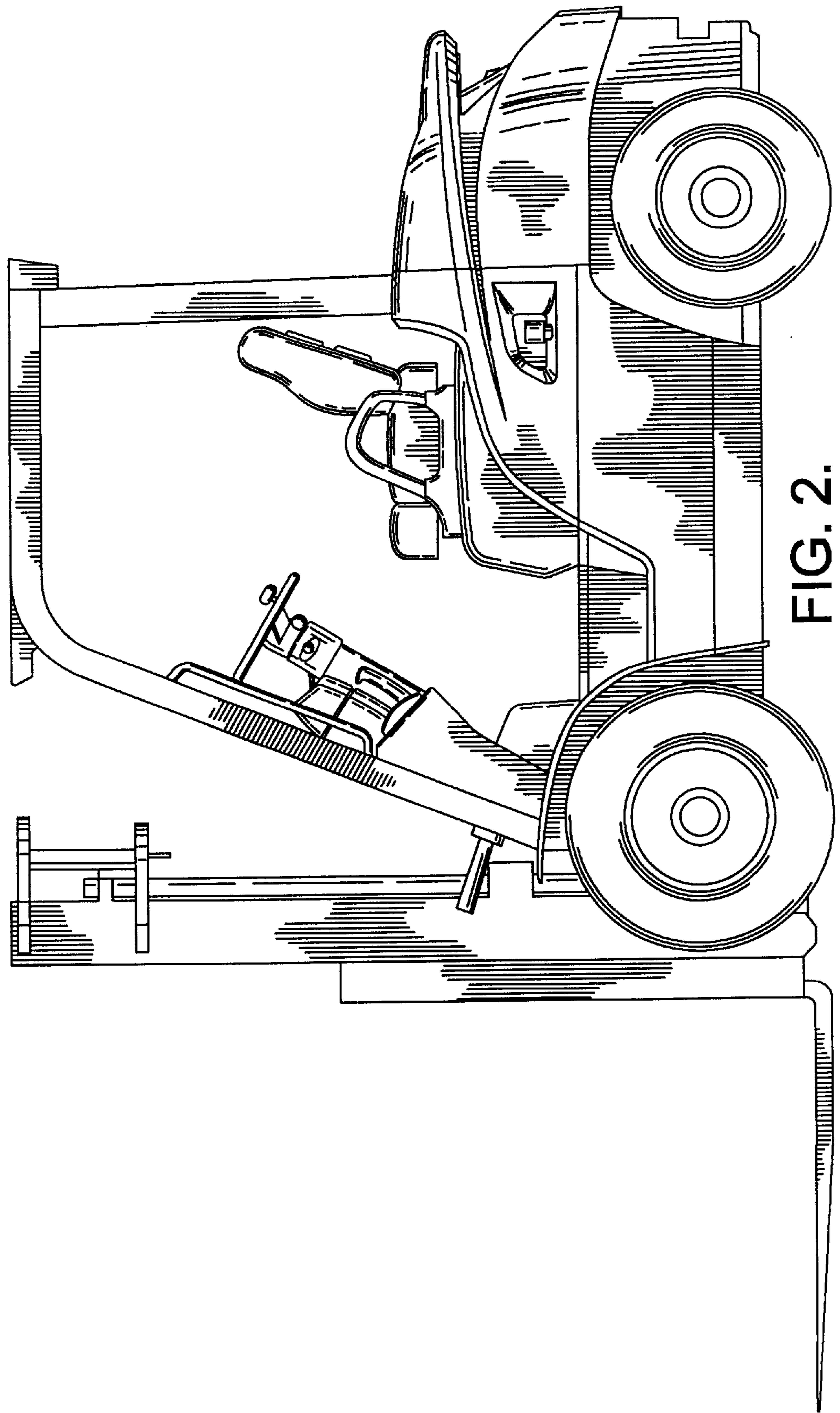


FIG. 2.

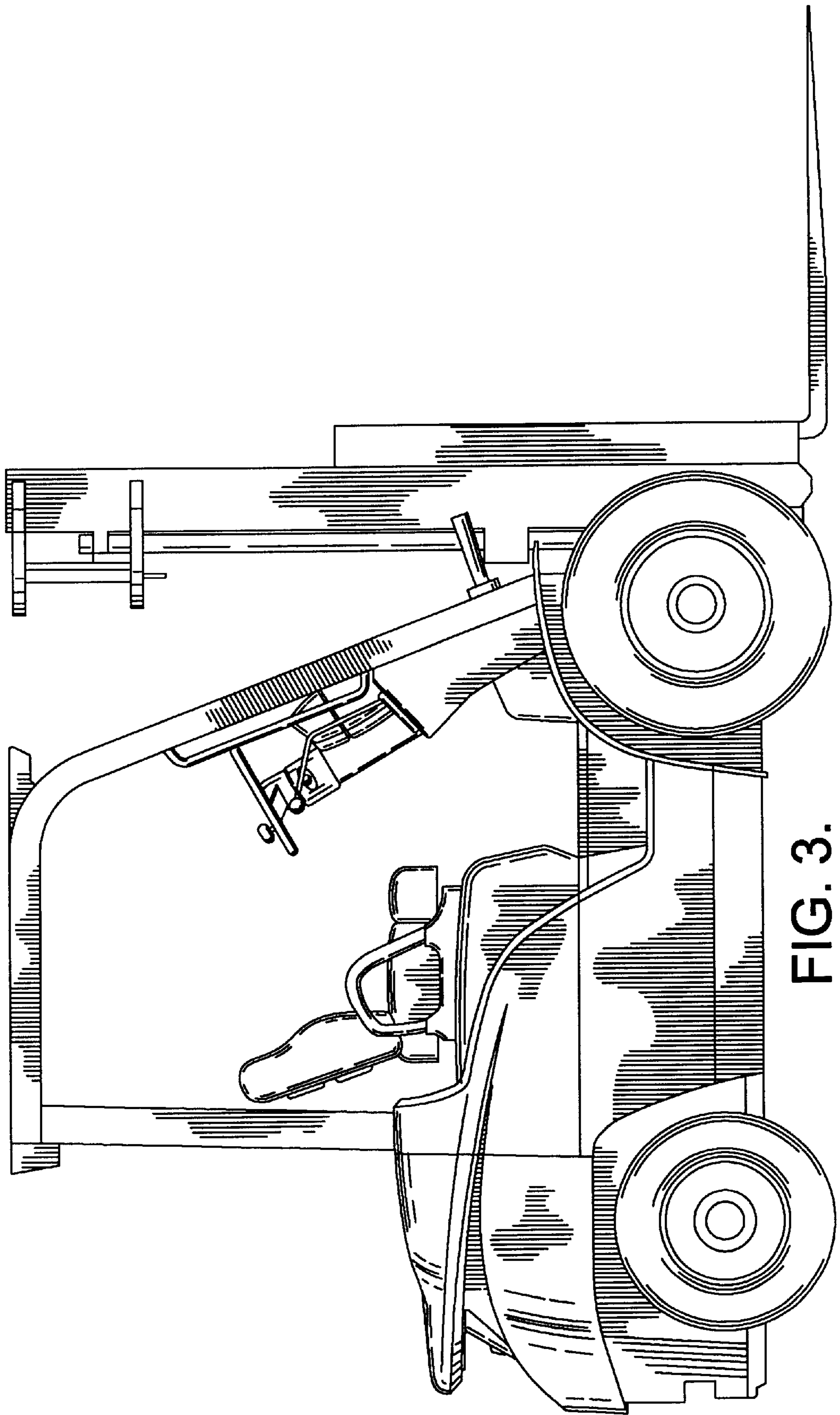


FIG. 3.

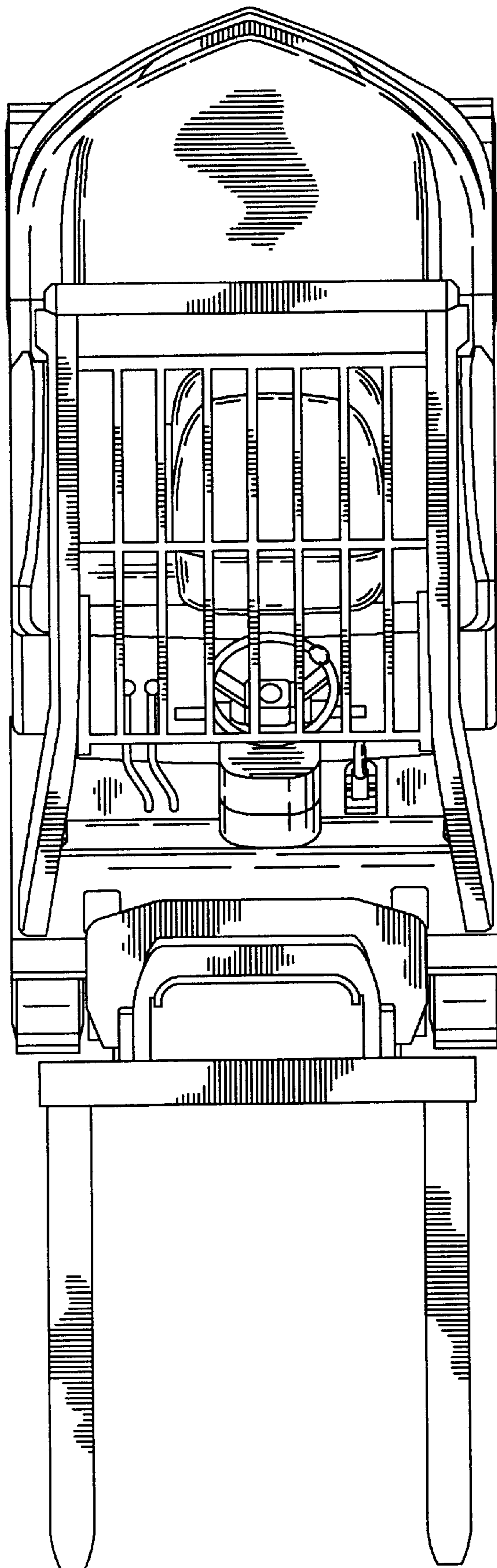


FIG. 4.

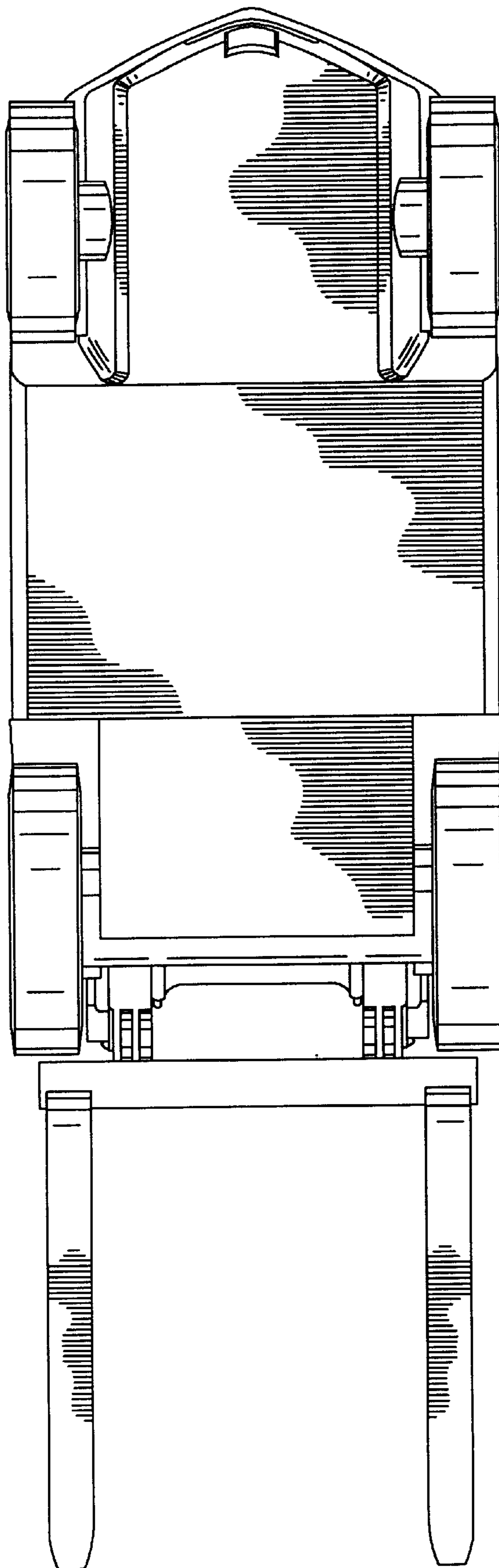


FIG. 5.

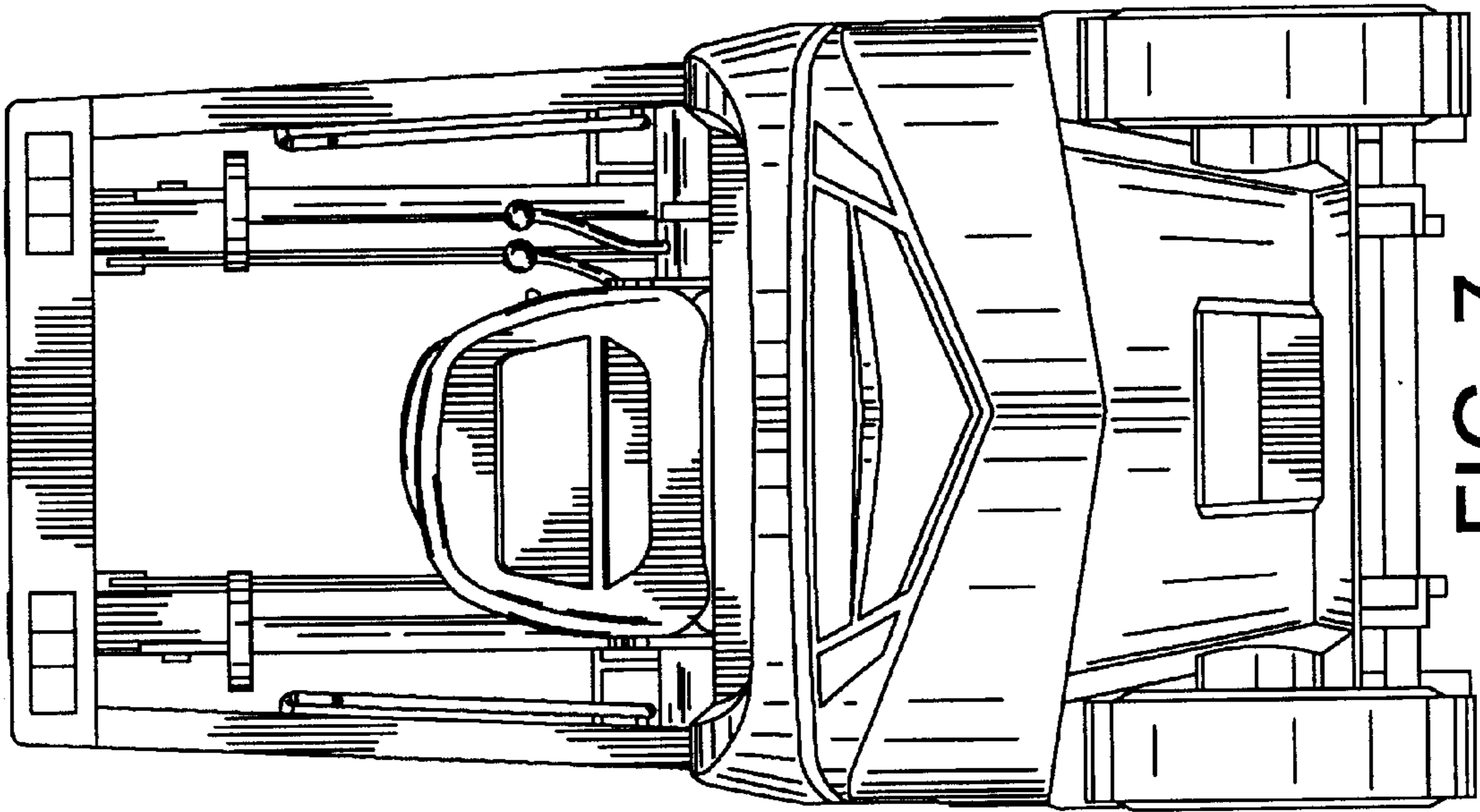


FIG. 7.

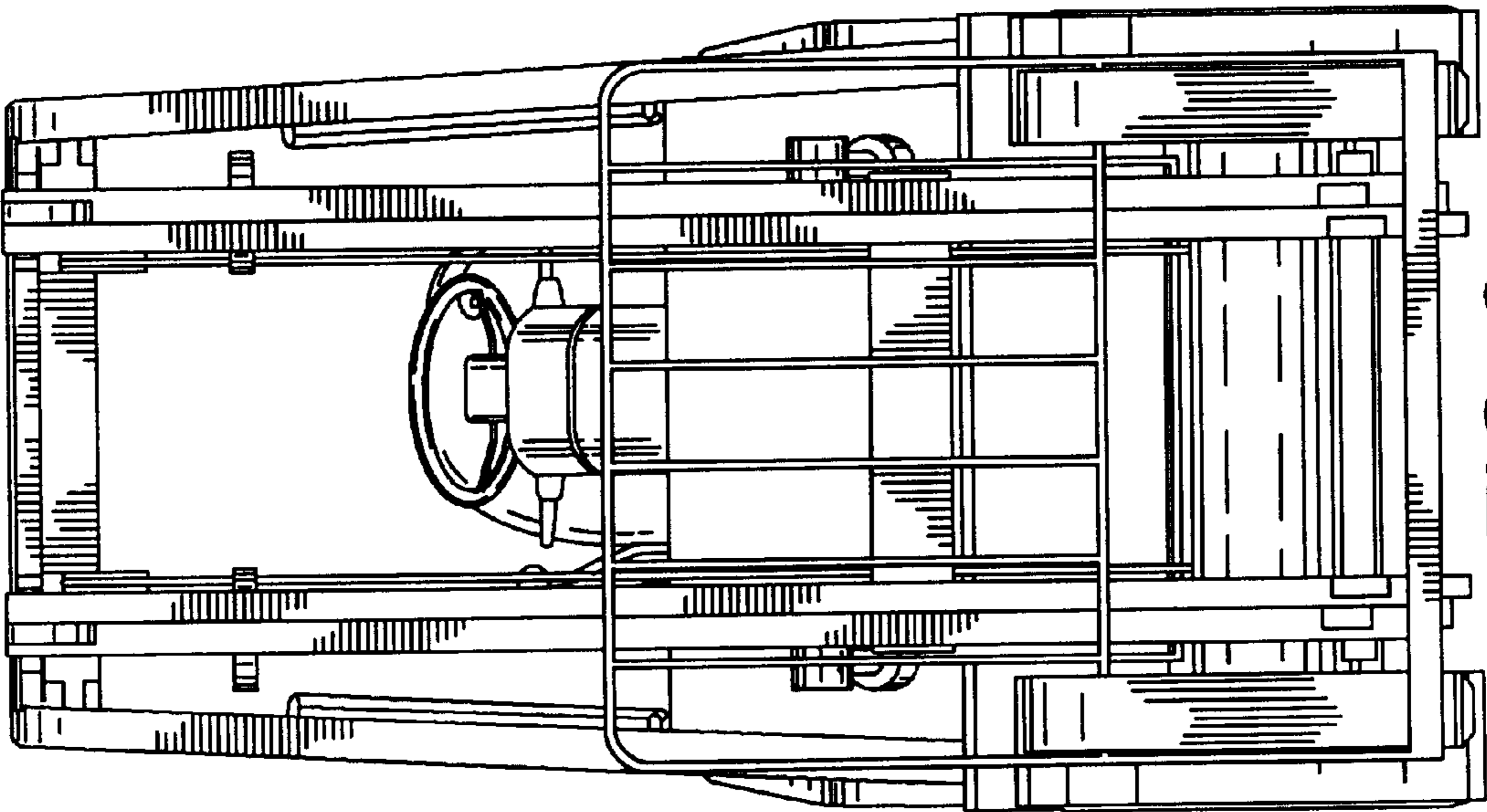


FIG. 6.