



US00D471688S

(12) **United States Design Patent**
Van Landingham, Jr. et al.

(10) **Patent No.:** **US D471,688 S**

(45) **Date of Patent:** **** Mar. 11, 2003**

(54) **CART**

(75) **Inventors:** **A. Reneau Van Landingham, Jr.**,
Stephens City, VA (US); **Donald**
Presnell, Stephens City, VA (US)

(73) **Assignee:** **Rubbermaid Commercial Products**
LLC, Winchester, VA (US)

(**) **Term:** **14 Years**

(21) **Appl. No.:** **29/160,785**

(22) **Filed:** **May 17, 2002**

(51) **LOC (7) Cl.** **12-02**

(52) **U.S. Cl.** **D34/21; D34/20**

(58) **Field of Search** D34/12-27; 280/47.24,
280/47.34, 47.35, 79.11, 79.2, 79.3; 211/177,
188, 194; 312/249.1, 249.11, 308

(56) **References Cited**

U.S. PATENT DOCUMENTS

D349,383 S	*	8/1994	McCaffrey	D34/19
D362,101 S	*	9/1995	Maddux et al.	D34/20
D408,953 S	*	4/1999	Colichowski et al.	D34/21
D419,230 S	*	1/2000	Ciccone	D23/333

OTHER PUBLICATIONS

Food Transport, Racks.
Food Transport, Meal Delivery, Hubert Catalog, p. 704,
(2002), see <http://www.hubert.com/>.

Cateteria "Special Plateaux", Chomette Favor Catalog, p.
320, (2002).

* cited by examiner

Primary Examiner—Kay H. Chin

(74) *Attorney, Agent, or Firm*—Foley & Lardner

(57) **CLAIM**

The ornamental design for a cart, as shown and described.

DESCRIPTION

FIG. 1 is a perspective view of a cart according to our new
design;

FIG. 2 is a perspective view of the cart of FIG. 1 showing
a phantom bin in a shelving channel;

FIG. 3 is a perspective view of the cart of FIG. 1 showing
a phantom refuse container shelf positioned in a shelving
channel and a phantom refuse container hanging from the
refuse container shelf;

FIG. 4 is a front view of the cart of FIG. 1;

FIG. 5 is a back view of the cart of FIG. 1;

FIG. 6 is a right side view of the cart of FIG. 1;

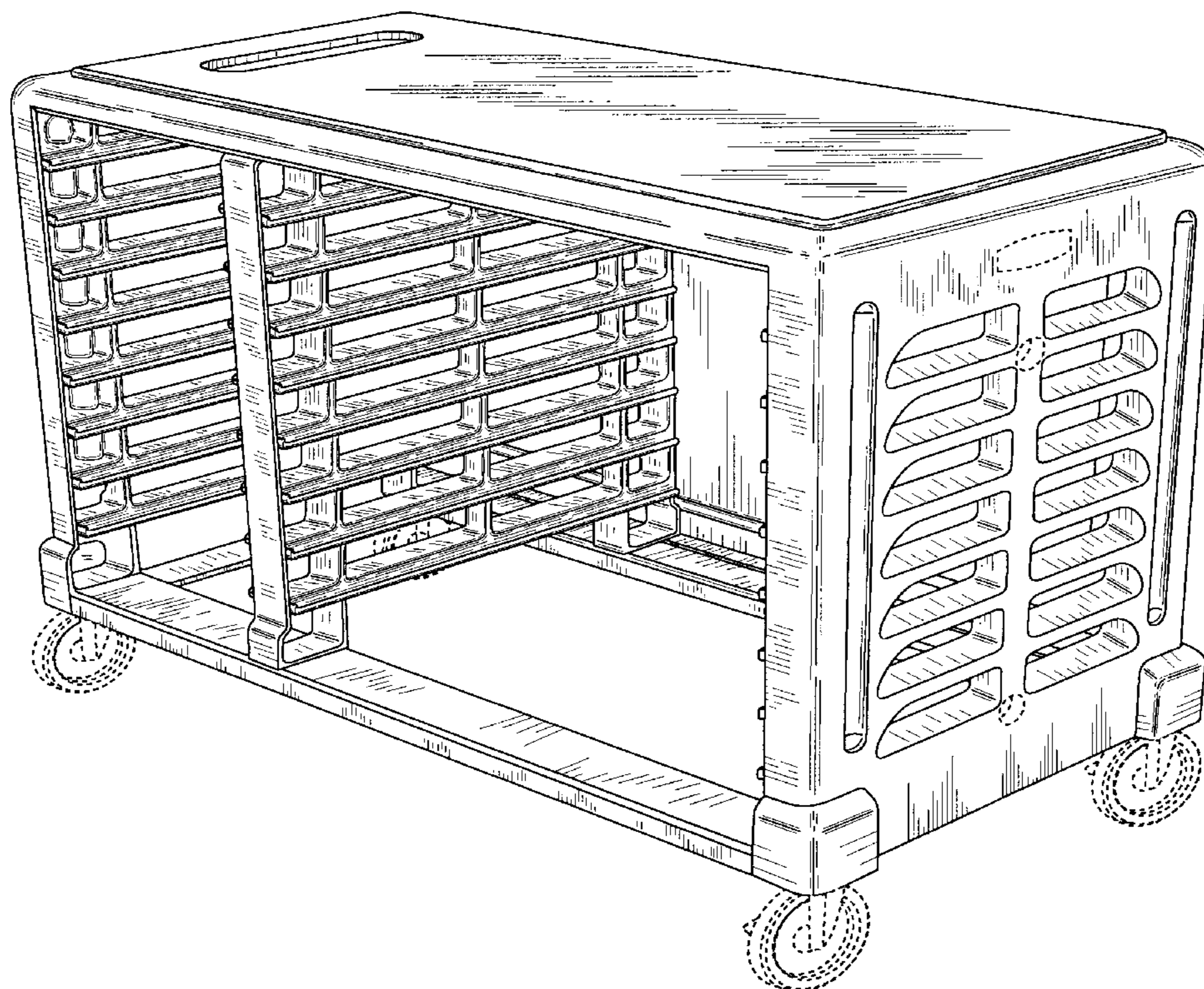
FIG. 7 is a left side view of the cart of FIG. 1;

FIG. 8 is a top view of the cart of FIG. 1; and,

FIG. 9 is a bottom view of the cart of FIG. 1.

The ornamental design which is claimed is shown in solid
lines in the drawings. Any broken lines in the drawings are
for illustrative purposes only and form no part of the claimed
design.

1 Claim, 9 Drawing Sheets



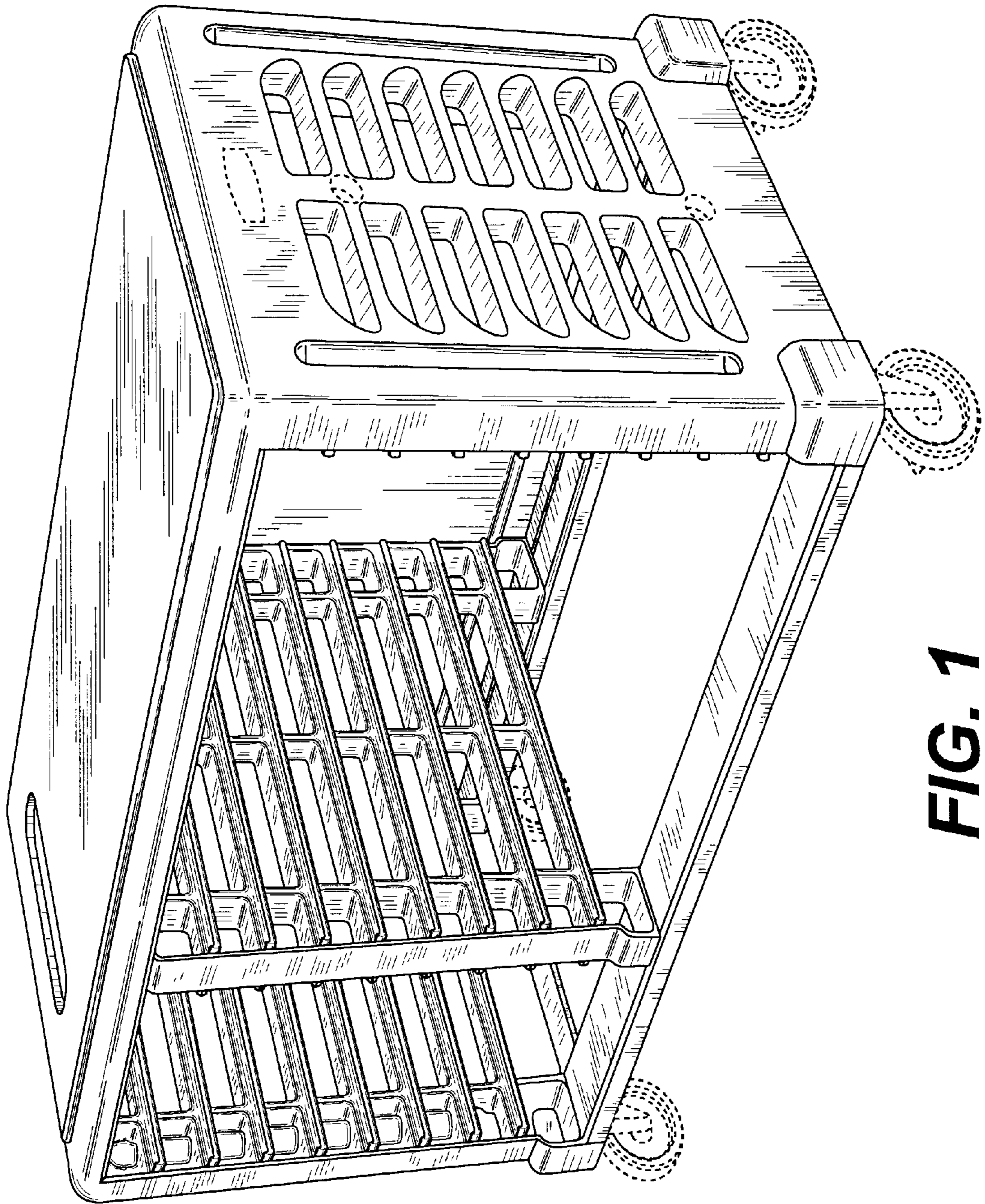


FIG. 1

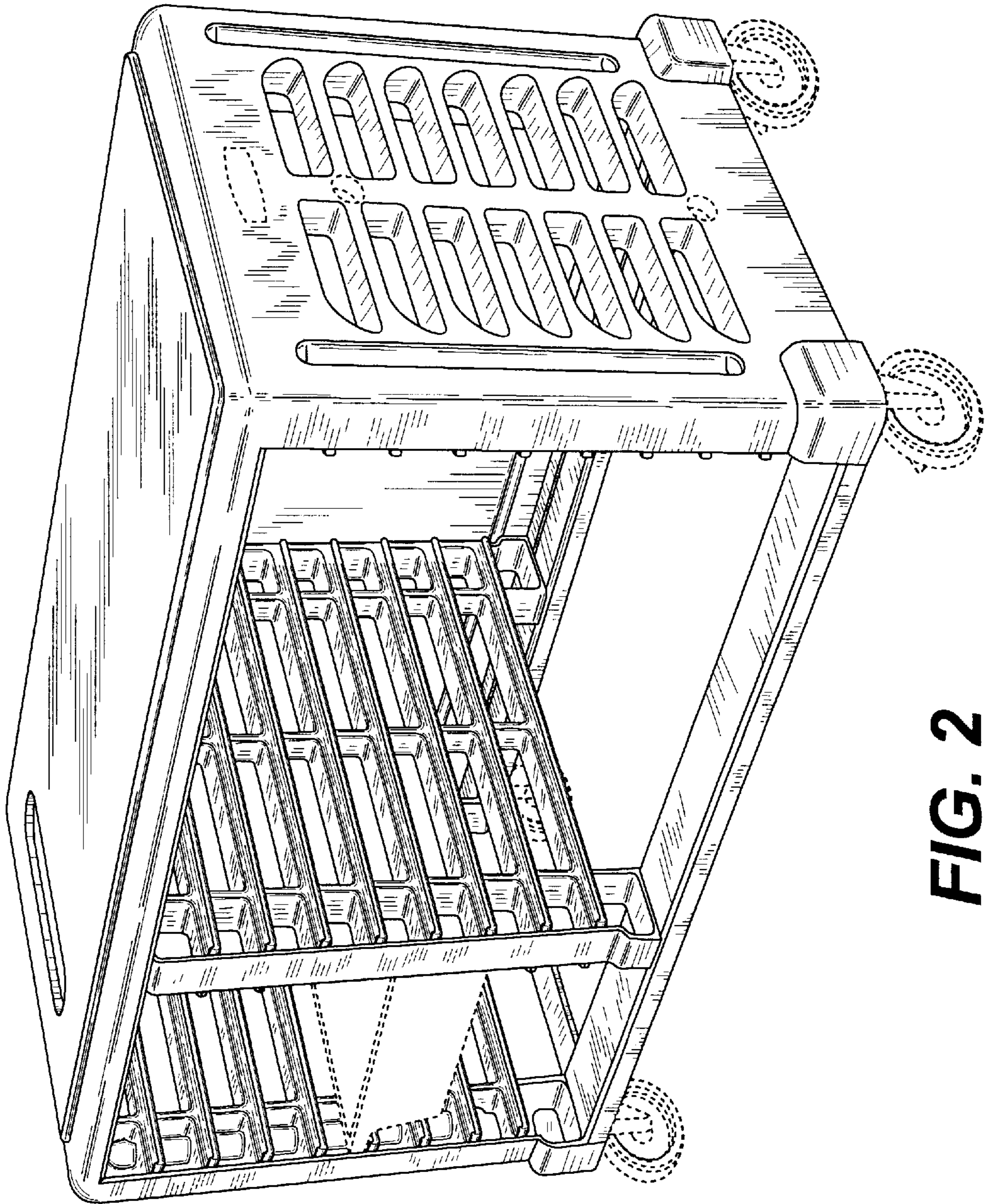


FIG. 2

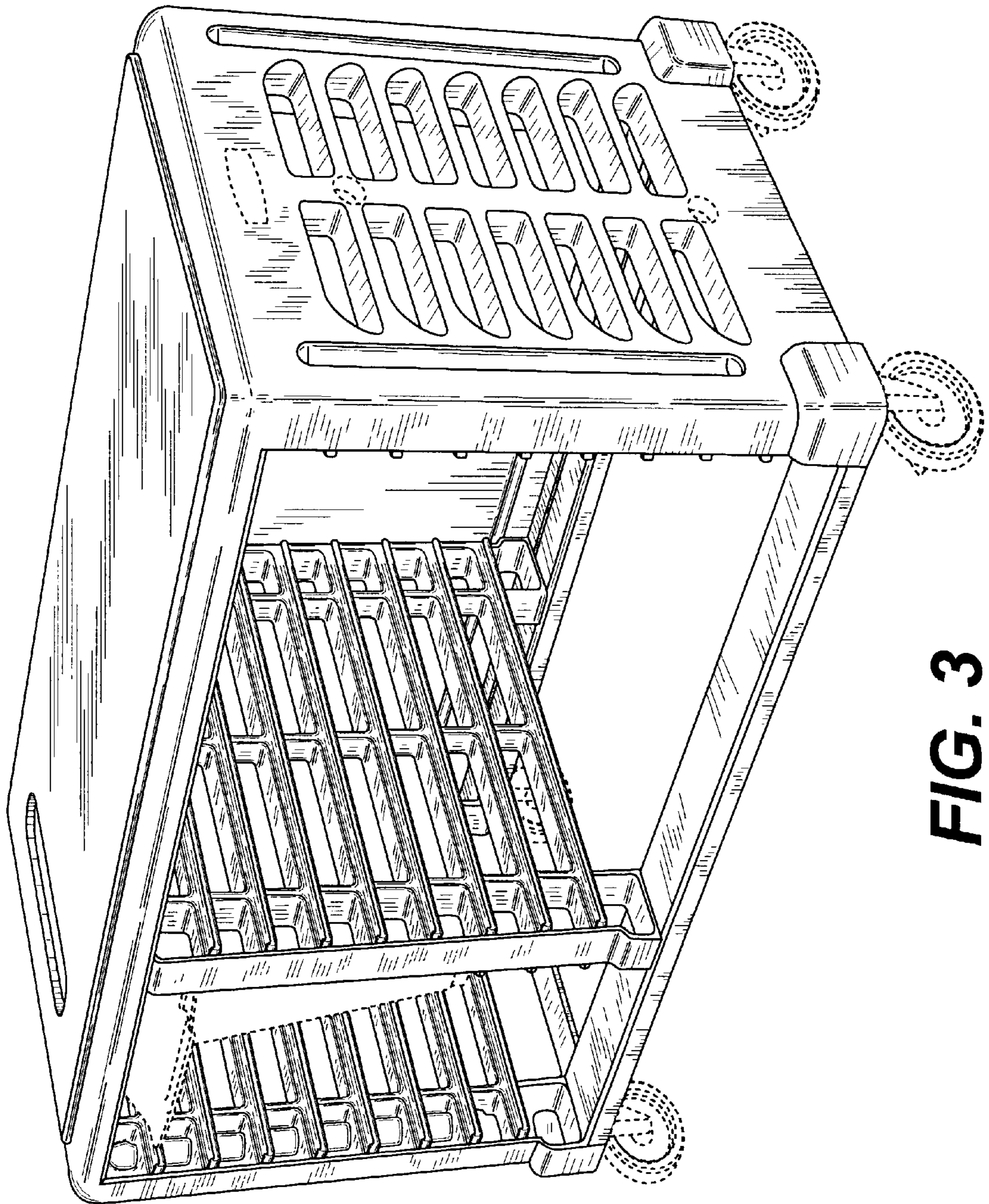


FIG. 3

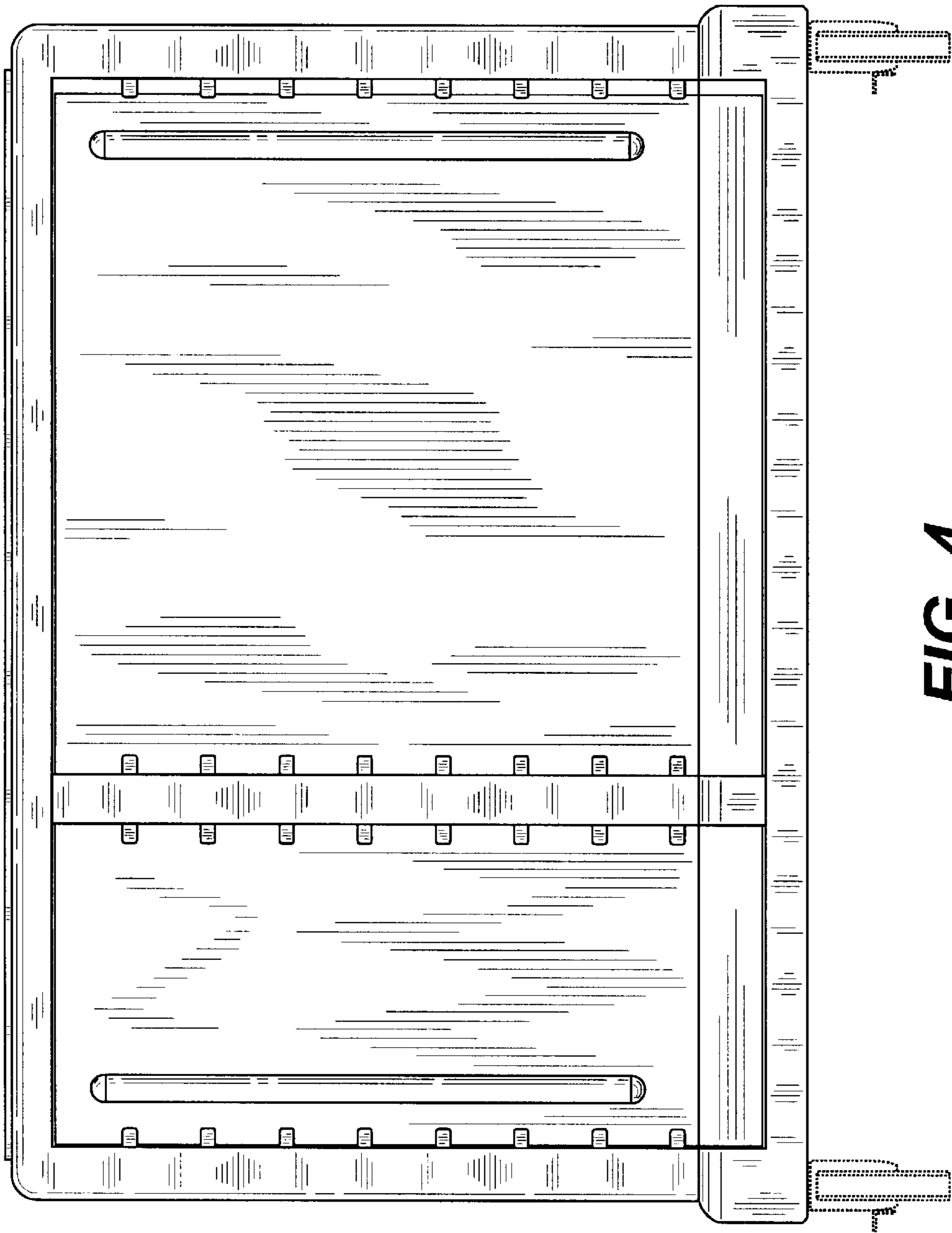


FIG. 4

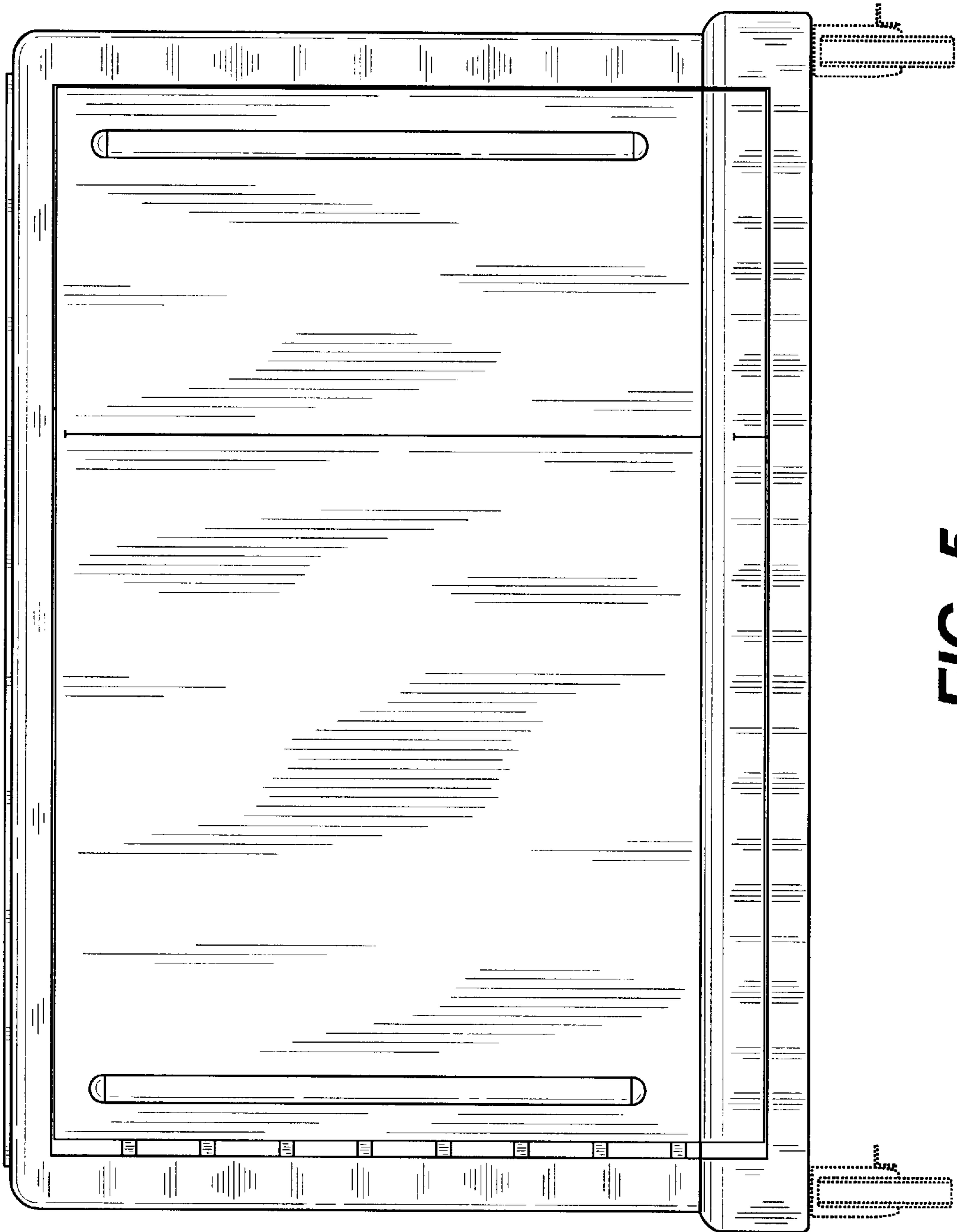


FIG. 5

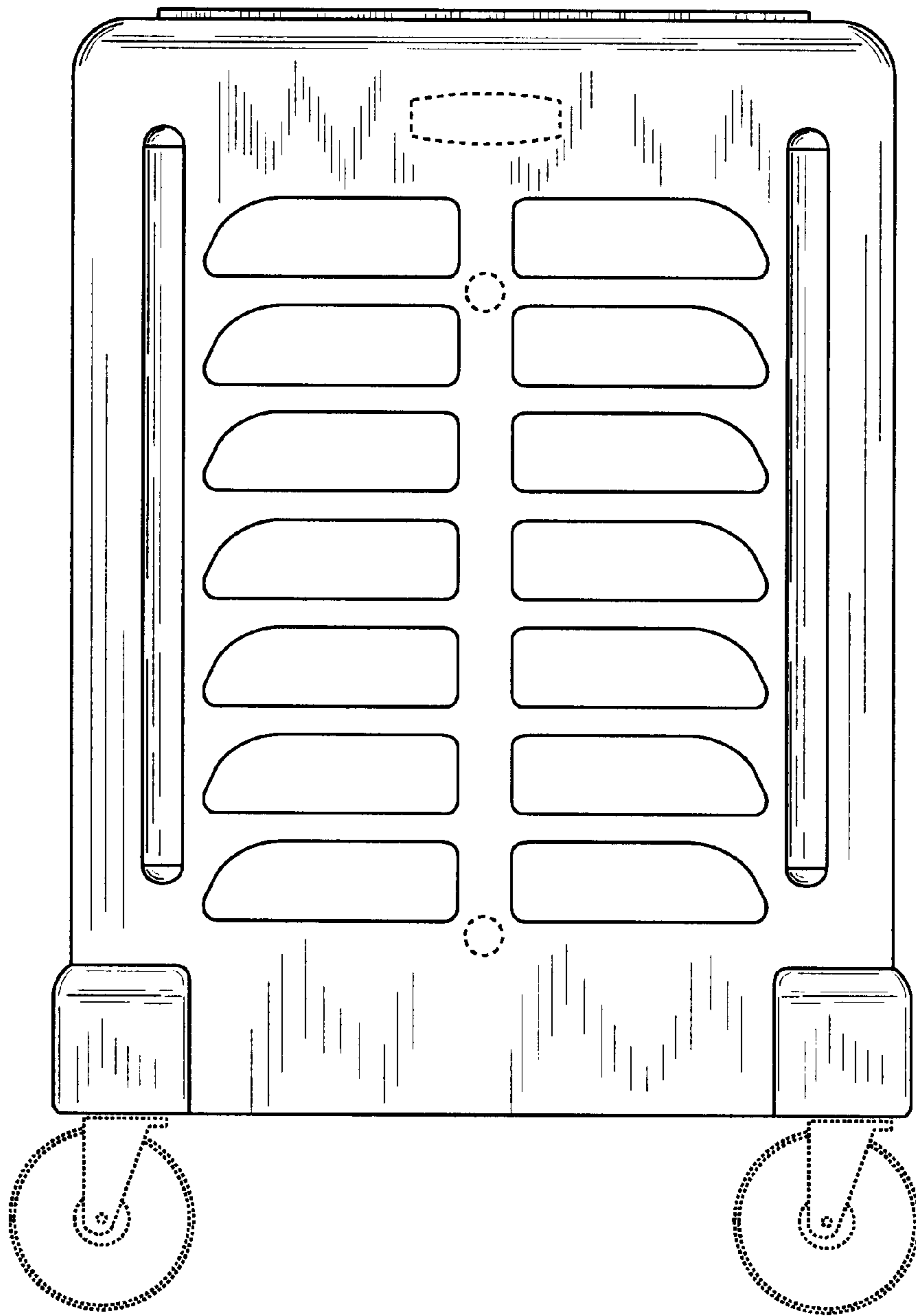


FIG. 6

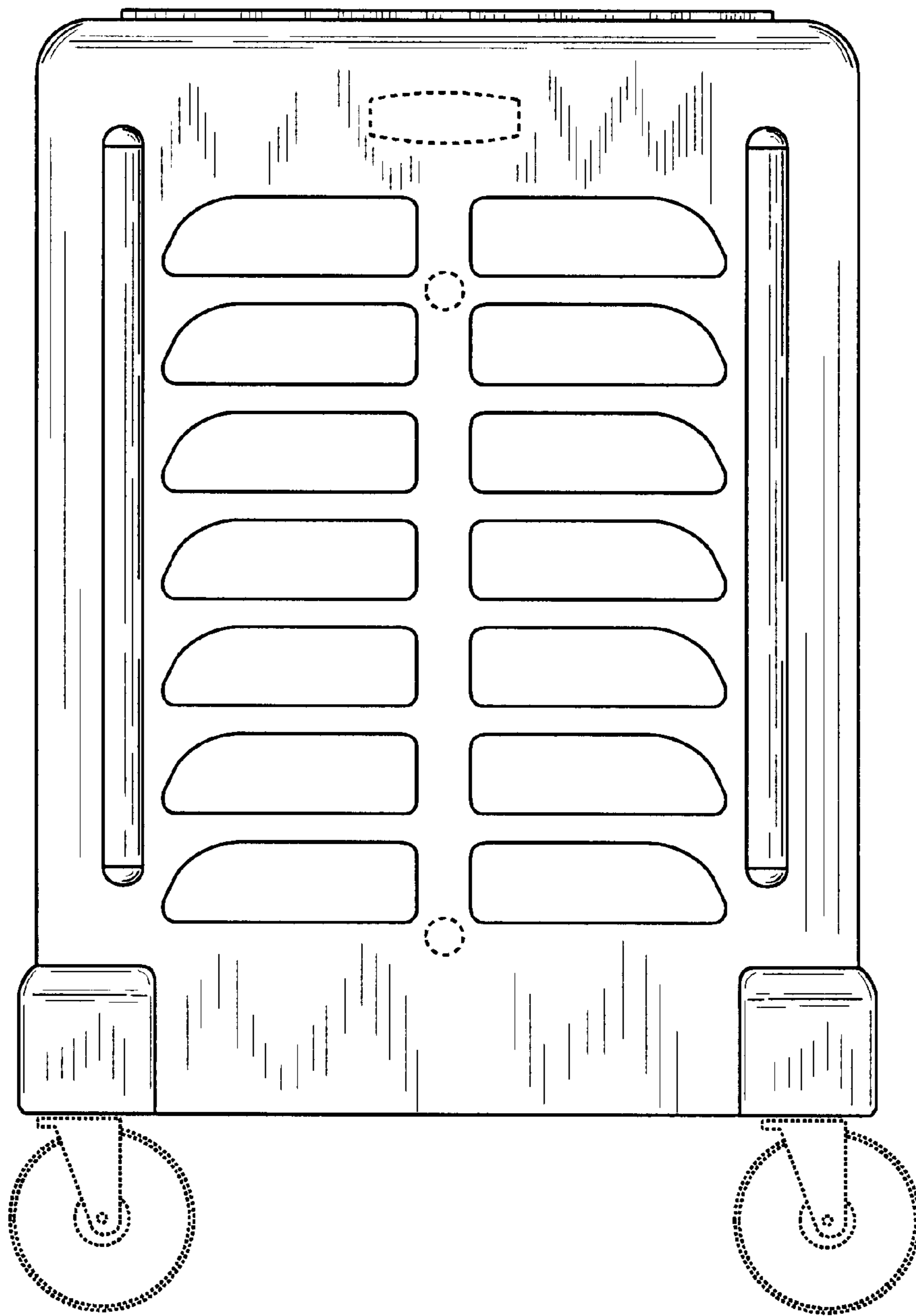


FIG. 7

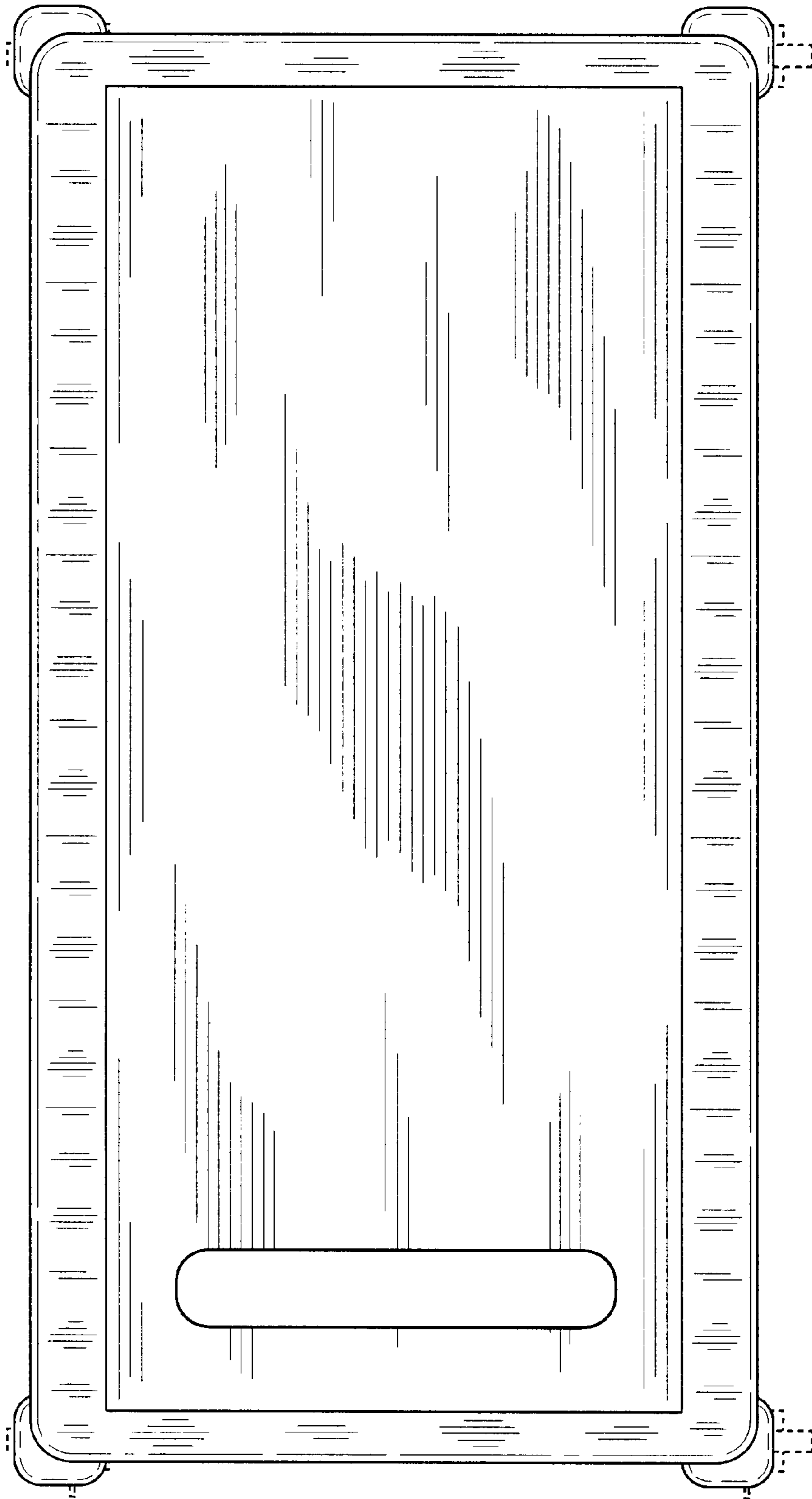


FIG. 8

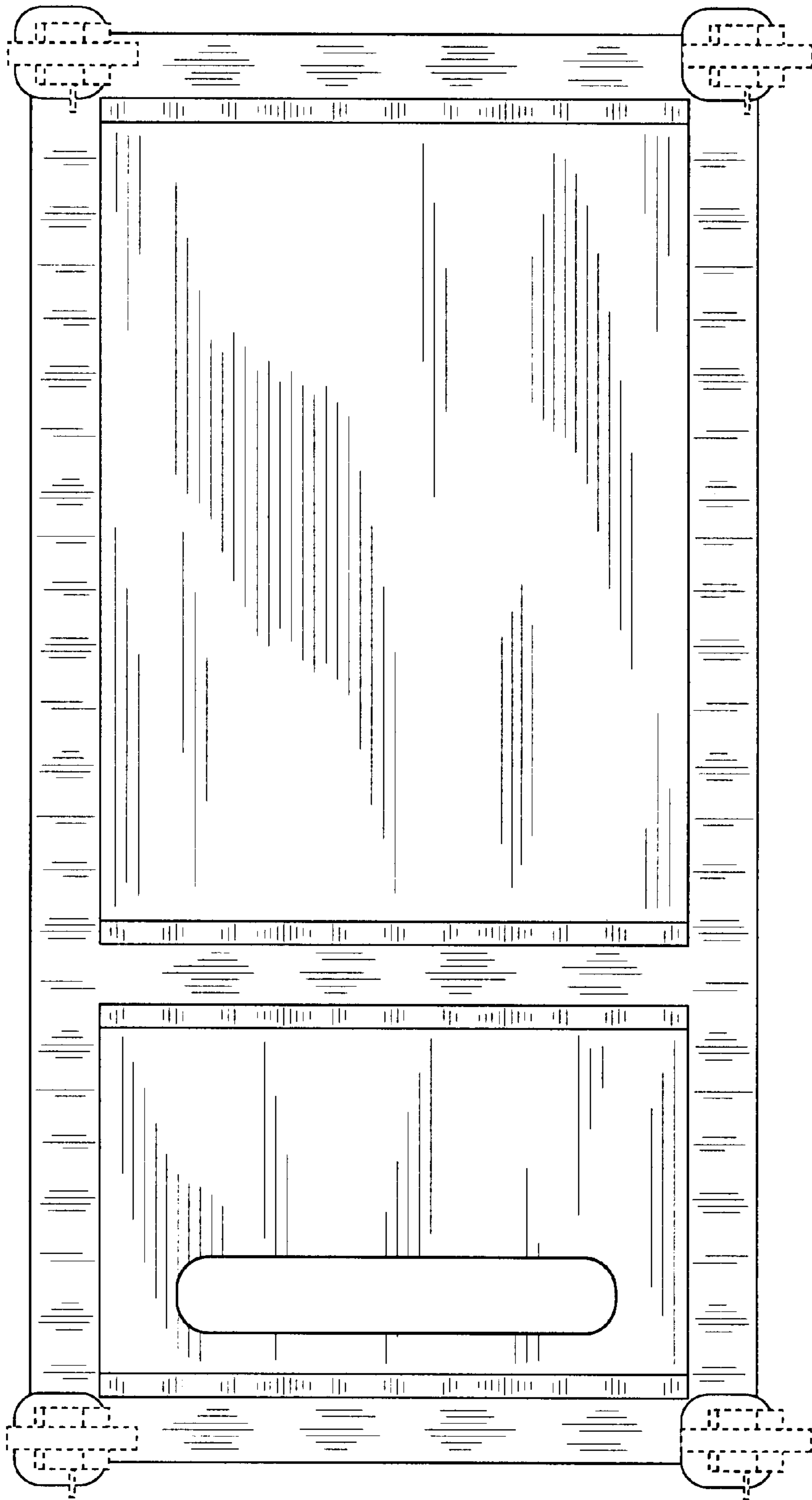


FIG. 9