



US00D471687S

(12) **United States Design Patent**
Cristo

(10) **Patent No.:** **US D471,687 S**

(45) **Date of Patent:** **** Mar. 11, 2003**

(54) **CART**

D216,027 S * 11/1969 Koziol D34/13
D439,719 S * 3/2001 Kleinschmidt D34/17

(75) Inventor: **Frank Cristo**, North Woodmere, NY (US)

* cited by examiner

(73) Assignee: **F.C.I.C. Construction Corp.**, Valley Stream, NY (US)

Primary Examiner—Kay H. Chin

(74) *Attorney, Agent, or Firm*—Collard & Roe, P.C.

(**) Term: **14 Years**

(57) **CLAIM**

The ornamental design for a cart, as shown and described.

(21) Appl. No.: **29/164,408**

DESCRIPTION

(22) Filed: **Jul. 24, 2002**

(51) **LOC (7) Cl.** **12-02**

(52) **U.S. Cl.** **D34/13; D34/1**

(58) **Field of Search** D34/12-27; D6/462;
280/79.3, 79.11, 651; 248/176, 129; 211/13,
41, 60 R

FIG. 1 shows a perspective view of my design for a cart according to the invention.

FIG. 2 shows a side view thereof, with the opposite side being identical.

FIG. 3 shows a front side view thereof with the rear side being identical.

FIG. 4 shows a top view thereof; and,

FIG. 5 shows a bottom view thereof.

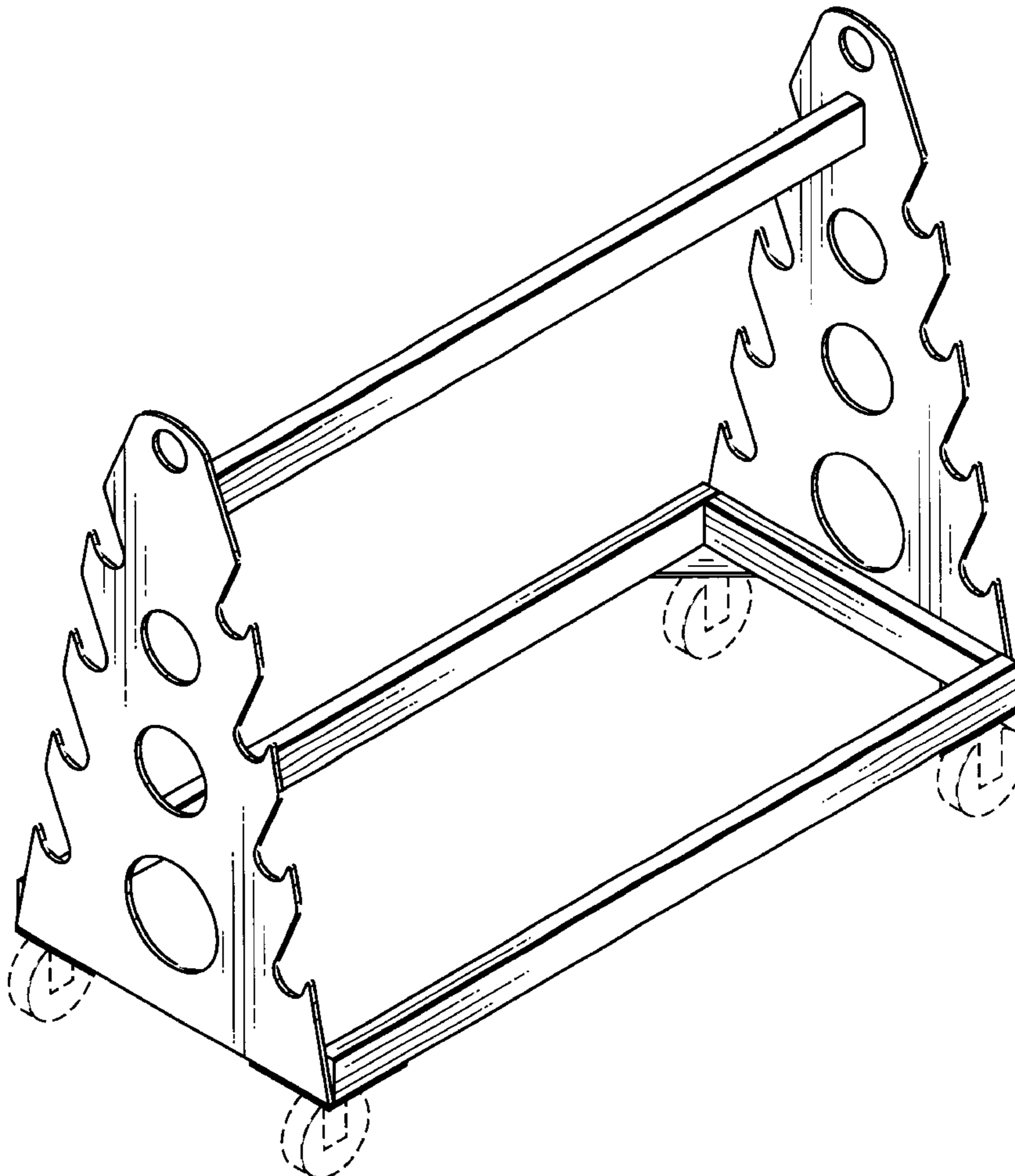
The broken-line showing of wheels in FIGS. 1-5 is for illustration purposes only and forms no part of the claimed design.

(56) **References Cited**

U.S. PATENT DOCUMENTS

D199,448 S * 10/1964 Corbett D34/13
D205,399 S * 8/1966 O'Rear D34/18
D211,034 S * 5/1968 Mero D34/17

1 Claim, 3 Drawing Sheets



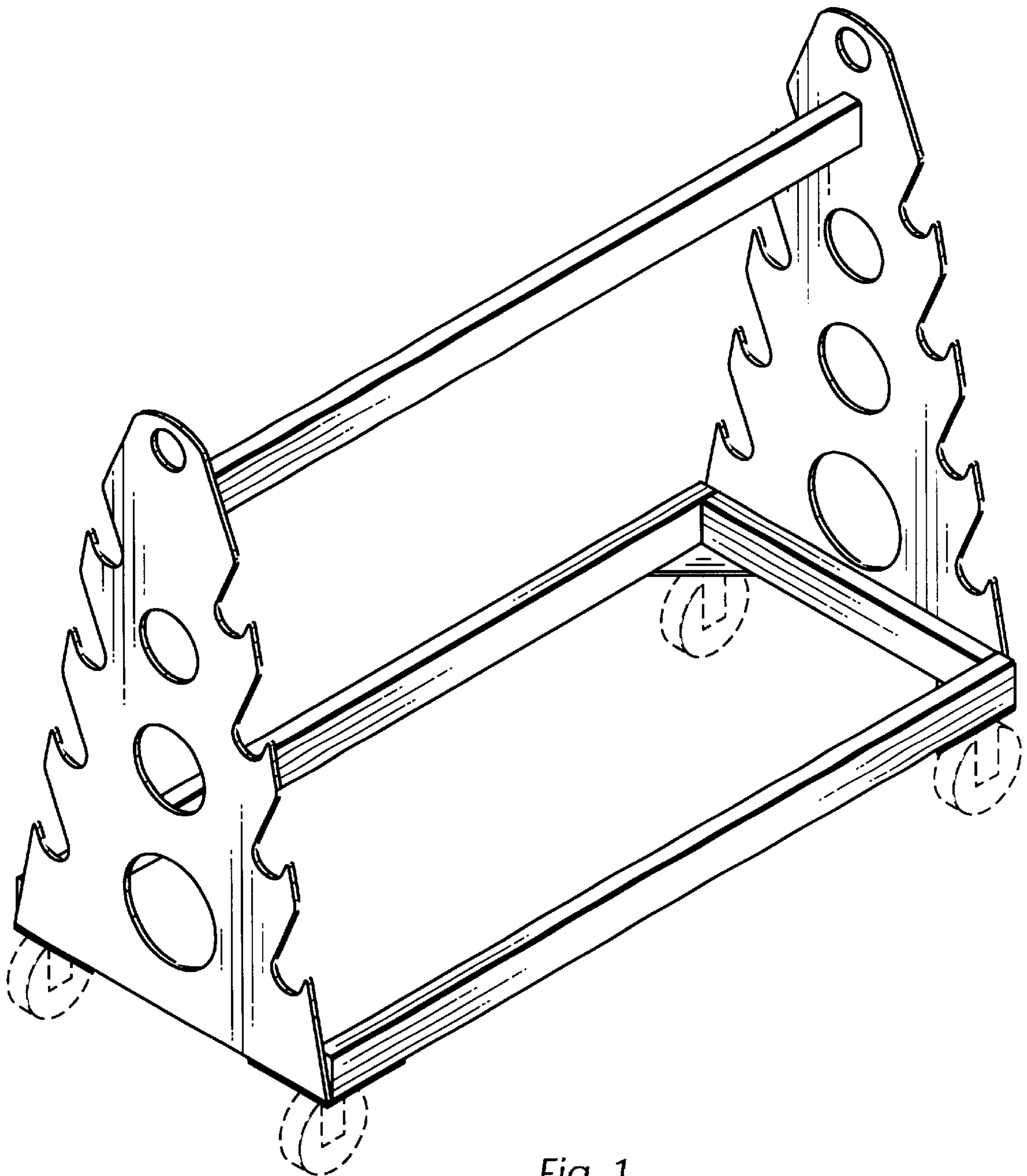


Fig. 1

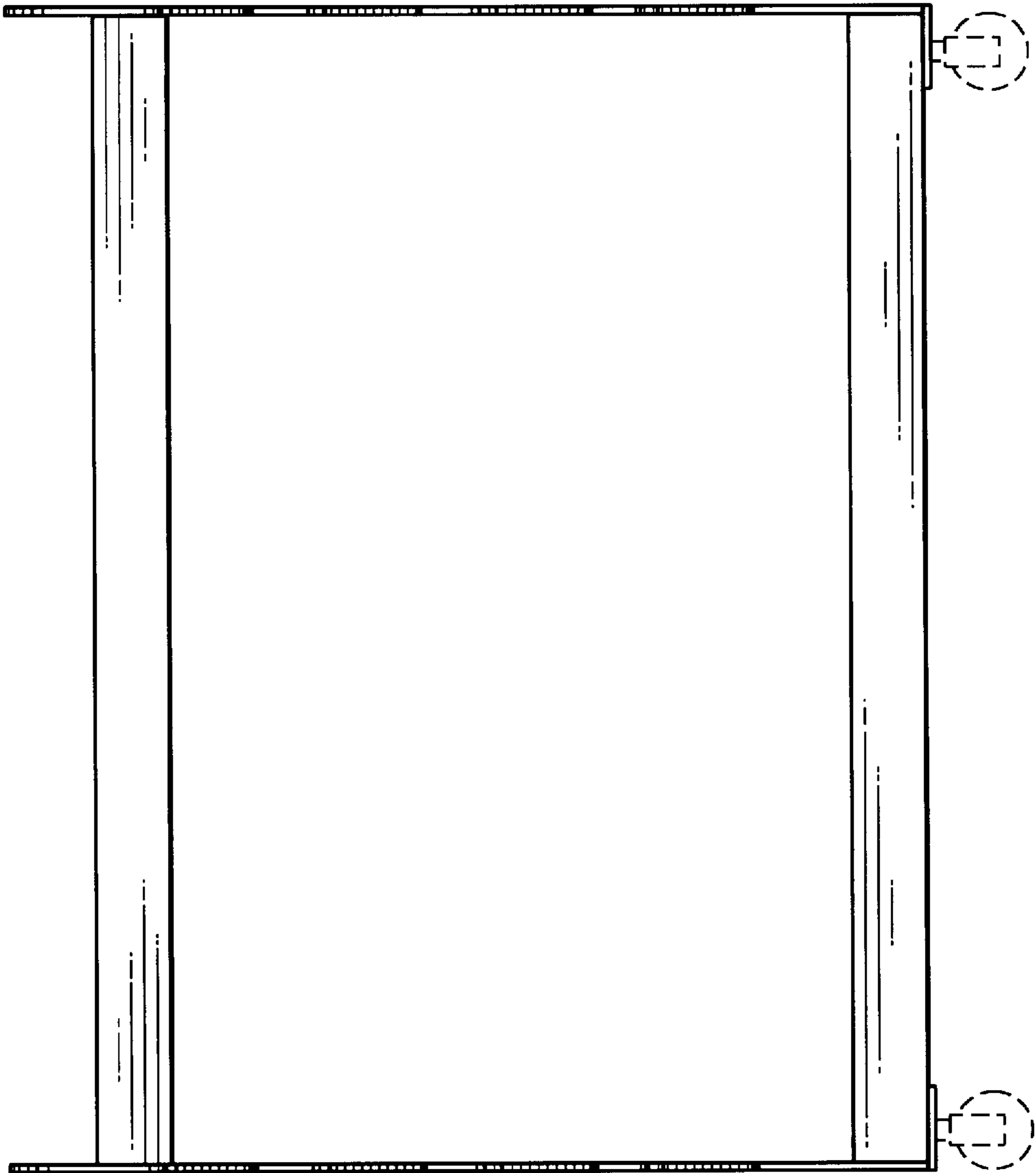


Fig. 3

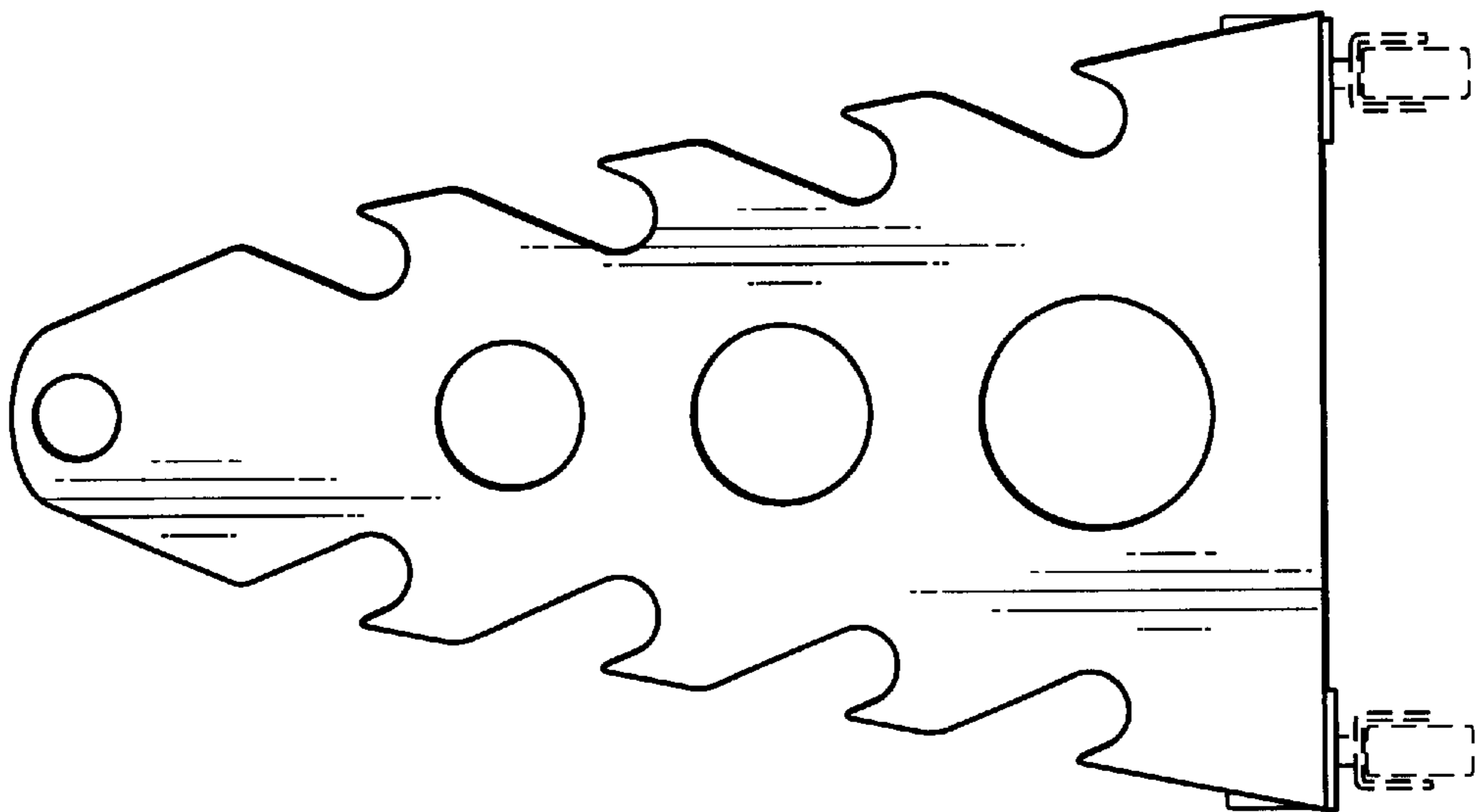


Fig. 2

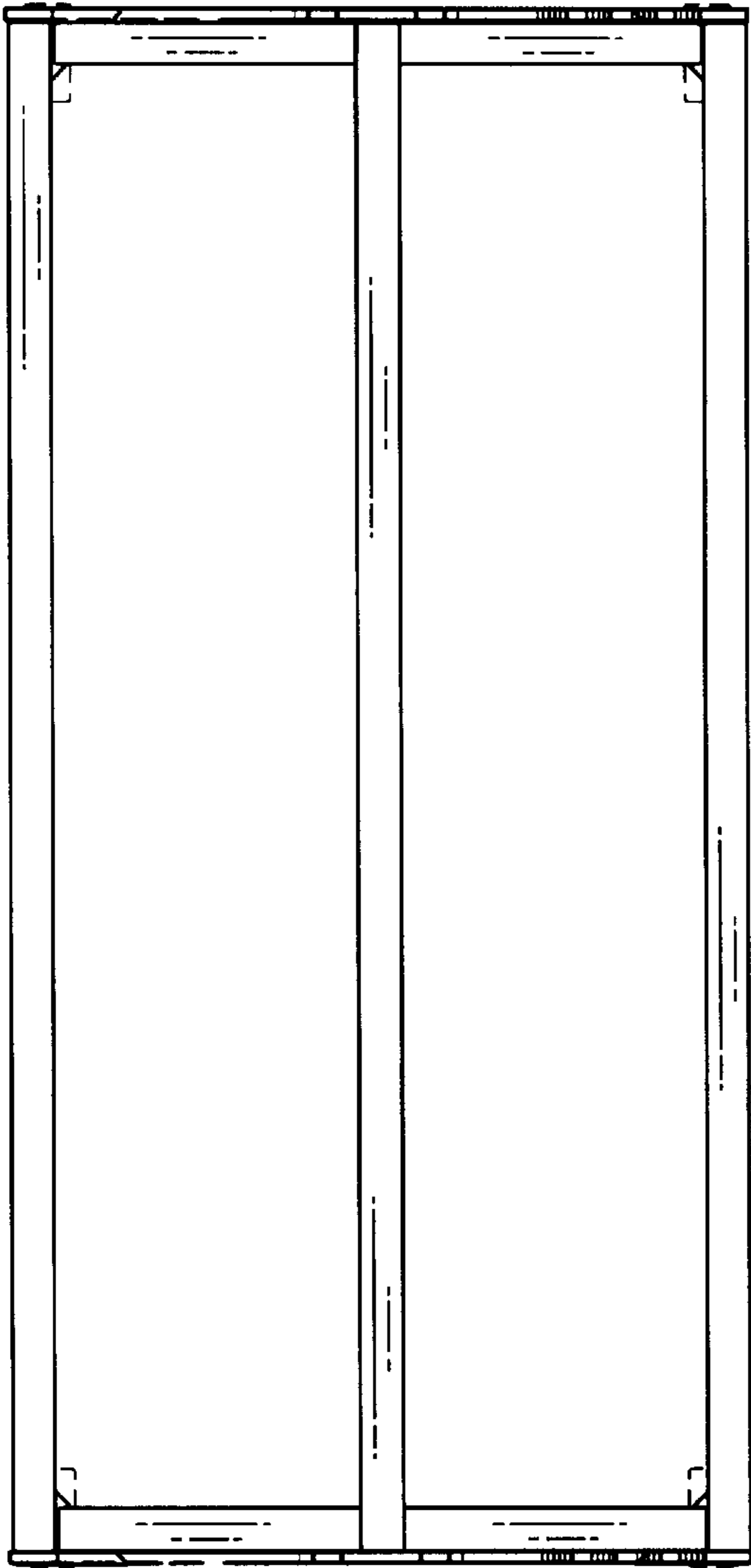


Fig. 4

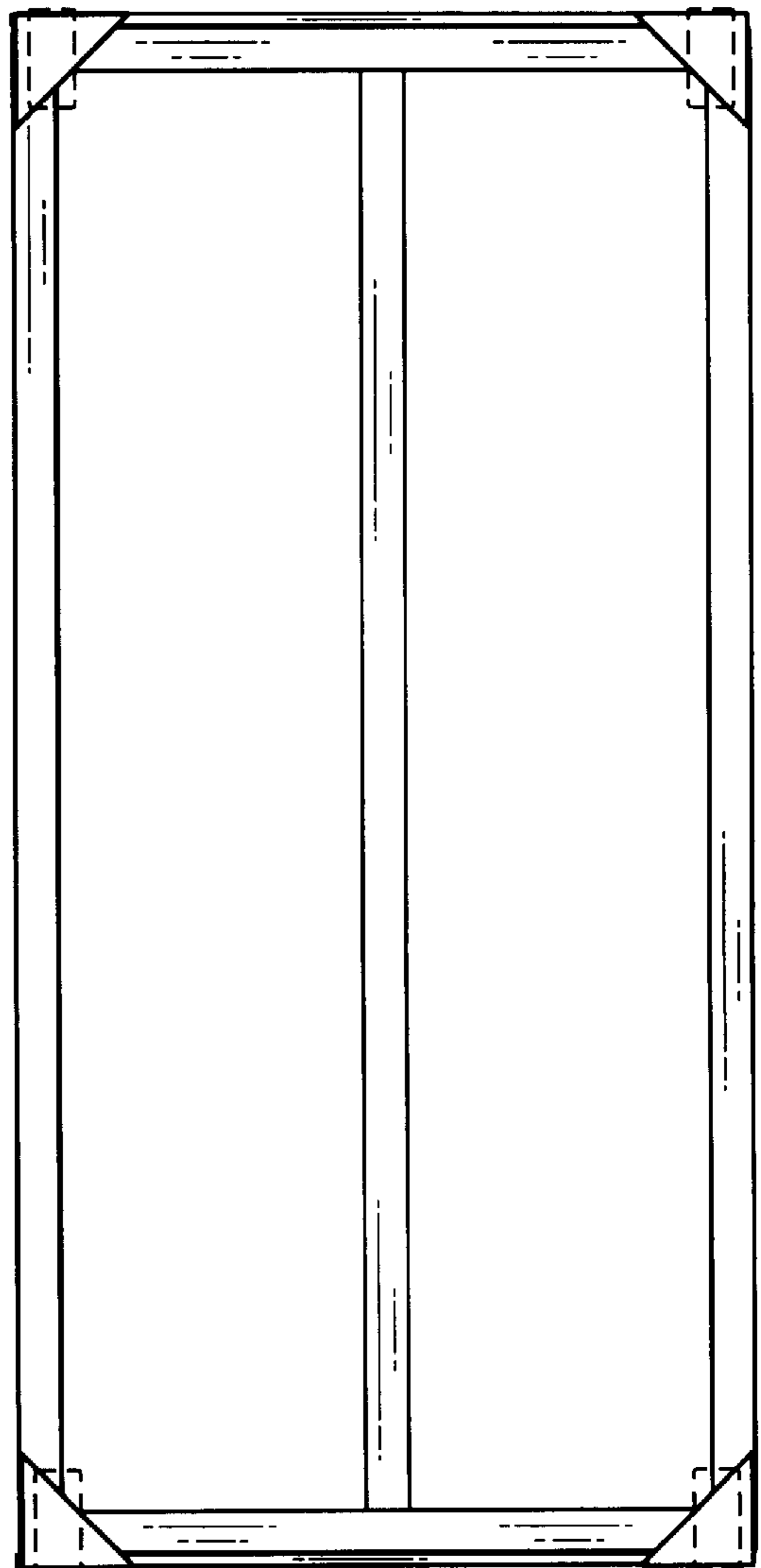


Fig. 5