



US00D471683S

(12) **United States Design Patent**
Dyson et al.

(10) **Patent No.:** **US D471,683 S**

(45) **Date of Patent:** **** Mar. 11, 2003**

(54) **COLLECTION CHAMBER FOR A VACUUM CLEANER**

D463,078 S * 9/2002 Harada D32/22

* cited by examiner

(75) Inventors: **James Dyson**, Wiltshire (GB);
Alexander Stuart Knox, Bath (GB);
Peter David Gammack, Bath (GB);
Michael David Ganderton, Bath (GB)

Primary Examiner—Louis S. Zarfes
Assistant Examiner—Robert A. Delehanty
(74) *Attorney, Agent, or Firm*—Morrison & Foerster LLP

(73) Assignee: **Dyson Limited**, Malmesbury (GB)

(57) **CLAIM**

(**) Term: **14 Years**

We claim the ornamental design for a collection chamber for a vacuum cleaner, as shown and described.

(21) Appl. No.: **29/164,118**

DESCRIPTION

(22) Filed: **Jul. 19, 2002**

FIG. 1 is a perspective view of a collection chamber for a vacuum cleaner of the design according to this invention. FIG. 2 is a front view of a collection chamber for a vacuum cleaner of the design according to this invention. FIG. 3 is a rear view of a collection chamber for a vacuum cleaner of the design according to this invention. FIG. 4 is a plan view of a collection chamber for a vacuum cleaner of the design according to this invention. FIG. 5 is a view from underneath of a collection chamber for a vacuum cleaner of the design according to this invention. FIG. 6 is a right side view of a collection chamber for a vacuum cleaner of the design according to this invention; and, FIG. 7 is a left side view of a collection chamber for a vacuum cleaner of the design according to this invention.

(30) **Foreign Application Priority Data**

Jan. 22, 2002 (GB) 3000841
Mar. 26, 2002 (GB) 3002473

(51) **LOC (7) Cl.** **15-05**

(52) **U.S. Cl.** **D32/30**

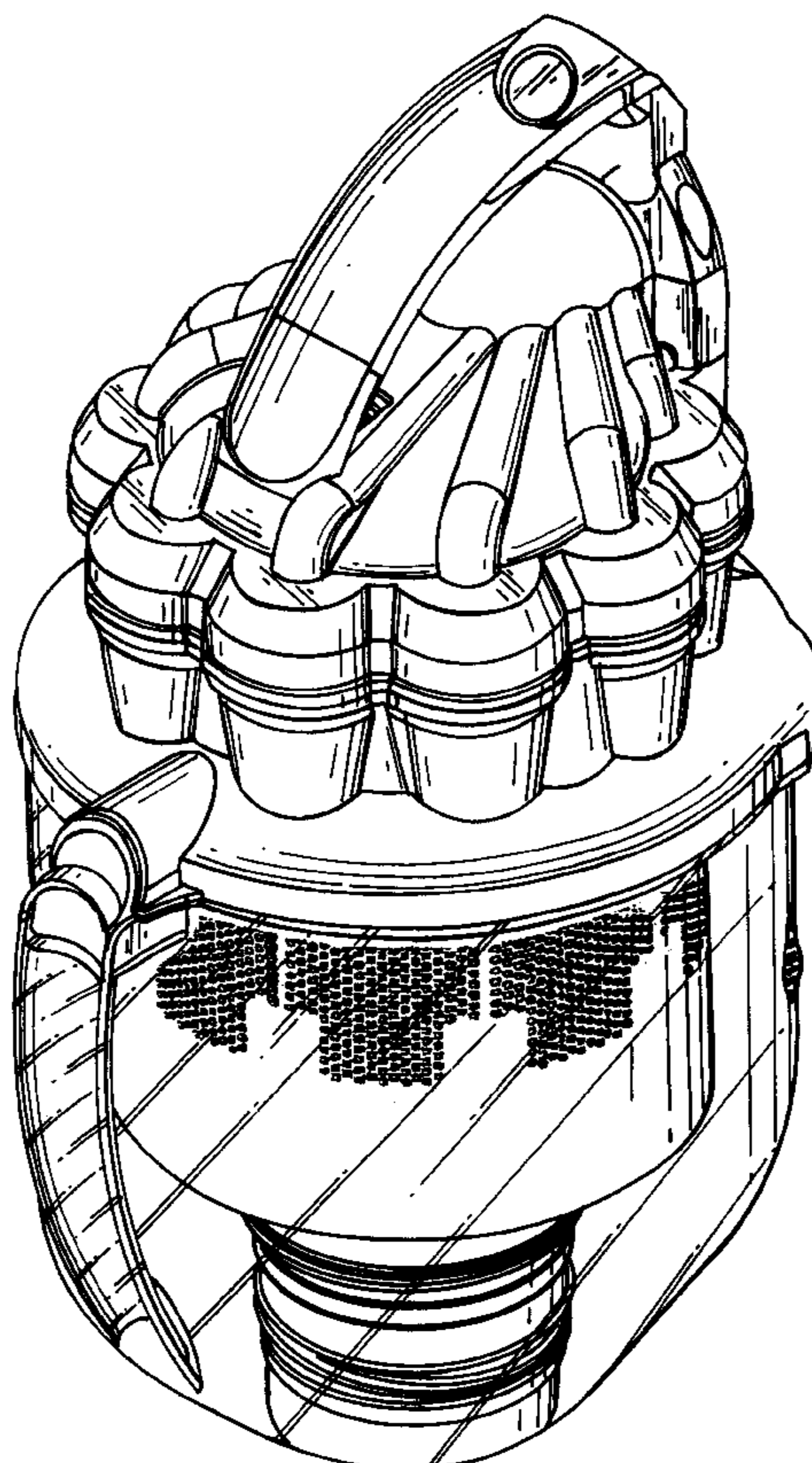
(58) **Field of Search** D32/15, 17-25,
D32/31-34; 15/28, 87, 246.2, 256.52, 327.6,
327.7, 347, 415.1, 345; 95/90

(56) **References Cited**

U.S. PATENT DOCUMENTS

5,248,323 A * 9/1993 Stevenson 95/90
D462,814 S * 9/2002 Sugimoto D32/22

1 Claim, 6 Drawing Sheets



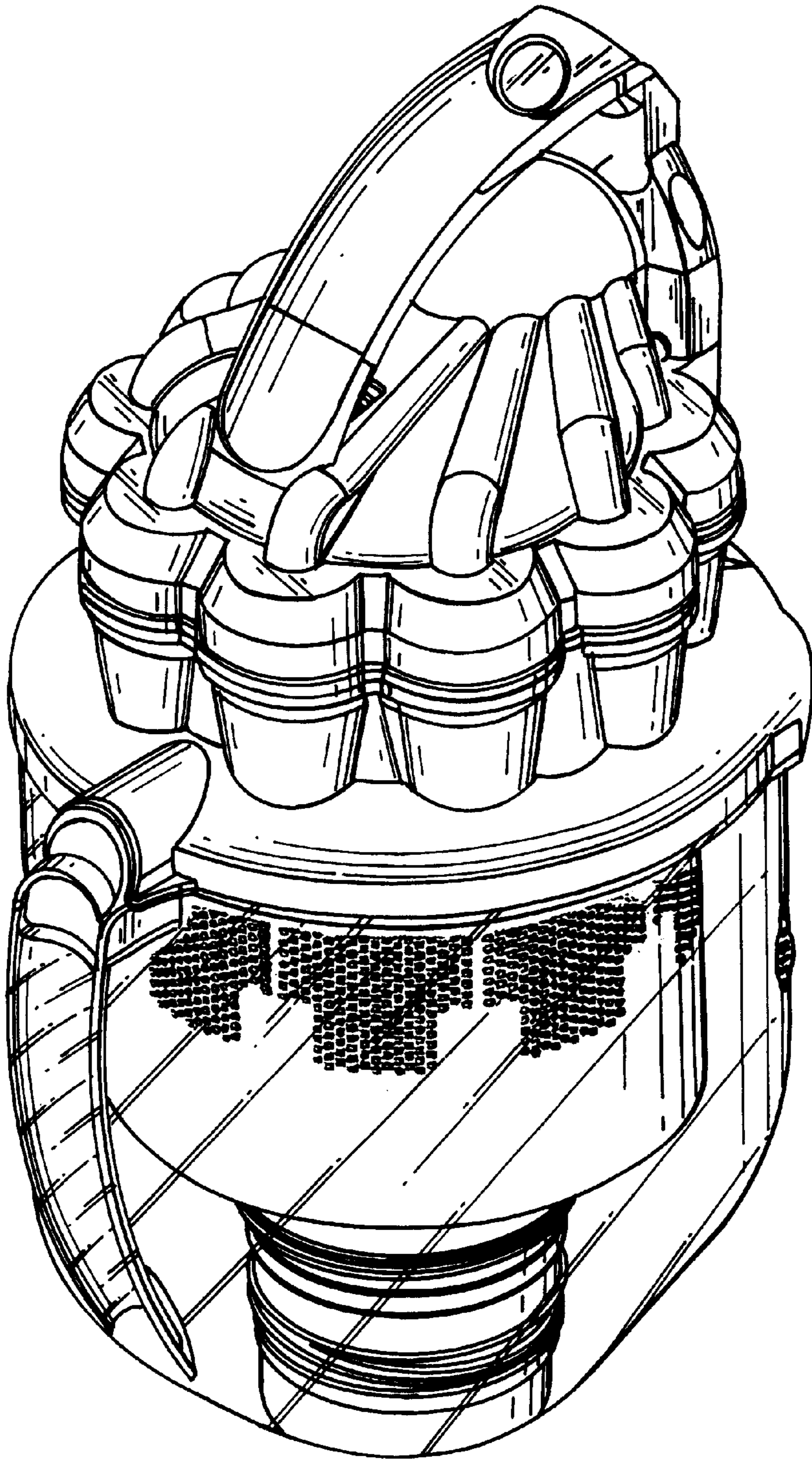


Fig. 1

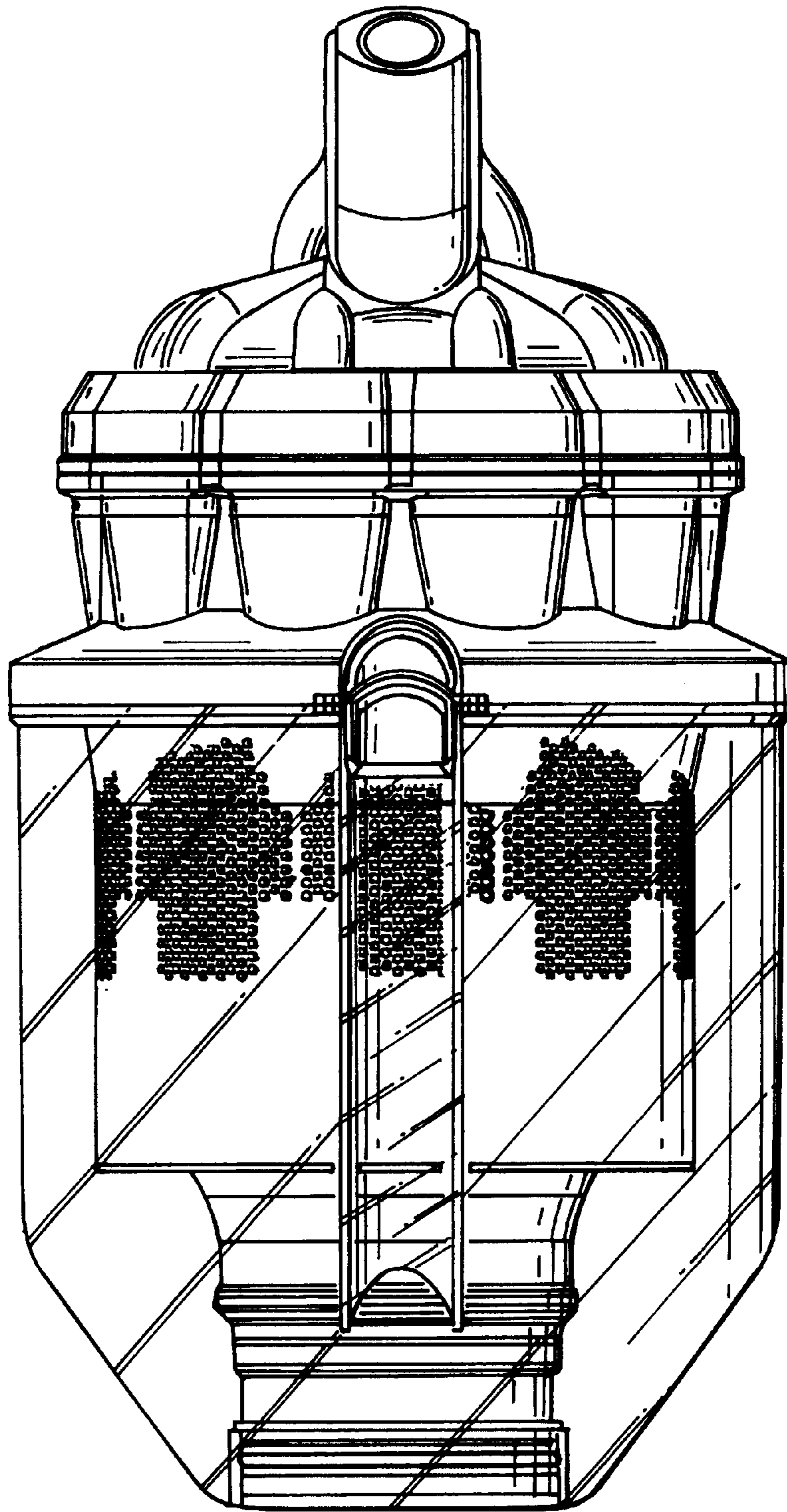


Fig. 2

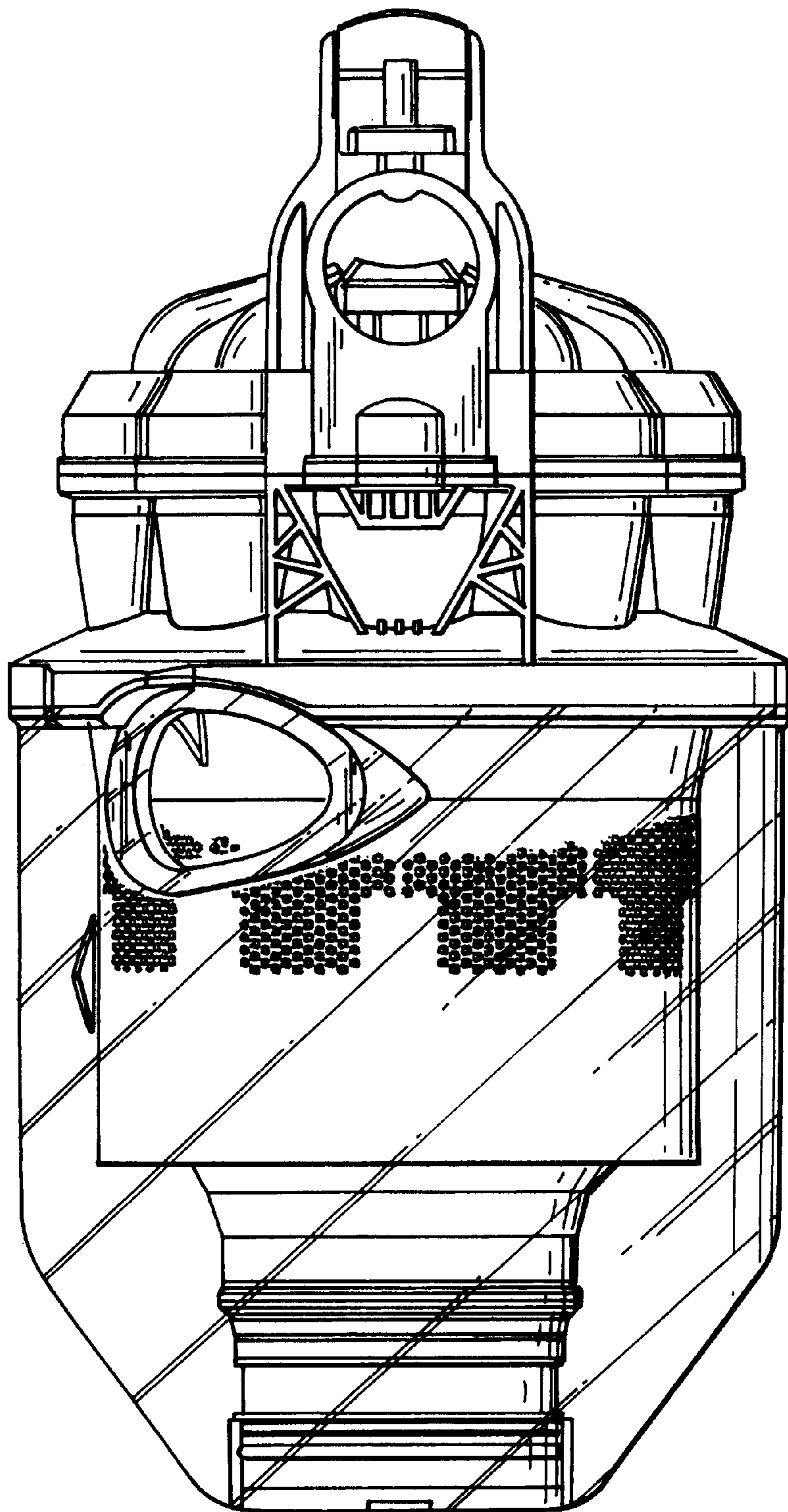


Fig. 3

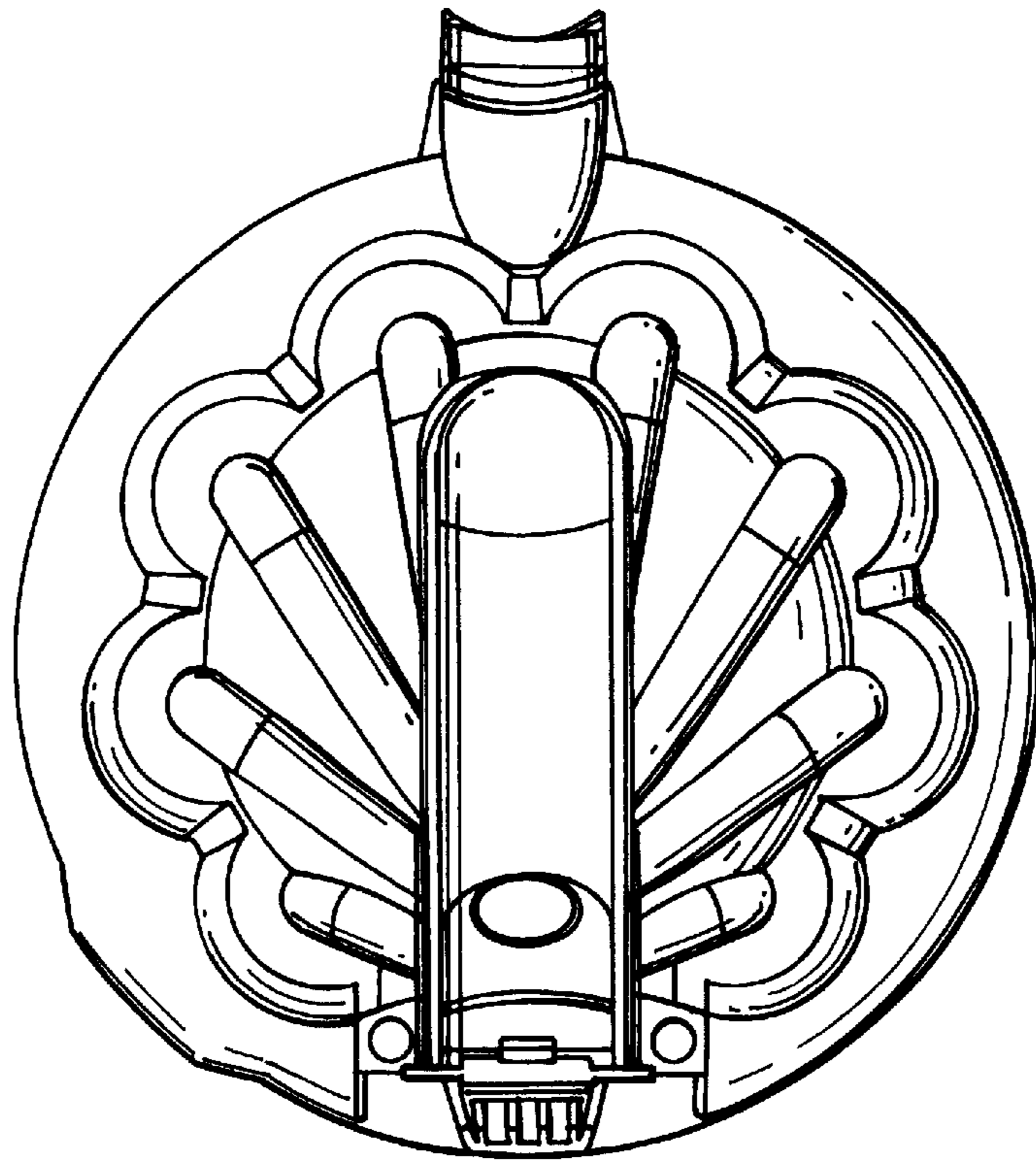


Fig. 4

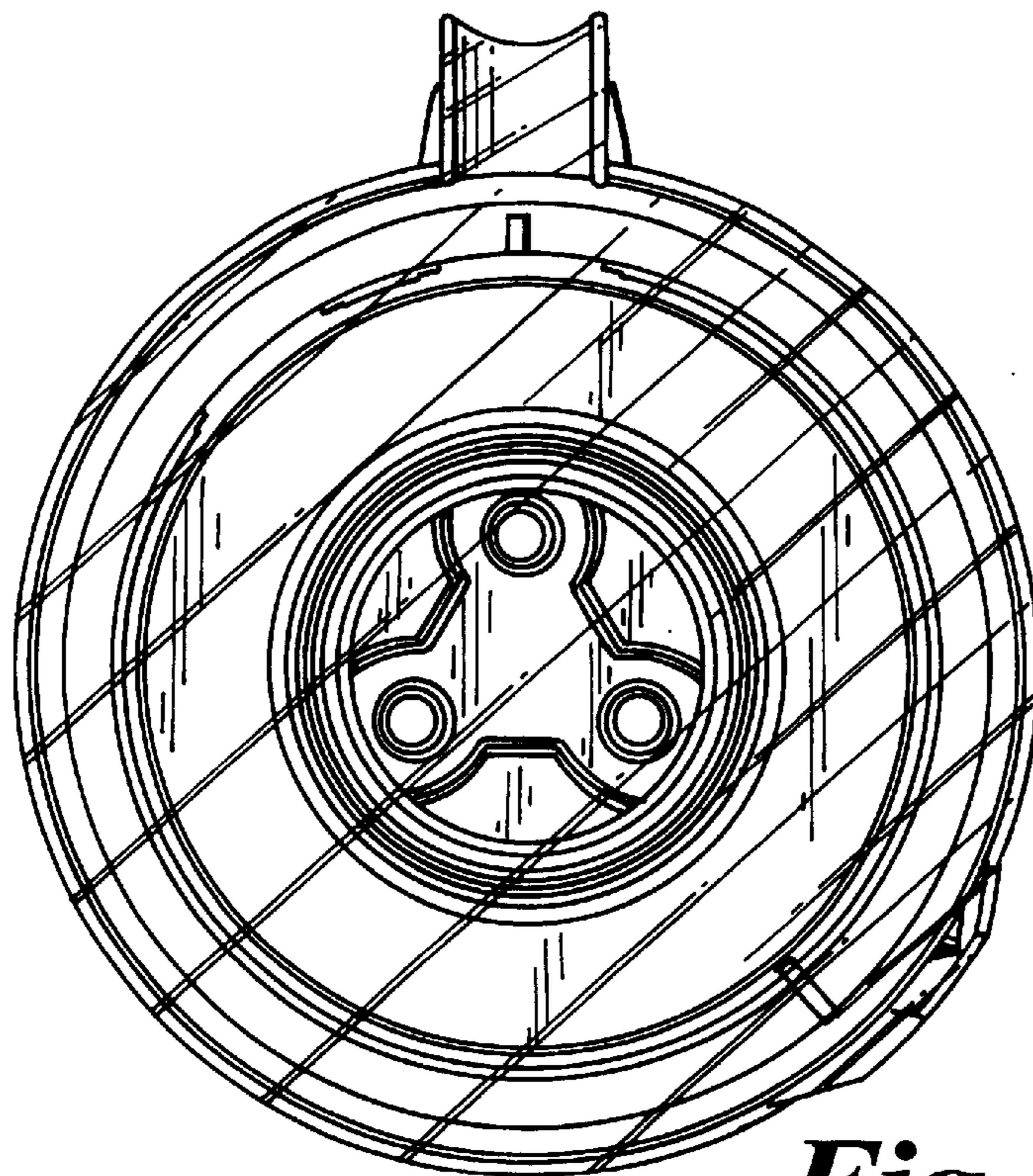


Fig. 5

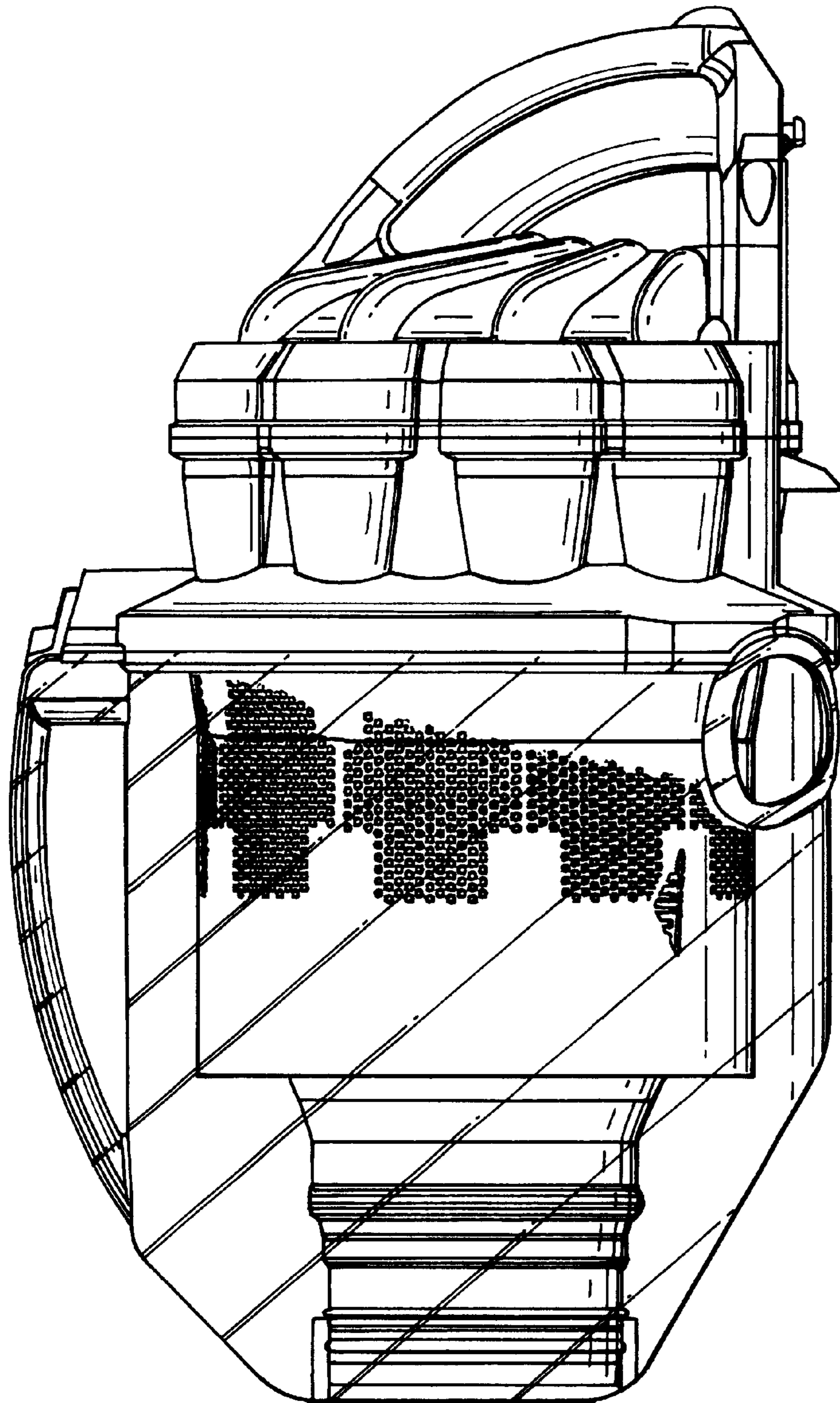


Fig. 6

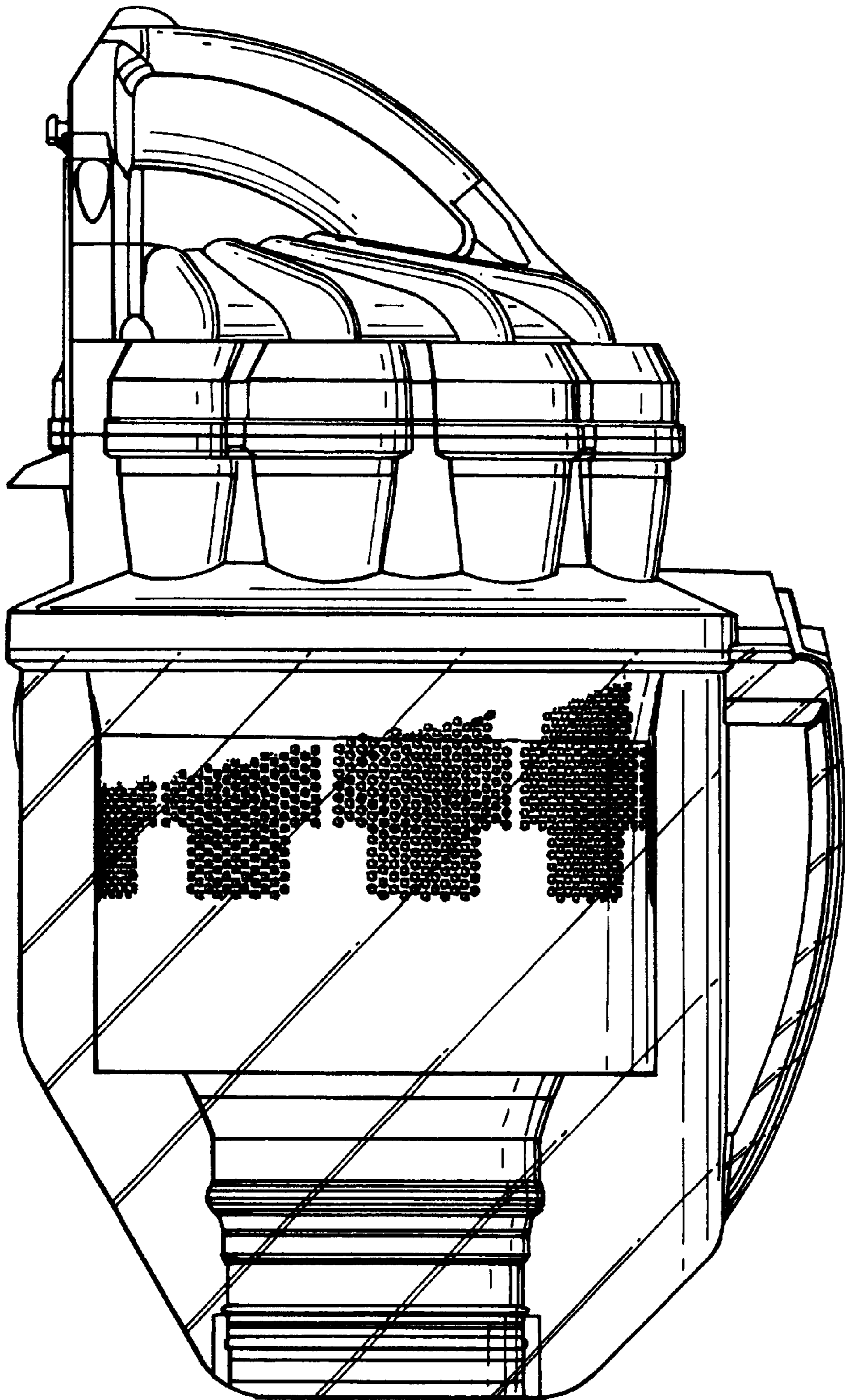


Fig. 7