



US00D471682S

(12) **United States Design Patent**  
**Chen**

(10) **Patent No.:** **US D471,682 S**

(45) **Date of Patent:** **\*\* Mar. 11, 2003**

(54) **STEAM CLEANER**

(76) Inventor: **Chung Ming Chen**, 7F-1, No.245,  
Sec.3, Roosevelt Rd., Taipei (TW)

(\*\*) Term: **14 Years**

(21) Appl. No.: **29/116,998**

(22) Filed: **Jan. 14, 2000**

(30) **Foreign Application Priority Data**

Jan. 7, 2000 (CN) ..... 089300157

(51) **LOC (7) Cl.** ..... **15-05**

(52) **U.S. Cl.** ..... **D32/21**

(58) **Field of Search** ..... D32/17-18, 21,  
D32/31; D28/12; 219/222; 15/320, 329,  
344, 352-353, 327.1, 327.2, 327.3, 327.4,  
327.6, 327.7; 38/77.1, 77.5; 68/222; 392/404,  
405; 601/6

(56) **References Cited**

**U.S. PATENT DOCUMENTS**

D338,292 S \* 8/1993 Schmitz et al. .... D32/21  
D338,989 S \* 8/1993 Ambrosiano ..... D32/15  
5,613,271 A \* 3/1997 Thomas ..... 15/321

5,749,120 A \* 5/1998 Amoretti ..... 15/339  
D399,617 S \* 10/1998 Fujita ..... D32/21  
D417,046 S \* 11/1999 Tsuruha et al. .... D32/21  
D421,165 S \* 2/2000 Joiner et al. .... D32/35  
D423,156 S \* 4/2000 Joiner et al. .... D32/35  
D430,366 S \* 8/2000 Sato et al. .... D32/21

\* cited by examiner

*Primary Examiner*—Ruth McInroy

(74) *Attorney, Agent, or Firm*—Troxell Law Office PLLC

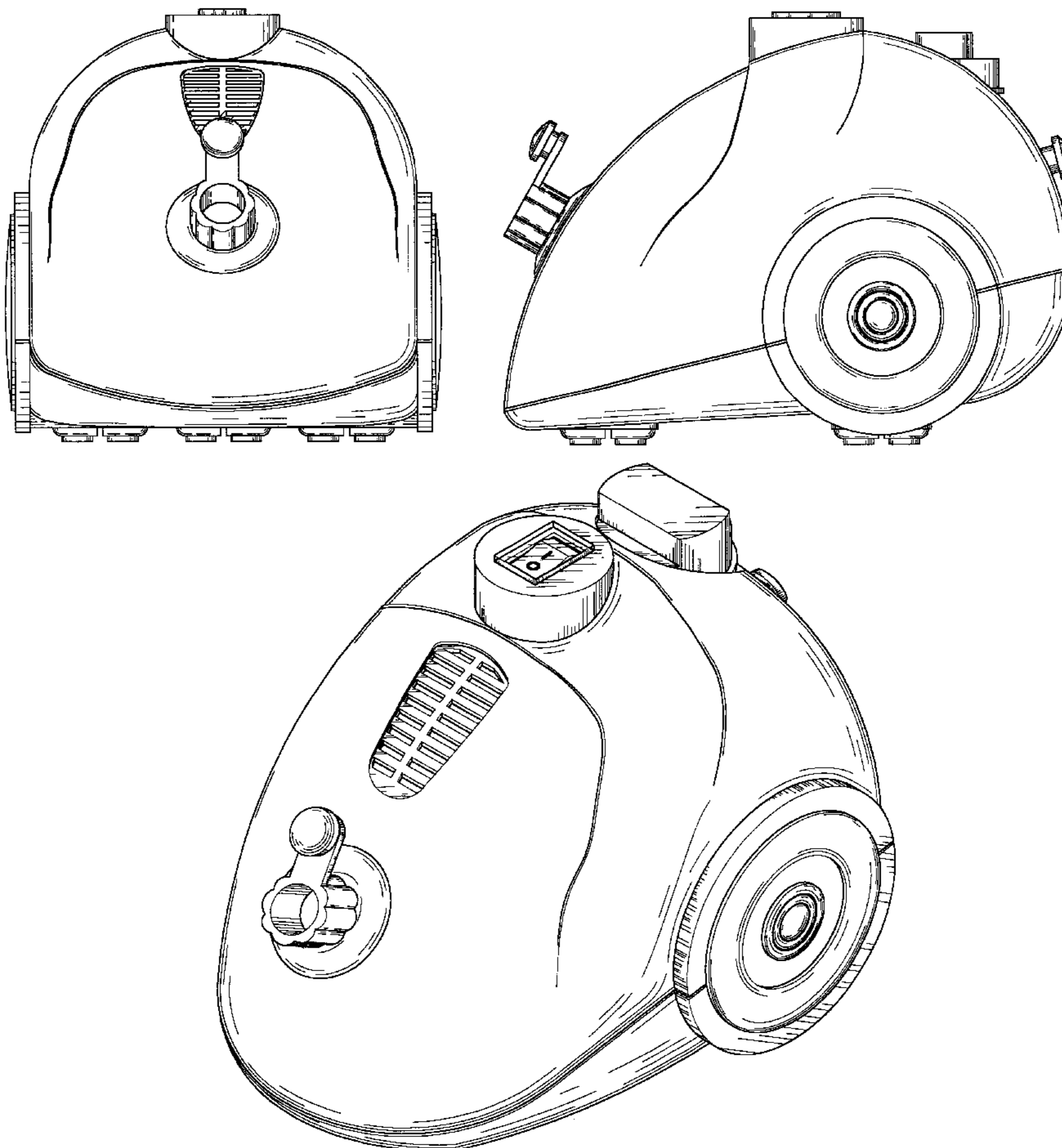
(57) **CLAIM**

The ornamental design for a steam cleaner, as shown and described.

**DESCRIPTION**

FIG. 1 is a front elevational view of a steam cleaner showing my new design;  
FIG. 2 is a rear elevational view thereof;  
FIG. 3 is a left side elevational view thereof;  
FIG. 4 is a right side elevational view thereof;  
FIG. 5 is a top plan view thereof;  
FIG. 6 is a bottom plan view thereof; and,  
FIG. 7 is a perspective view thereof.

**1 Claim, 4 Drawing Sheets**



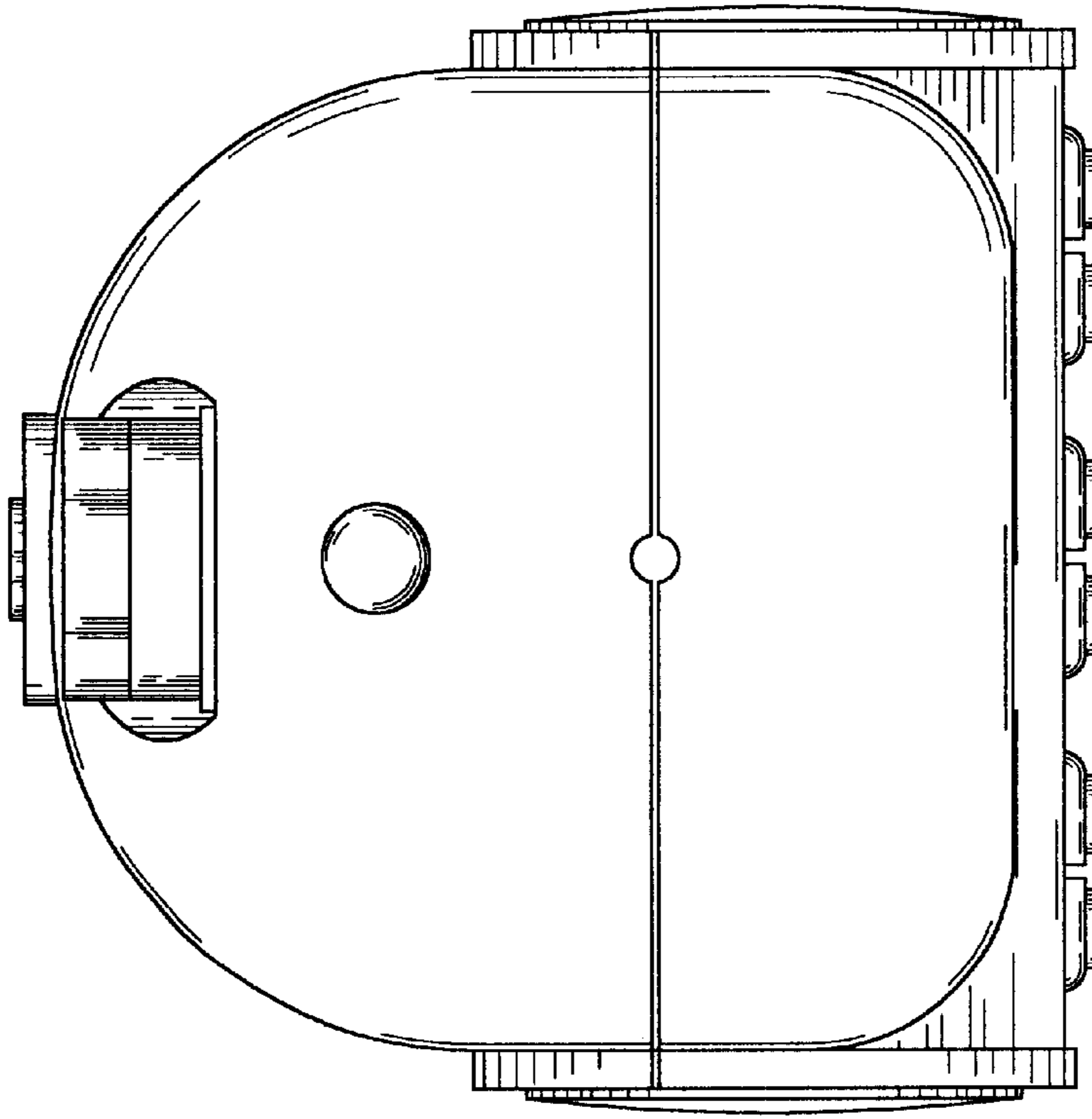


FIG.2

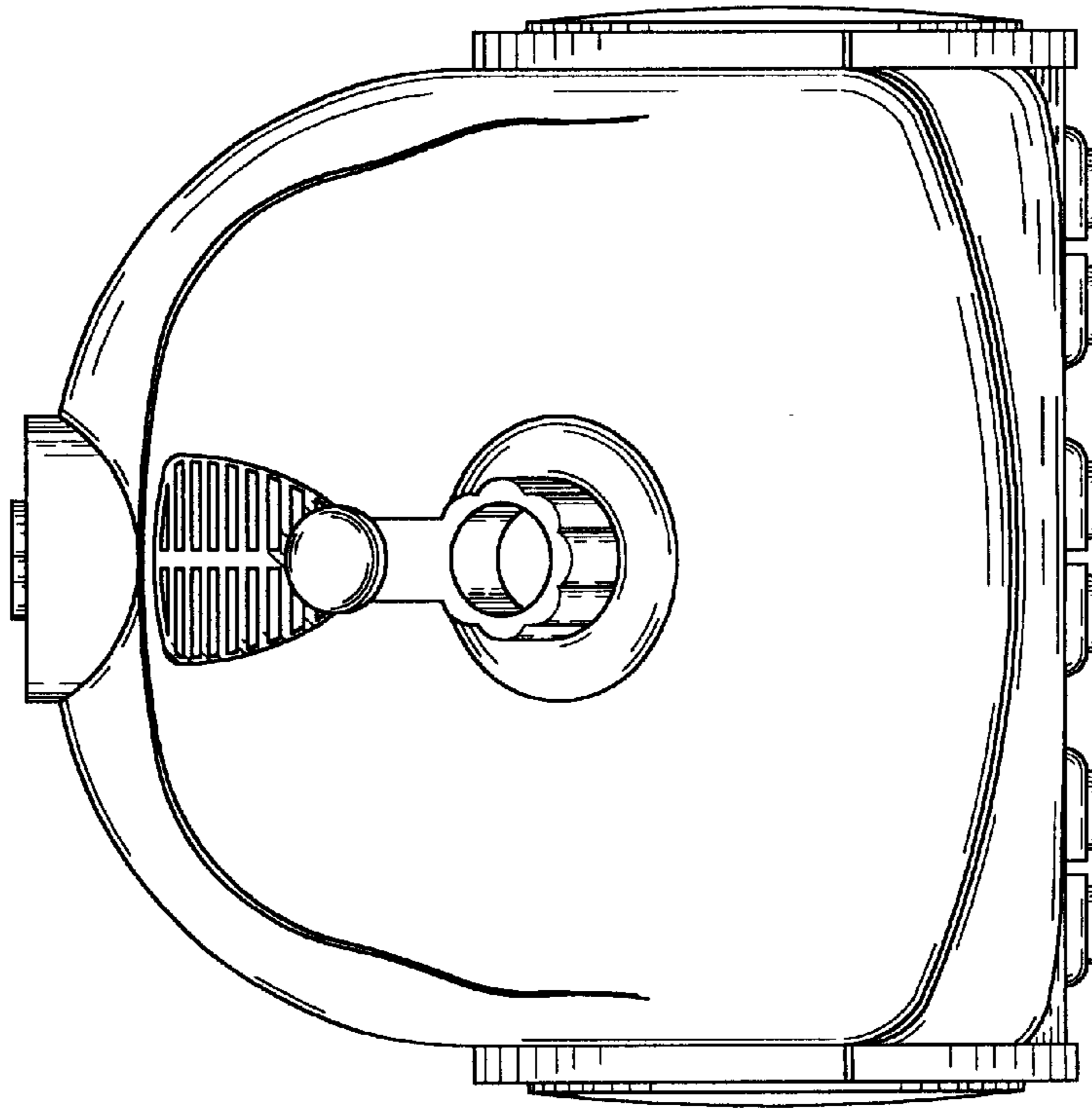


FIG.1

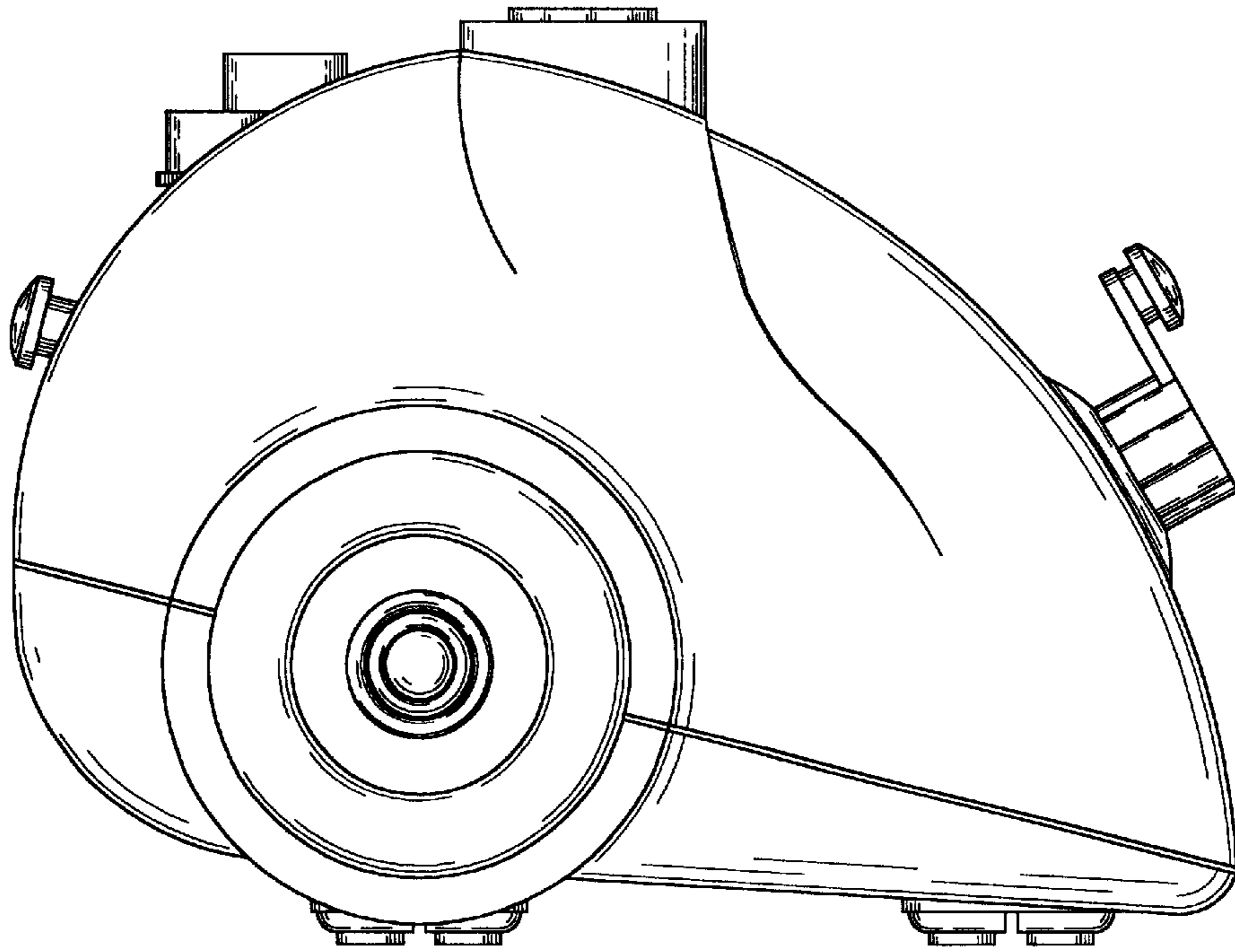


FIG.3

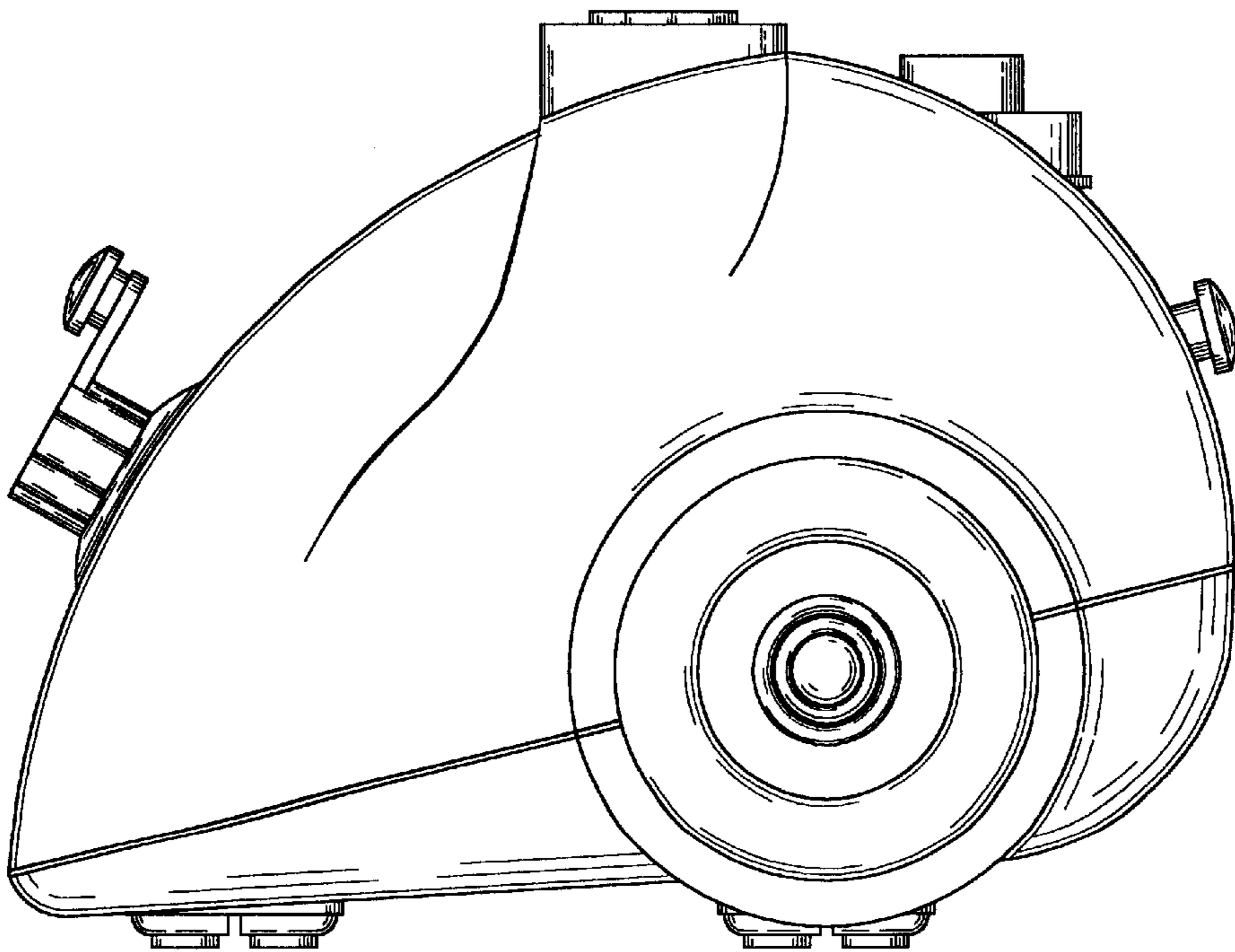


FIG.4

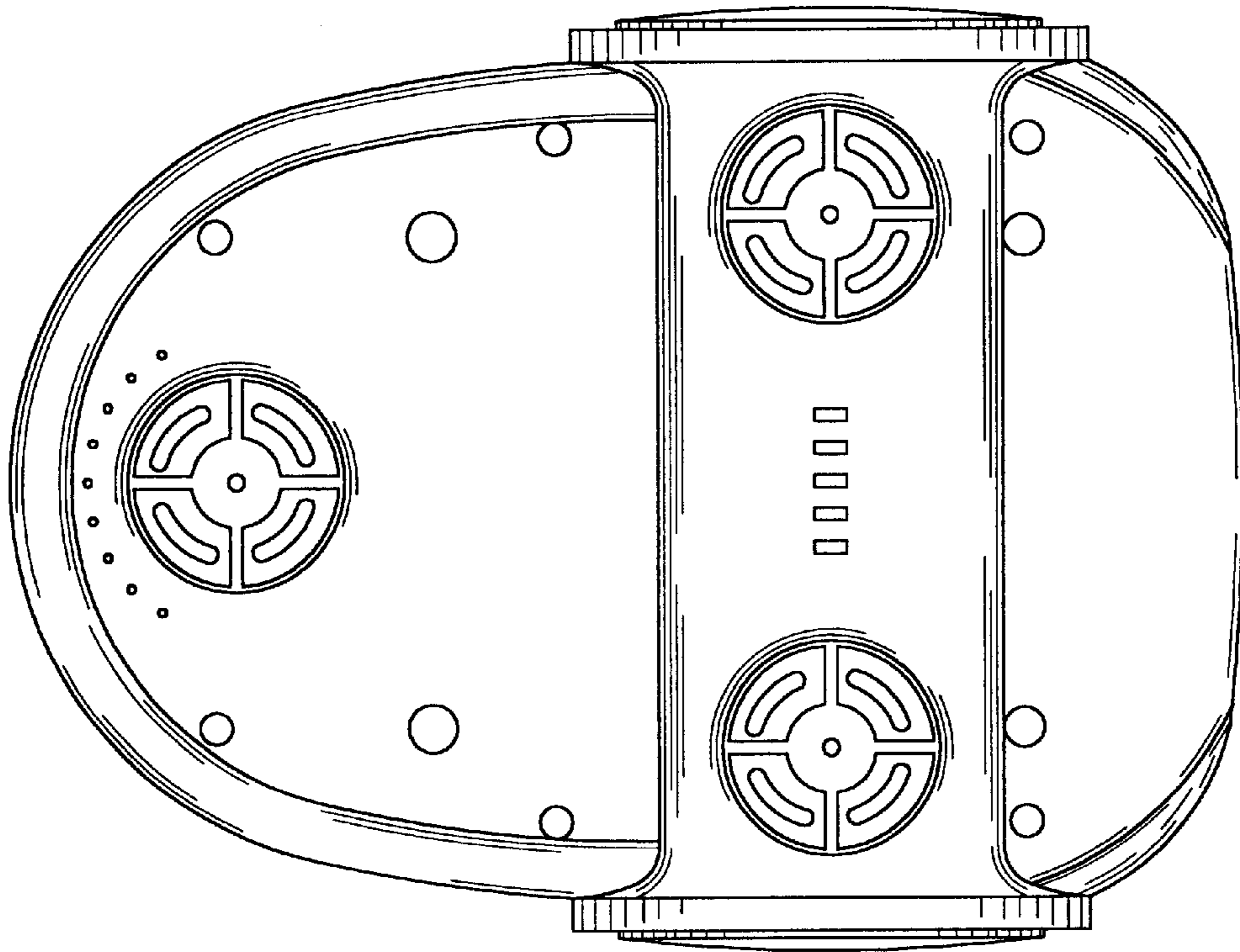


FIG. 6

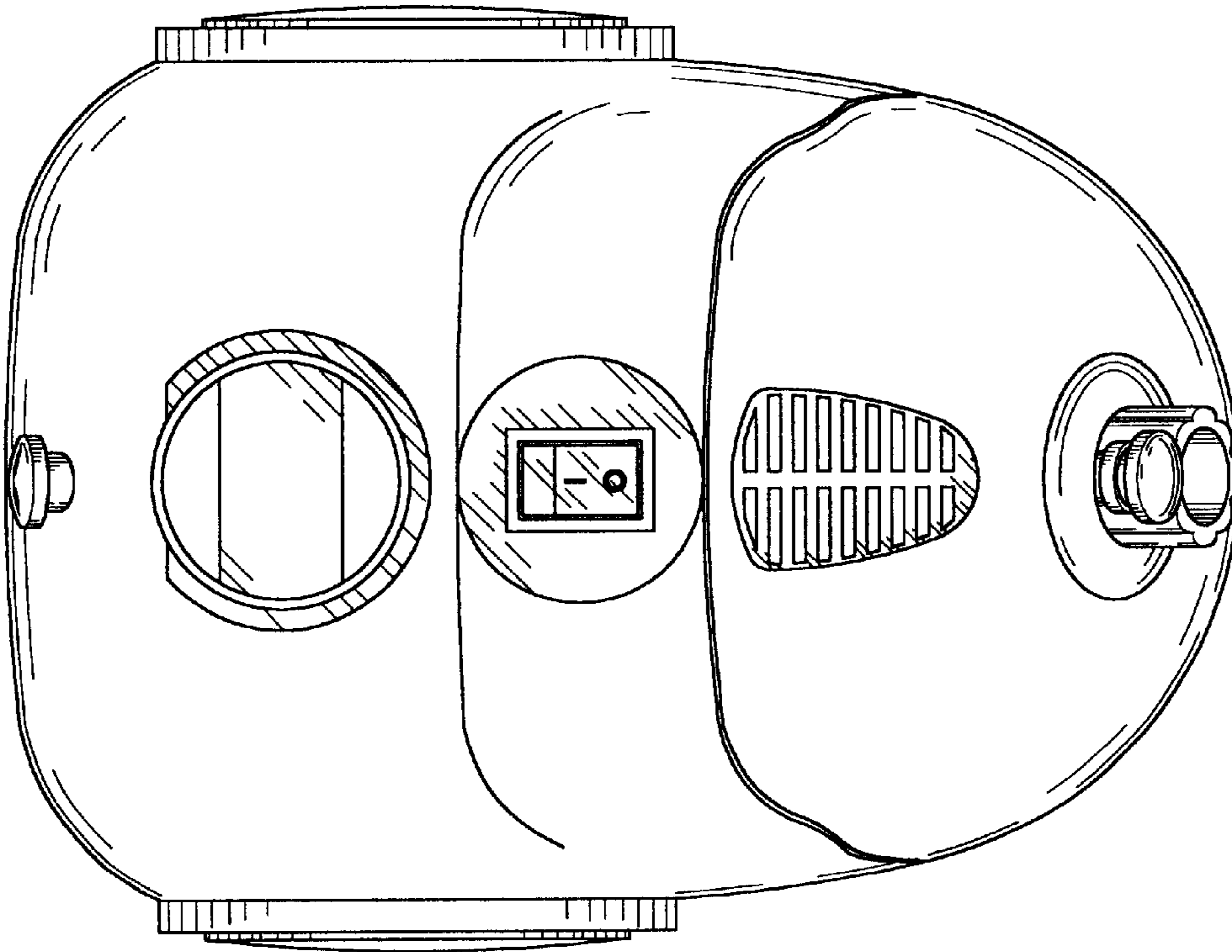


FIG. 5

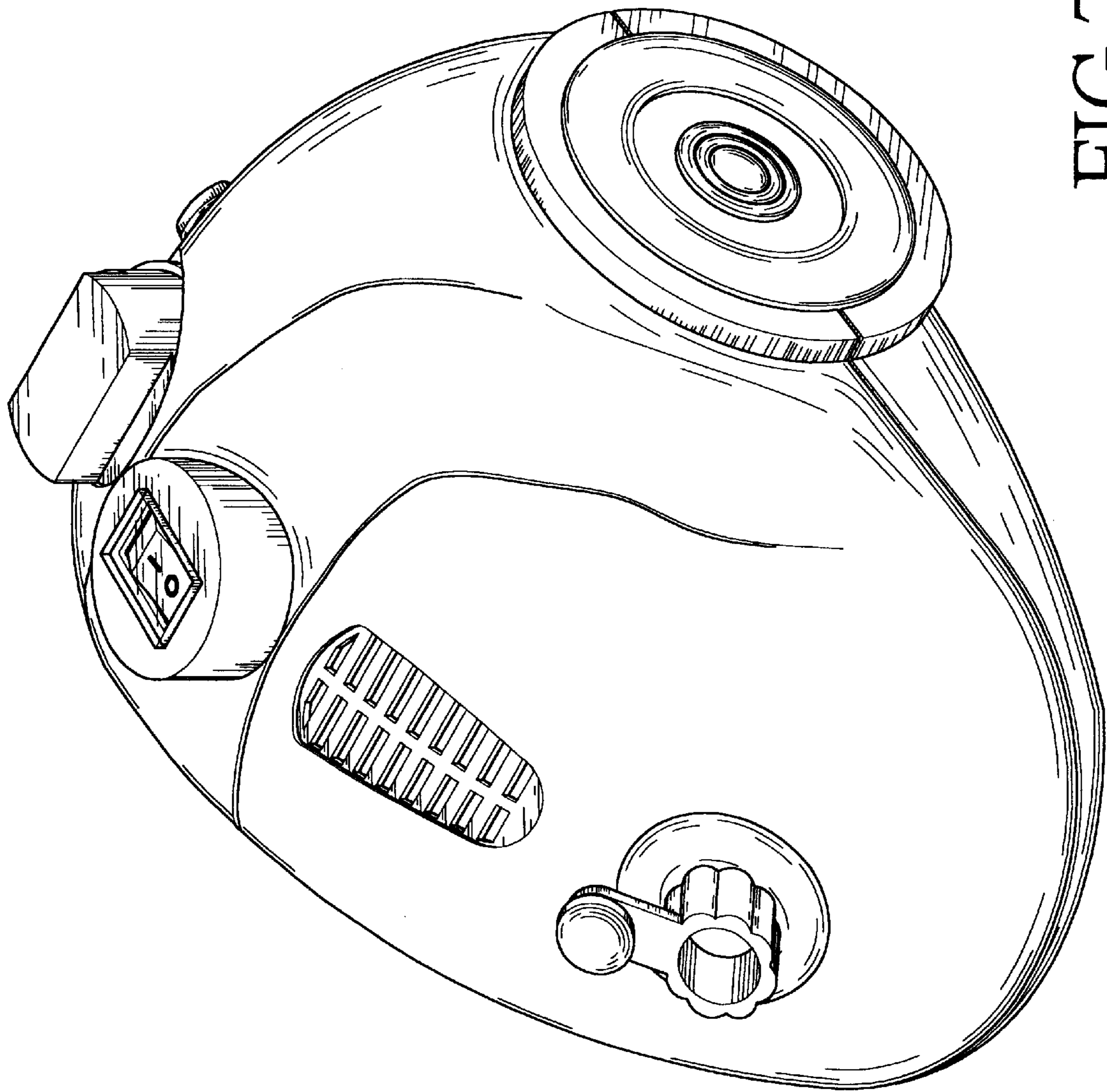


FIG. 7