



US00D471681S

(12) **United States Design Patent**
Krieger et al.

(10) **Patent No.:** **US D471,681 S**

(45) **Date of Patent:** **** Mar. 11, 2003**

(54) **BUFFER WITH DUAL HAND GRIP**

(75) Inventors: **Michael Krieger**, Miami Beach, FL
(US); **Kevin Ellsworth**, Hollywood, FL
(US)

(73) Assignee: **Vector Products, Inc.**, Ft. Lauderdale,
FL (US)

(**) Term: **14 Years**

(21) Appl. No.: **29/158,158**

(22) Filed: **Apr. 1, 2002**

(51) **LOC (7) Cl.** **15-05**

(52) **U.S. Cl.** **D32/15**

(58) **Field of Search** D32/1, 15, 19;
D8/61-70; 15/97.1, DIG. 10; 451/353-360,
344

(56) **References Cited**

U.S. PATENT DOCUMENTS

- D252,731 S * 8/1979 Parise D8/62
- D254,231 S * 2/1980 Burglin et al. D8/62
- D312,714 S * 12/1990 Simonelli et al. D32/19
- D313,094 S * 12/1990 Itaya et al. D32/19

- D349,789 S * 8/1994 Bunyea D32/19
- D379,749 S * 6/1997 Gildersleeve et al. D8/67
- D391,698 S * 3/1998 McCracken et al. D32/15
- D418,264 S * 12/1999 Rees D32/19
- 6,168,507 B1 * 1/2001 McCracken 451/357

* cited by examiner

Primary Examiner—Nelson C. Holtje

(74) *Attorney, Agent, or Firm*—Robert Kinberg; Venable,
LLP

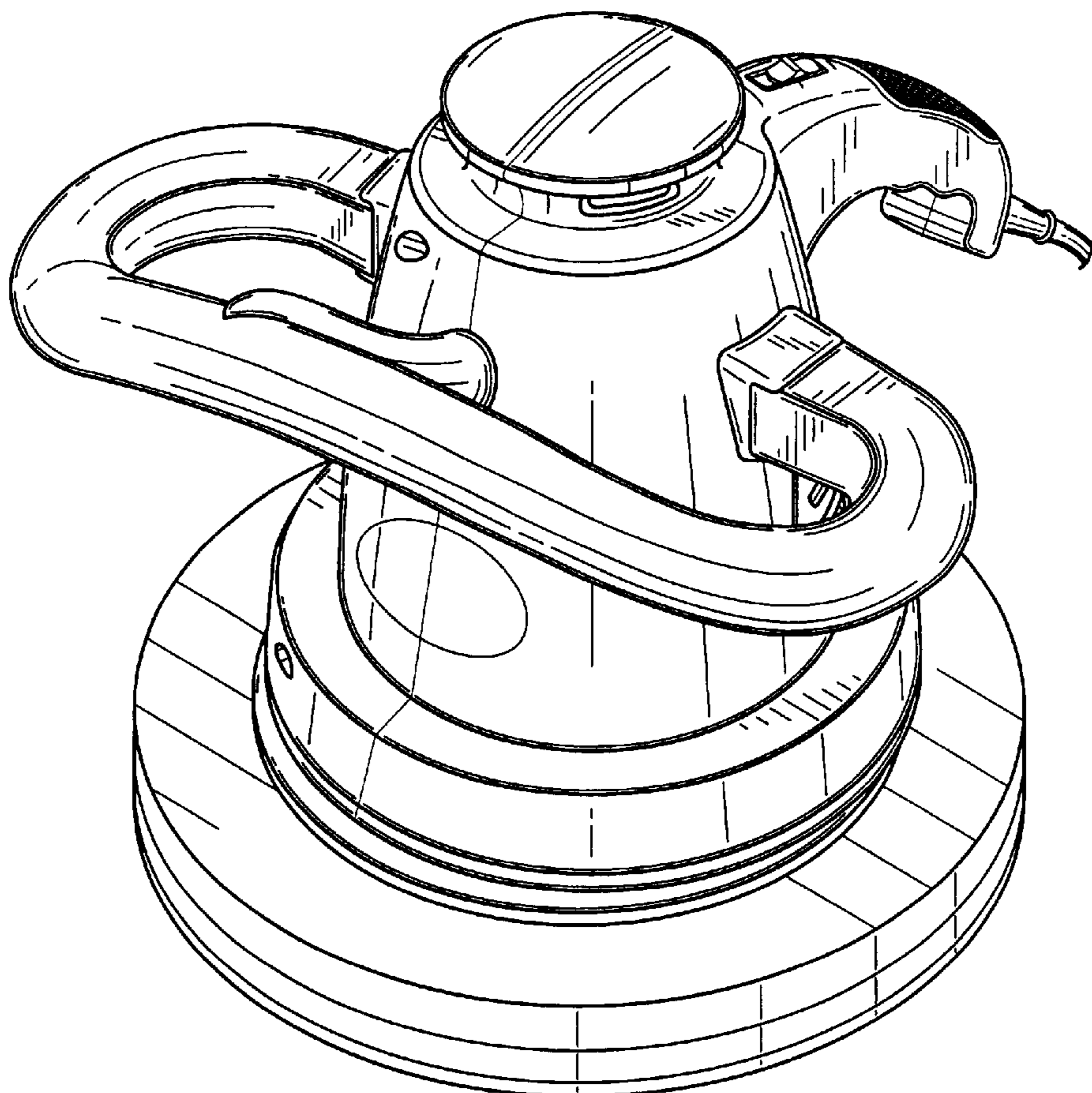
(57) **CLAIM**

The ornamental design for a buffer with dual hand grip, as shown and described.

DESCRIPTION

FIG. 1 is a top-front-right perspective view of the buffer with dual hand grip showing our new design;
FIG. 2 is a front view of the design shown in FIG. 1;
FIG. 3 is a back view of the design shown in FIG. 1;
FIG. 4 is a left side view of the design shown in FIG. 1;
FIG. 5 is a right side view of the design shown in FIG. 1;
FIG. 6 is a top view of the design shown in FIG. 1; and,
FIG. 7 is a bottom view of the design shown in FIG. 1.

1 Claim, 5 Drawing Sheets



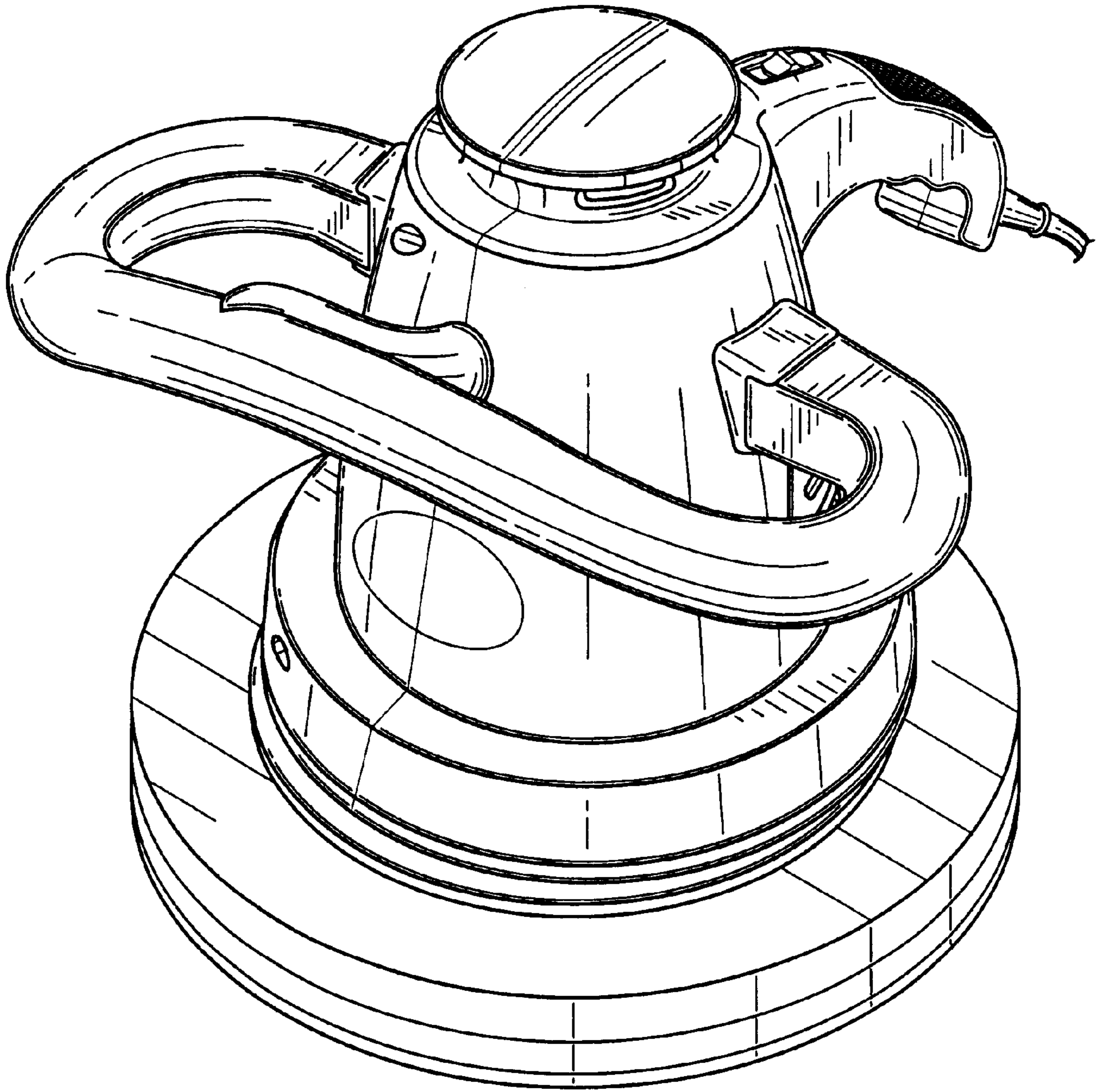


FIG. 1

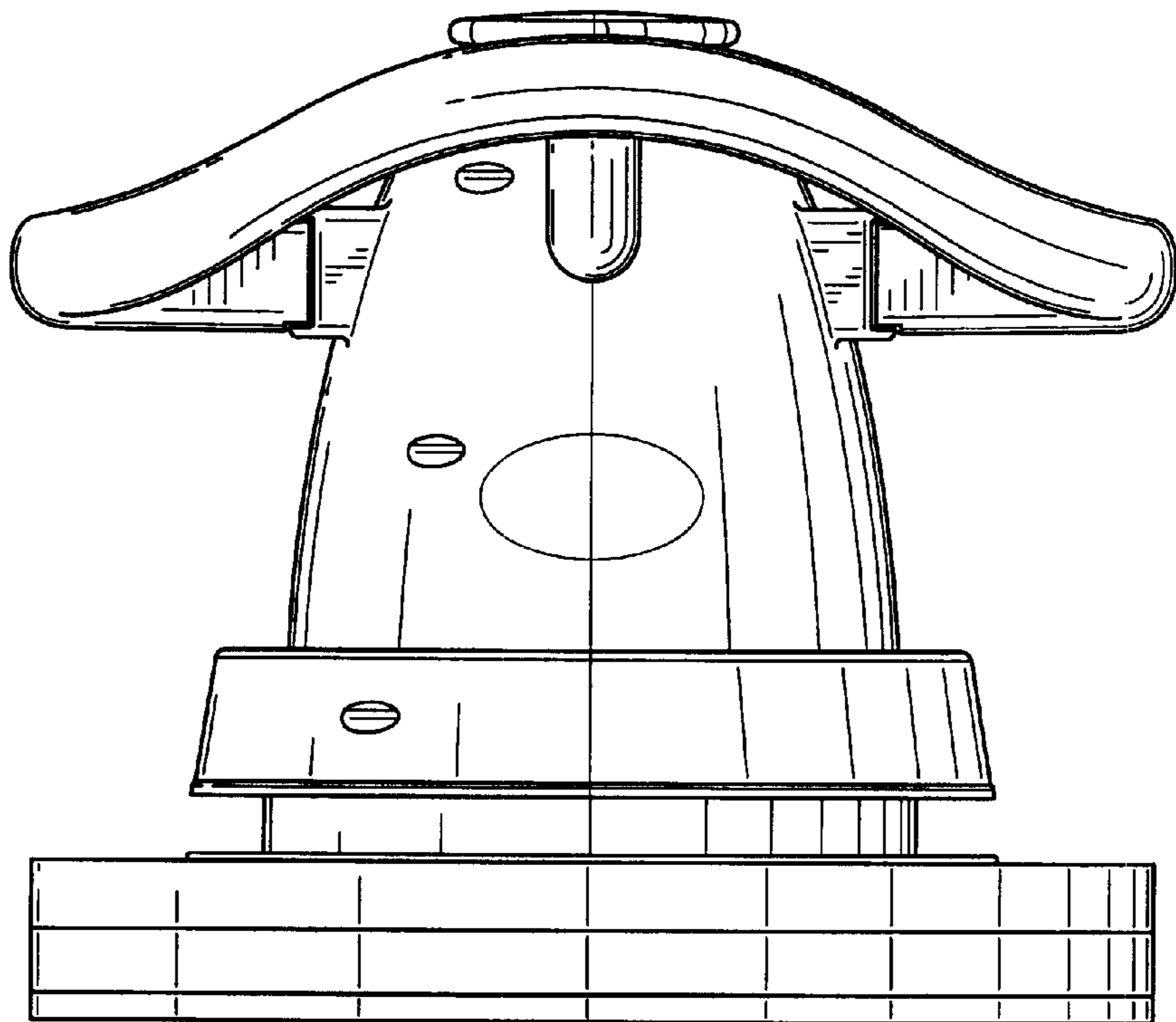


FIG. 2

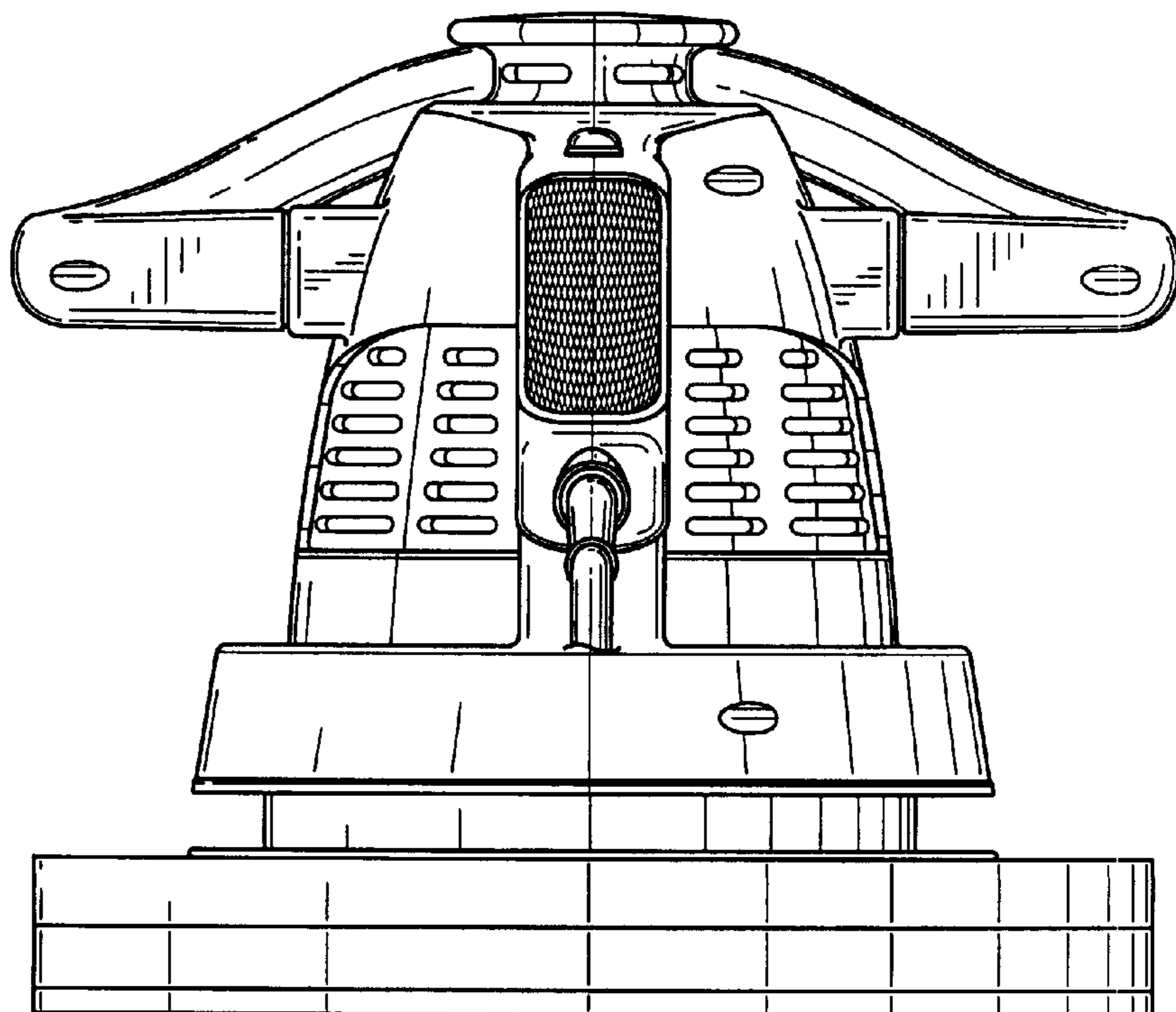


FIG. 3

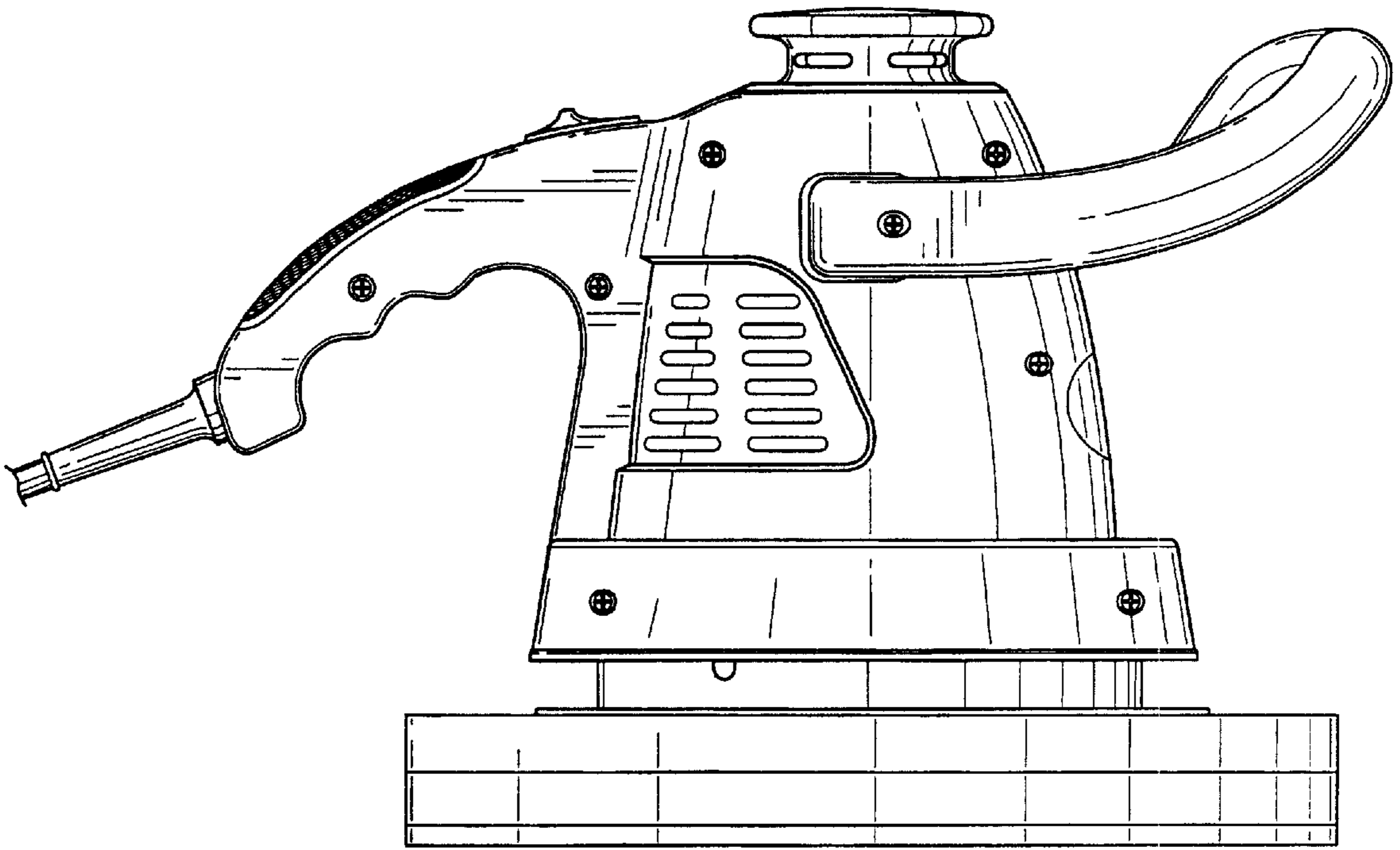


FIG. 4

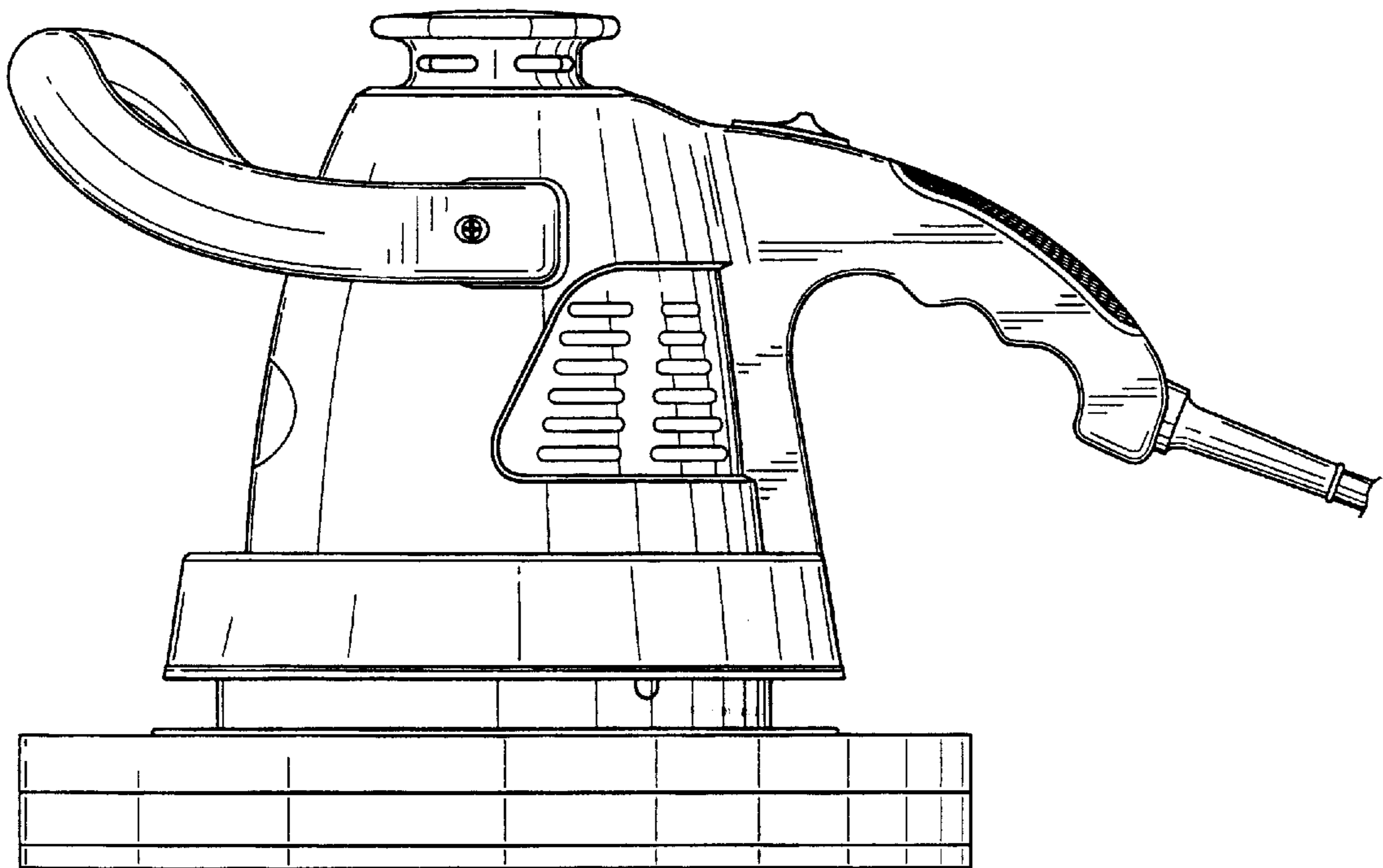


FIG. 5

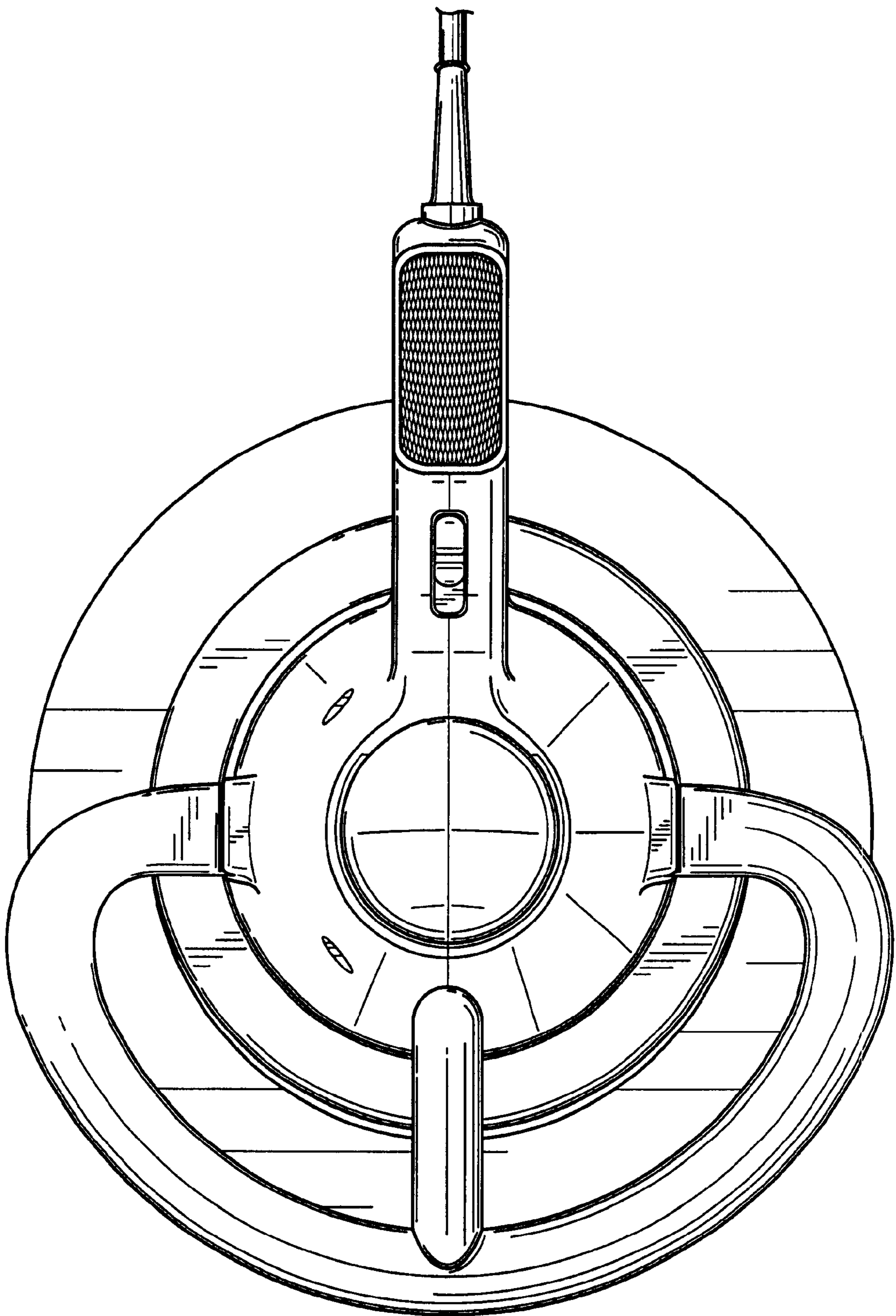


FIG. 6

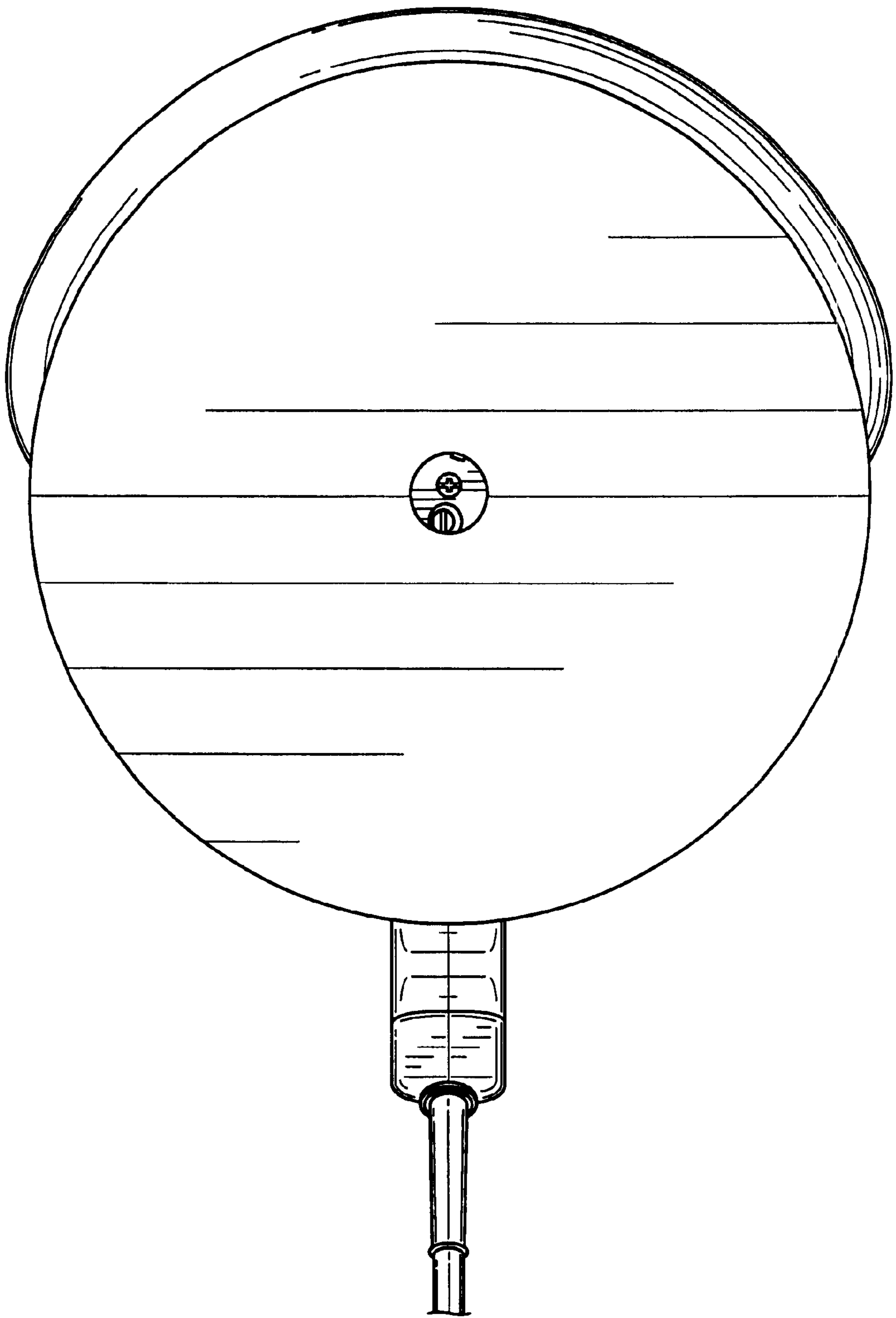


FIG. 7