



US00D471680S

(12) **United States Design Patent**  
**Tokumaru et al.**

(10) **Patent No.:** **US D471,680 S**

(45) **Date of Patent:** **\*\* Mar. 11, 2003**

(54) **LEAF BLOWER**

(75) Inventors: **Phillip T. Tokumaru**, Monrovia, CA (US); **Bart D. Hibbs**, Altadena, CA (US); **Scott C. Newbern**, Simi Valley, CA (US); **Thomas Zambrano**, Long Beach, CA (US)

(73) Assignee: **Aerovironment, Inc.**, Monrovia, CA (US)

(\*\*) Term: **14 Years**

(21) Appl. No.: **29/146,813**

(22) Filed: **Aug. 14, 2001**

(51) **LOC (7) Cl.** ..... **15-05**

(52) **U.S. Cl.** ..... **D32/15**

(58) **Field of Search** ..... D32/1, 15, 16, D32/17, 25; 15/328, 329, 330, 344, 345, 404, 405, 409, 414, 339, 415.1, 413, 326; 417/236, 423.1, 423.3

(56) **References Cited**

**U.S. PATENT DOCUMENTS**

5,477,585 A \* 12/1995 Hentzschel et al. .... 15/330

5,511,281 A \* 4/1996 Webster ..... 15/330  
5,522,115 A \* 6/1996 Webster ..... 15/330  
5,727,283 A \* 3/1998 Webster ..... 15/409  
6,000,096 A \* 12/1999 Everts et al. .... 15/330

\* cited by examiner

*Primary Examiner*—Martie K. Holtje

(74) *Attorney, Agent, or Firm*—William W. Haefliger

(57) **CLAIM**

The ornamental design for a leaf blower, substantially as shown and described.

**DESCRIPTION**

FIG. 1 is a right side view of the leaf blower;  
FIG. 2 is a left side view of the leaf blower;  
FIG. 3 is a top view of the leaf blower;  
FIG. 4 is a bottom view of the leaf blower;  
FIG. 5 is a front end view of the leaf blower; and  
FIG. 6 is a rear end view of the leaf blower; and,  
FIG. 7 is a perspective view of the leaf blower.

**1 Claim, 5 Drawing Sheets**

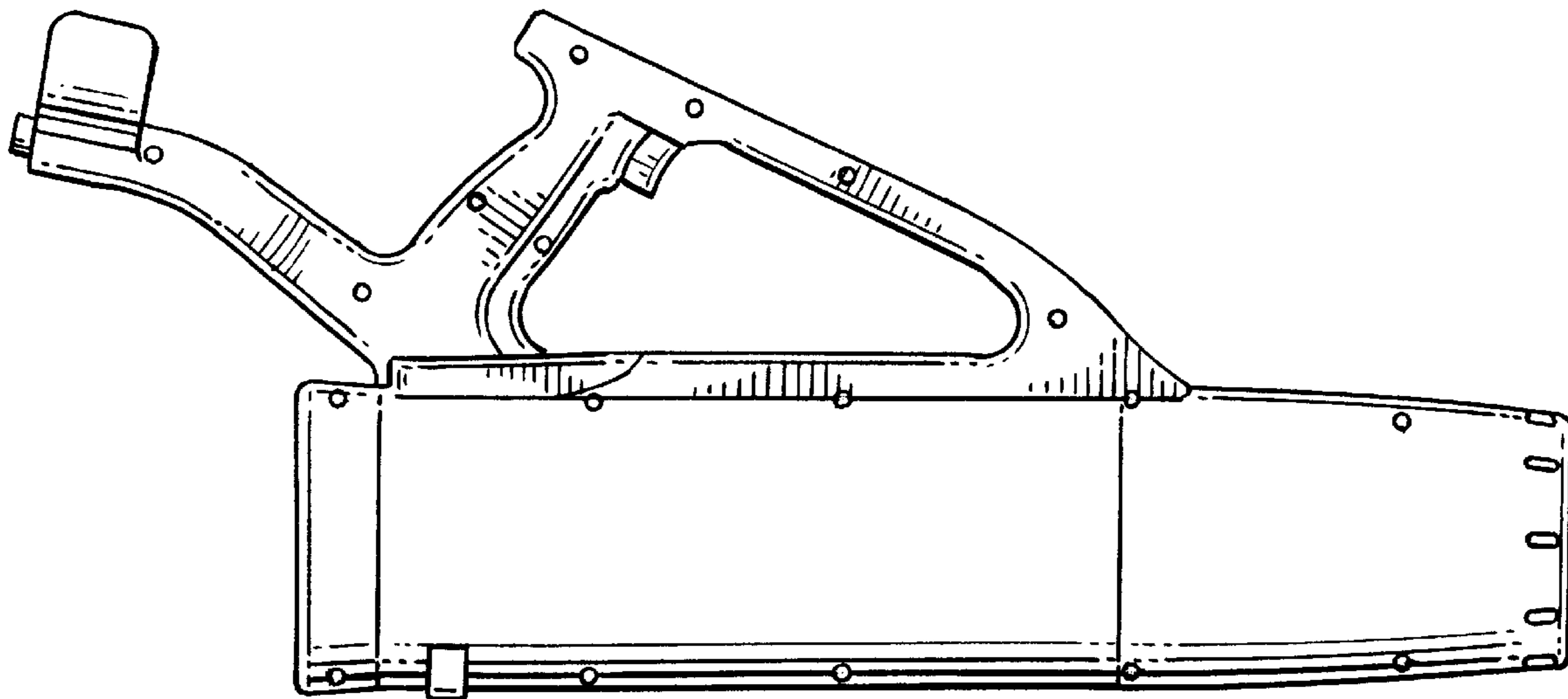
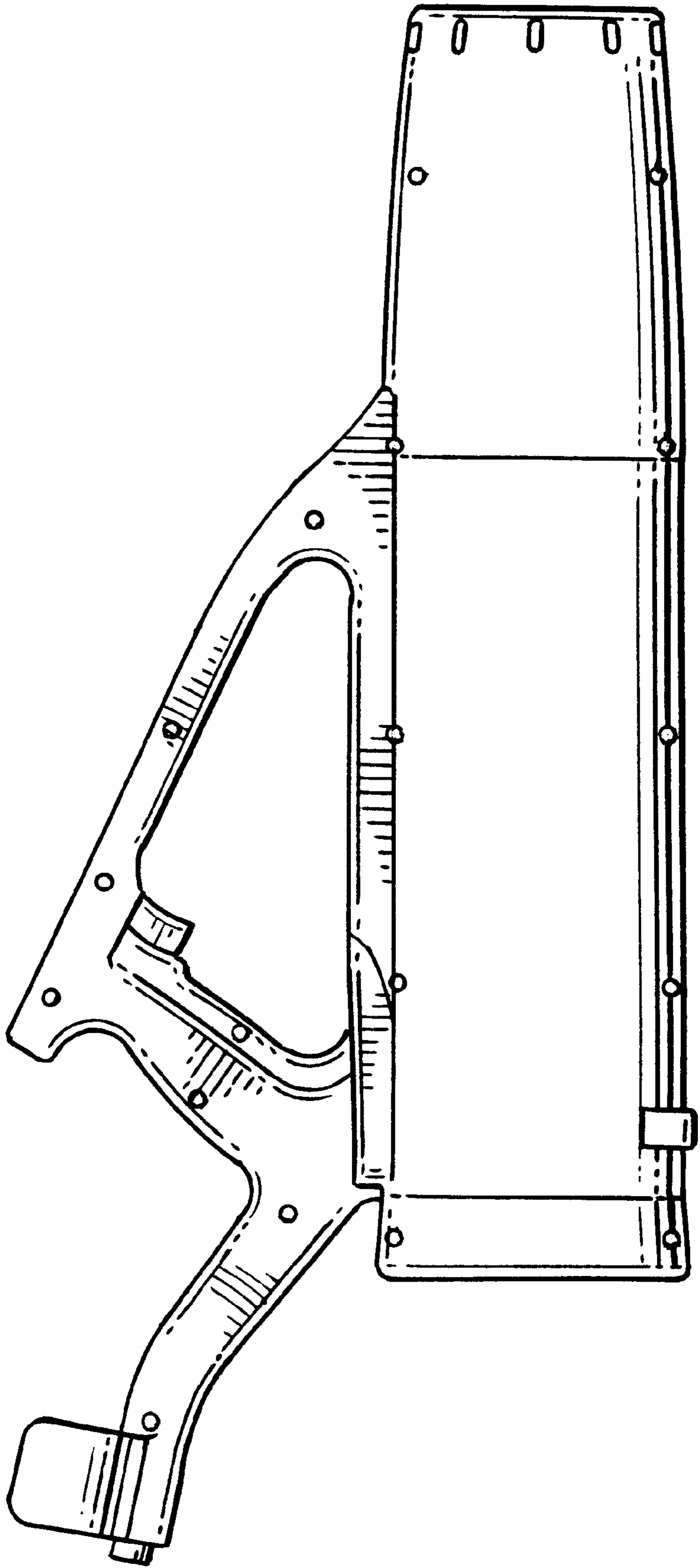


FIG. 1.



*FIG. 2.*

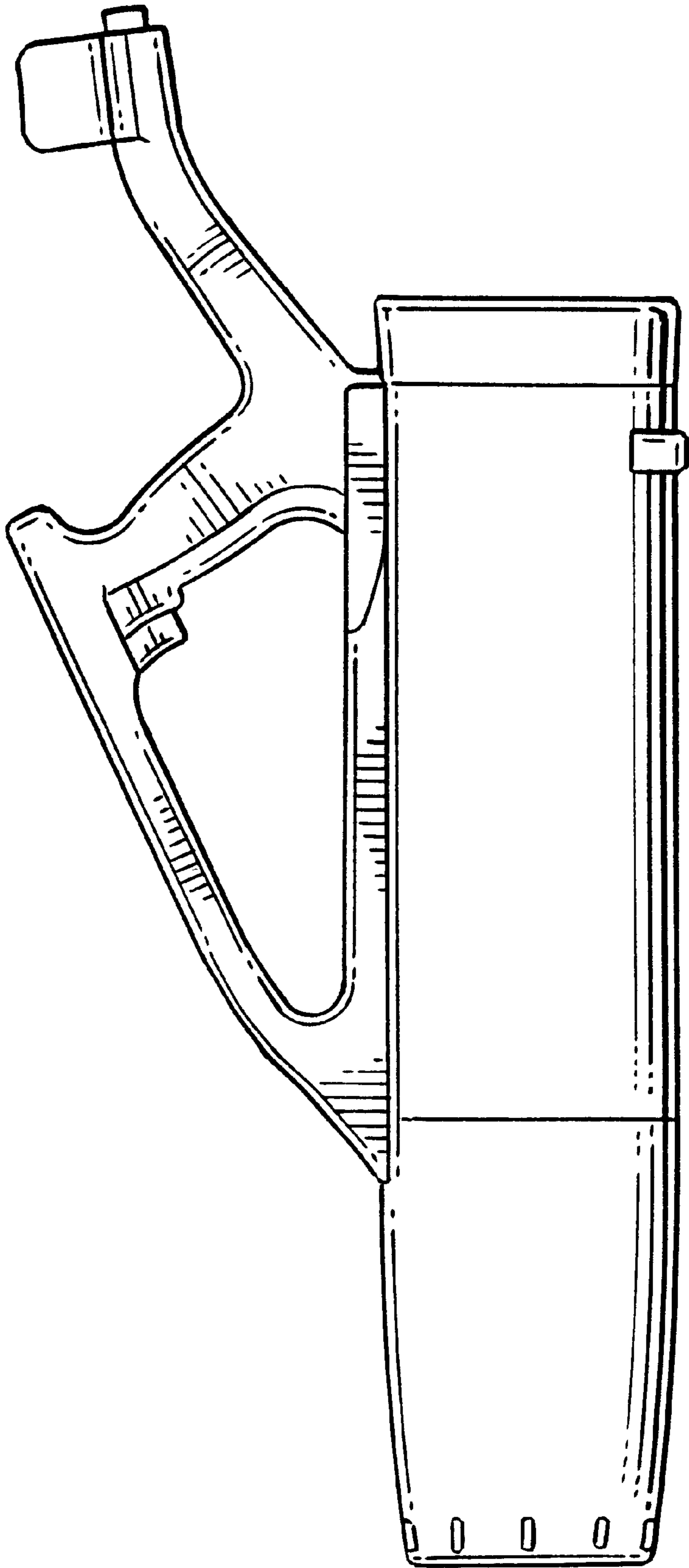


FIG. 3.

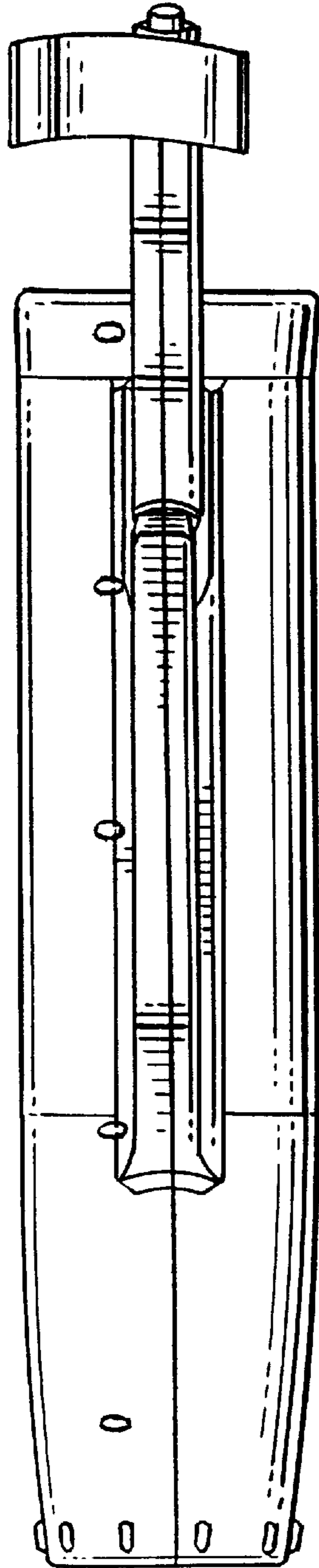
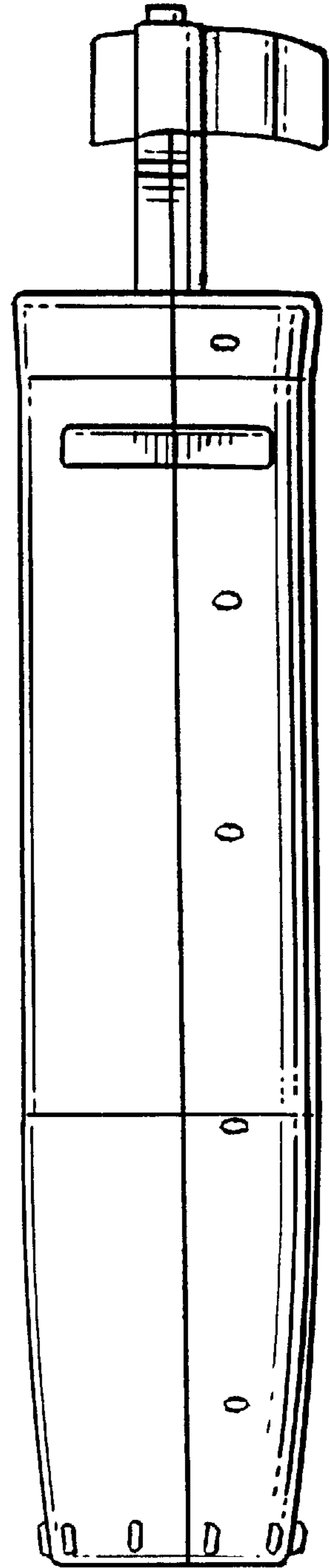
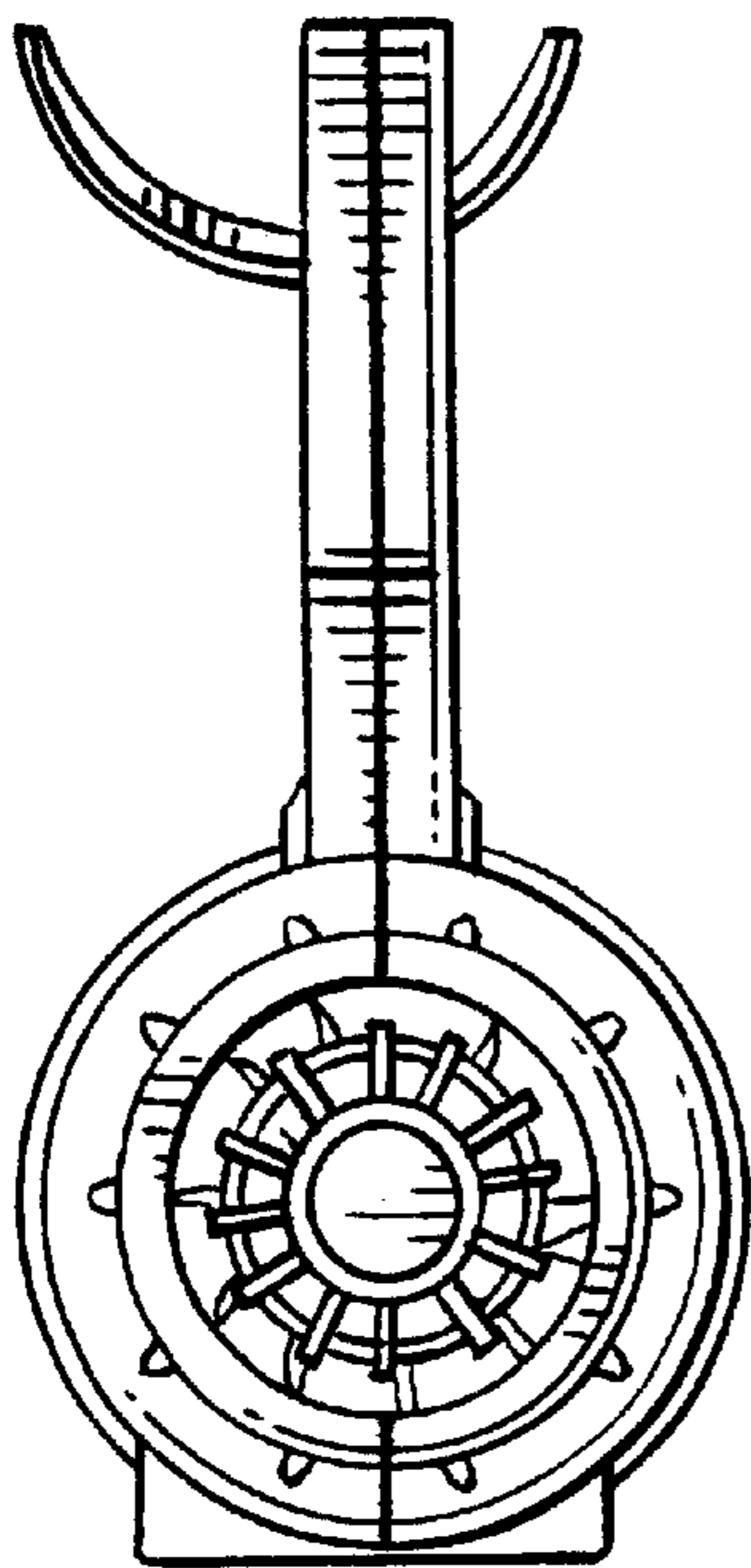


FIG. 4.



*FIG. 5.*



*FIG. 6.*

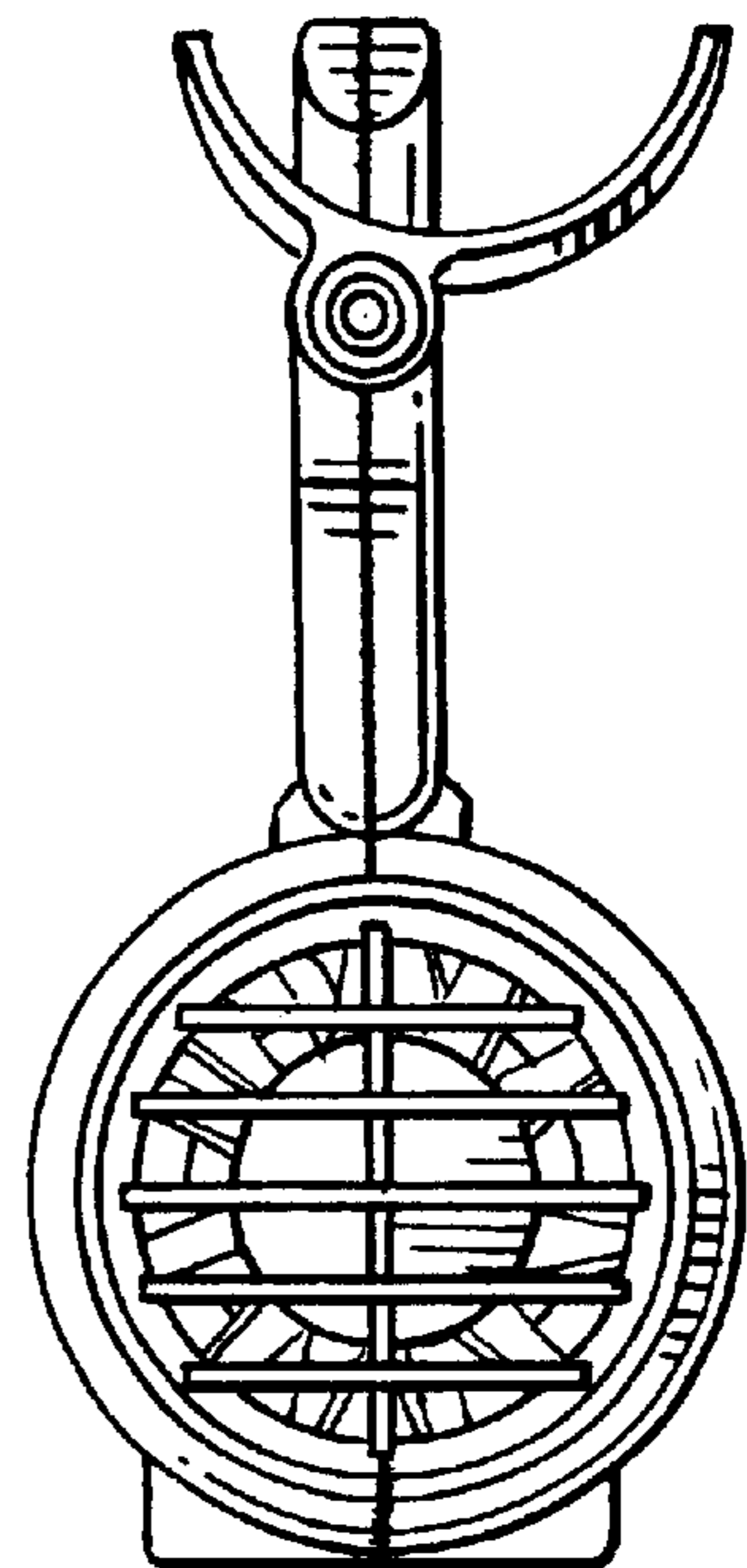


FIG. 7.

