



US00D471679S

(12) **United States Design Patent**  
**Henzey**

(10) **Patent No.:** **US D471,679 S**

(45) **Date of Patent:** **\*\* Mar. 11, 2003**

(54) **DISHWASHER NET RETAINING APPARATUS**

(75) Inventor: **Margaret A. Henzey**, Medina, OH (US)

(73) Assignee: **KIS Industries, Ltd.**, Medina, OH (US)

(\*\*) Term: **14 Years**

(21) Appl. No.: **29/155,258**

(22) Filed: **Feb. 8, 2002**

(51) **LOC (7) Cl.** ..... **15-05**

(52) **U.S. Cl.** ..... **D32/3**

(58) **Field of Search** ..... D32/1-3, 28; 137/374; 134/135, 56 D, 57 D, 58 D, 92; 220/488; 211/133.5, 41.8, 41.9; D5/11-12; D25/118, 156

(56) **References Cited**

**U.S. PATENT DOCUMENTS**

4,008,548	A	*	2/1977	Leclerc	.....	52/180
4,339,051	A	*	7/1982	Crawford	.....	220/607
D274,948	S	*	7/1984	Swanson et al.	.....	D25/156
4,596,731	A	*	6/1986	Cudmore et al.	.....	52/180 X
D368,340	S	*	3/1996	Mussmacher et al.	.....	D32/3
5,518,126	A	*	5/1996	Davis	.....	211/41.8
D398,090	S	*	9/1998	Busby, Sr.	.....	D32/3
D398,091	S	*	9/1998	Badgett et al.	.....	D32/3
5,803,391	A	*	9/1998	Saperstein et al.	.....	211/41.8 X
5,988,406	A	*	11/1999	Leipziger	.....	211/41.9

\* cited by examiner

*Primary Examiner*—Louis S. Zarfes  
*Assistant Examiner*—Robert A. Delehanty  
(74) *Attorney, Agent, or Firm*—James A. Hudak

(57) **CLAIM**

I claim the ornamental design for a dishwasher net retaining apparatus, as shown and described.

**DESCRIPTION**

FIG. 1 is a top plan view of a dishwasher net retaining apparatus, showing my new design, the bottom plan view being identical to this Figure;

FIG. 2 is a front elevational view thereof, the right end elevational view, left end elevational view and rear elevational view being identical to this Figure;

FIG. 3 is a perspective view thereof showing the installation of the dishwasher net retaining apparatus on a dishwasher rack;

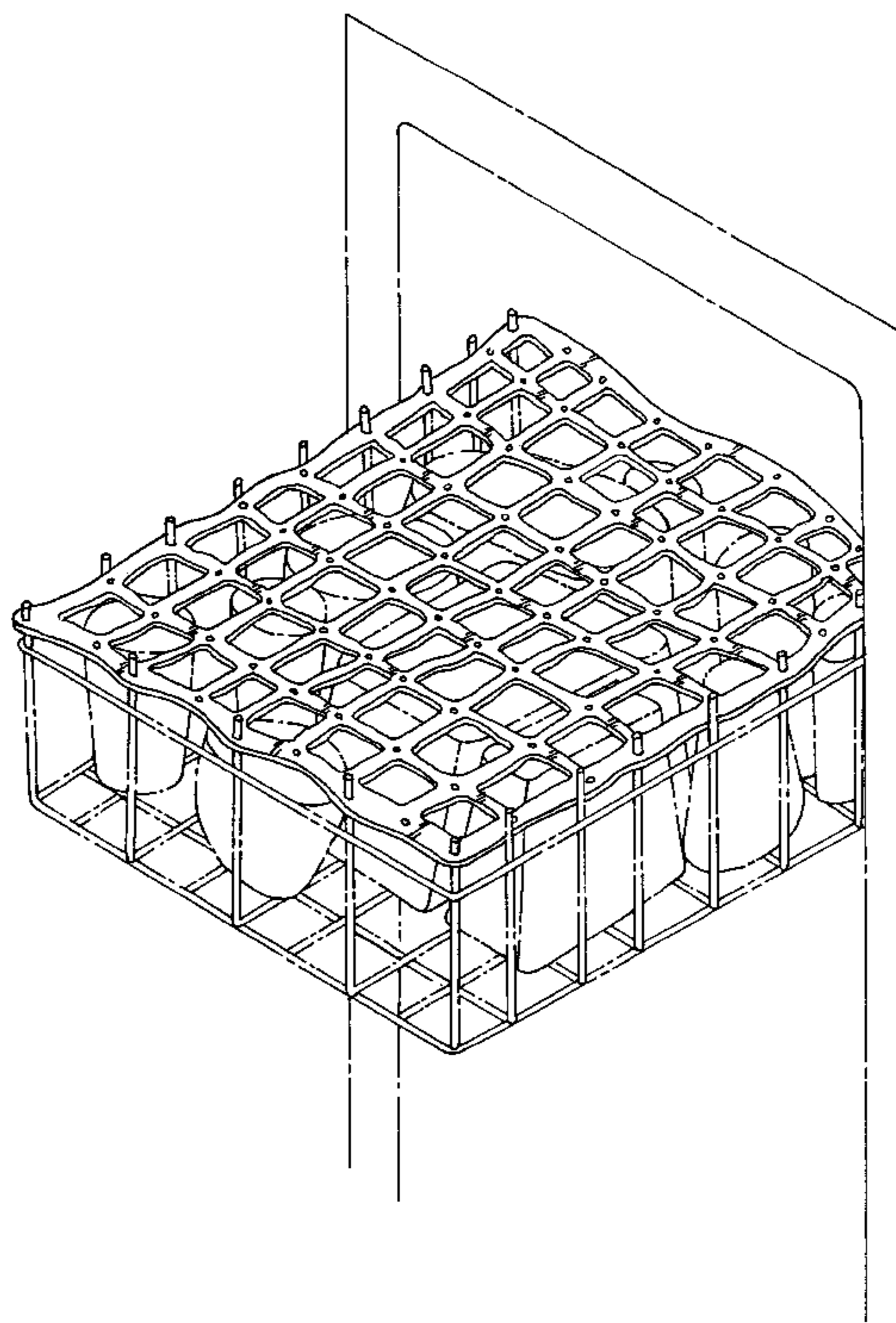
FIG. 4 is another perspective view thereof showing the installation of the dishwasher net retaining apparatus installed on a dishwasher rack through the use of "S" hooks;

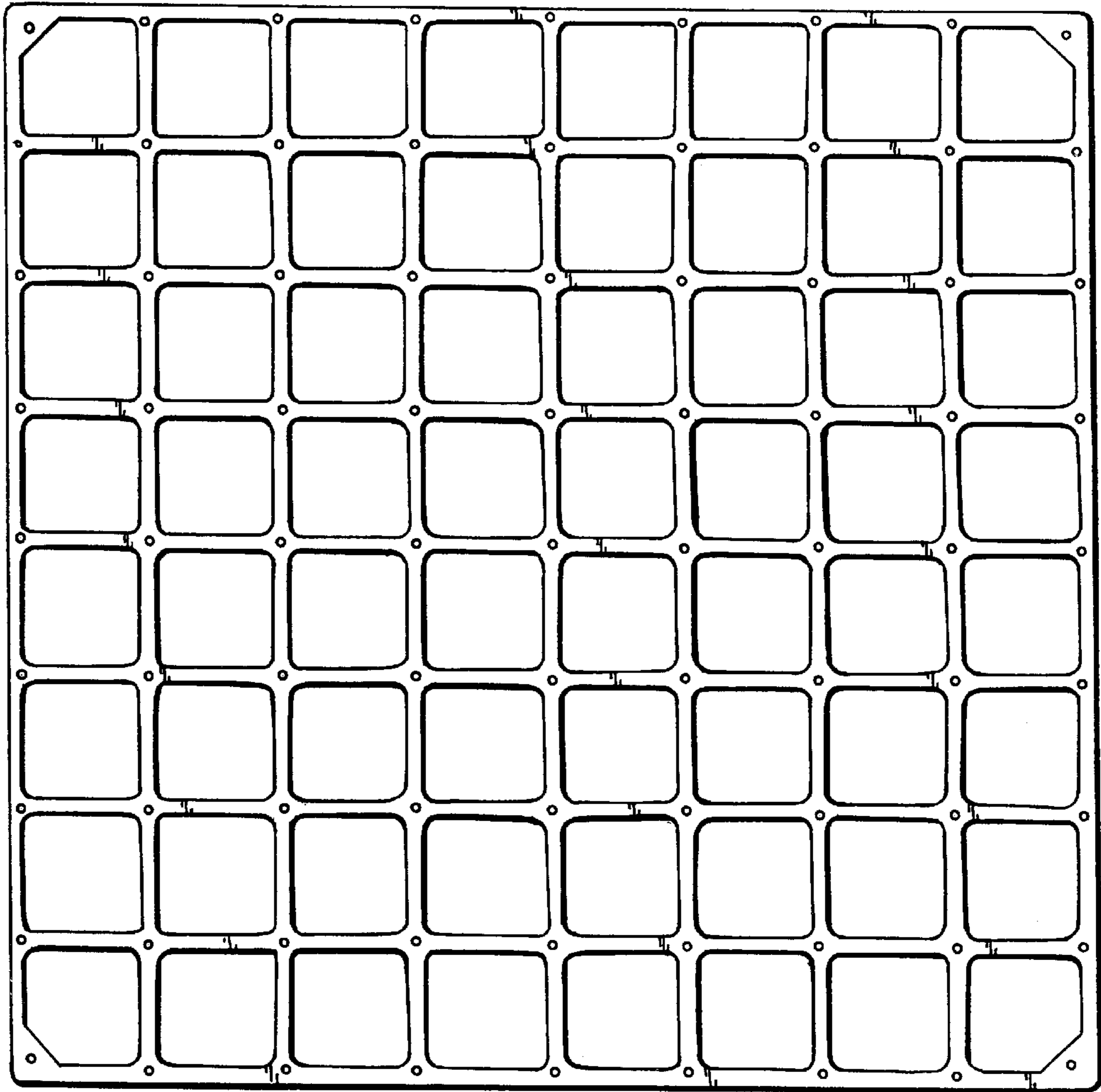
FIG. 5 is another perspective view of the dishwasher net retaining apparatus installed on a dishwasher rack and as shown in FIG. 3; and,

FIG. 6 is another perspective view of the dishwasher net retaining apparatus installed on a dishwasher rack through the use of "S" hooks and as shown in FIG. 4.

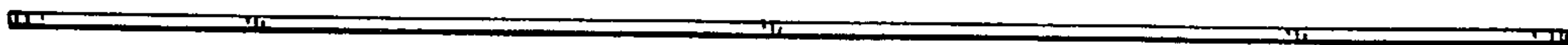
The broken lines showing of S-hooks and portions of a dishwasher are for illustrative purposes only and form no part of the claimed design.

**1 Claim, 5 Drawing Sheets**

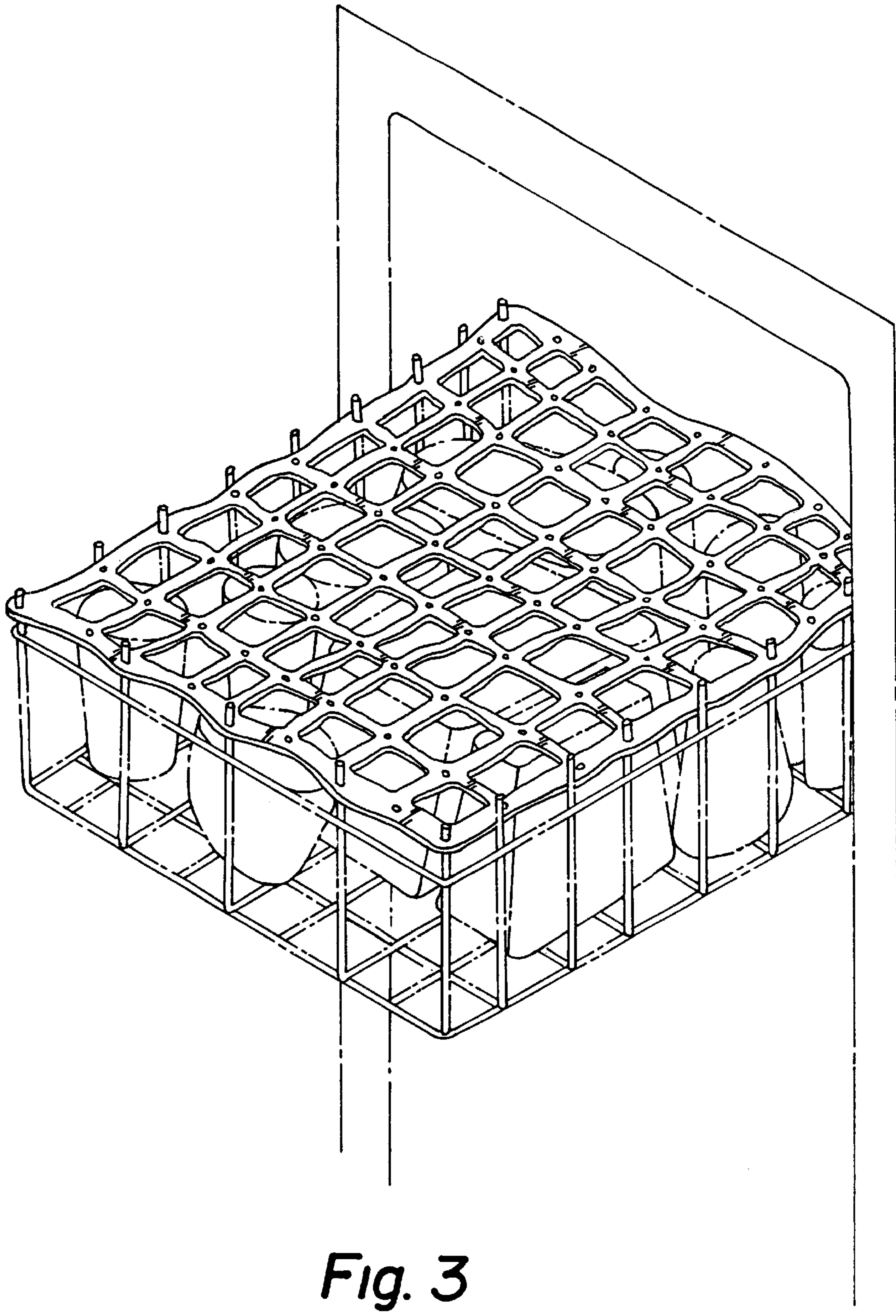




*Fig. 1*

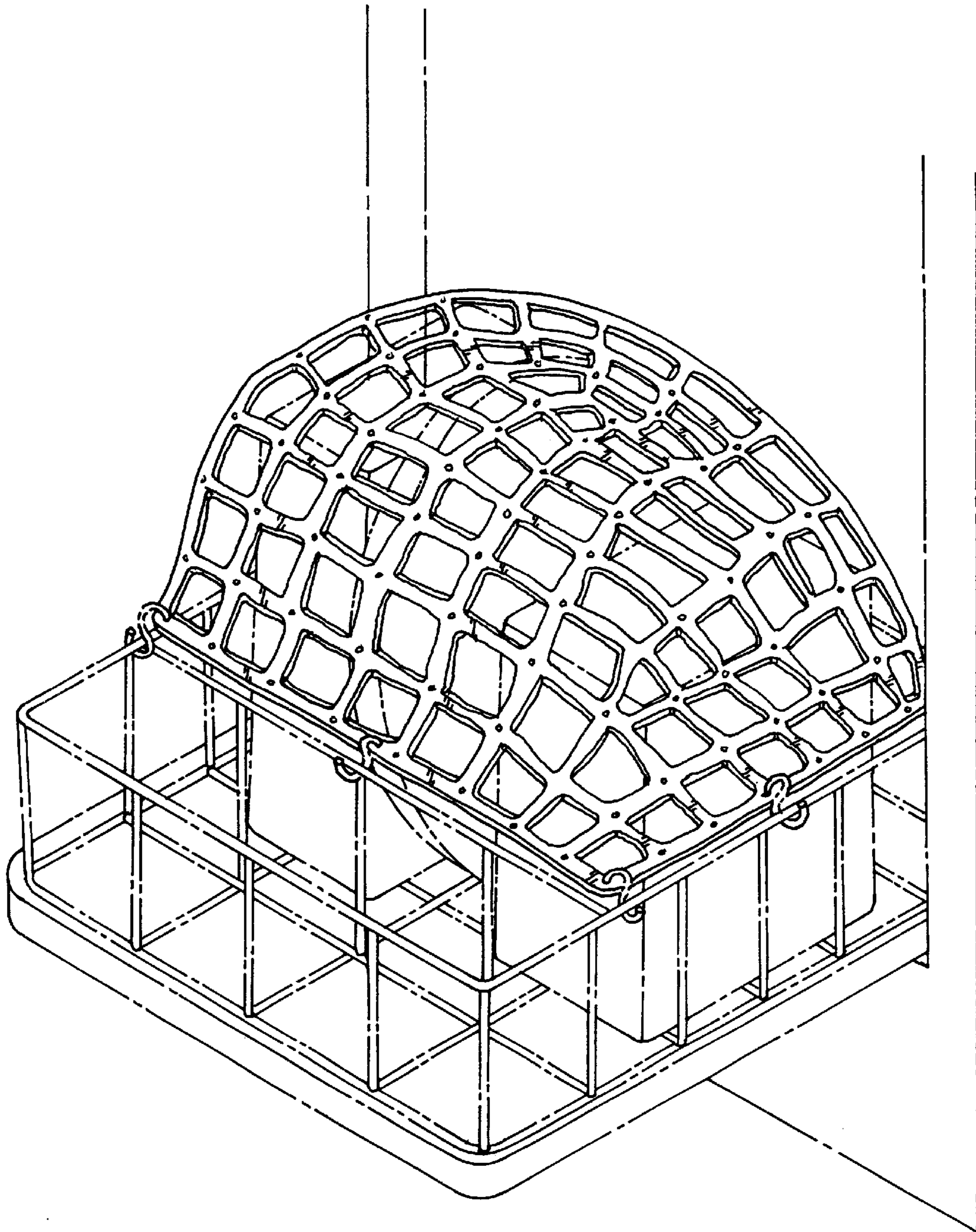


*Fig. 2*



*Fig. 3*





*Fig. 4*

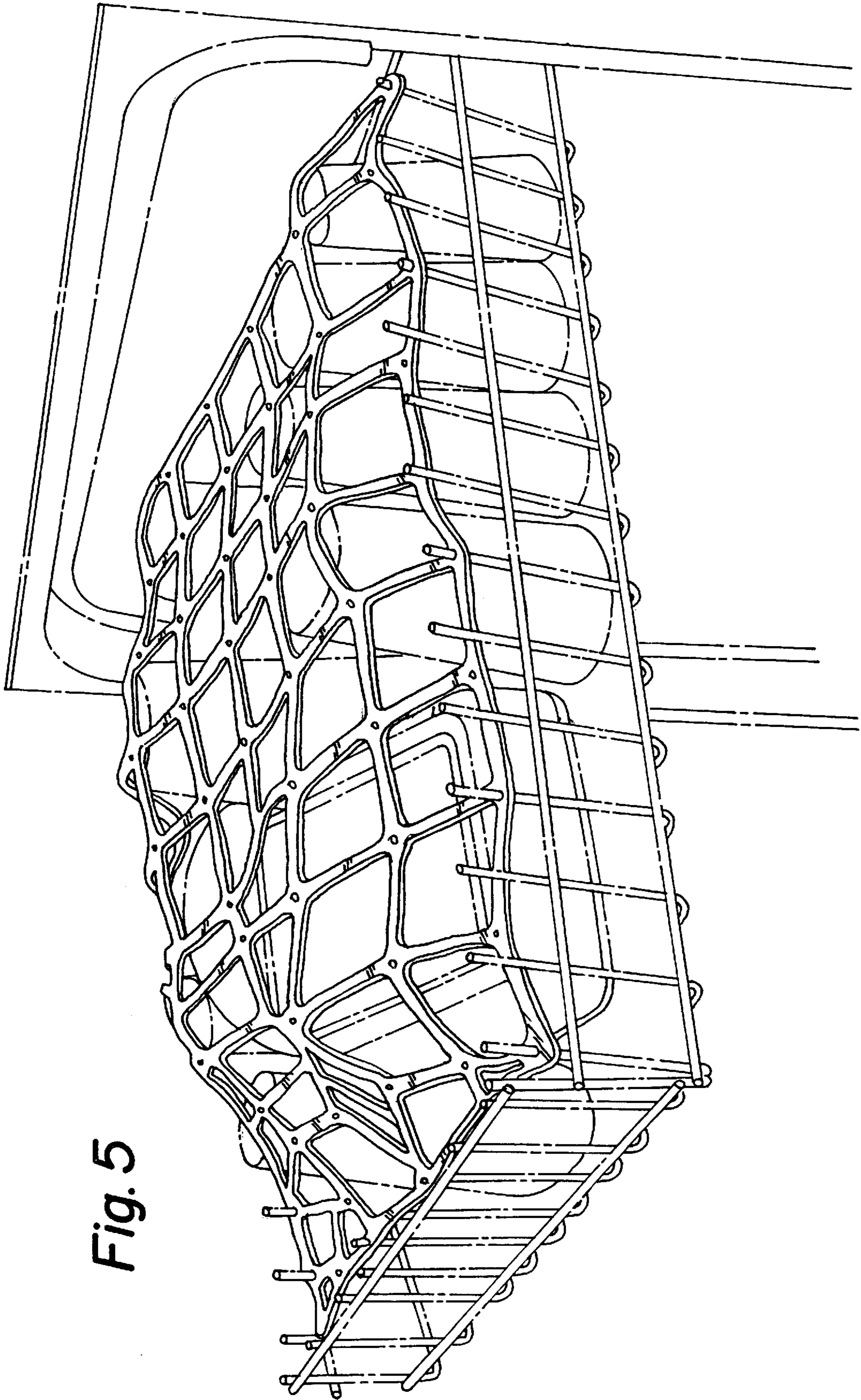


Fig. 5



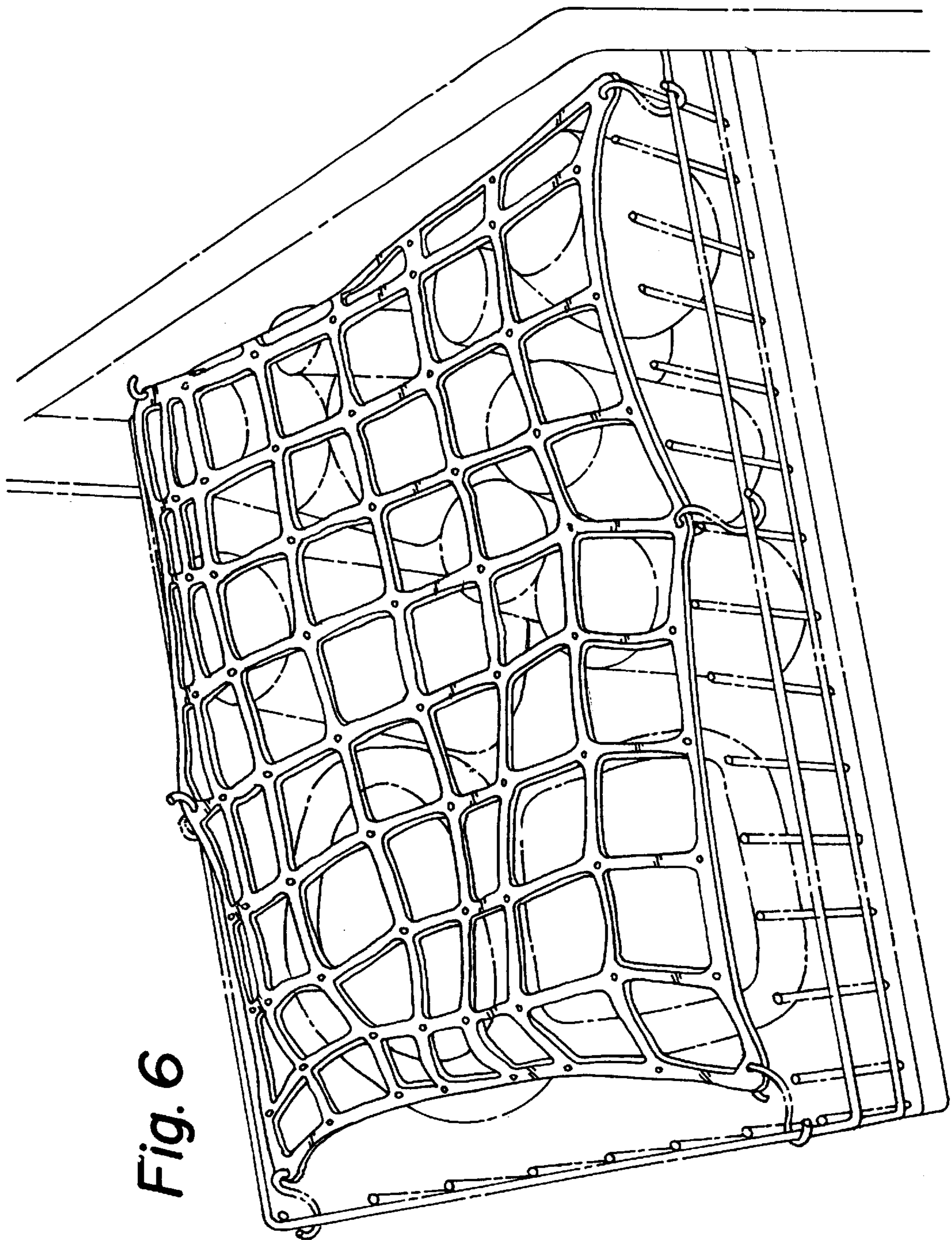


Fig. 6