



US00D471677S

(12) **United States Design Patent**
Northrop

(10) **Patent No.:** **US D471,677 S**

(45) **Date of Patent:** **** Mar. 11, 2003**

(54) **PET DISH**
(75) Inventor: **Melaney Northrop**, Cleburne, TX (US)
(73) Assignee: **Doskocil Manufacturing Company, Inc.**, Arlington, TX (US)
(**) Term: **14 Years**

D313,488 S 1/1991 Conner
D313,489 S 1/1991 Conner
D424,757 S * 5/2000 Cooper et al. D30/129
D439,707 S * 3/2001 Hansen et al. D30/129
D459,841 S * 7/2002 Ross D30/129

* cited by examiner

(21) Appl. No.: **29/165,703**
(22) Filed: **Aug. 16, 2002**

Primary Examiner—Pamela Burgess
(74) *Attorney, Agent, or Firm*—Locke Liddell & Sapp LLP

(51) **LOC (7) Cl.** **30-03**
(52) **U.S. Cl.** **D30/129**
(58) **Field of Search** D30/121, 122,
D30/129, 132; 119/61, 51.5, 63, 57.8, 74,
62; D7/553.1–553.6, 546, 502, 555, 556,
505, 504

(57) **CLAIM**

The ornamental design for a pet dish, as shown and described.

DESCRIPTION

FIG. 1 is a front perspective view of a pet dish;
FIG. 2 is a front elevational view thereof;
FIG. 3 is a rear elevational view thereof;
FIG. 4 is a top plan view thereof;
FIG. 5 is a left side elevational view thereof, the right side
elevational view being identical thereto; and,
FIG. 6 is a bottom plan view thereof.

(56) **References Cited**
U.S. PATENT DOCUMENTS
3,671,008 A * 6/1972 Villalba, Jr. 249/155
D313,486 S 1/1991 Conner
D313,487 S 1/1991 Conner

1 Claim, 2 Drawing Sheets

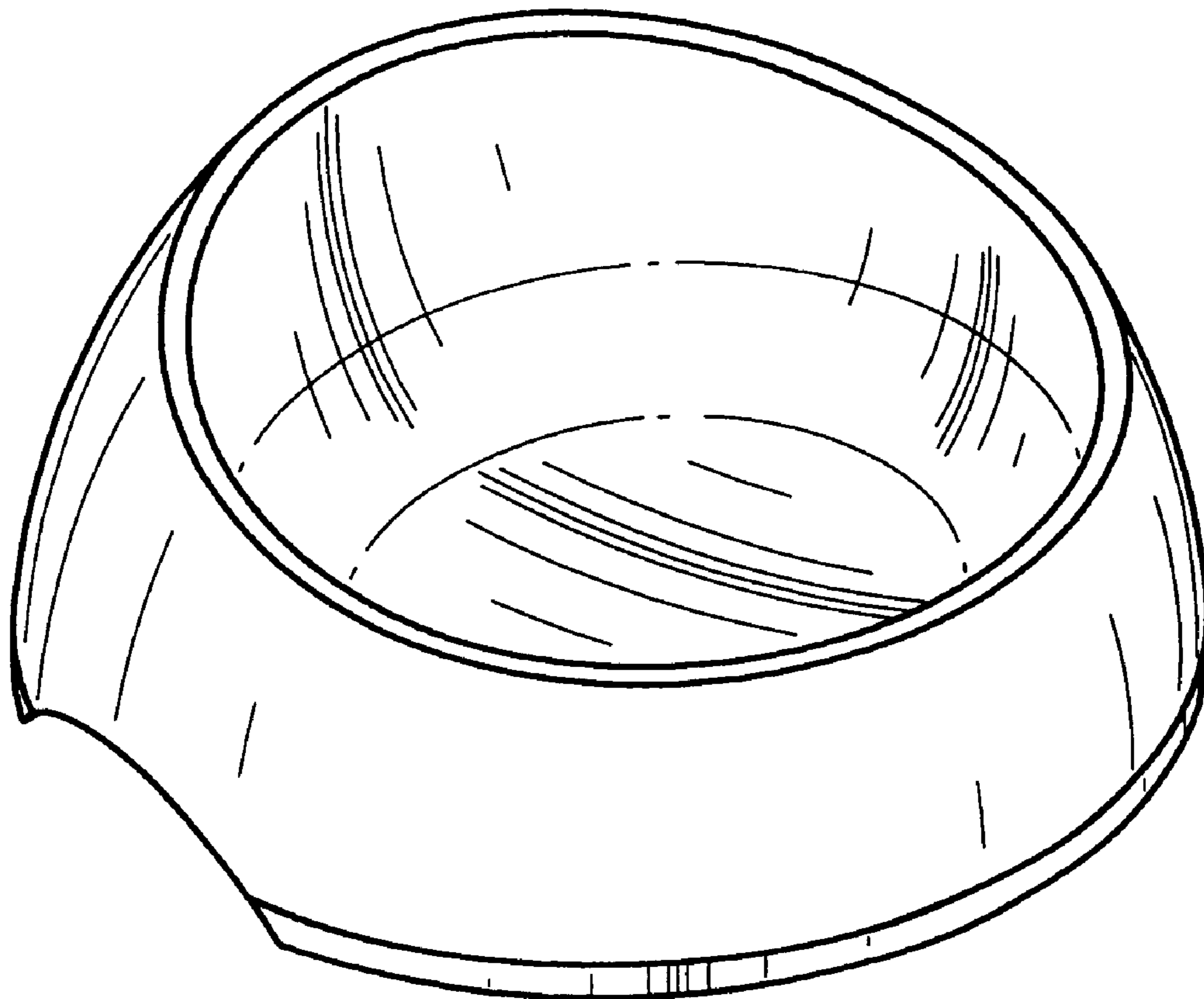


FIG. 1

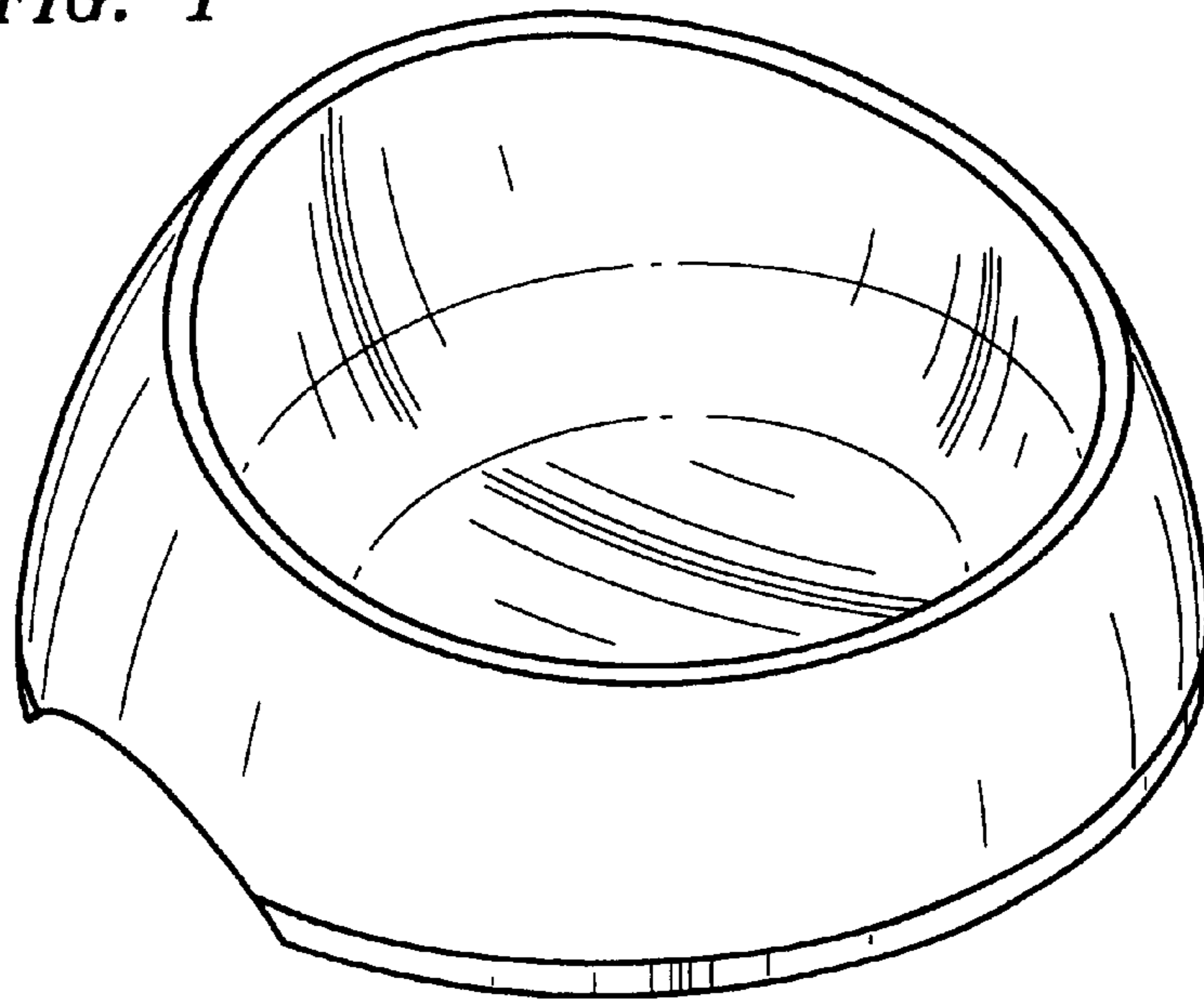


FIG. 2

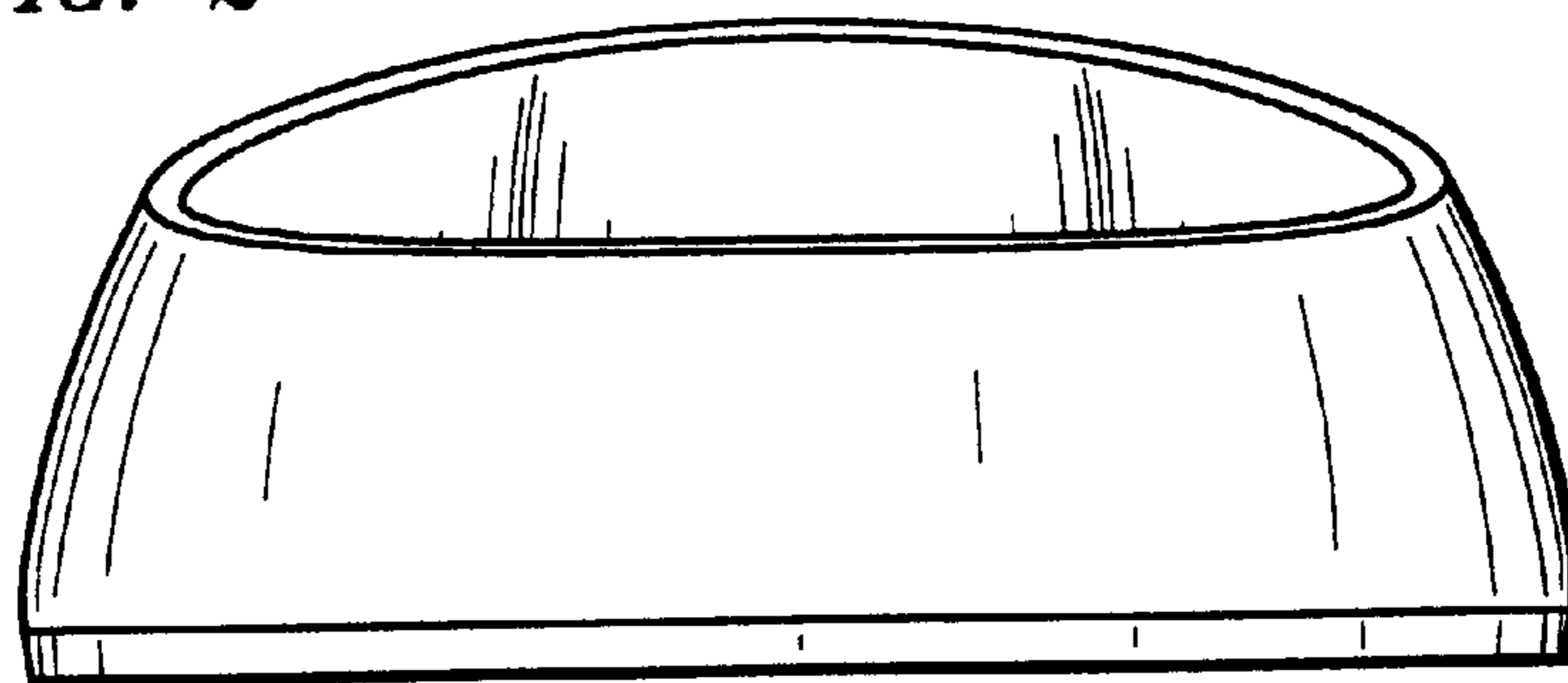


FIG. 3

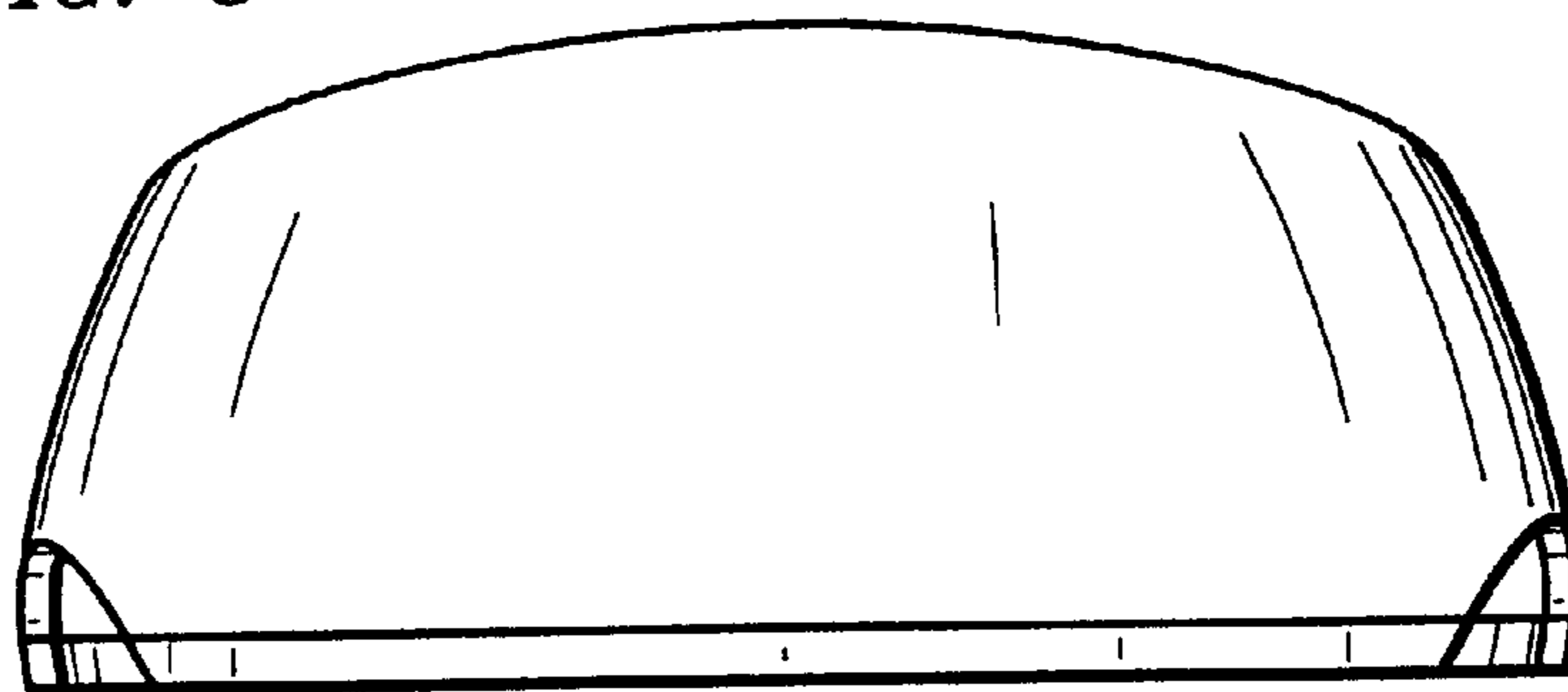


FIG. 4

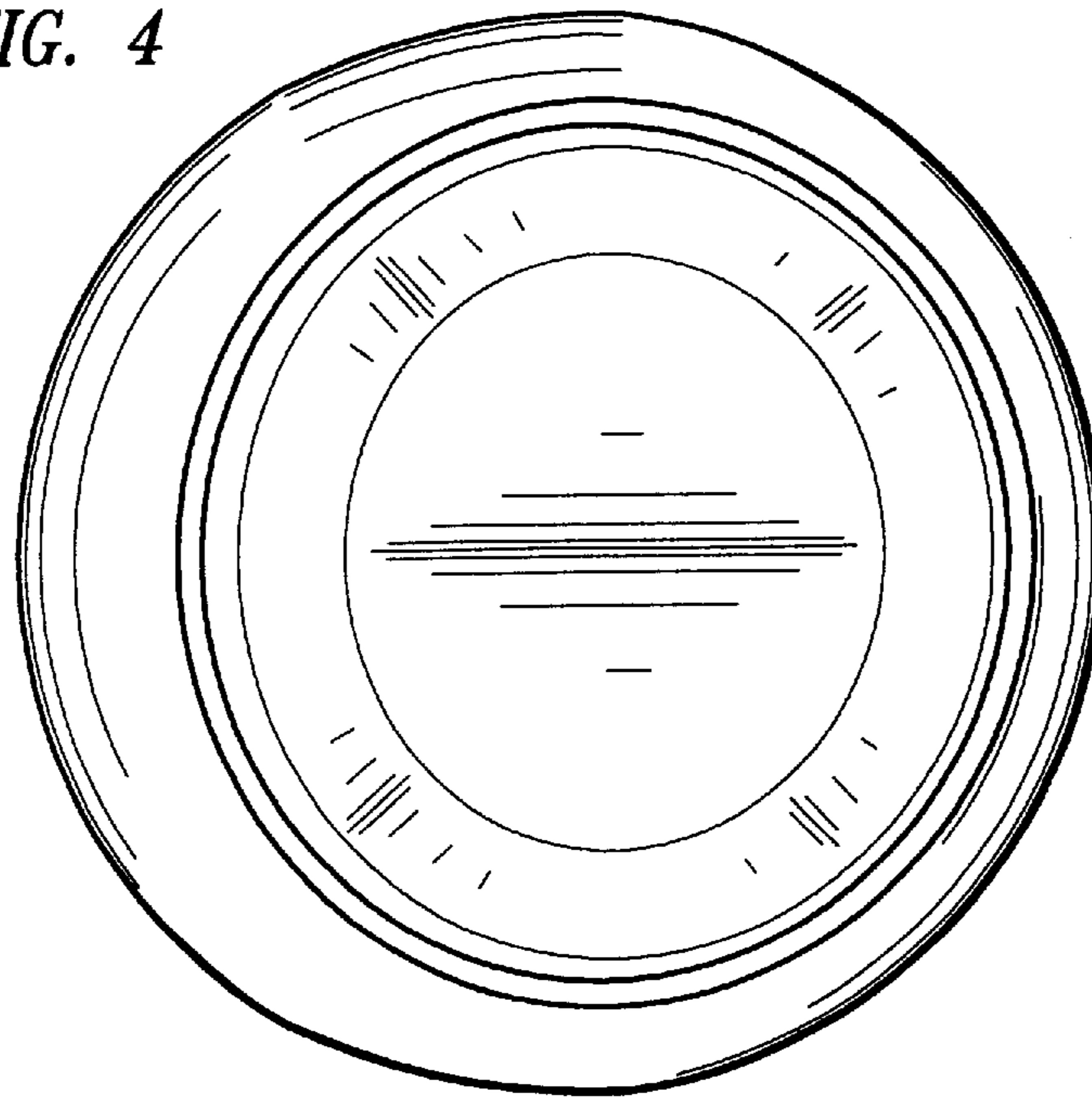


FIG. 5

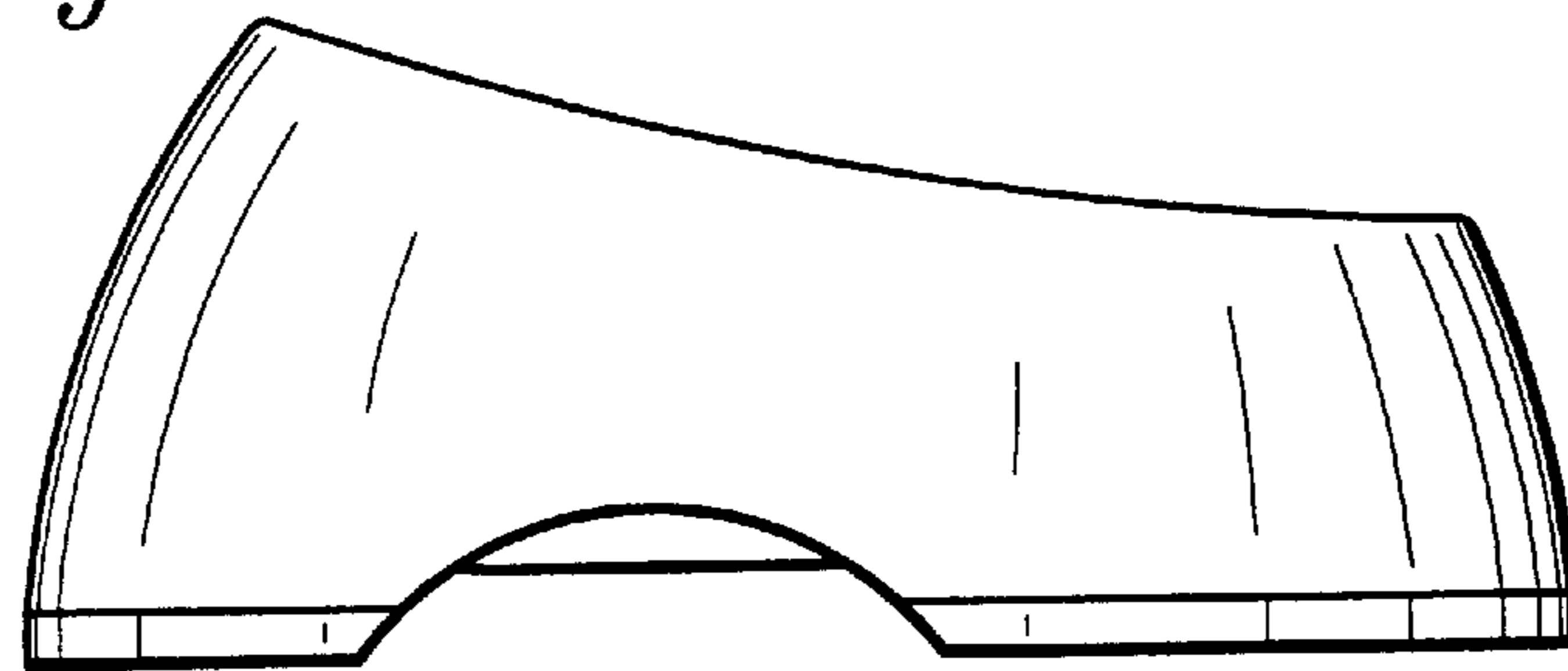


FIG. 6

