



US00D471676S

(12) **United States Design Patent**
Kinder et al.

(10) **Patent No.:** **US D471,676 S**

(45) **Date of Patent:** **** Mar. 11, 2003**

(54) **PET KENNEL**

(75) Inventors: **Steven F. Kinder**, Dallas, TX (US);
Staci A. Mininger, Dallas, TX (US);
Timothy W. Terleski, Garland, TX (US)

(73) Assignee: **Doskocil Manufacturing Company, Inc.**, Arlington, TX (US)

(**) Term: **14 Years**

(21) Appl. No.: **29/159,308**

(22) Filed: **Apr. 19, 2002**

(51) **LOC (7) Cl.** **30-02**

(52) **U.S. Cl.** **D30/108**

(58) **Field of Search** D30/108, 110-112,
D30/114, 117, 161; 119/52.3, 57.8, 57.9

(56) **References Cited**

U.S. PATENT DOCUMENTS

D300,965 S	5/1989	Conner	
D300,966 S	5/1989	Conner	
D300,967 S	5/1989	Conner	
D300,968 S	5/1989	Conner	
4,852,520 A *	8/1989	Goetz	119/497
D308,429 S	6/1990	VanSkiver	
D312,333 S	11/1990	VanSkiver	
D314,251 S	1/1991	VanSkiver	
5,154,137 A *	10/1992	Stanaland	119/496
D361,175 S	8/1995	VanSkiver	
5,462,015 A	10/1995	Murphy	

D364,712 S	11/1995	Murphy et al.	
D367,732 S	3/1996	Murphy et al.	
D367,733 S	3/1996	Paxman	
D374,510 S	10/1996	Barreto et al.	
6,182,611 B1 *	2/2001	Marchioro	119/453
6,427,631 B1 *	8/2002	Ross	119/496

* cited by examiner

Primary Examiner—Cathy Anne MacCormac

(74) *Attorney, Agent, or Firm*—Locke Liddell & Sapp LLP

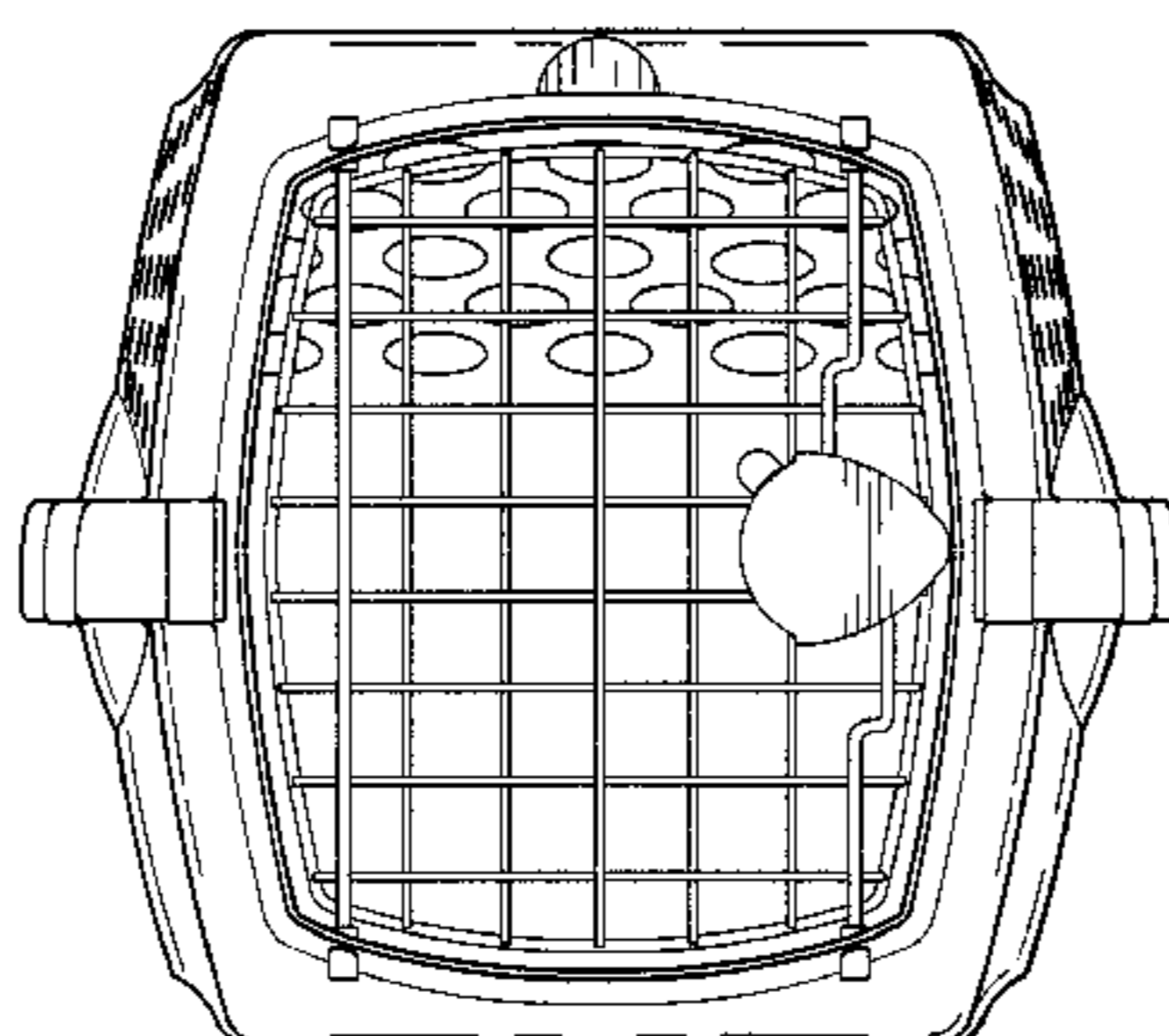
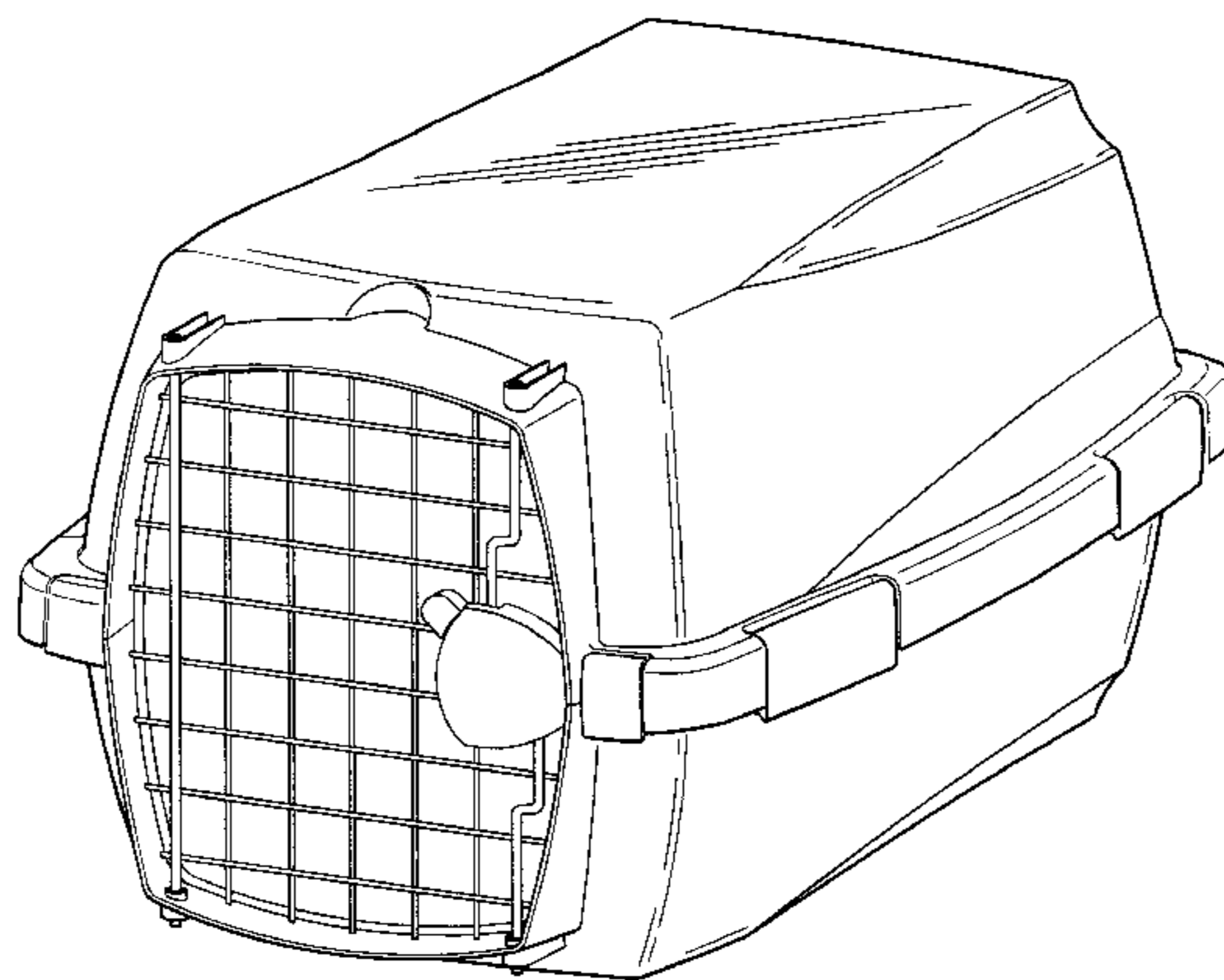
(57) **CLAIM**

The ornamental design for a pet kennel, as shown and described.

DESCRIPTION

FIG. 1 is a perspective view of a pet kennel showing our new design;
 FIG. 2 is a front elevational view thereof;
 FIG. 3 is a rear elevational view thereof;
 FIG. 4 is a right side elevational view thereof, the left side elevational view being a mirror image thereof;
 FIG. 5 is a top plan view thereof;
 FIG. 6 is a bottom plan view thereof;
 FIG. 7 is a front elevational view of a second embodiment of FIG. 1;
 FIG. 8 is a rear elevational view of FIG. 7;
 FIG. 9 is a right side elevational view of FIG. 7, the left side being a mirror image; and,
 FIG. 10 is a top plan view of FIG. 7, the bottom being identical to FIG. 6.

1 Claim, 5 Drawing Sheets



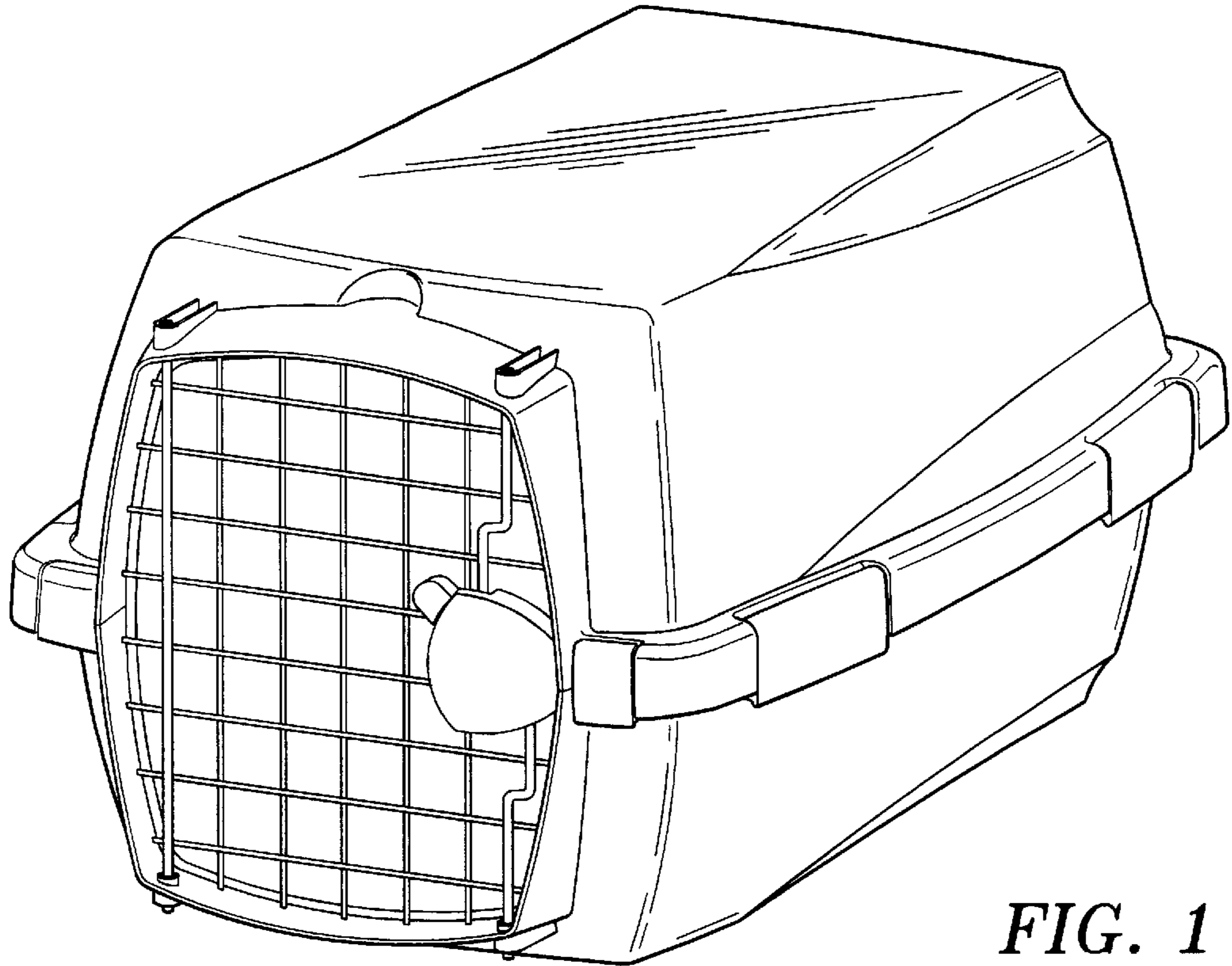


FIG. 1

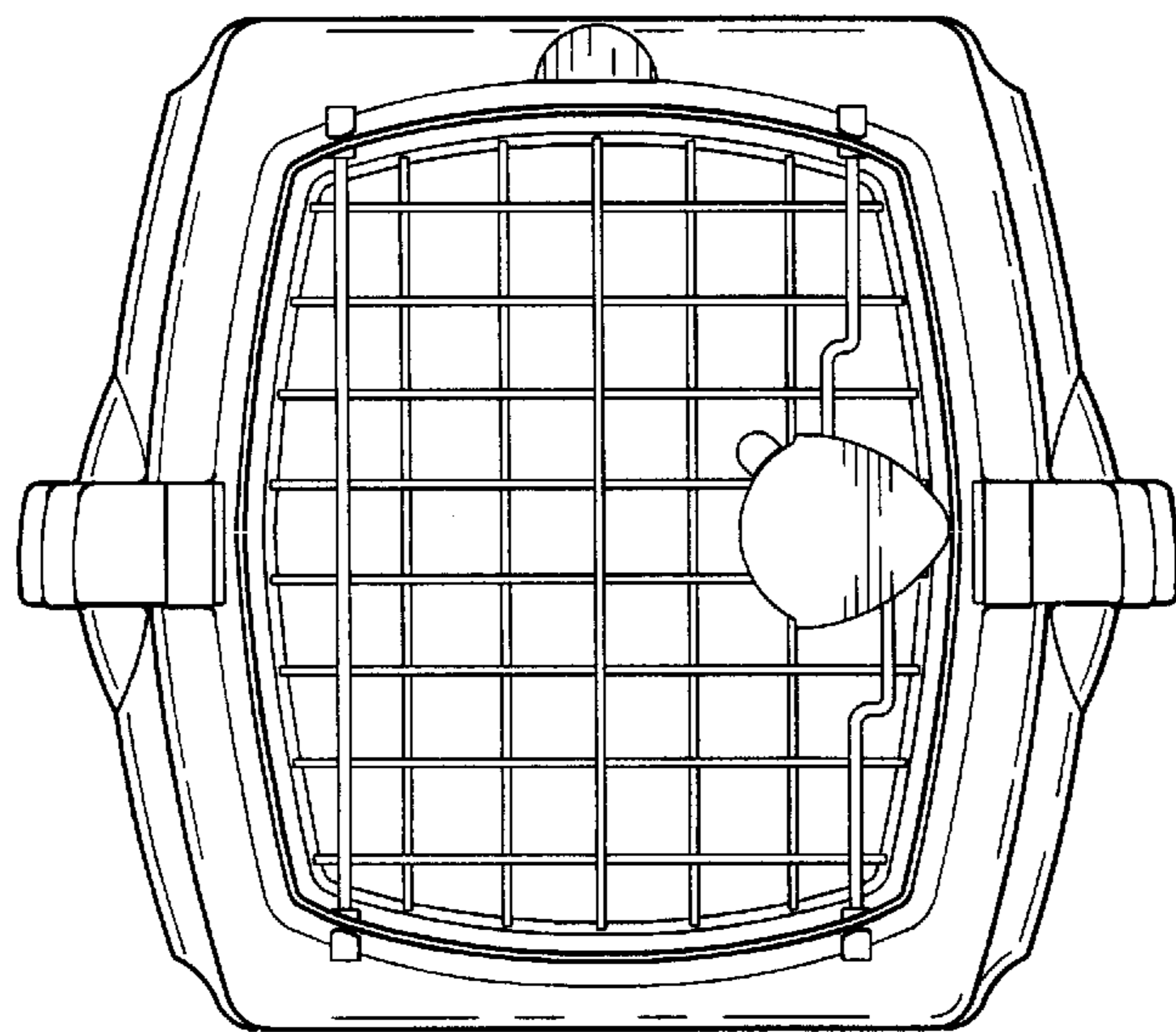


FIG. 2

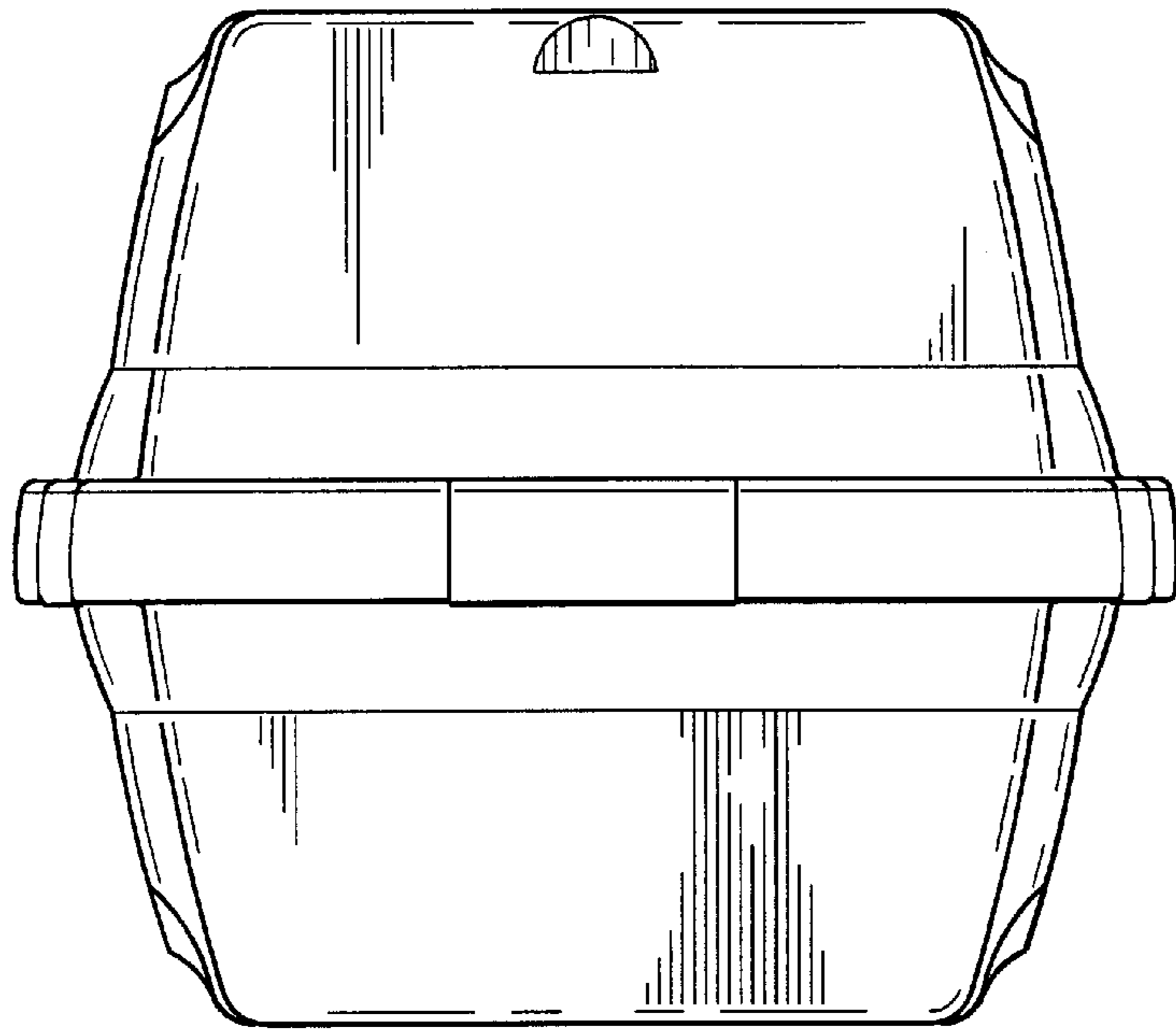


FIG. 3

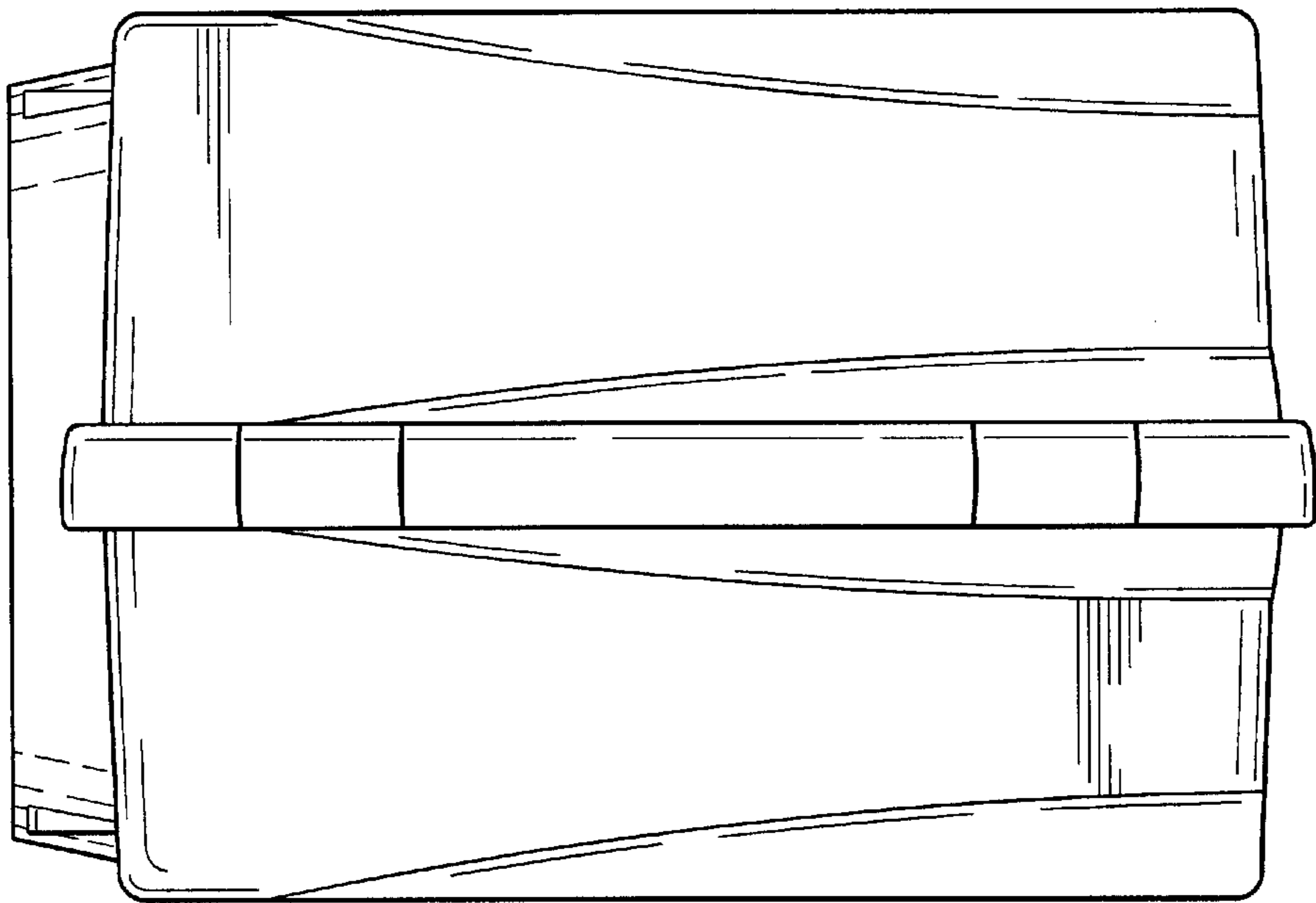


FIG. 4

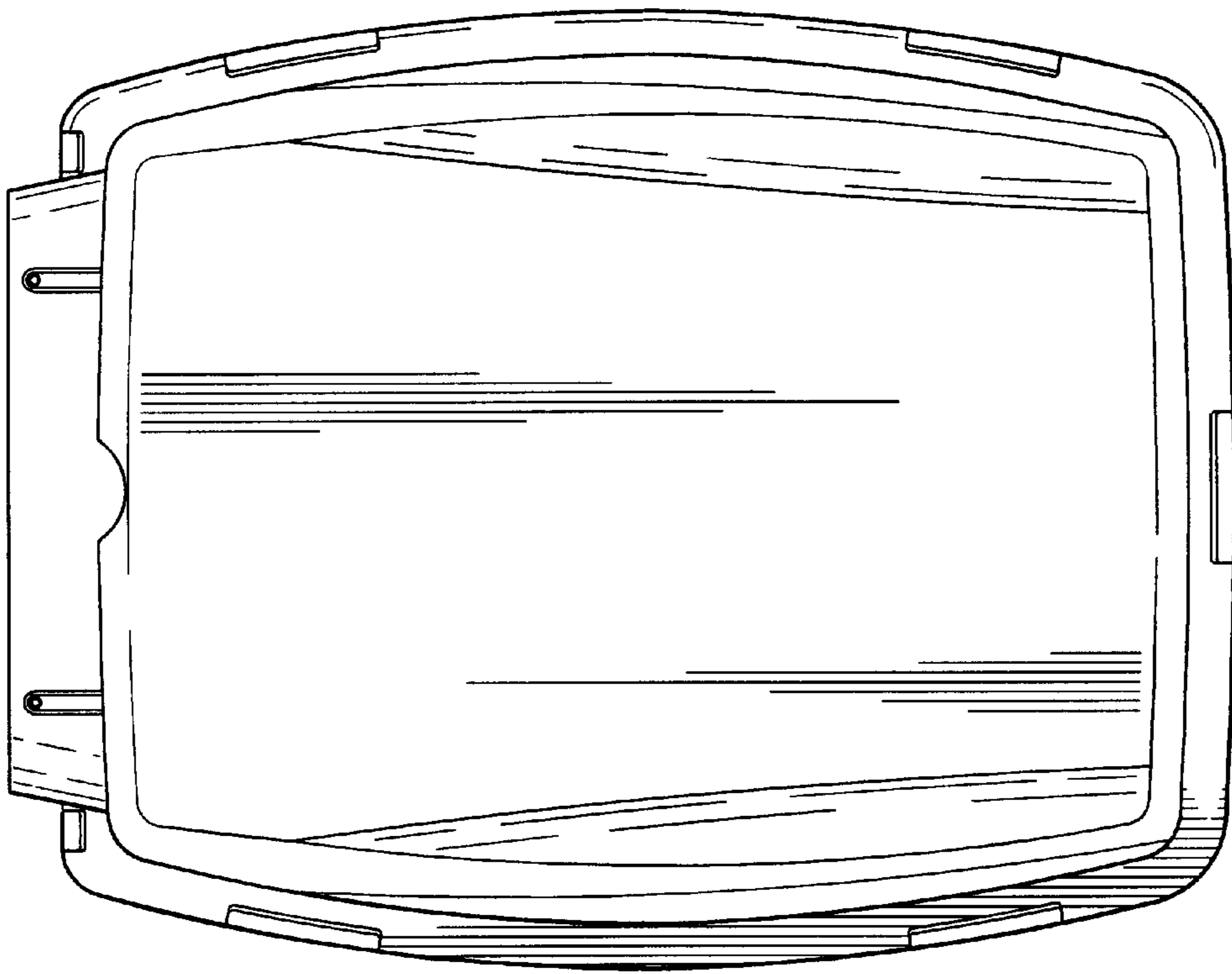


FIG. 5

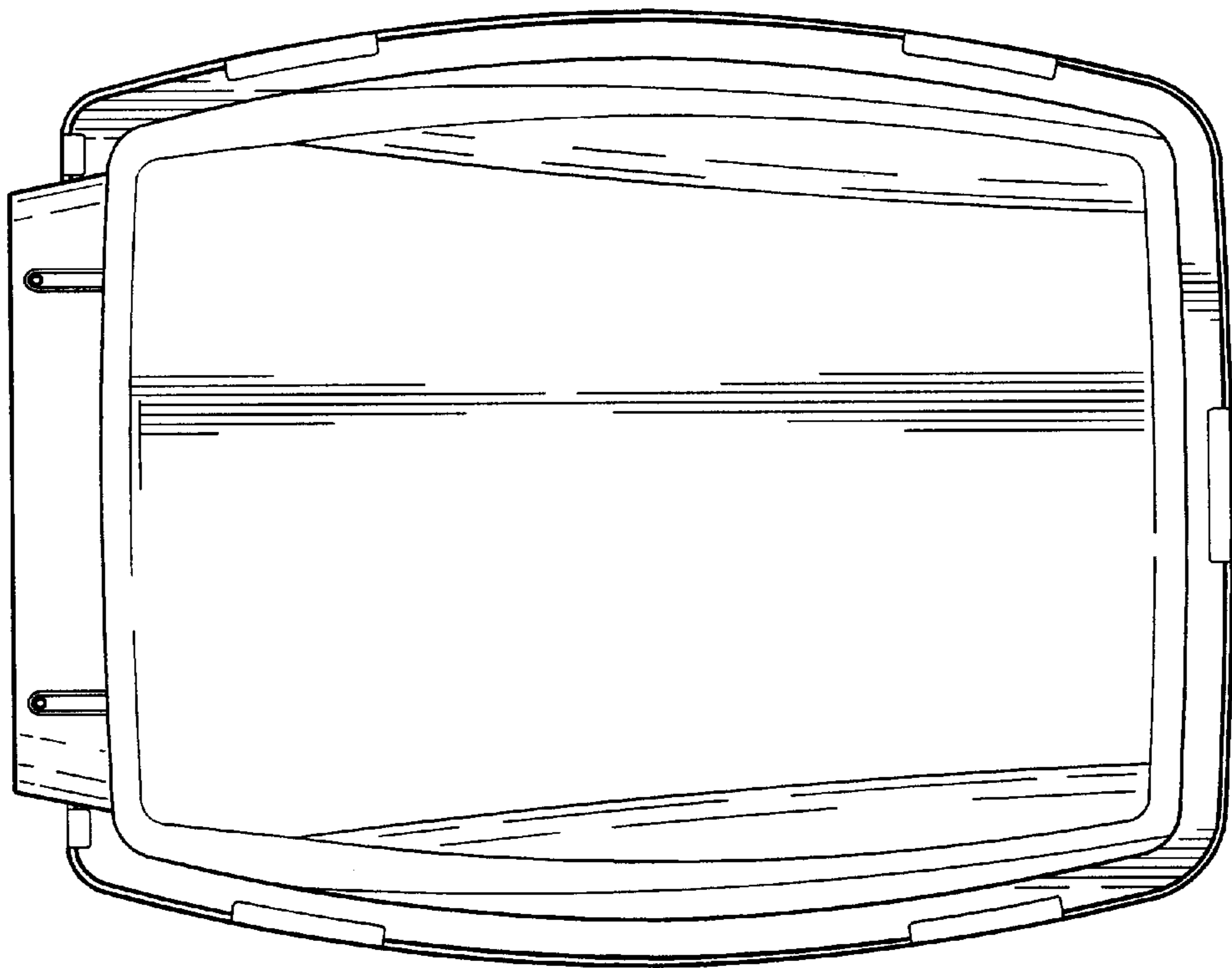


FIG. 6

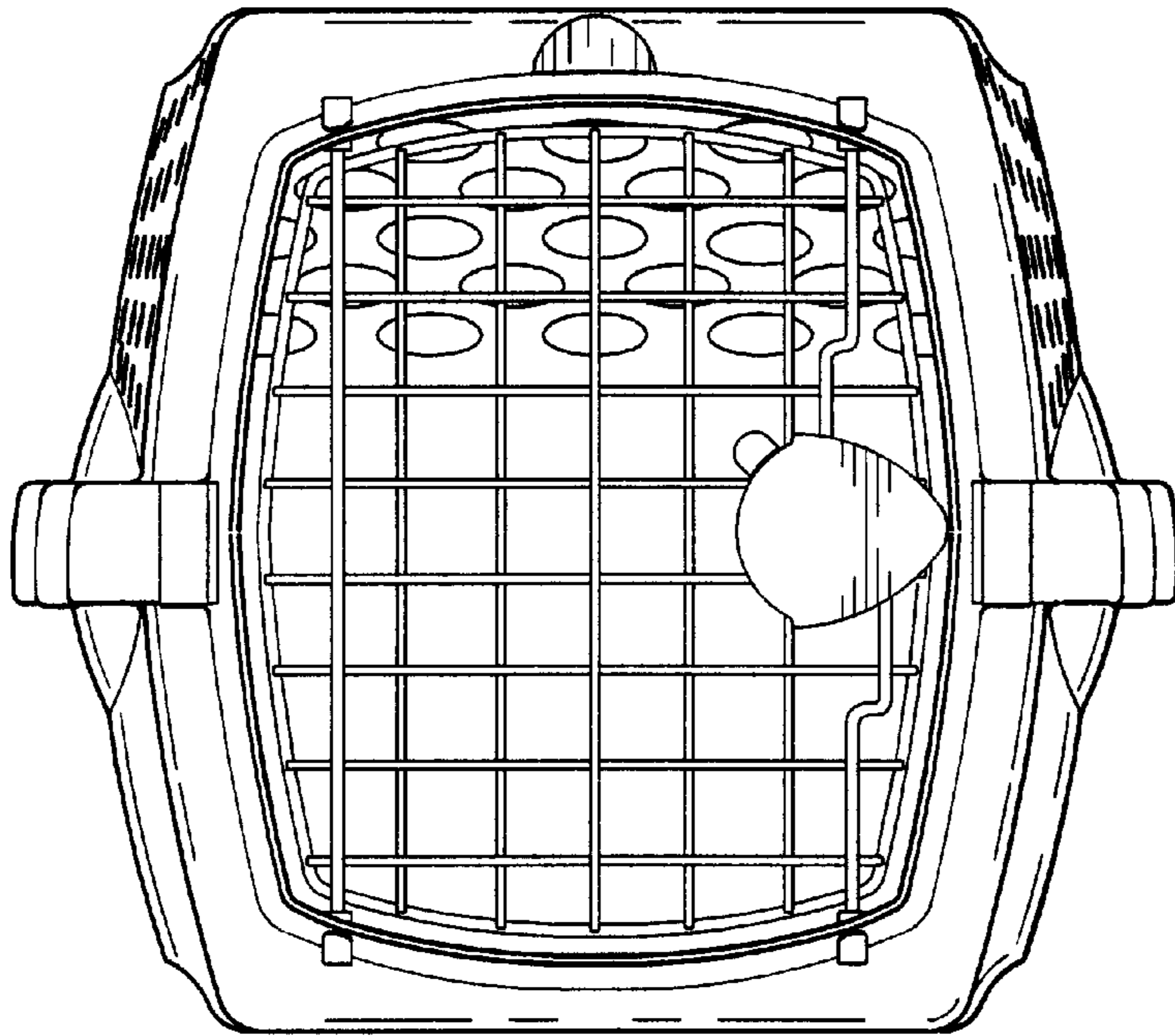


FIG. 7

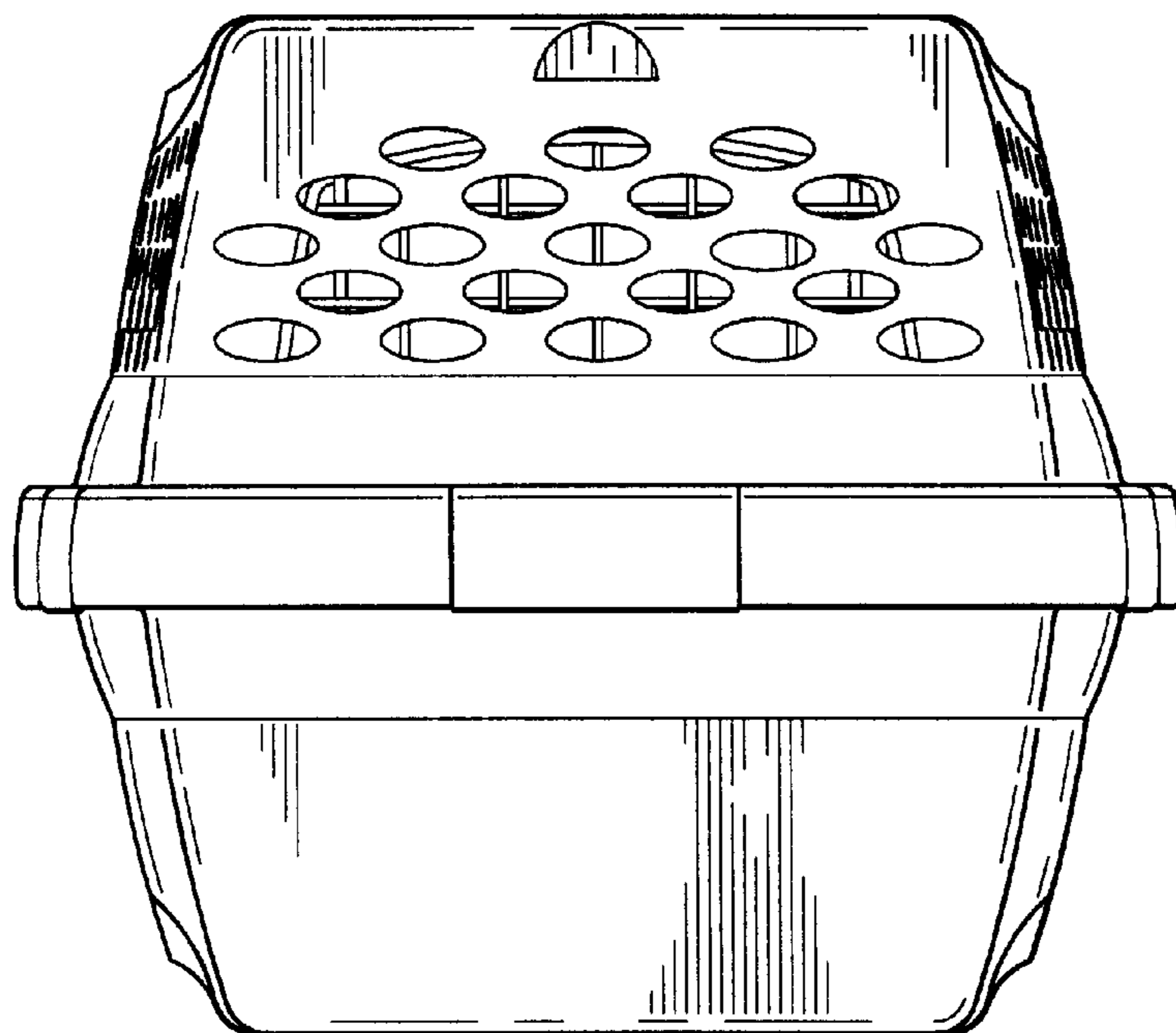


FIG. 8

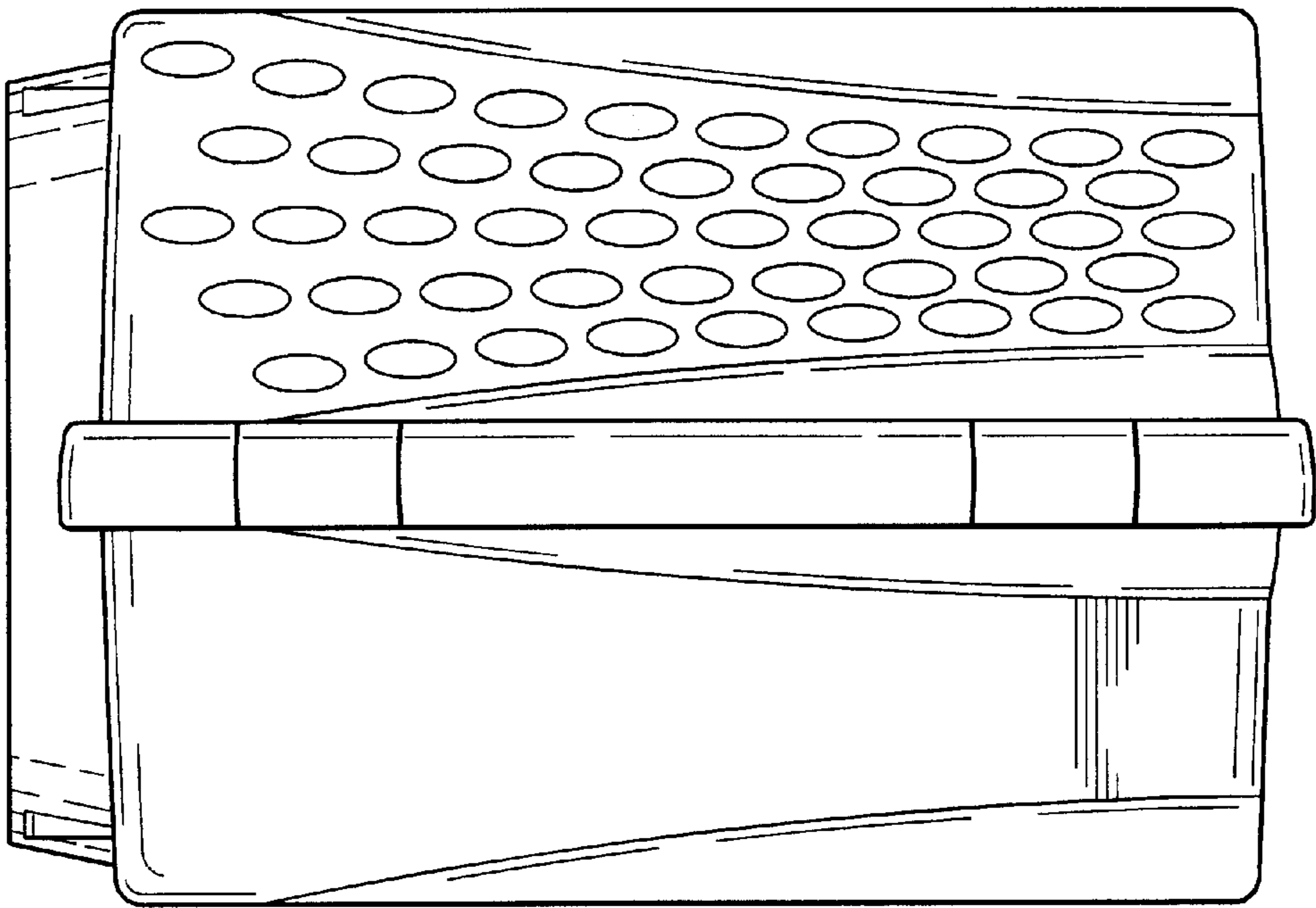


FIG. 9

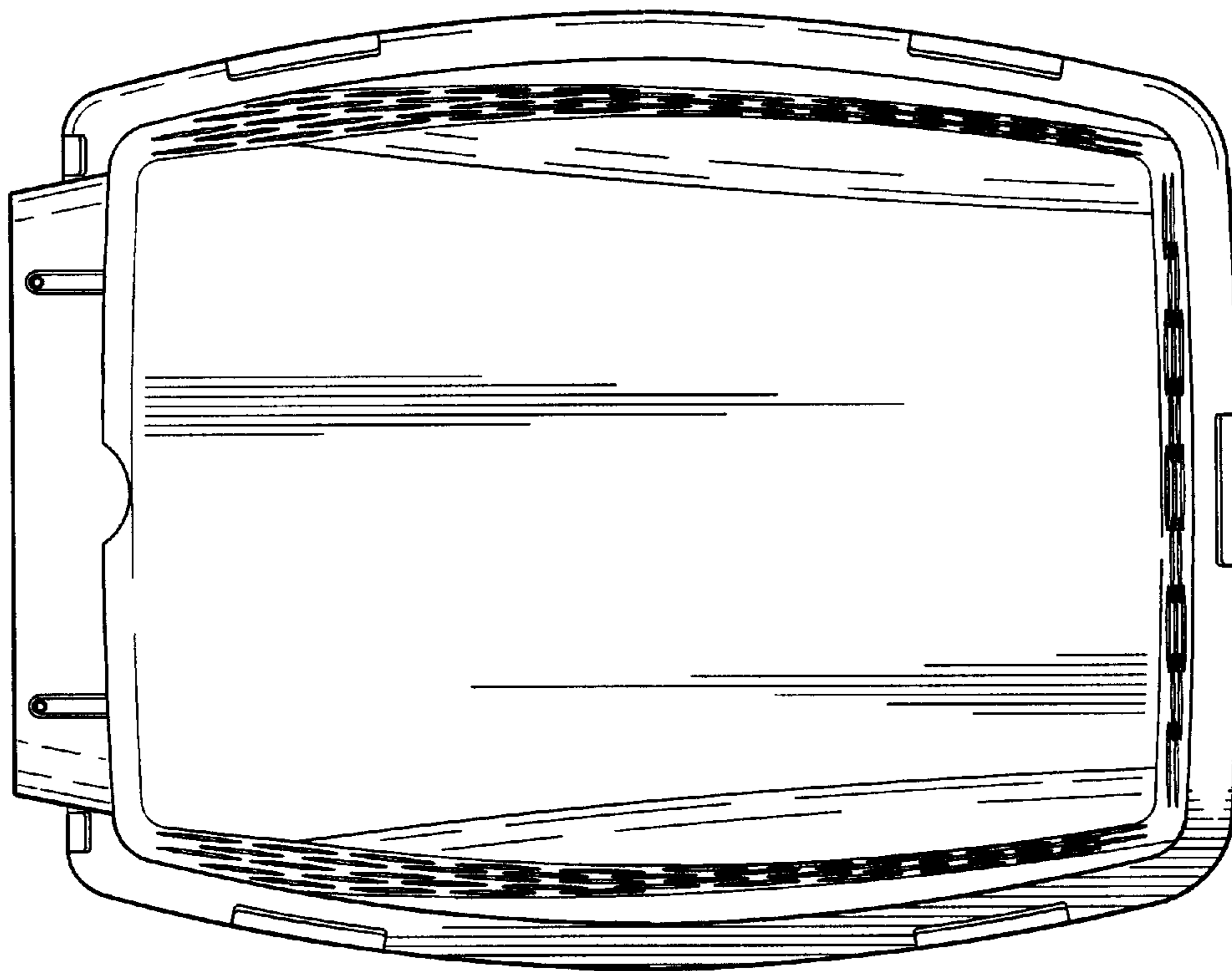


FIG. 10