



US00D471667S

(12) **United States Design Patent**
Angeletta

(10) **Patent No.:** **US D471,667 S**

(45) **Date of Patent:** **** Mar. 11, 2003**

(54) **REPLACEABLE APPLICATOR PORTION
FOR A LIQUID AND LOTION APPLICATOR**

(75) **Inventor:** **Joseph G. Angeletta**, 418 Fifth St.,
Mamaroneck, NY (US) 10543

(73) **Assignee:** **Joseph G. Angeletta**, Mamaroneck, NY
(US)

(**) **Term:** **14 Years**

(21) **Appl. No.:** **29/133,817**

(22) **Filed:** **Dec. 7, 2000**

(51) **LOC (7) Cl.** **28-02**

(52) **U.S. Cl.** **D28/7; D9/447**

(58) **Field of Search** D28/7; D9/338,
D9/436, 447, 440; 401/202-207, 6, 44,
137, 138, 139, 196, 197, 261, 263, 262,
264-266, 268, 270-275; D4/137, 127; 132/320,
317; 15/244.1-244.4; D24/119

(56) **References Cited**

U.S. PATENT DOCUMENTS

D188,159 S * 6/1960 Payron D28/7

4,961,661 A * 10/1990 Sutton et al. 401/207
5,240,339 A * 8/1993 DeForest et al. 401/207
D364,481 S * 11/1995 Lambert D28/7
D375,382 S * 11/1996 Beeler et al. D28/7
6,116,798 A * 9/2000 Chen et al. 401/207
D439,011 S * 3/2001 Linnette D28/7

* cited by examiner

Primary Examiner—Lucy Lieberman

(74) *Attorney, Agent, or Firm*—Scully, Scott, Murphy &
Presser

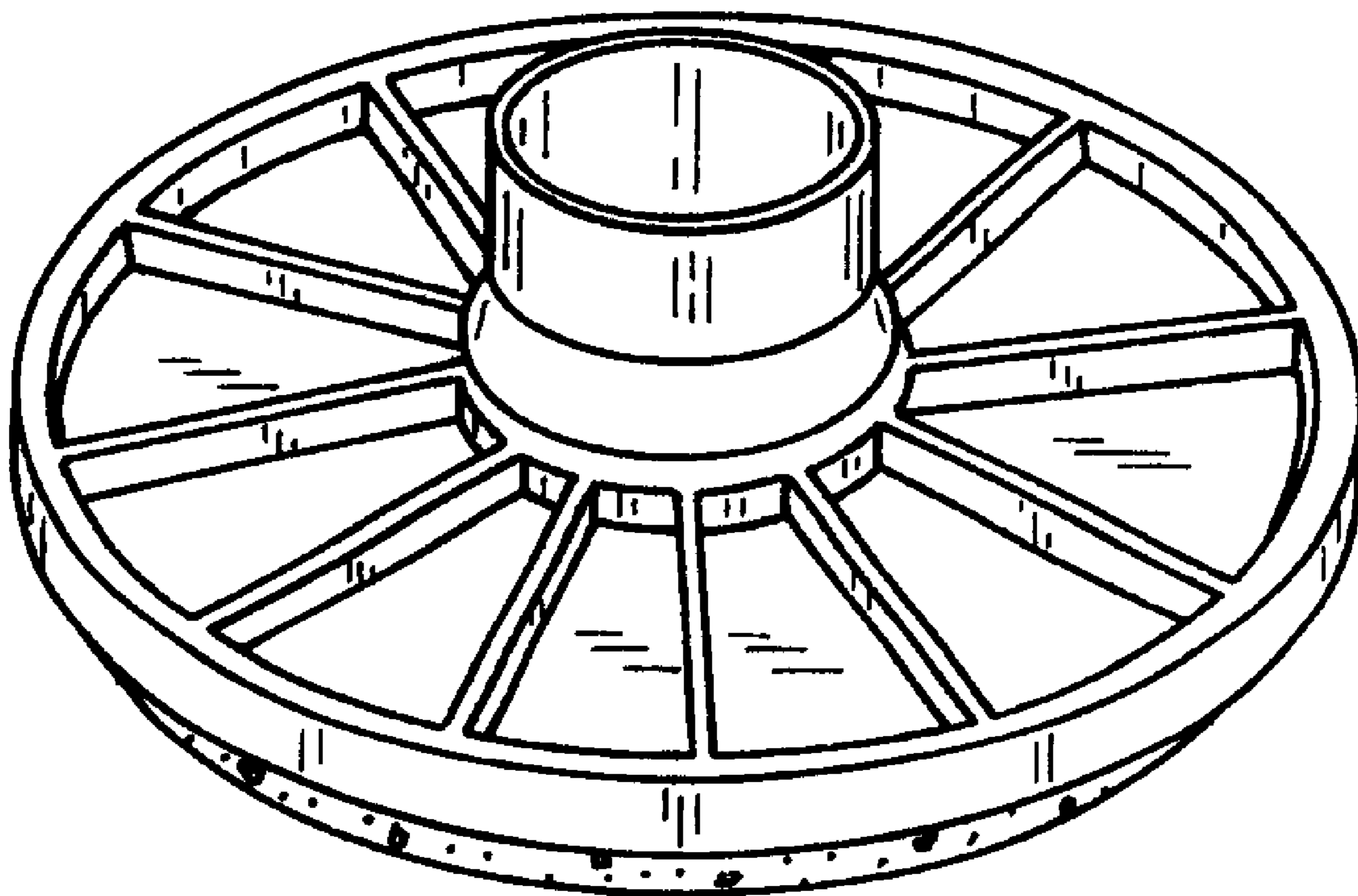
(57) **CLAIM**

The ornamental design for a replaceable applicator portion
for a liquid and lotion applicator, as shown and described.

DESCRIPTION

FIG. 1 illustrates a perspective side view of a replaceable
applicator portion for a liquid and lotion showing my new
and ornamental design;
FIG. 2 illustrates a bottom plan view thereof;
FIG. 3 illustrates a side view thereof; and,
FIG. 4 illustrates a top plan view thereof.

1 Claim, 1 Drawing Sheet



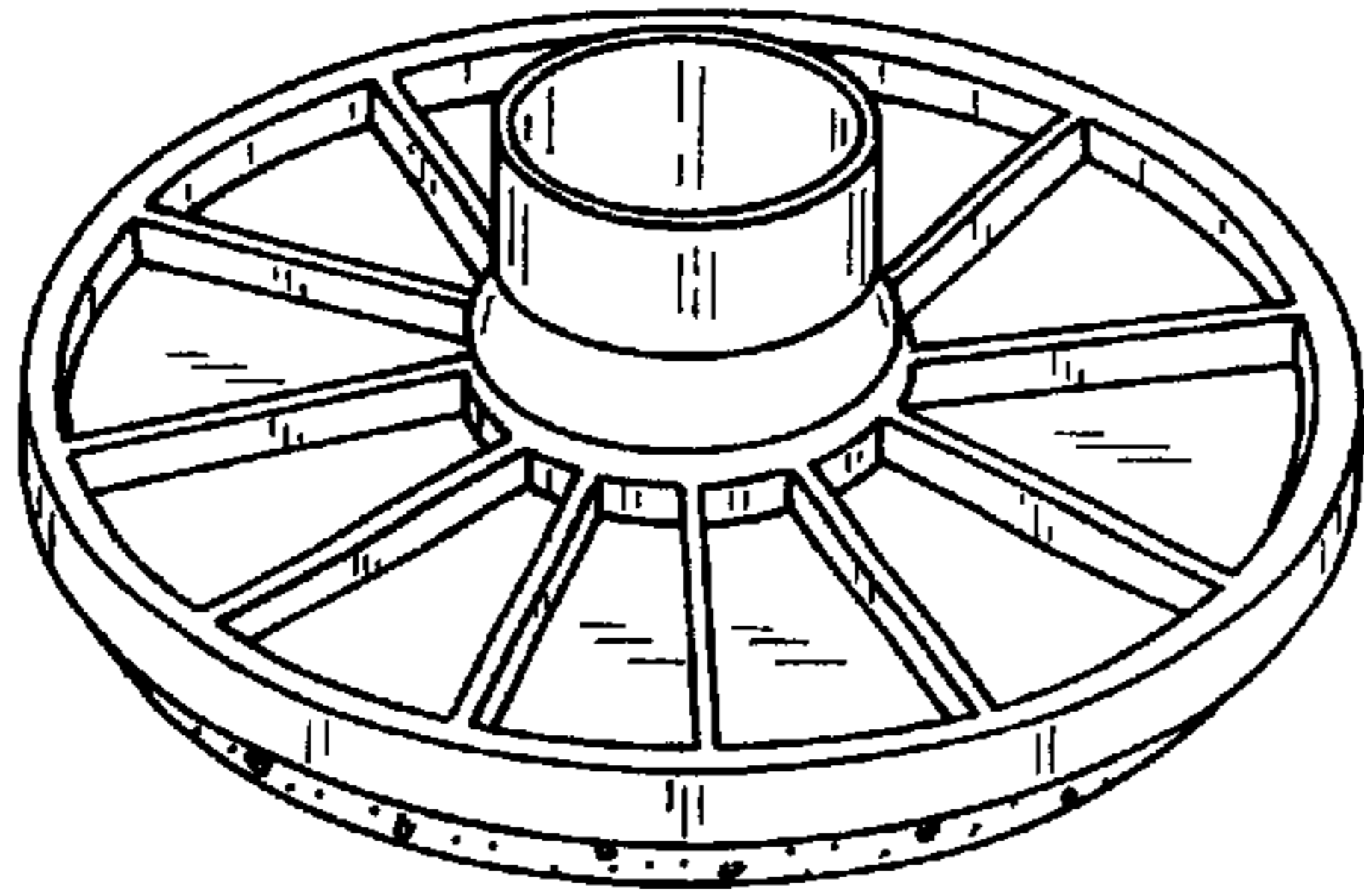


FIG. 1

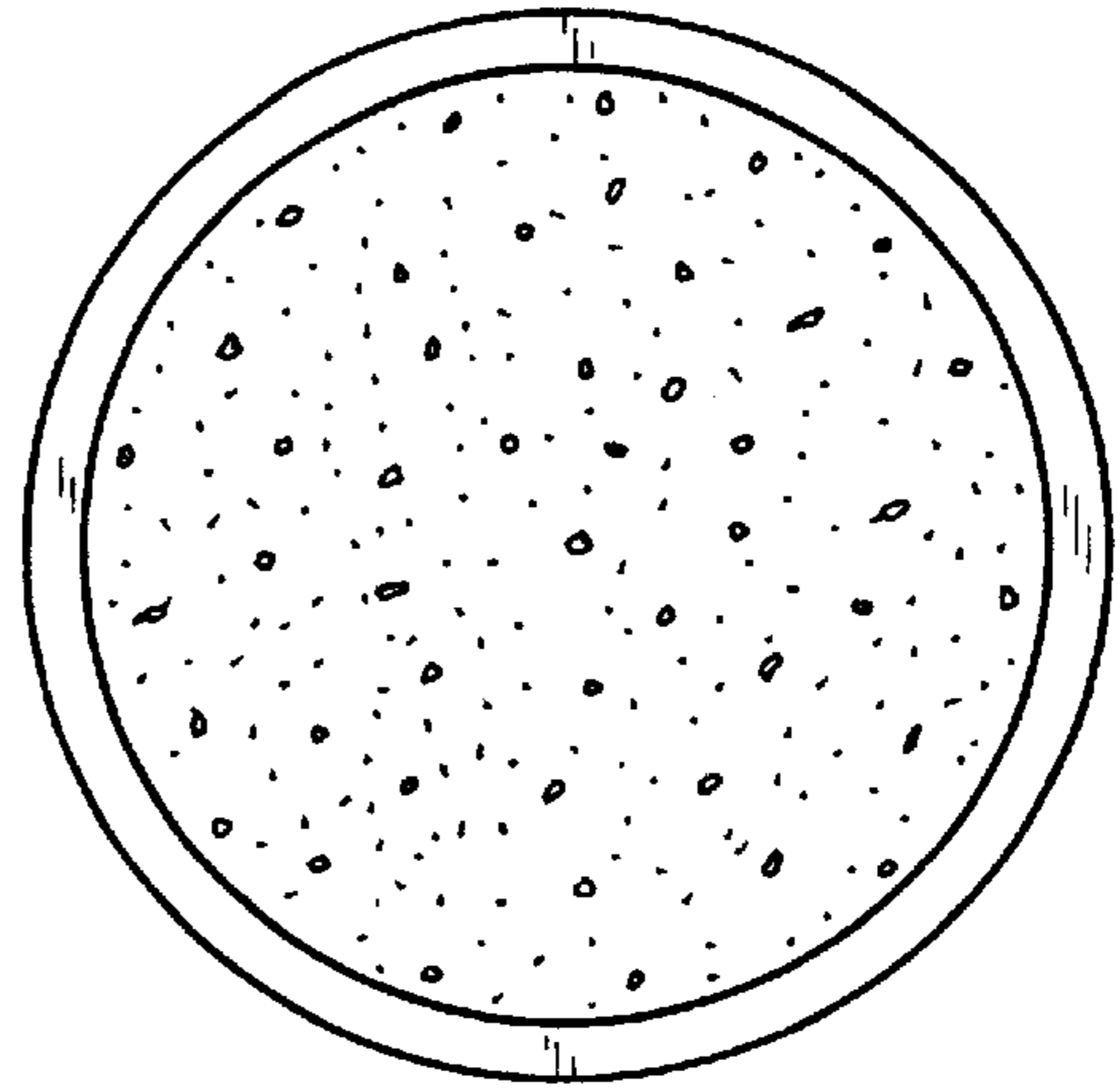


FIG. 2

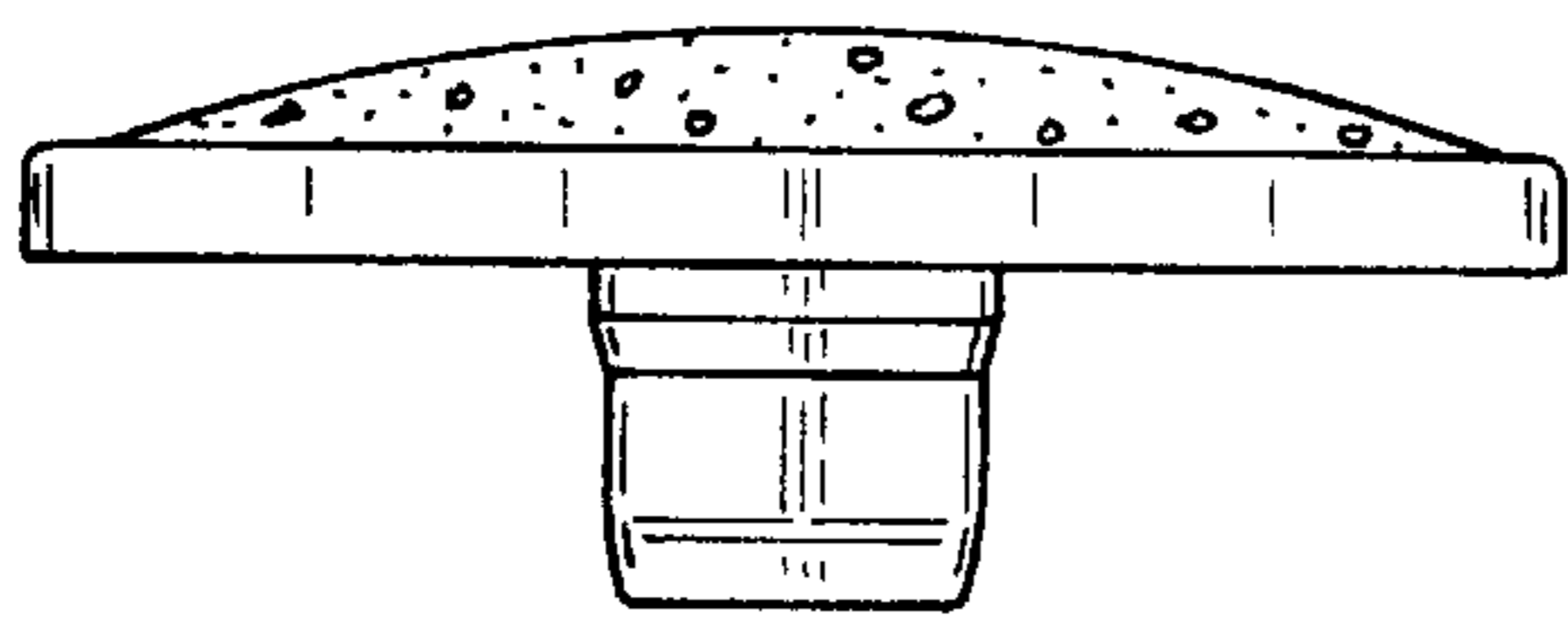


FIG. 3

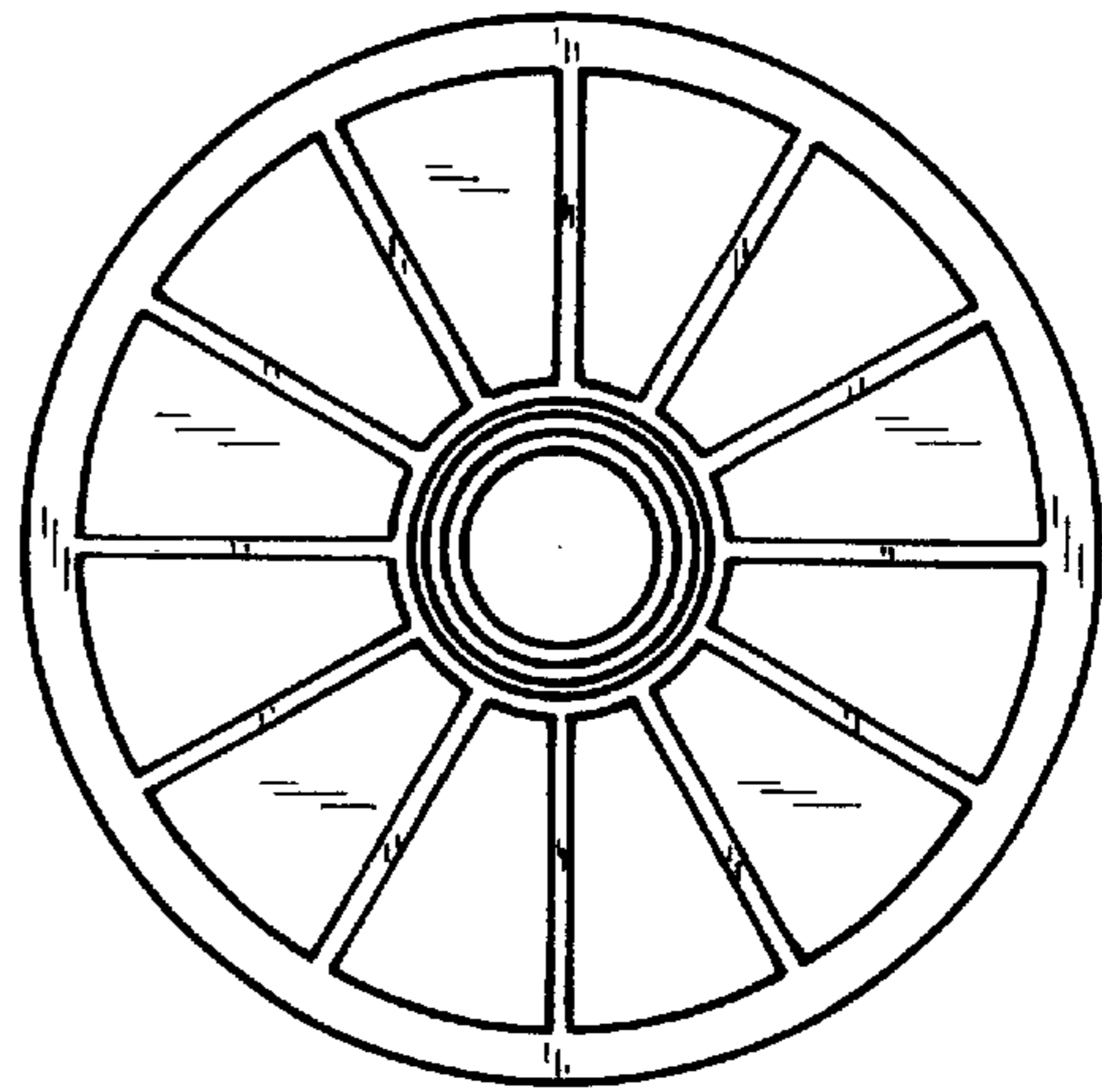


FIG. 4