



US00D471666S

(12) **United States Design Patent**
Jackel-Marken

(10) **Patent No.:** **US D471,666 S**

(45) **Date of Patent:** **** Mar. 11, 2003**

(54) **COSMETIC PRODUCT**

(75) **Inventor:** **Ingrid Jackel-Marken, LA County, CA (US)**

(73) **Assignee:** **Physicians Formula Cosmetics, Inc., Azusa, CA (US)**

(**) **Term:** **14 Years**

(21) **Appl. No.:** **29/158,083**

(22) **Filed:** **Mar. 29, 2002**

(51) **LOC (7) Cl. 28-02**

(52) **U.S. Cl. D28/4**

(58) **Field of Search** D28/4, 8.1, 76, D28/77; D9/307, 337, 516, 520, 554, 567; D1/101, 102, 116, 118; D26/6, 7; D11/131; 424/63, 64, 78.03, 401; 428/13; 206/581, 823, 457, 524.1, 524.6; 141/9, 11, 12, 100; 264/73, 77, 173.16, 173.18, 177.11, 211.11, 214, DIG. 57; 425/131.1, 134, 120, 130, 803; 426/100, 101, 106, 383, 512, 392, 398, 515, 112, 249; 510/139, 140, 142, 146, 440

D402,110 S * 12/1998 Au D9/307 X
D429,146 S * 8/2000 Thibiant et al. D9/302
6,296,885 B1 * 10/2001 Robertson 426/398 X

FOREIGN PATENT DOCUMENTS

EP 0 738 472 A1 * 10/1996
GB Des. 2102628 * 6/2001 28/2

OTHER PUBLICATIONS

Best 1992/93 Cat., p. 174: items 6–8.*
Drug & Cosmetic Industry (D&CI), Jun. 1994, p. 72: cosmetic product in jar on upper right.*
Glamour Nov. 1997, p. 112: cosmetic products indicated by arrows.*
Primal Elements ®Cat., Spring/Summer 2001, candles in jars on p. 14.*

* cited by examiner

Primary Examiner—Philip S. Hyder
Assistant Examiner—C. Tuttle
(74) *Attorney, Agent, or Firm*—Dorsey & Whitney, LLP

(57) **CLAIM**

The ornamental design for a cosmetic product, as shown and described.

(56) **References Cited**

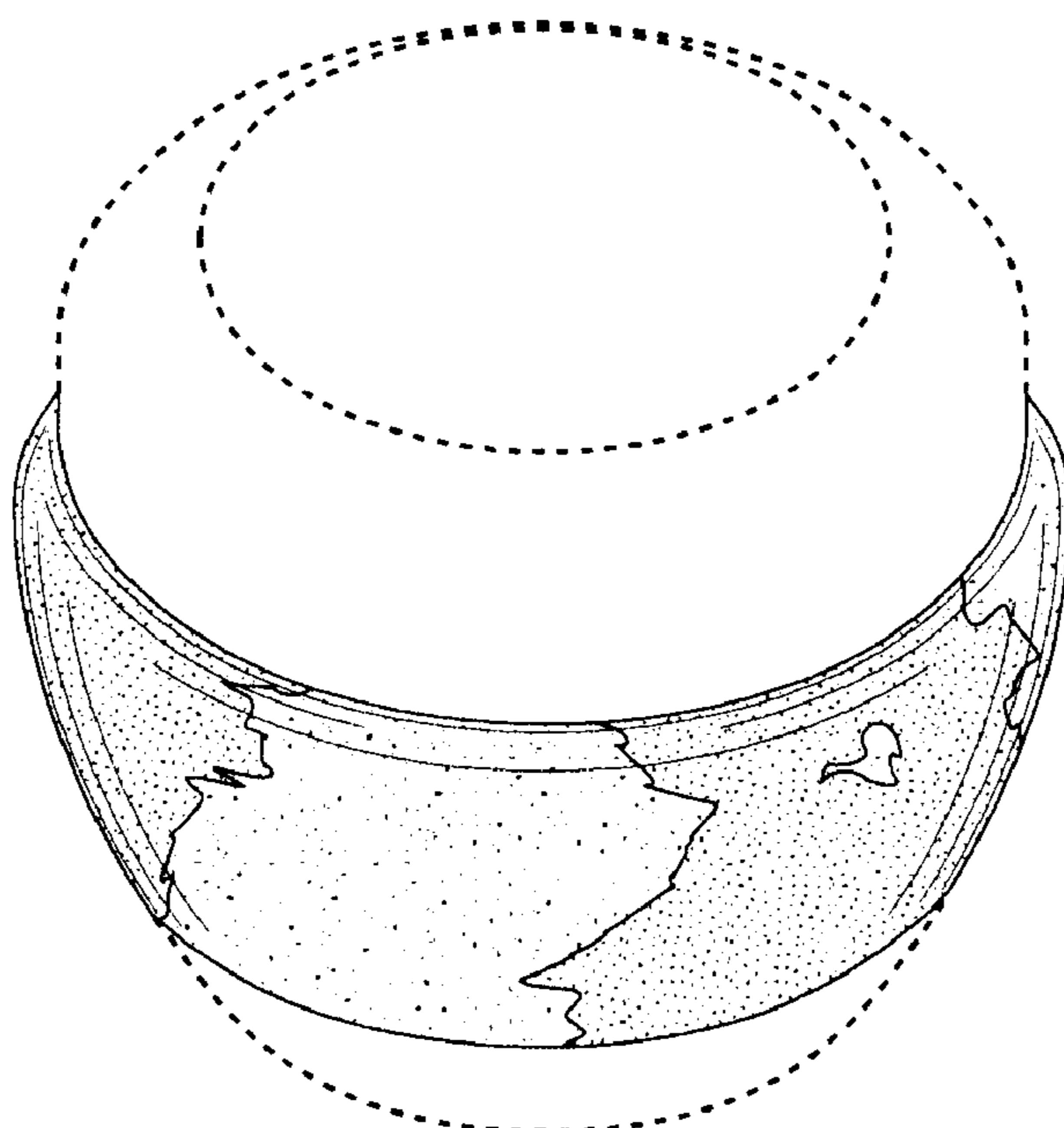
U.S. PATENT DOCUMENTS

D102,154 S * 12/1936 Vuillemont D9/424
2,174,779 A * 10/1939 Delorme 264/74 X
3,509,920 A * 5/1970 Word 141/100
D224,731 S * 9/1972 Nathan D9/307
3,877,325 A * 4/1975 Wall 428/13 X
4,631,847 A * 12/1986 Colin 428/13 X
D316,961 S * 5/1991 Hoenig D9/337
D323,289 S * 1/1992 Hoenig D9/337

DESCRIPTION

FIG. 1 is a front perspective view of a cosmetic product; FIG. 2 is a front elevational view thereof; FIG. 3 is a top plan view thereof; and, FIG. 4 is a bottom plan view thereof. The portions shown in broken lines are for illustrative purposes only; and form no part of the claimed invention.

1 Claim, 2 Drawing Sheets



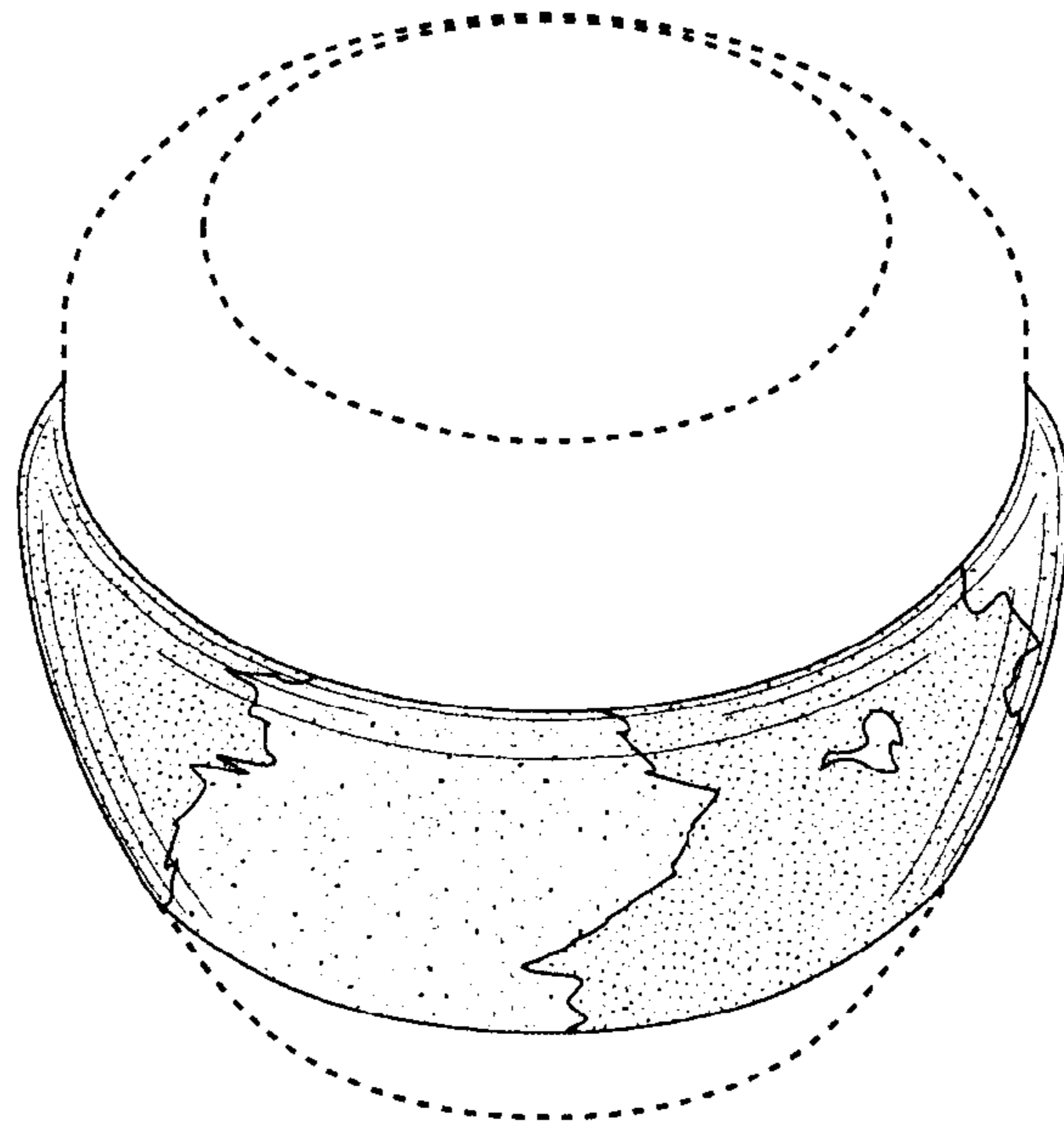


FIG. 1

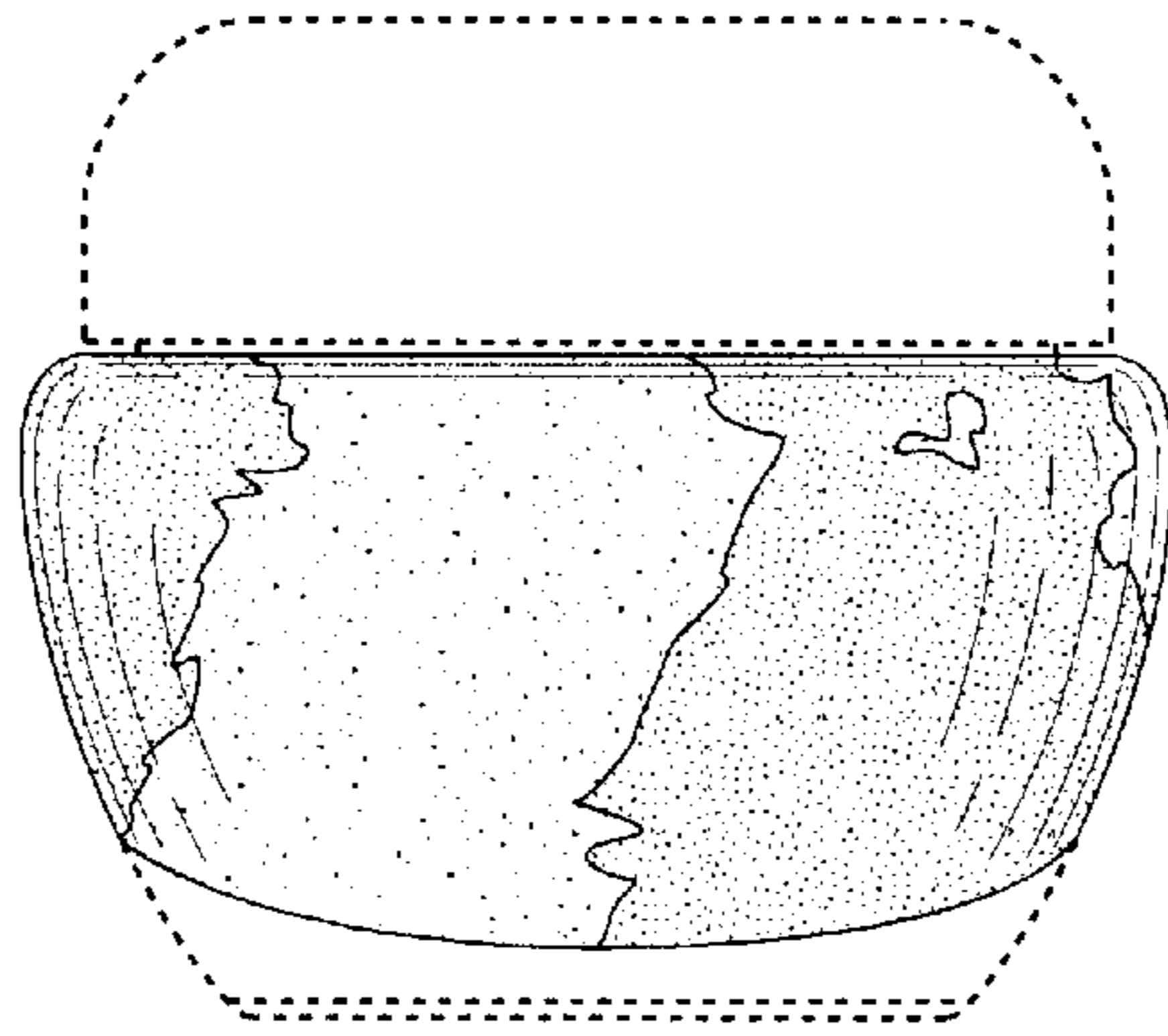


FIG. 2

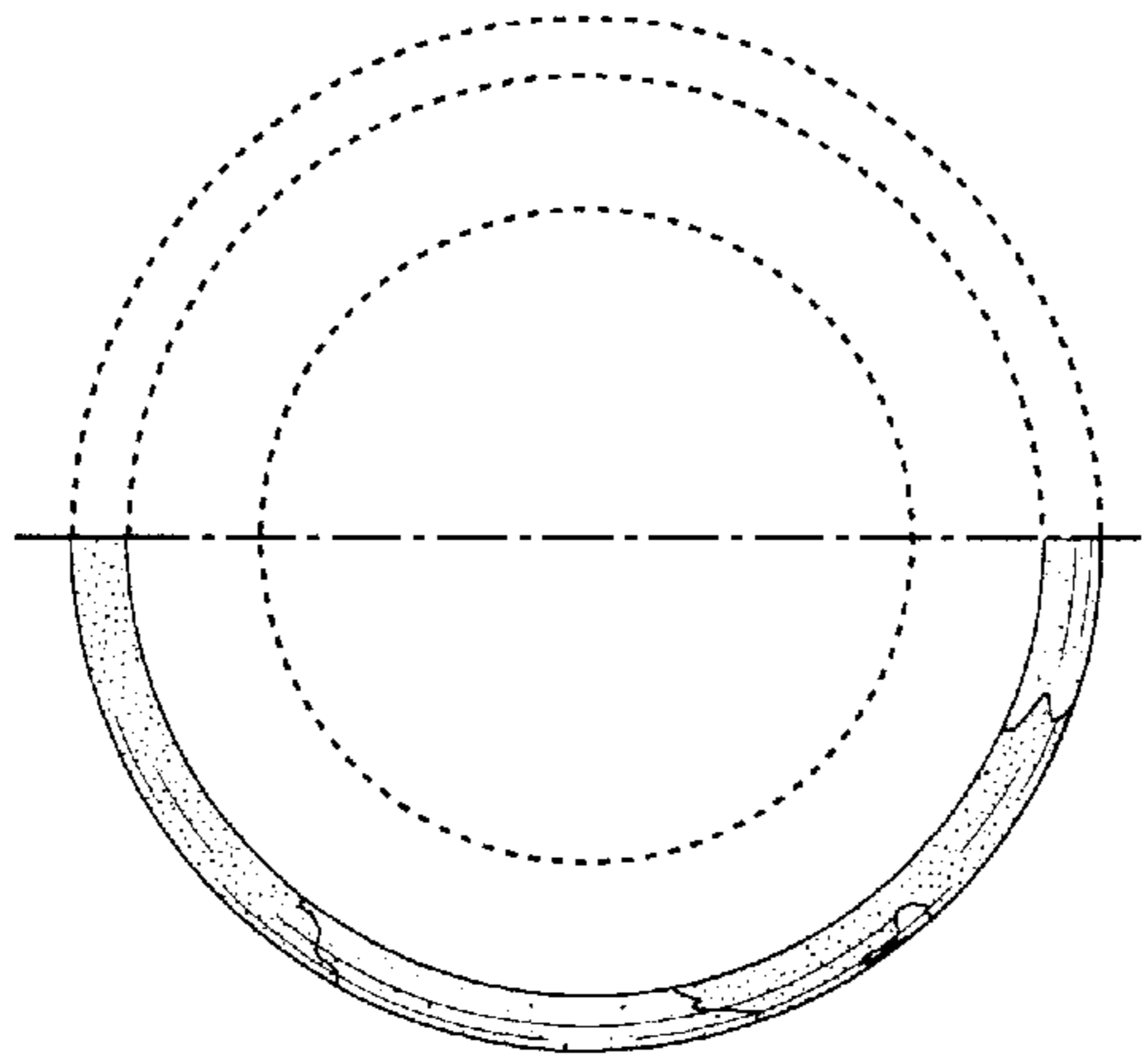


FIG. 3

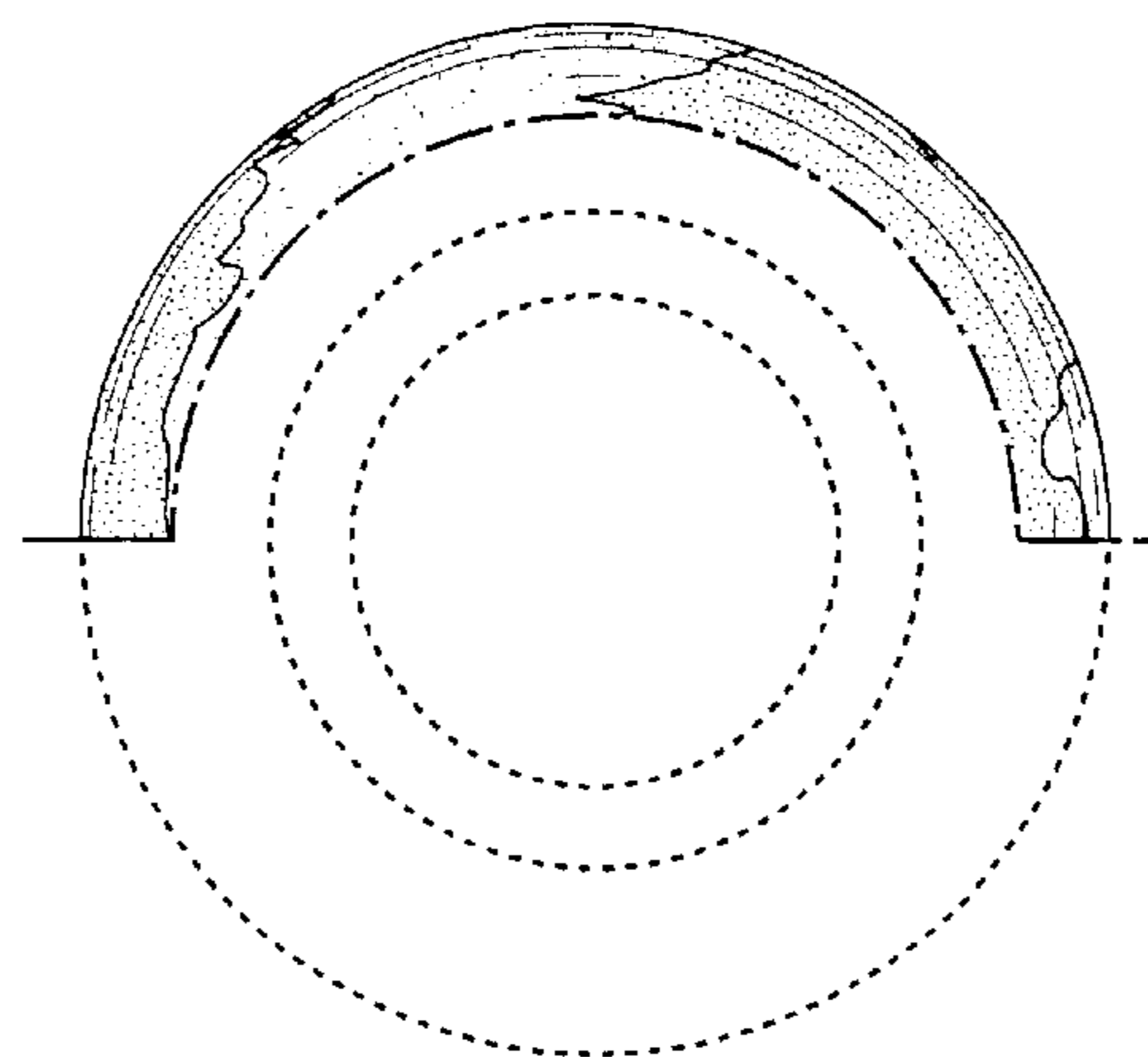


FIG. 4