



US00D471665S

(12) **United States Design Patent**
Huang

(10) **Patent No.:** **US D471,665 S**

(45) **Date of Patent:** **** Mar. 11, 2003**

(54) **SUPPORT FRAME OF A TABLE LAMP**

D394,913 S * 6/1998 Chan D26/65

(75) Inventor: **Huo-Tu Huang**, Taipei Hsien (TW)

* cited by examiner

(73) Assignee: **Huangslite Industrial Co., Ltd.**, Taipei Hsien (TW)

Primary Examiner—Jennifer Rivard
(74) *Attorney, Agent, or Firm*—Bacon & Thomas, PLLC

(**) Term: **14 Years**

(57) **CLAIM**

(21) Appl. No.: **29/164,963**

The ornamental design for a support frame of a table lamp, as shown and described.

(22) Filed: **Aug. 5, 2002**

DESCRIPTION

(51) **LOC (7) Cl.** **26-99**

(52) **U.S. Cl.** **D26/145**

(58) **Field of Search** D26/61-65, 138, D26/155, 145; 362/413, 418, 419, 427

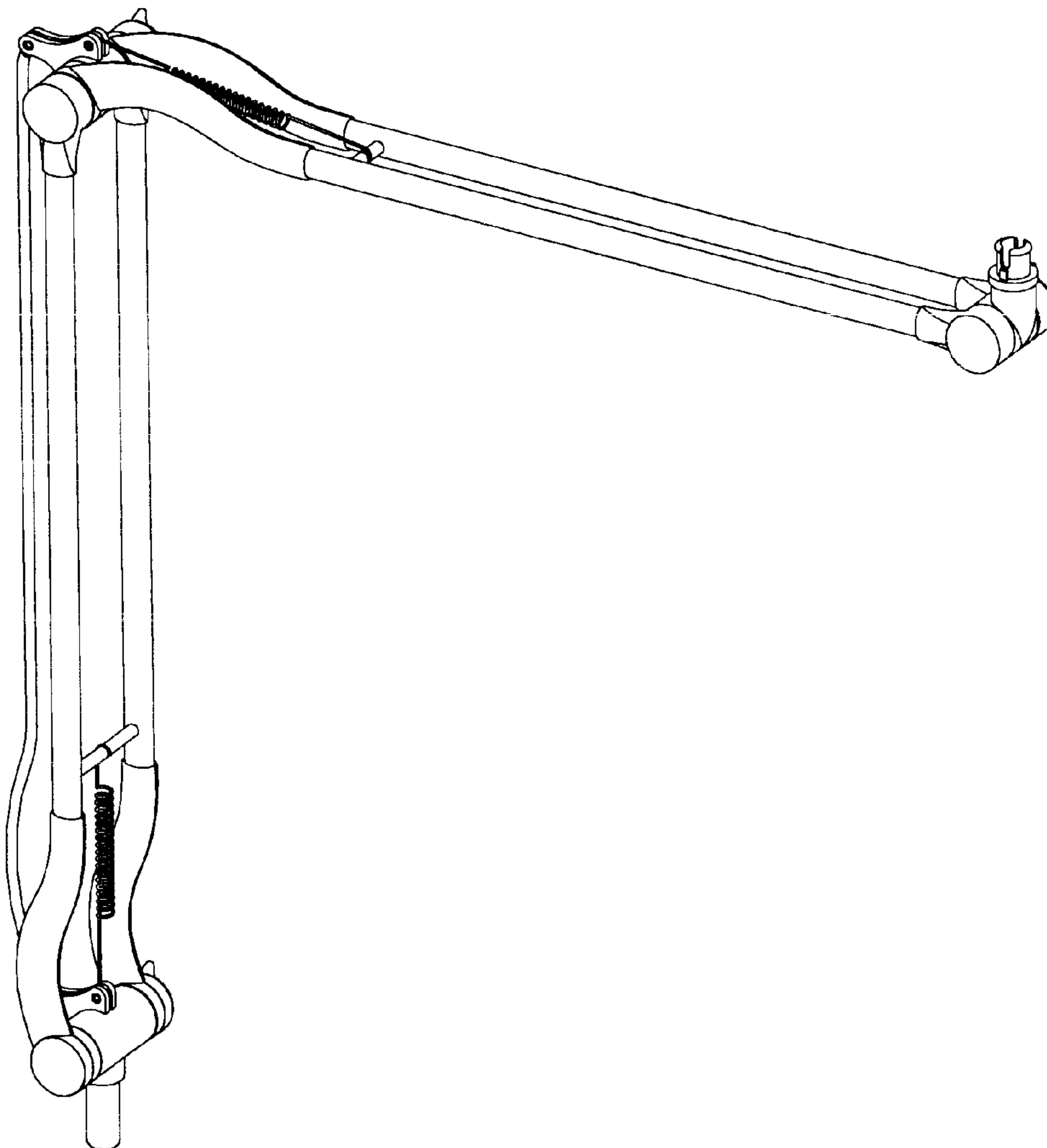
FIG. 1 is a top, front right side perspective view thereof;
FIG. 2 is a front elevational view thereof;
FIG. 3 is a rear elevational view thereof;
FIG. 4 is a left plan view thereof;
FIG. 5 is a right plan view thereof;
FIG. 6 is a top plan view thereof; and,
FIG. 7 is a bottom plan view thereof.

(56) **References Cited**

U.S. PATENT DOCUMENTS

5,101,332 A * 3/1992 Hsia 362/413
D378,859 S * 4/1997 Yumita et al. D26/65

1 Claim, 5 Drawing Sheets



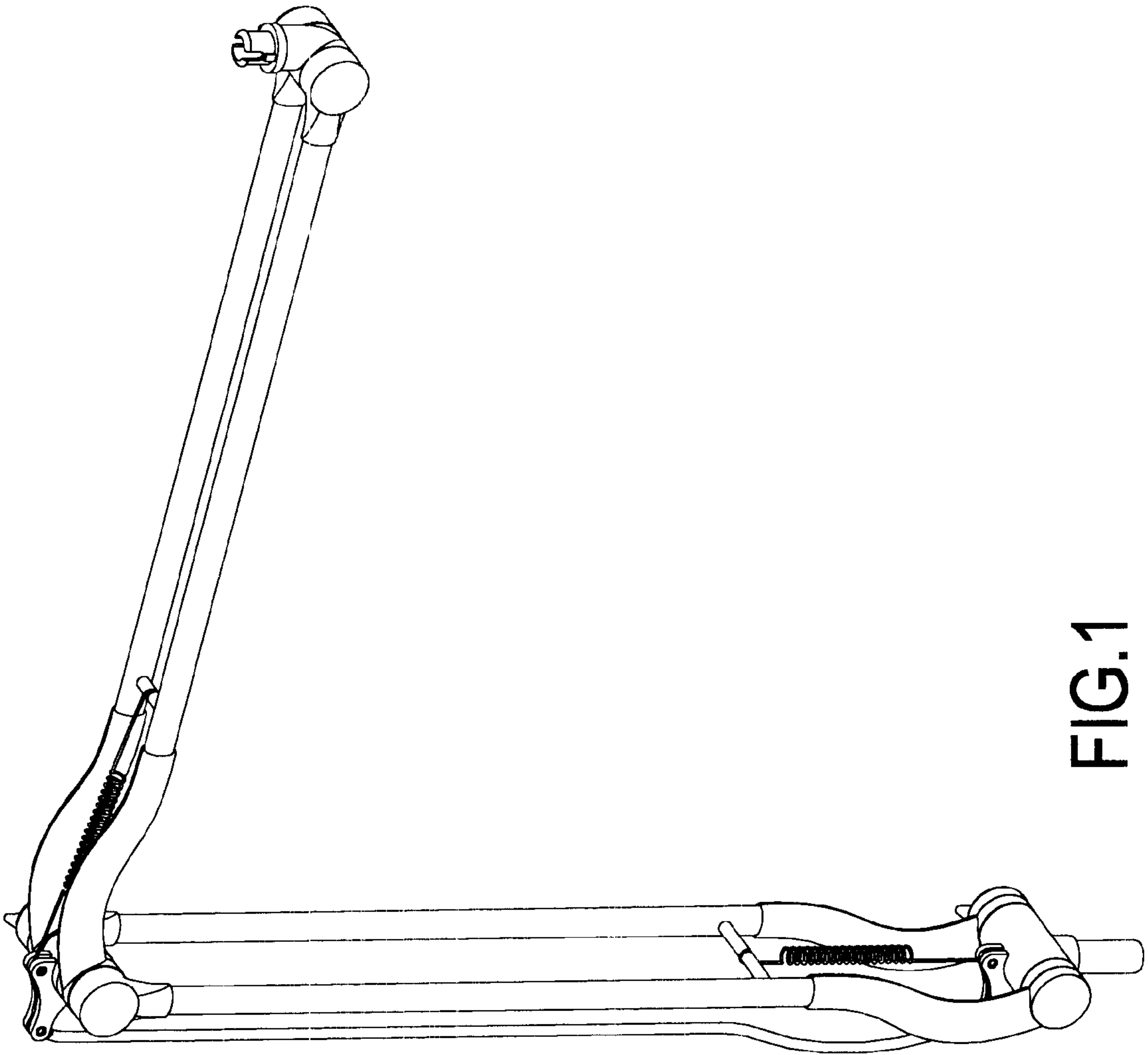


FIG.1

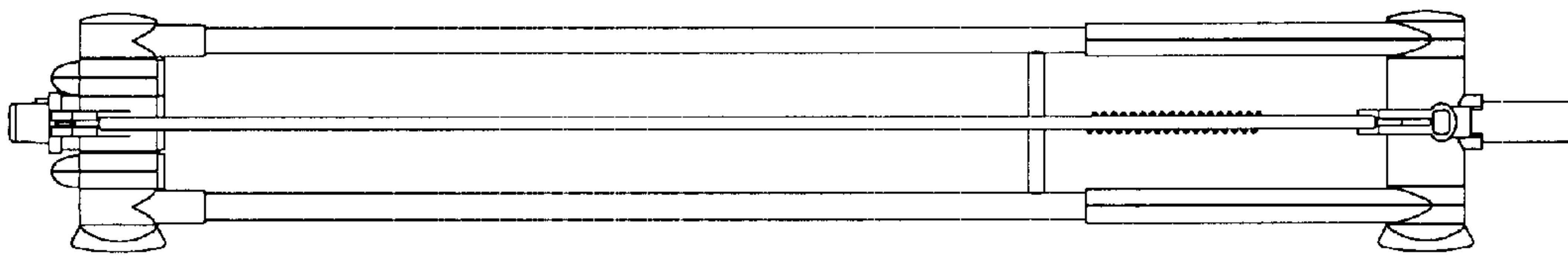


FIG.3

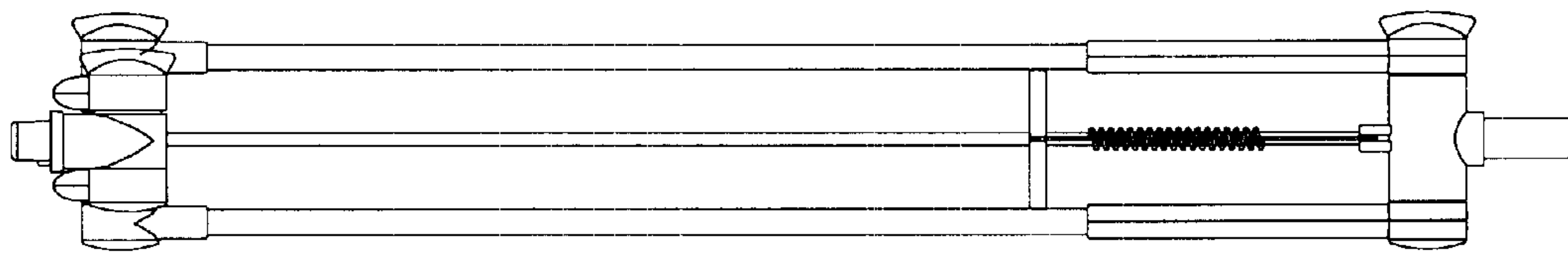


FIG.2

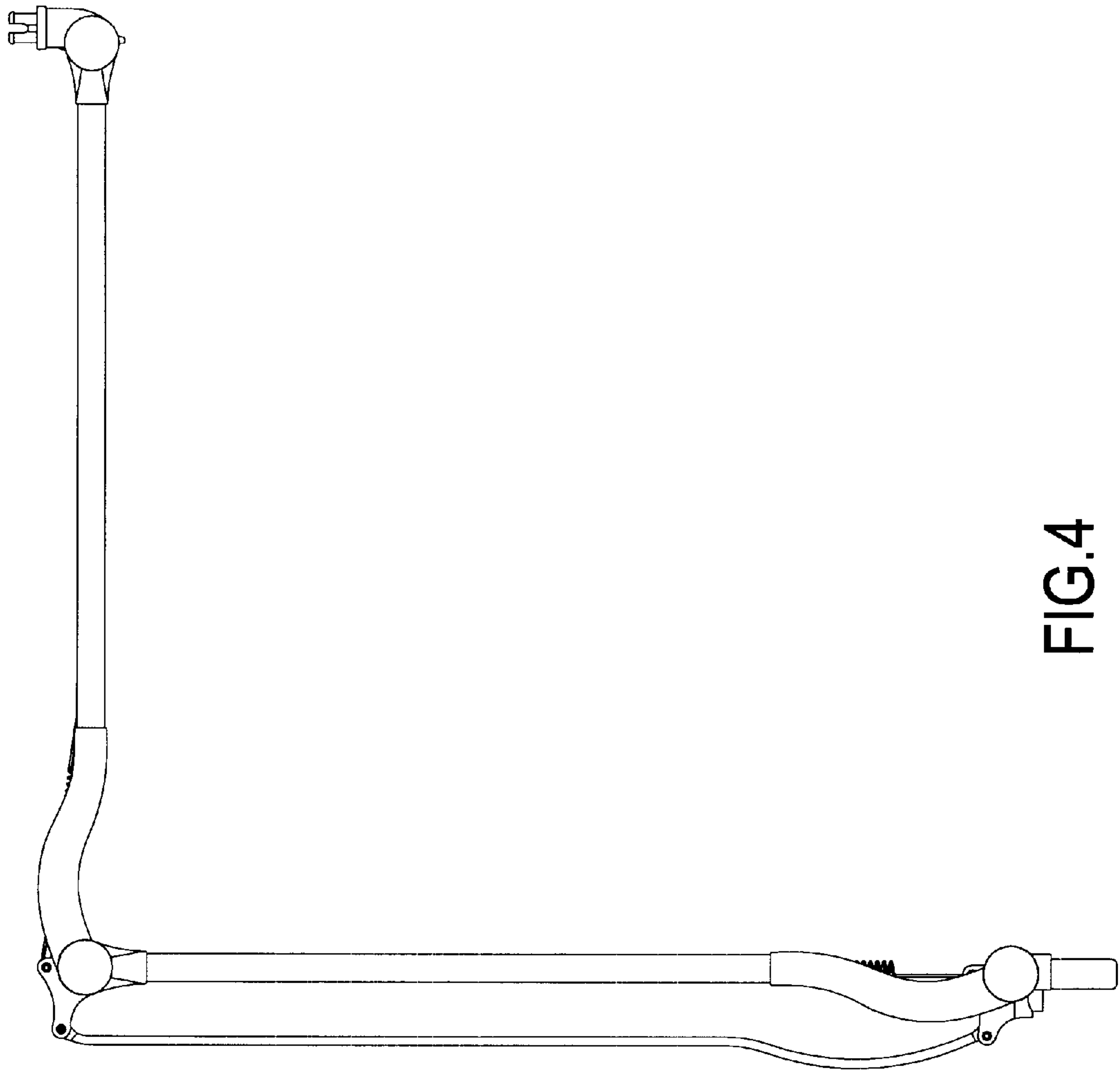


FIG.4

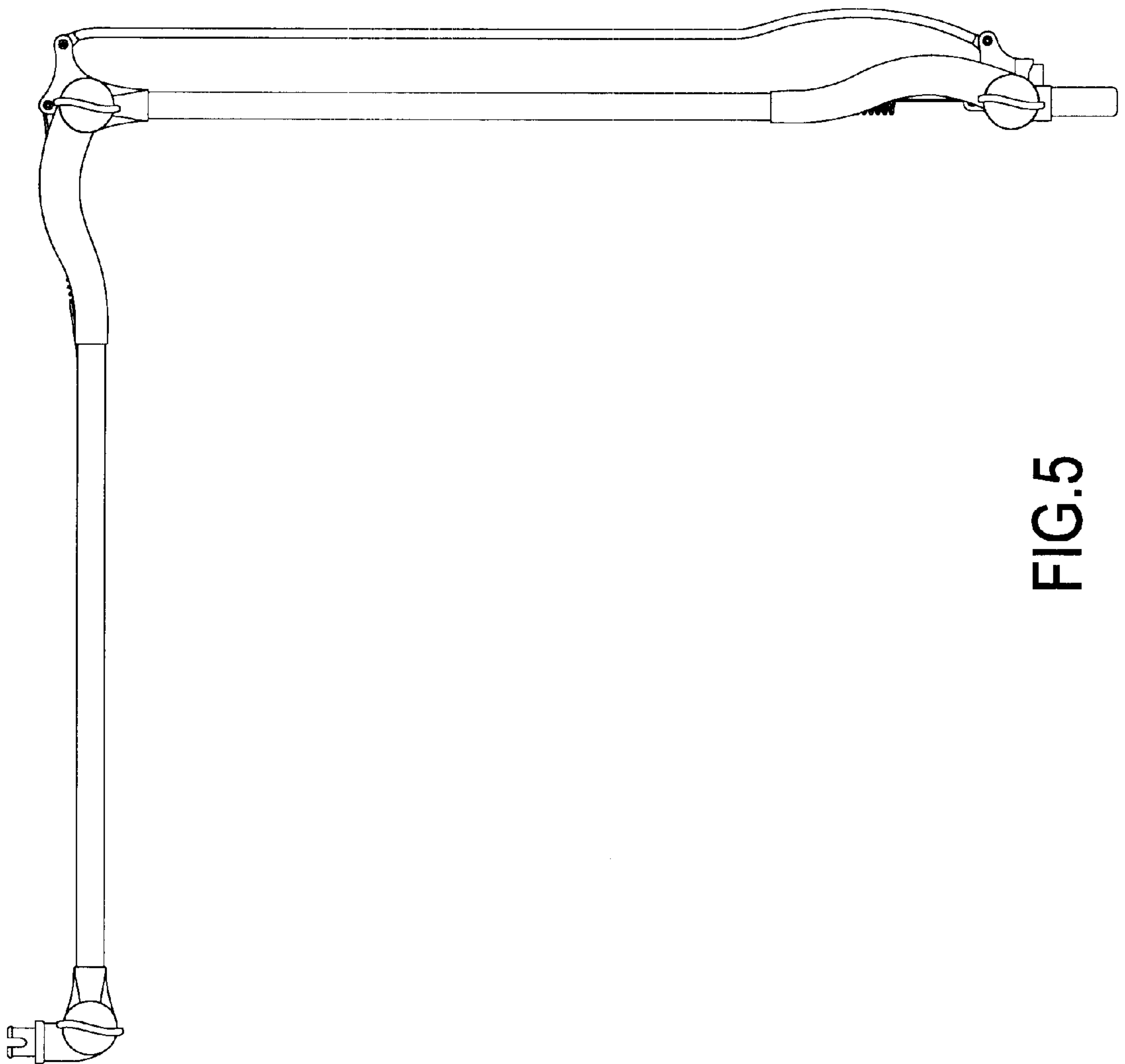


FIG. 5

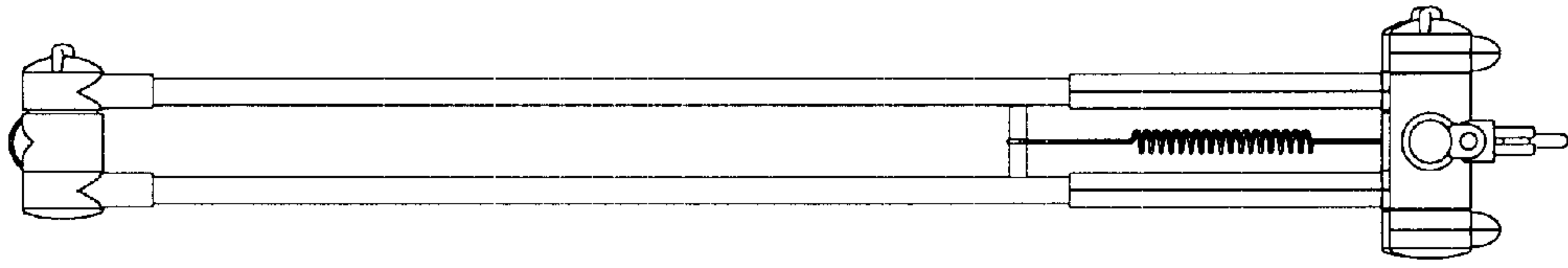


FIG. 7

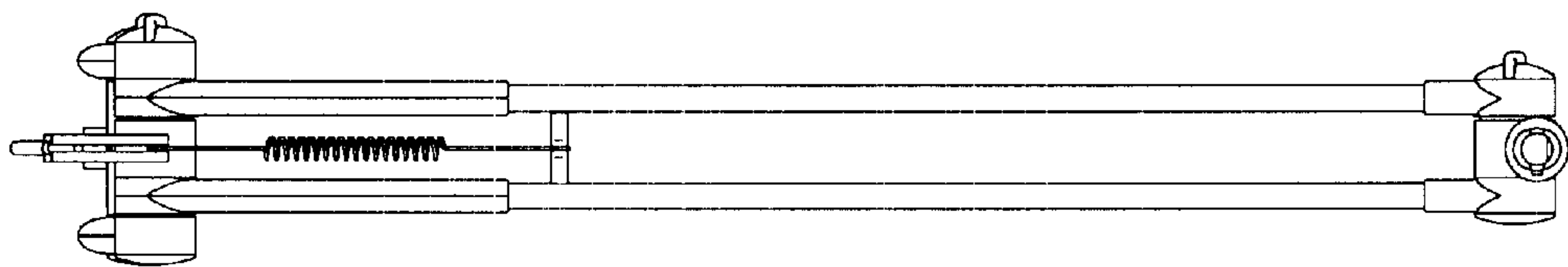


FIG. 6