



US00D471662S

(12) **United States Design Patent**  
**Sooferian**

(10) **Patent No.:** **US D471,662 S**

(45) **Date of Patent:** **\*\* Mar. 11, 2003**

(54) **LANTERN**

D456,547 S \* 4/2002 Leen ..... D26/67

(76) Inventor: **Danny H. Sooferian**, 425-I Constitution Ave., Camarillo, CA (US) 93012

\* cited by examiner

(\*\*) Term: **14 Years**

*Primary Examiner*—Marcus A. Jackson  
(74) *Attorney, Agent, or Firm*—Colin P. Abrahams

(21) Appl. No.: **29/150,421**

(57) **CLAIM**

(22) Filed: **Nov. 21, 2001**

The ornamental design for a lantern, as shown and described.

(51) **LOC (7) Cl.** ..... **26-05**

(52) **U.S. Cl.** ..... **D26/67**

(58) **Field of Search** ..... D26/67-71; 362/153, 362/153.1, 183, 276, 431

**DESCRIPTION**

FIG. 1 is a side view of the lantern of my new design; FIG. 2 is a perspective view of the lantern shown in FIG. 1, viewed from above; and FIG. 3 is a top view of the lantern shown in FIG. 1; and, FIG. 4 is a bottom view of the lantern shown in FIG. 1.

(56) **References Cited**

**U.S. PATENT DOCUMENTS**

D444,253 S \* 6/2001 Blanchard ..... D26/67  
D452,028 S \* 12/2001 Lee ..... D26/67

**1 Claim, 2 Drawing Sheets**

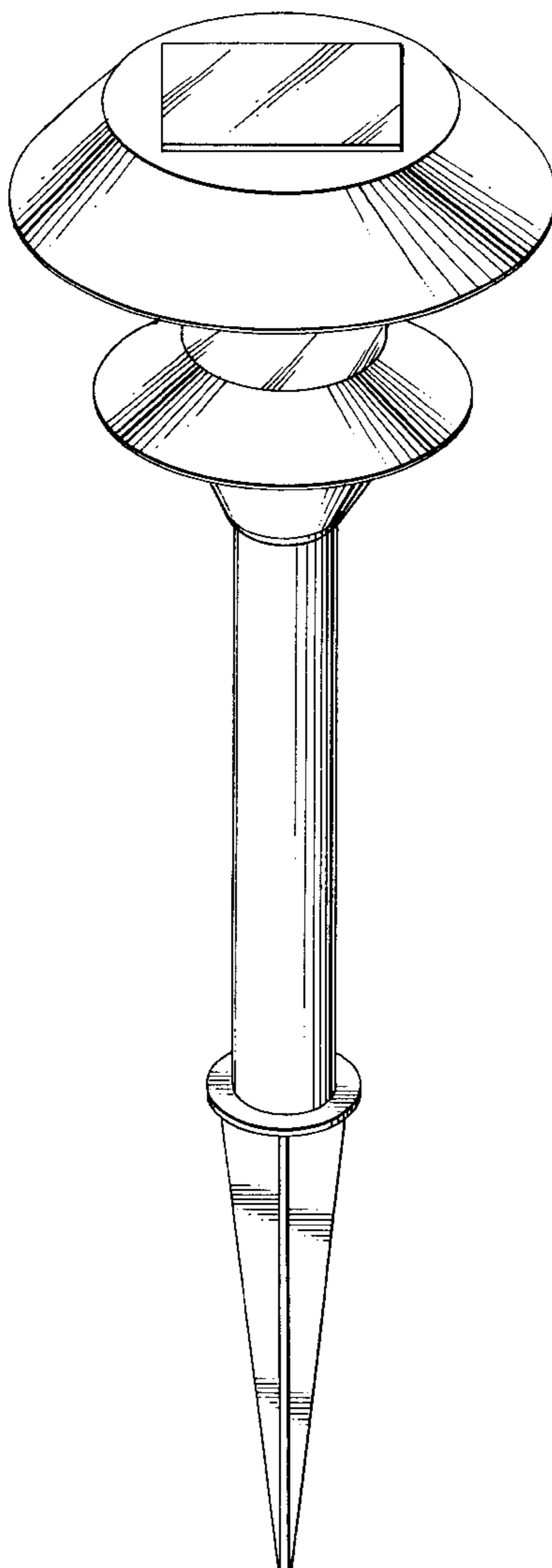


FIG. 1

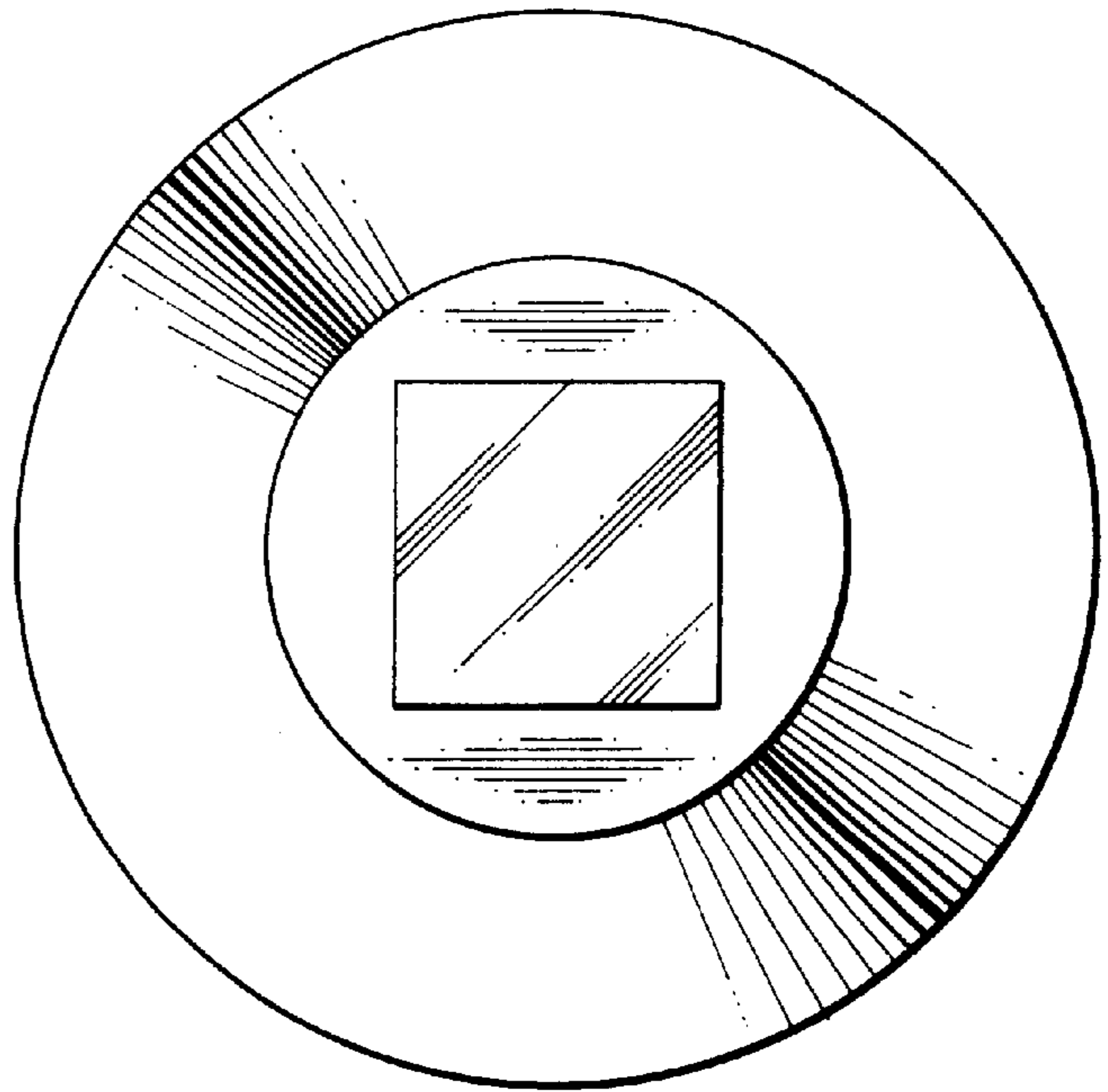
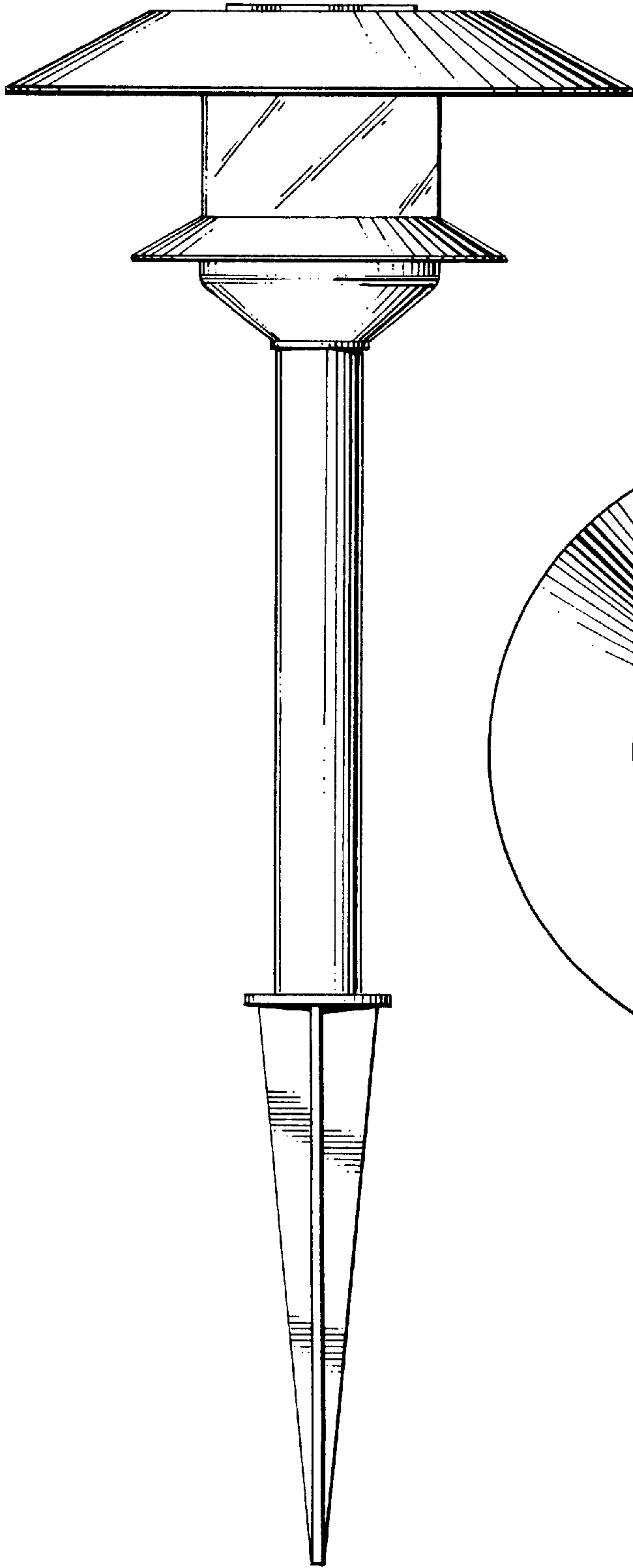


FIG. 3

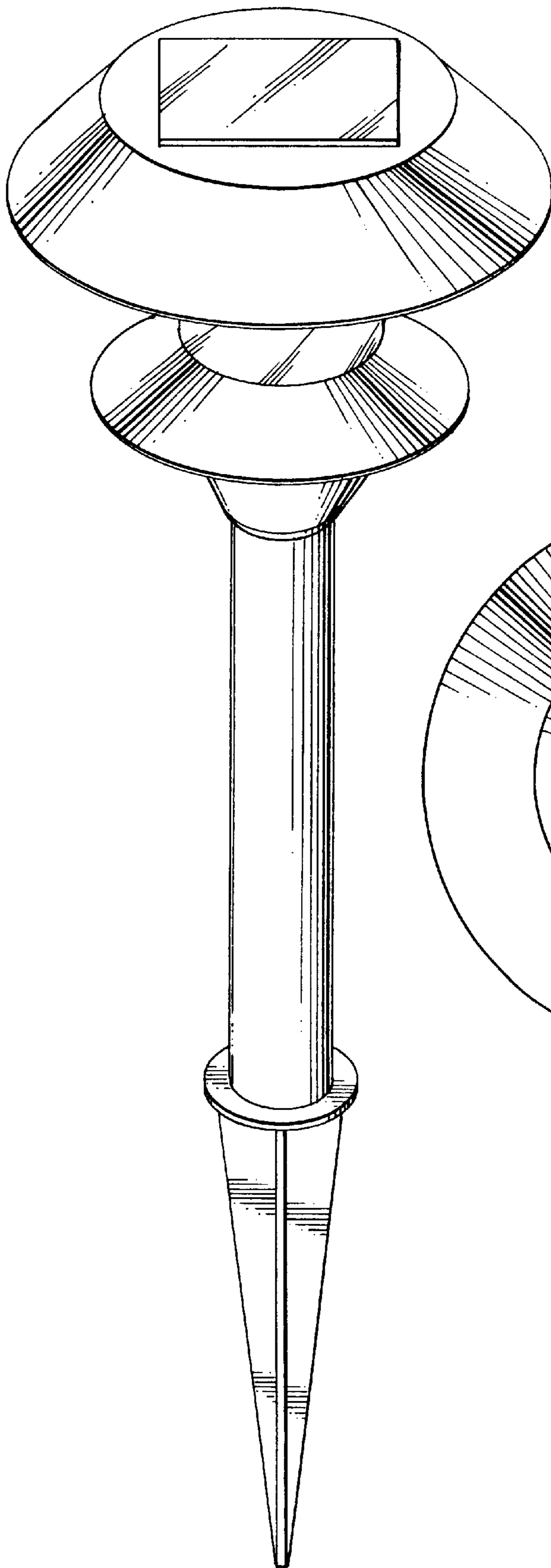


FIG. 2

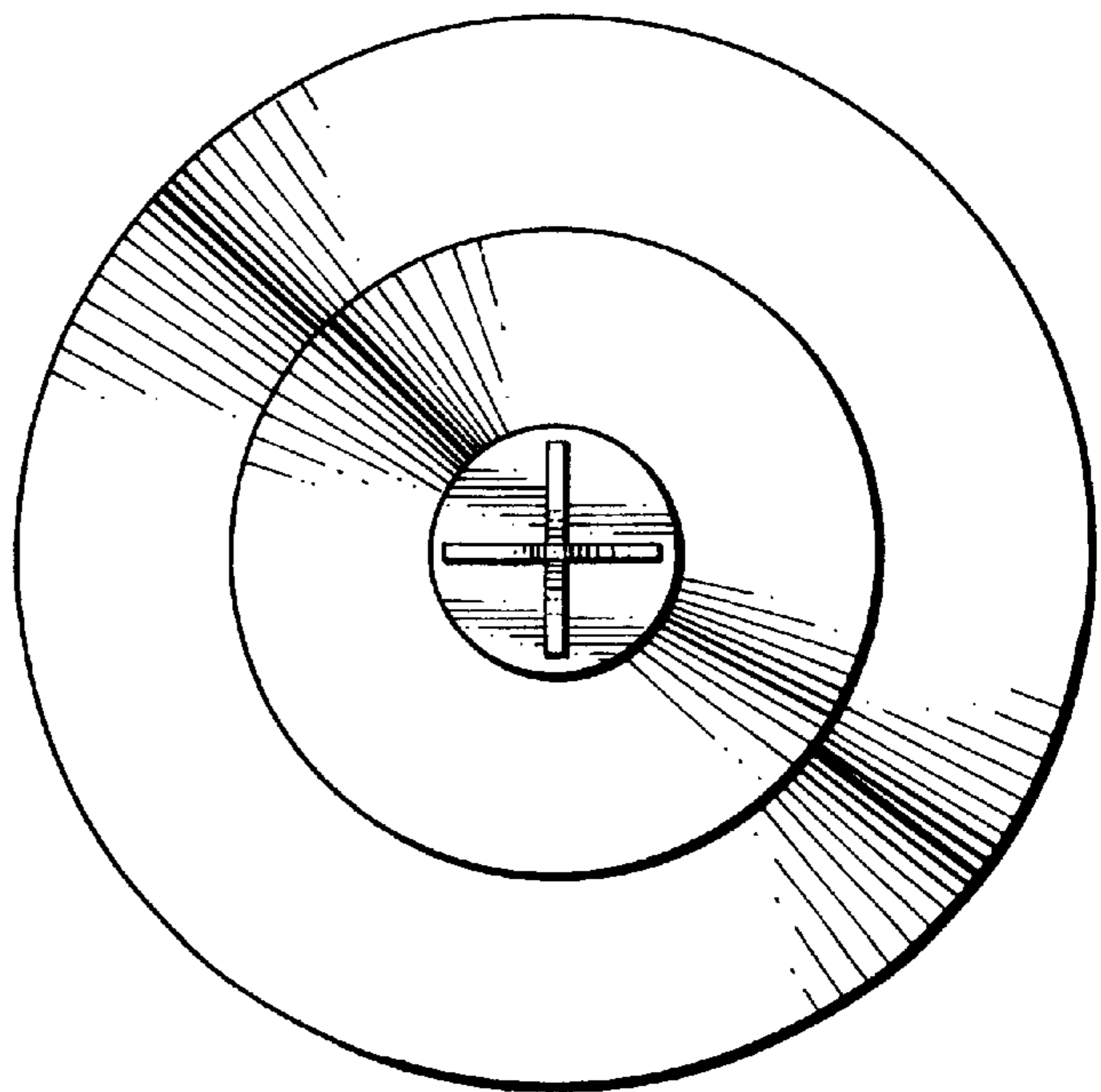


FIG. 9