



US00D471661S

(12) **United States Design Patent**  
**Reisbord**

(10) **Patent No.:** **US D471,661 S**

(45) **Date of Patent:** **\*\* Mar. 11, 2003**

(54) **PORTABLE LIGHTING FIXTURE WITH  
MOVEABLE ARM**

D403,094 S \* 12/1998 Grossman et al. .... D26/119  
D403,455 S \* 12/1998 Duennes ..... D26/119

(75) Inventor: **Steven T. Reisbord**, Ardmore, PA (US)

\* cited by examiner

(73) Assignee: **Checkolite International, Inc.**, Jersey  
City, NJ (US)

*Primary Examiner*—Marcus A. Jackson  
(74) *Attorney, Agent, or Firm*—Ezra Sutton

(\*\*) Term: **14 Years**

(57) **CLAIM**

(21) Appl. No.: **29/160,927**

The ornamental design for a portable lighting fixture with  
moveable arm, as shown and described.

(22) Filed: **May 20, 2002**

**DESCRIPTION**

(51) **LOC (7) Cl.** ..... **26-02**

(52) **U.S. Cl.** ..... **D26/40; D26/119**

(58) **Field of Search** ..... D26/37-50; 362/157,  
362/158, 171, 173, 183-208

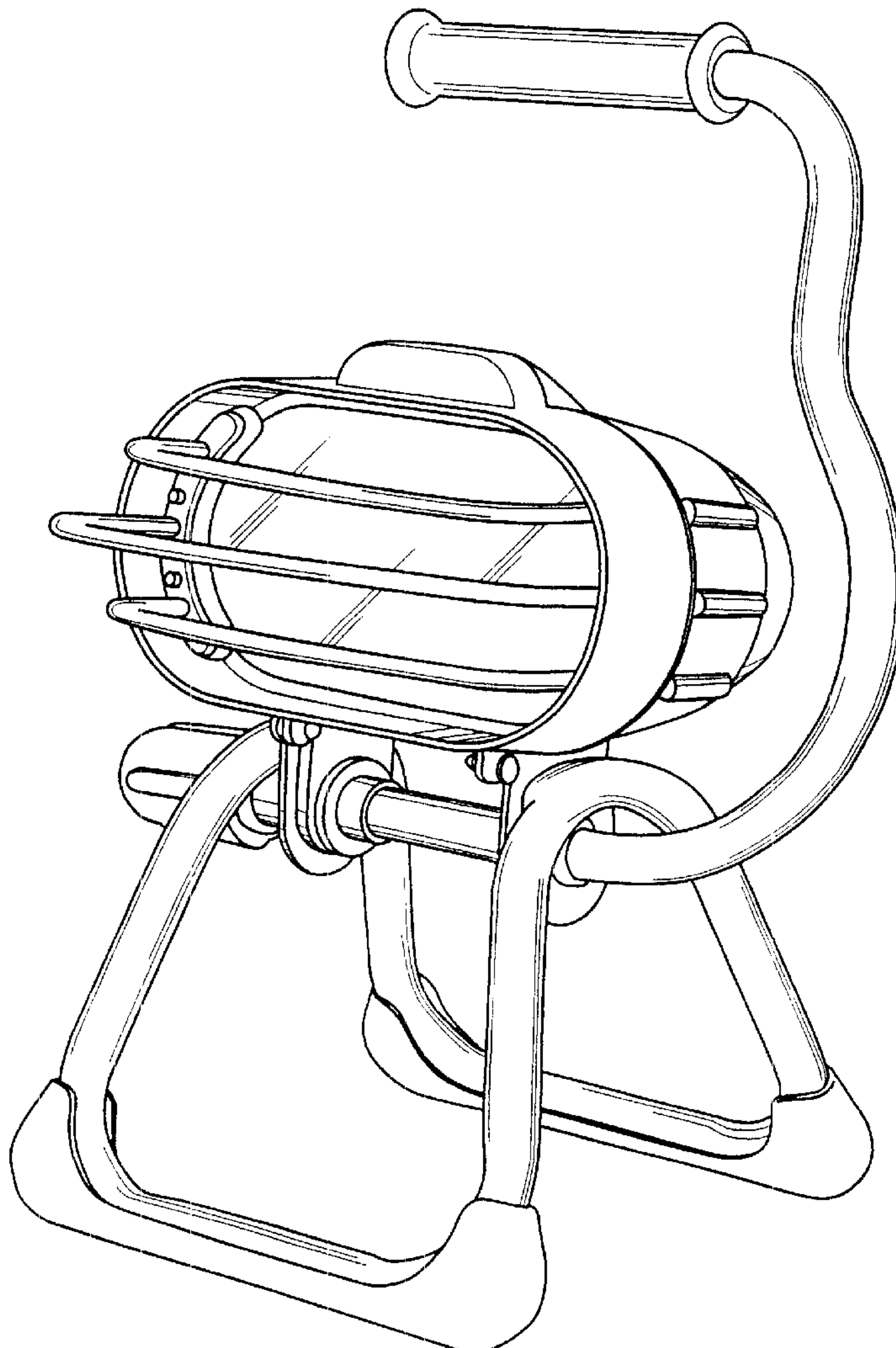
FIG. 1 is a perspective view showing the portable lighting  
fixture with moveable arm embodying my new design;  
FIG. 2 is a front view thereof;  
FIG. 3 is a rear view thereof;  
FIG. 4 is a left side view thereof;  
FIG. 5 is a right side view thereof; and,  
FIG. 6 is a top view thereof.

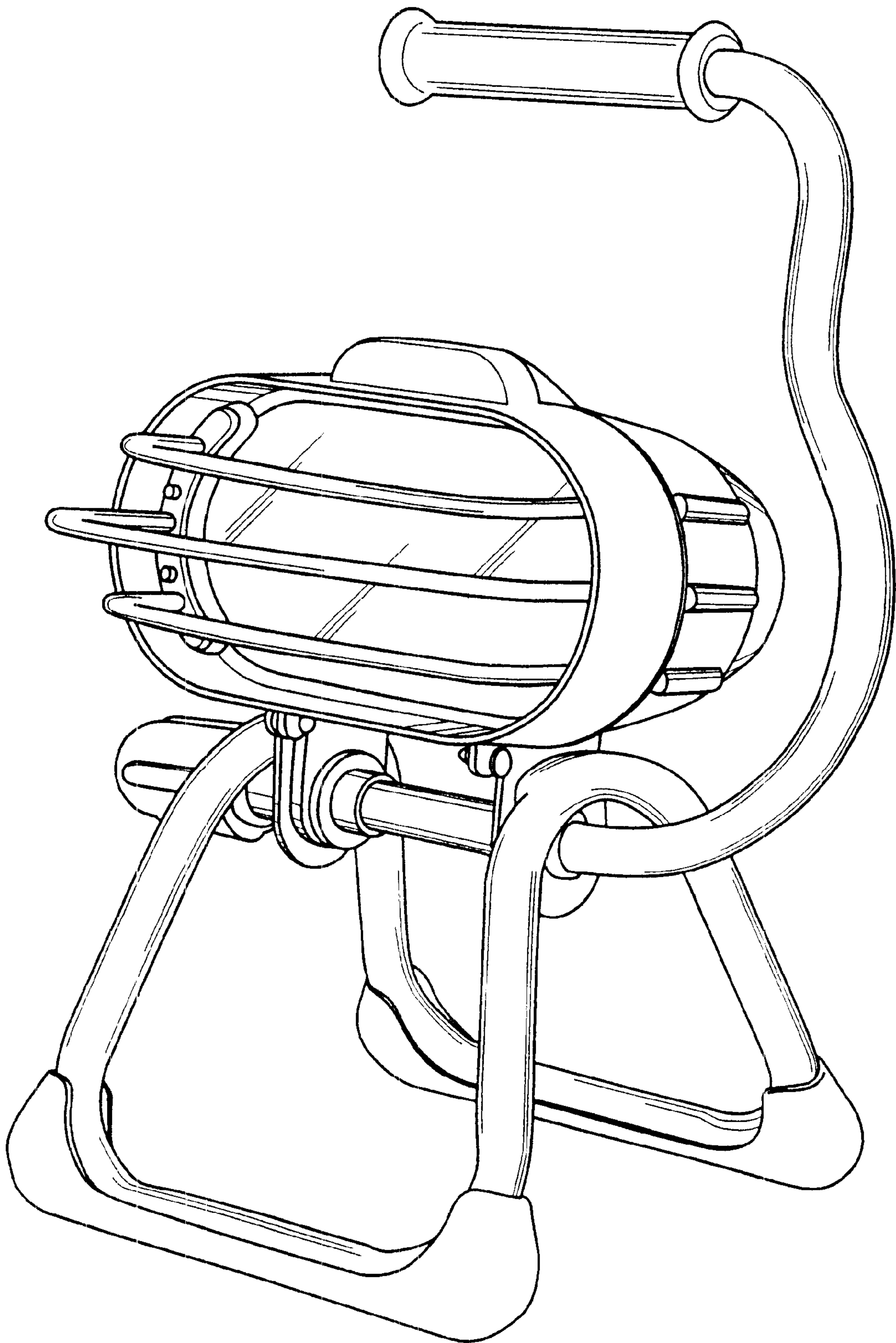
(56) **References Cited**

**U.S. PATENT DOCUMENTS**

D375,377 S \* 11/1996 Leen ..... D26/119

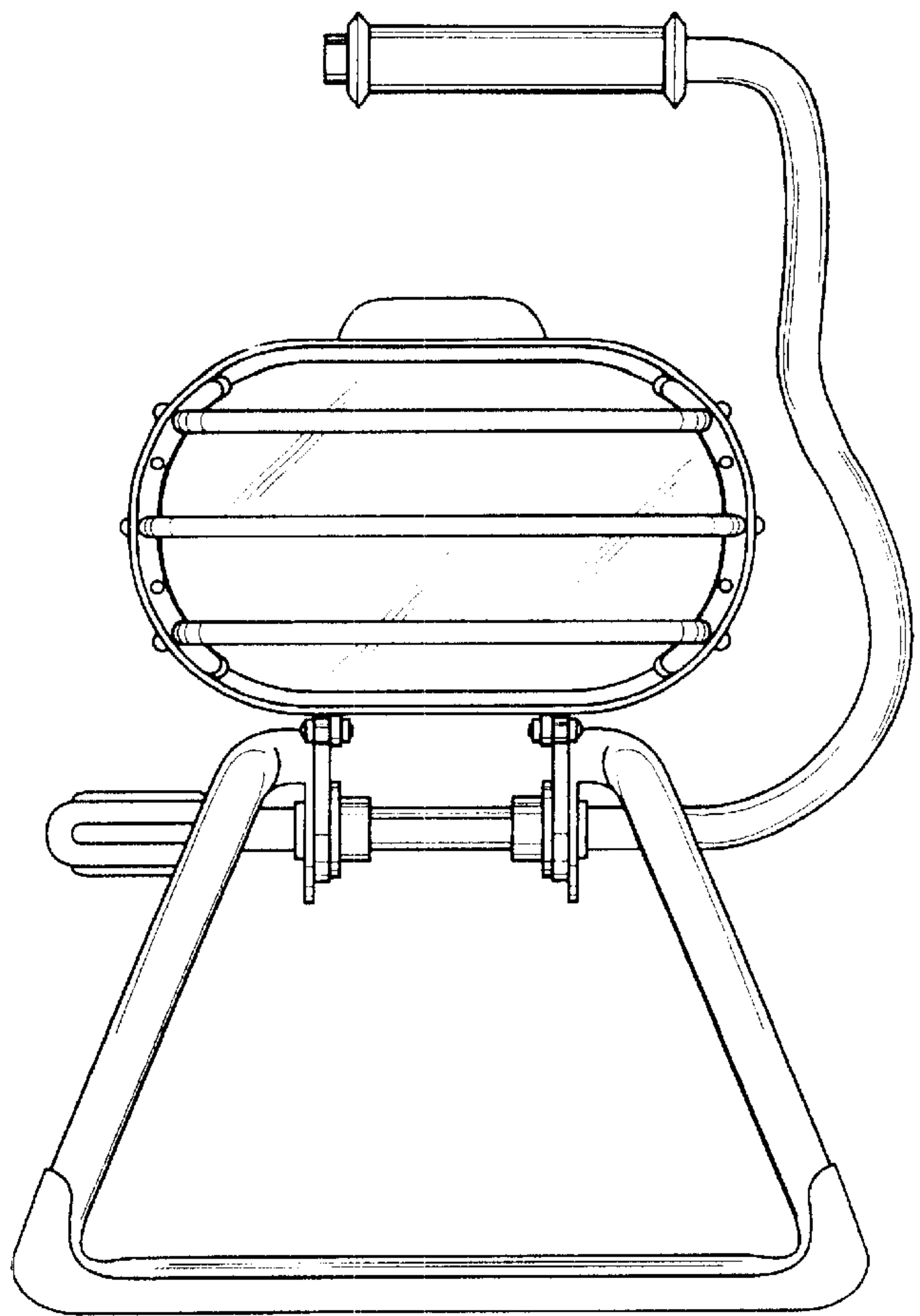
**1 Claim, 4 Drawing Sheets**



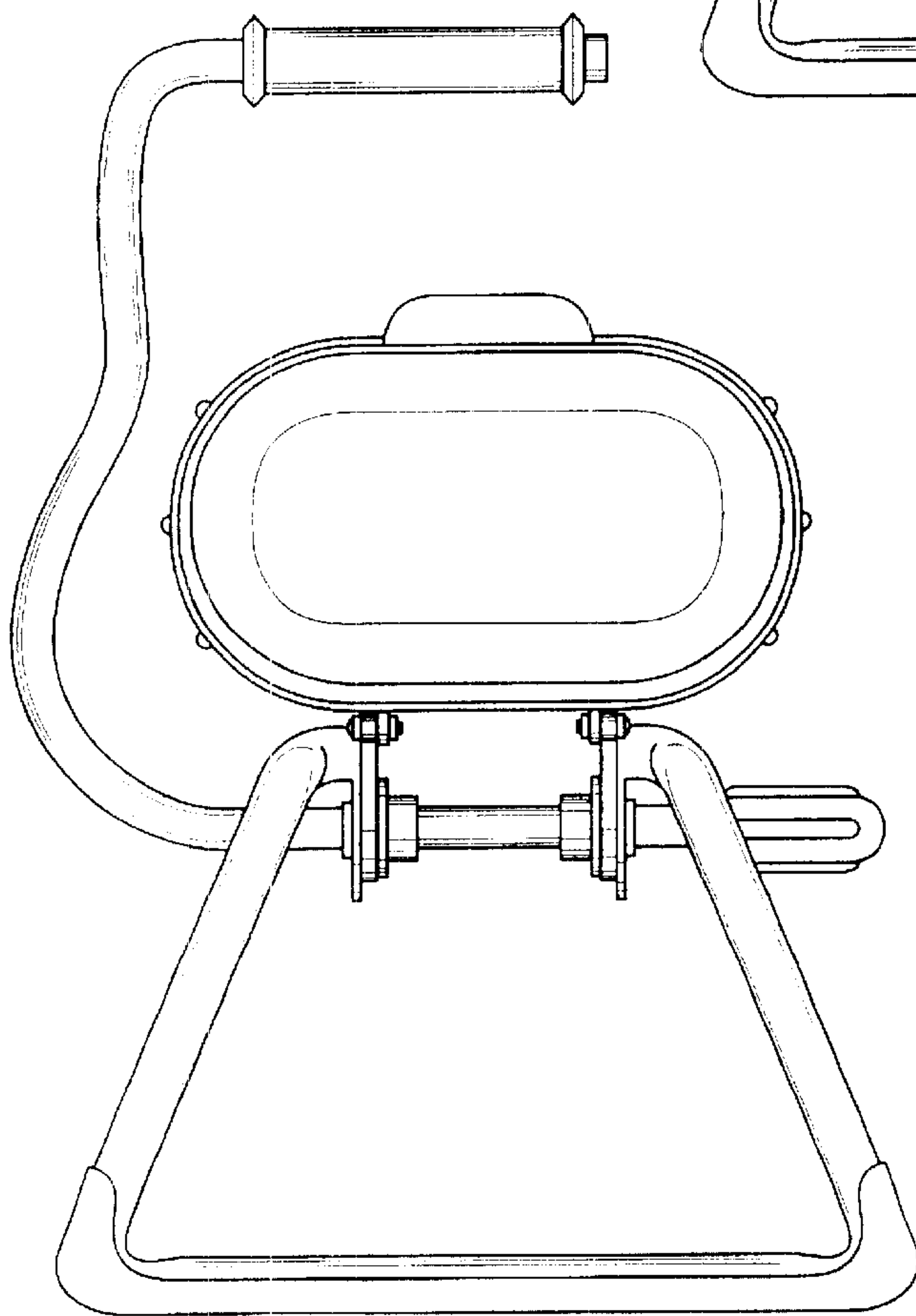


**FIG. 1**

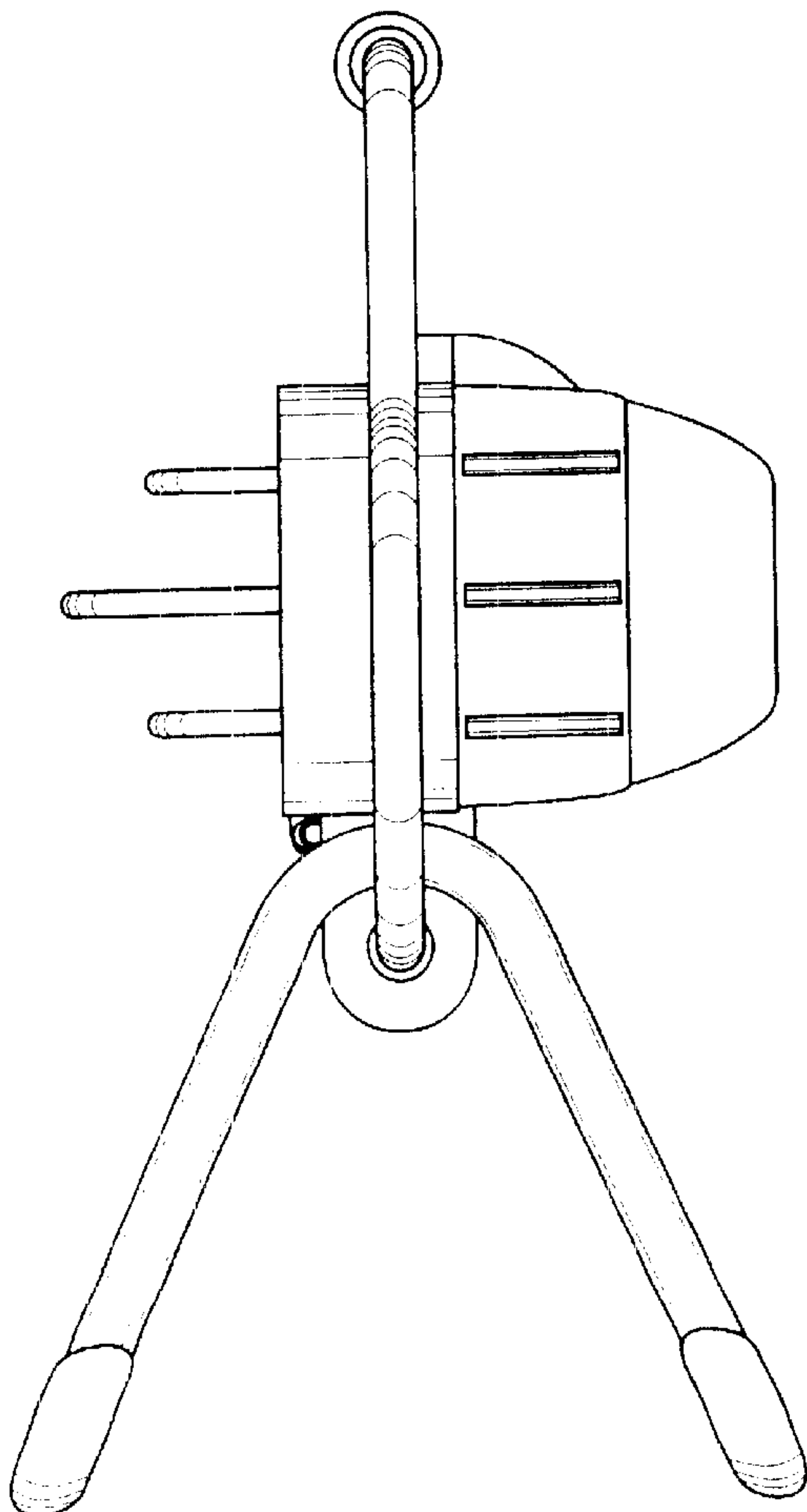
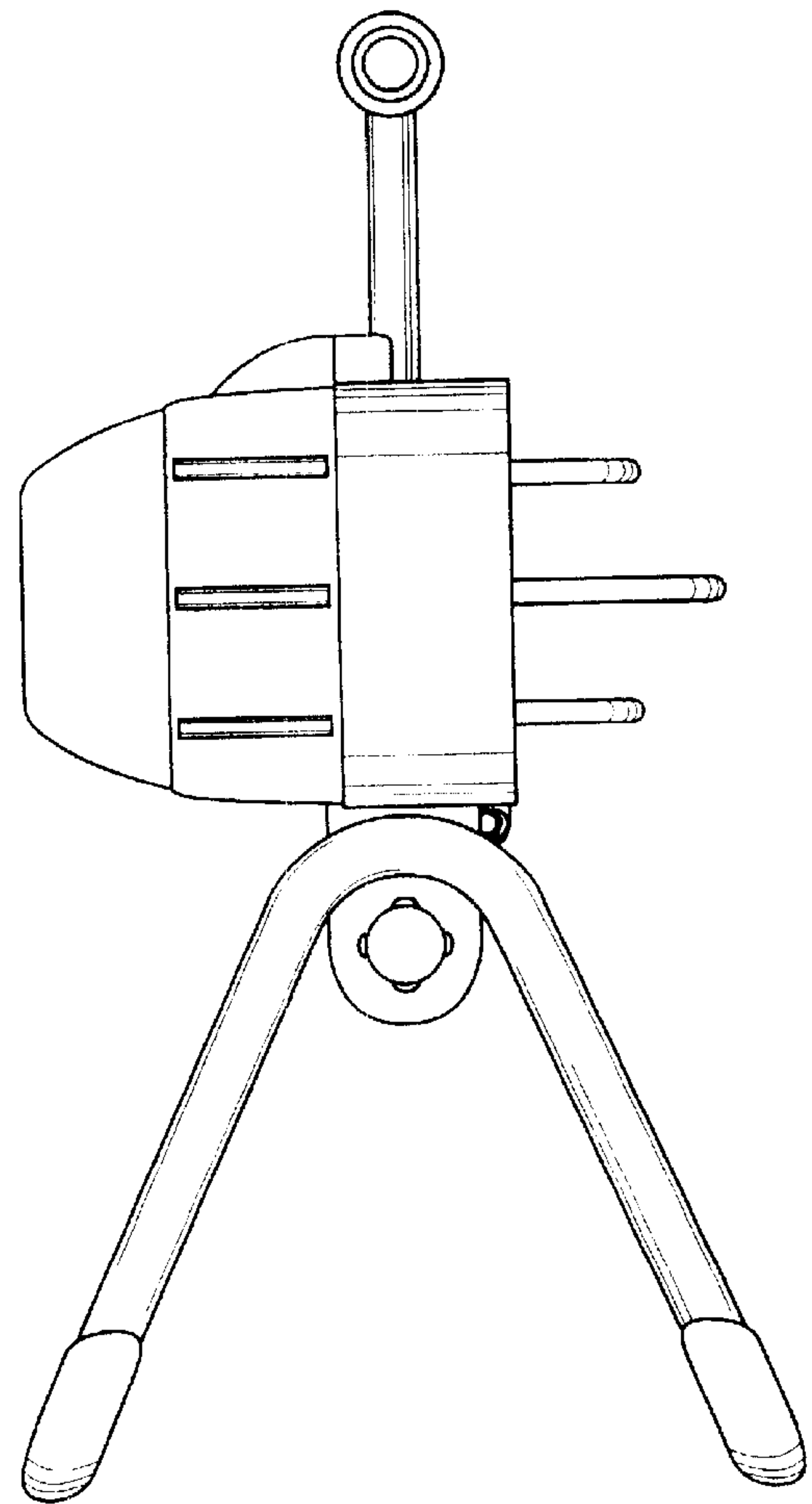
**FIG. 2**



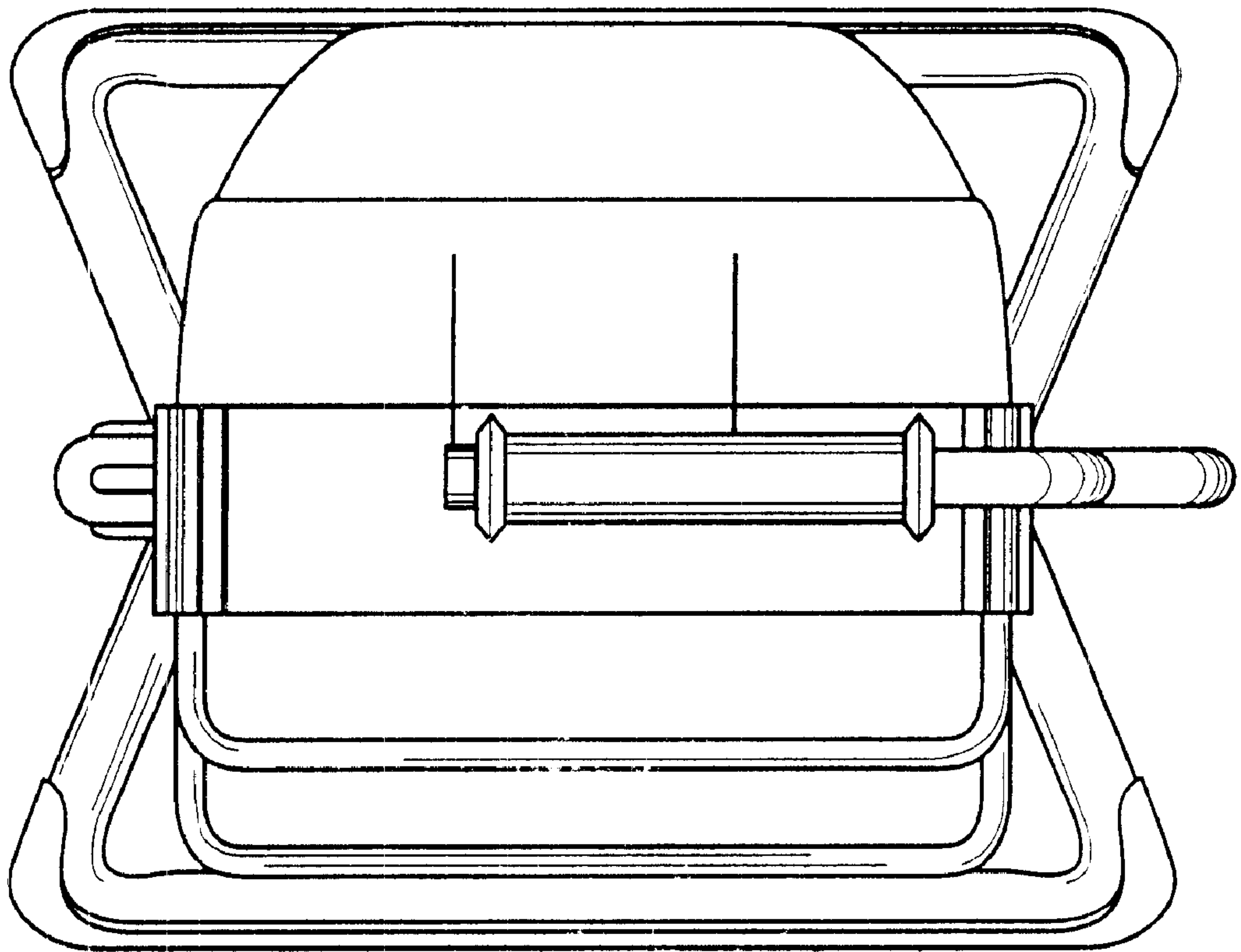
**FIG. 3**



**FIG. 4**



**FIG. 5**



***FIG. 6***