



US00D471658S

(12) **United States Design Patent**
Byggmästar

(10) **Patent No.:** **US D471,658 S**

(45) **Date of Patent:** **** Mar. 11, 2003**

(54) **LAMP FOR A VEHICLE**

(75) **Inventor:** **Klas Byggmästar**, Furuholmen (FI)

(73) **Assignee:** **Oy B. Herrmans Ab**, Pietarsaari (FI)

(**) **Term:** **14 Years**

(21) **Appl. No.:** **29/157,583**

(22) **Filed:** **Mar. 21, 2002**

(30) **Foreign Application Priority Data**

Sep. 21, 2001 (FI) M20010629

(51) **LOC (7) Cl.** **26-06**

(52) **U.S. Cl.** **D26/28**

(58) **Field of Search** D26/28-36; 362/61,
362/80, 81, 82, 83, 326, 329-340, 418,
419

(56) **References Cited**

U.S. PATENT DOCUMENTS

D372,995 S * 8/1996 Huang D26/28

D436,193 S * 1/2001 Iacovelli D26/28

D439,687 S * 3/2001 Iacovelli et al. D26/28

D447,824 S * 9/2001 Hussaini et al. D26/28

* cited by examiner

Primary Examiner—Marcus A. Jackson

(74) *Attorney, Agent, or Firm*—Klauber & Jackson

(57) **CLAIM**

The ornamental design for a lamp for a vehicle, as shown and described.

DESCRIPTION

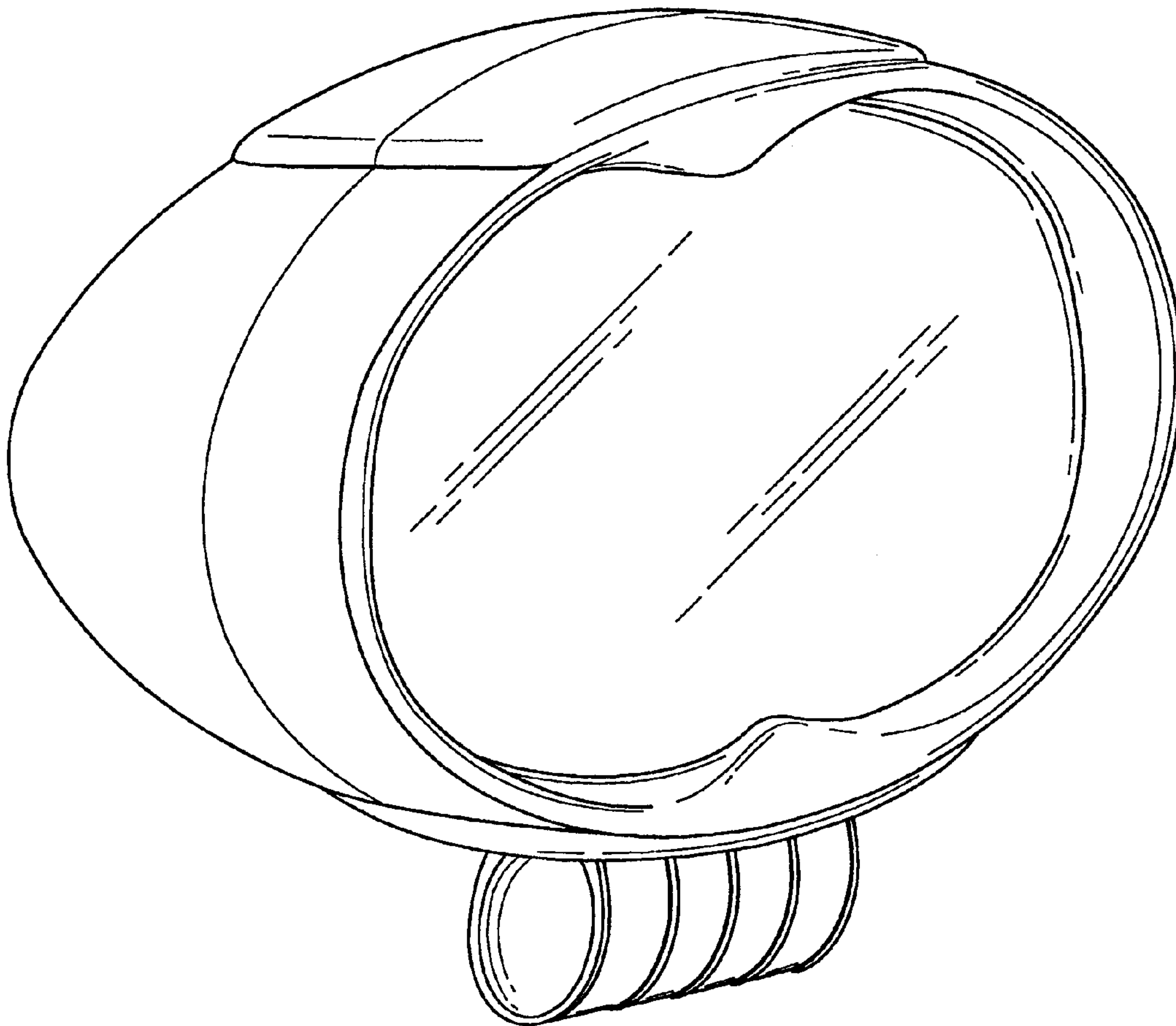
FIG. 1 is a rear perspective view taken from the left side, of the lamp for a vehicle of my new design;

FIG. 2 is a right front perspective view thereof;

FIG. 3 is a front elevational view thereof; and,

FIG. 4 is a right side view thereof, the left side view being identical thereto.

1 Claim, 2 Drawing Sheets



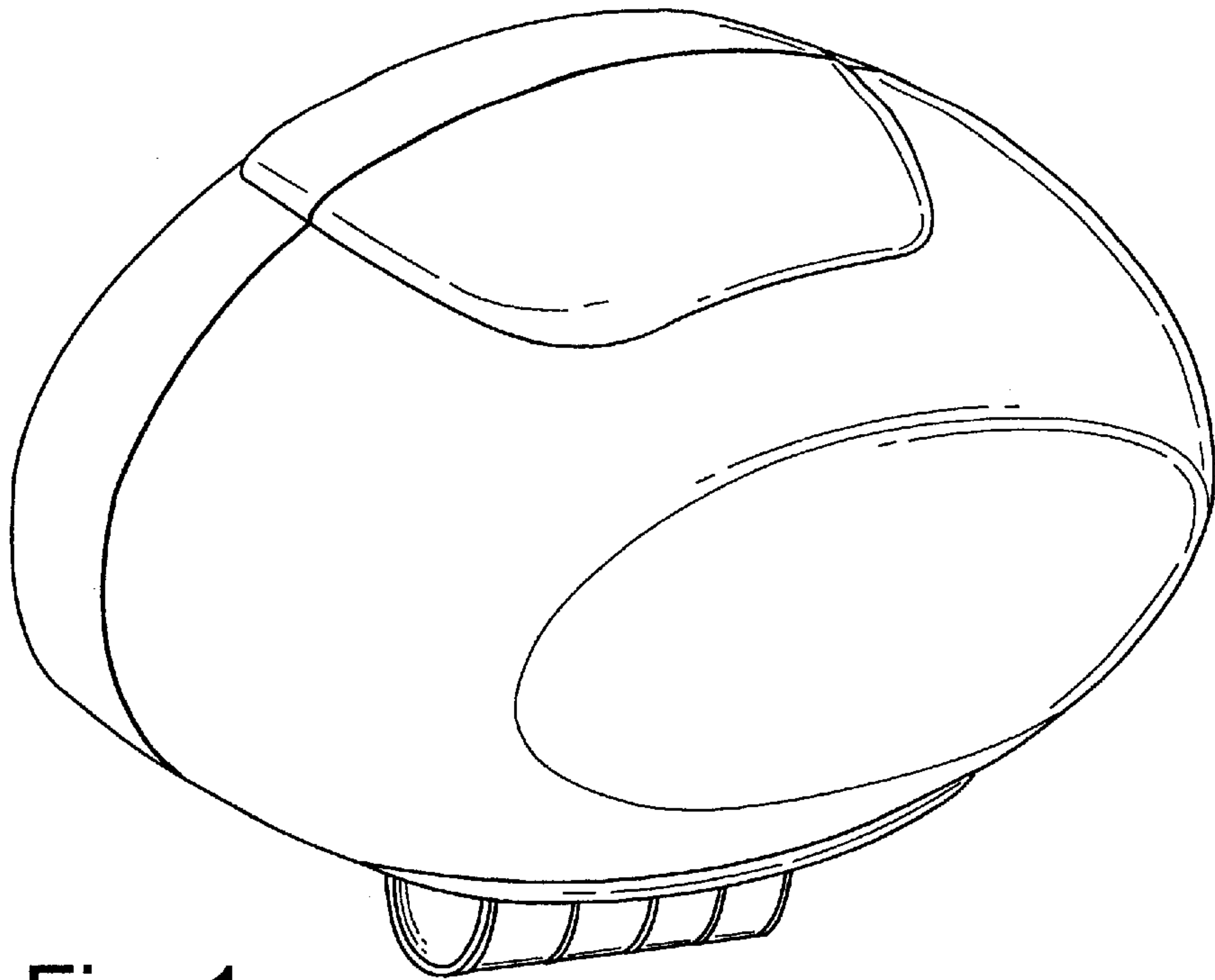


Fig. 1

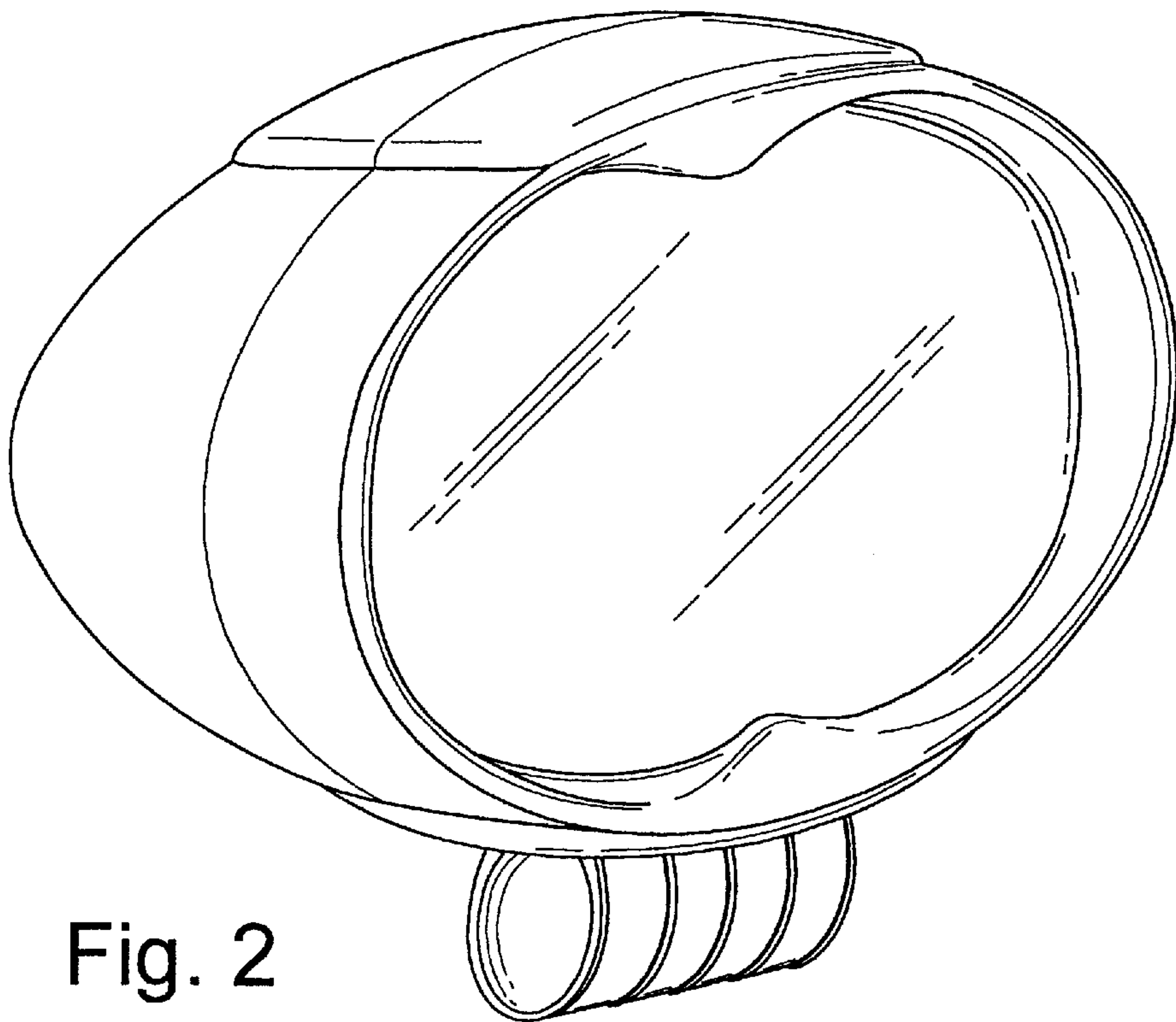


Fig. 2

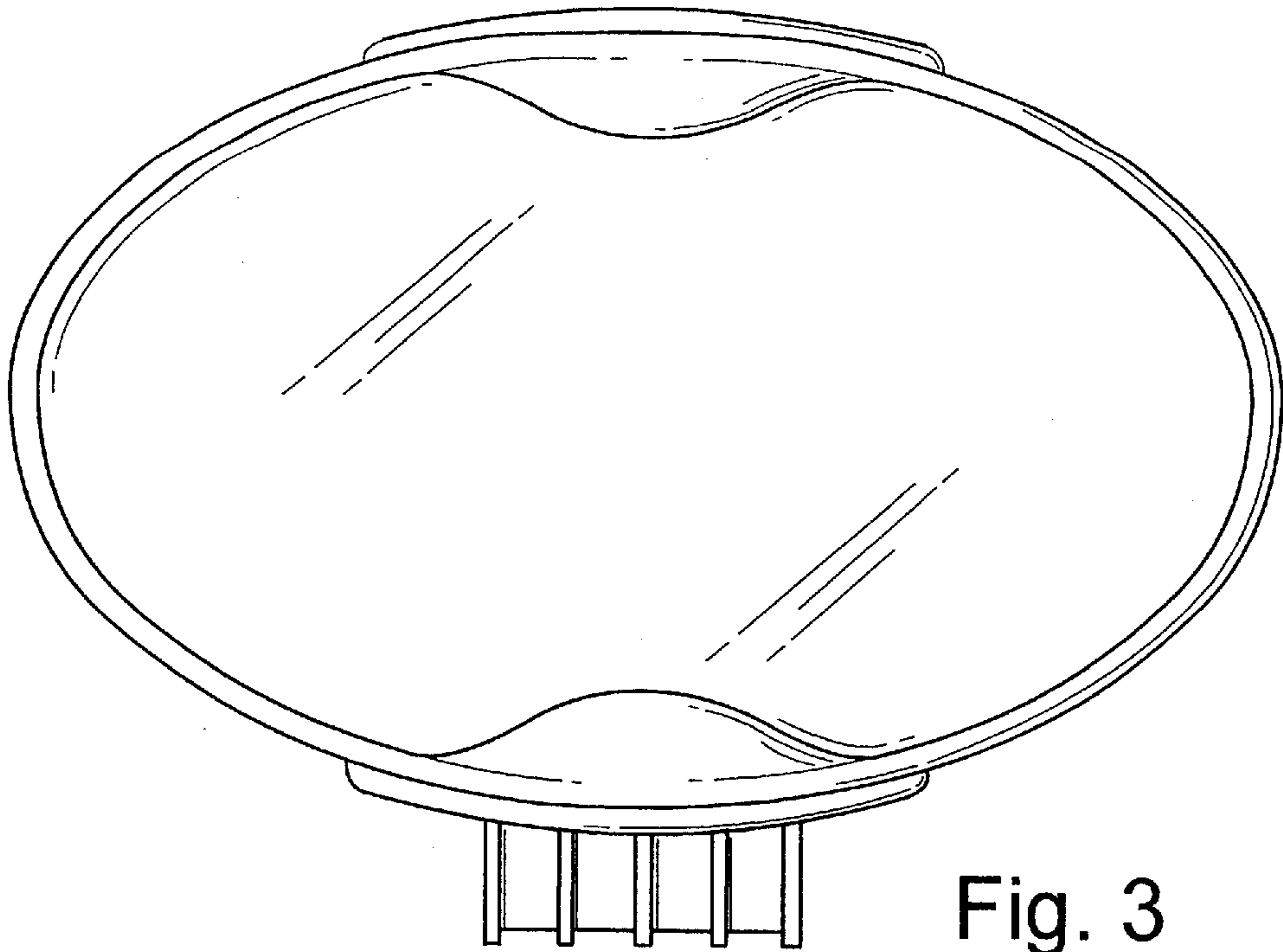


Fig. 3

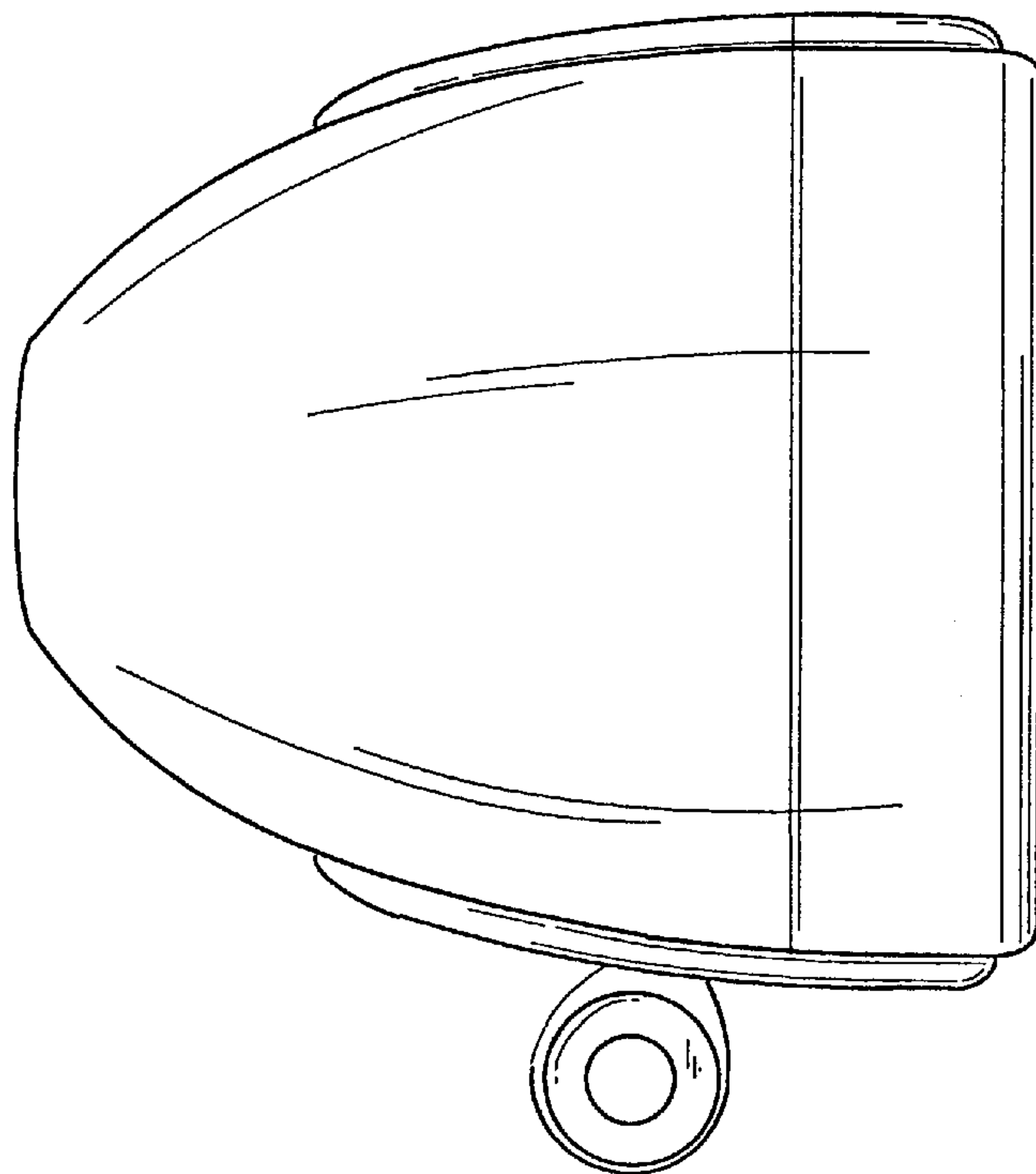


Fig. 4