



US00D471656S

(12) **United States Design Patent**
Poon

(10) **Patent No.:** **US D471,656 S**

(45) **Date of Patent:** **** Mar. 11, 2003**

(54) **HEADLIGHT**

D424,724 S * 5/2000 Hussaini et al. D26/28

(75) Inventor: **Tit Wing Poon**, Shatin (HK)

* cited by examiner

(73) Assignee: **Flying Dragon Development Ltd.**,
Shatin (HK)

Primary Examiner—Marcus A. Jackson
(74) *Attorney, Agent, or Firm*—Alix, Yale & Ristas, LLP

(**) Term: **14 Years**

(57) **CLAIM**

(21) Appl. No.: **29/152,795**

The ornamental design for a headlight, as shown and described.

(22) Filed: **Dec. 20, 2001**

DESCRIPTION

(30) **Foreign Application Priority Data**

Jun. 21, 2001 (HK) 0110925

FIG. 1 is a front perspective view of the headlight showing my new design;

(51) **LOC (7) Cl.** **26-04**

FIG. 2 is a front view of the headlight of FIG. 1;

(52) **U.S. Cl.** **D26/28**

FIG. 3 is a top plan view of the headlight of FIG. 1;

(58) **Field of Search** D26/28-36; 362/72,
362/157, 158, 183-208

FIG. 4 is a left side view of the headlight of FIG. 1;

FIG. 5 is a right side view of the headlight of FIG. 1;

FIG. 6 is a rear view of the headlight of FIG. 1; and,

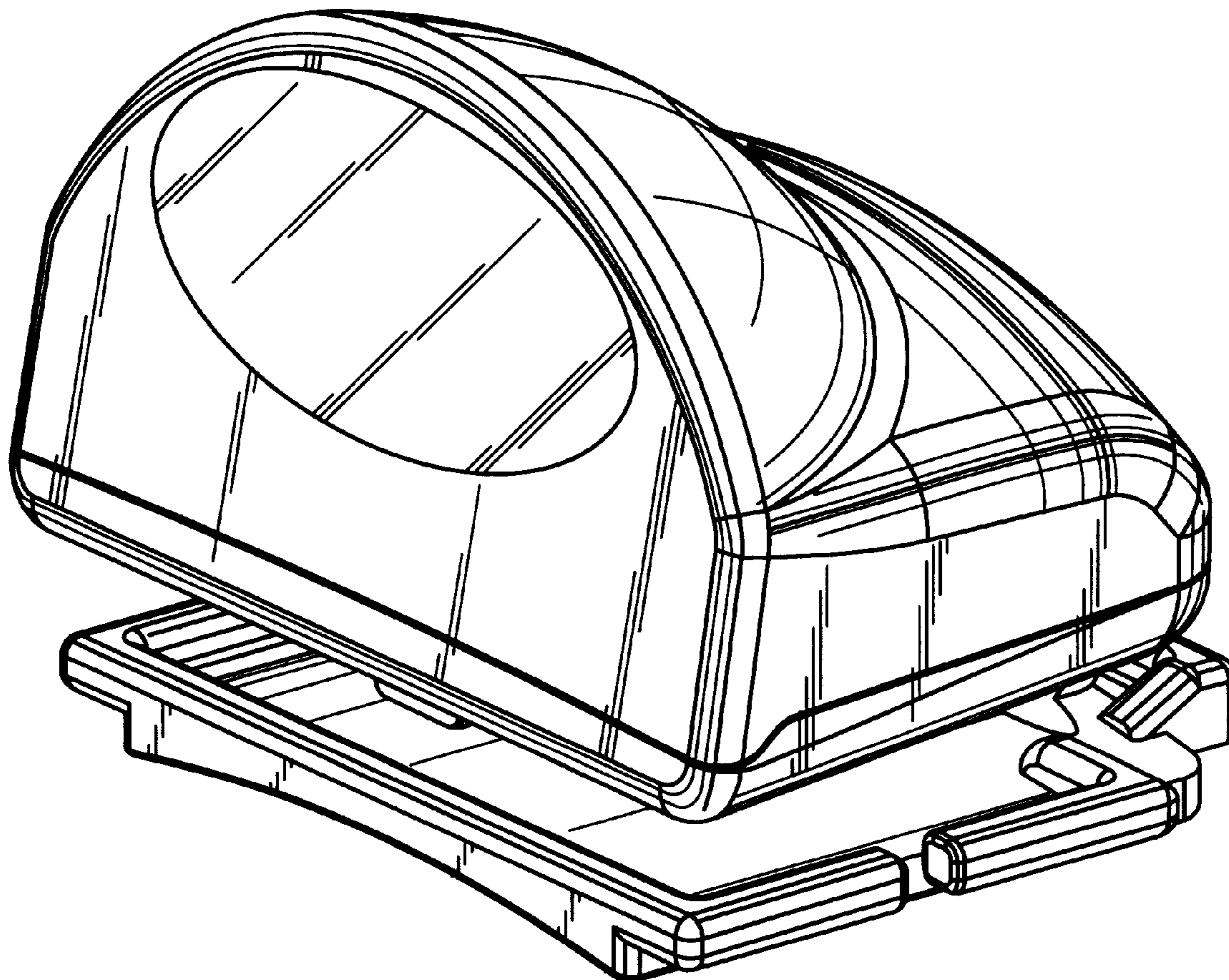
FIG. 7 is a bottom plan view of the headlight of FIG. 1.

(56) **References Cited**

U.S. PATENT DOCUMENTS

D415,584 S * 10/1999 Anwyl-Davies D26/28

1 Claim, 4 Drawing Sheets



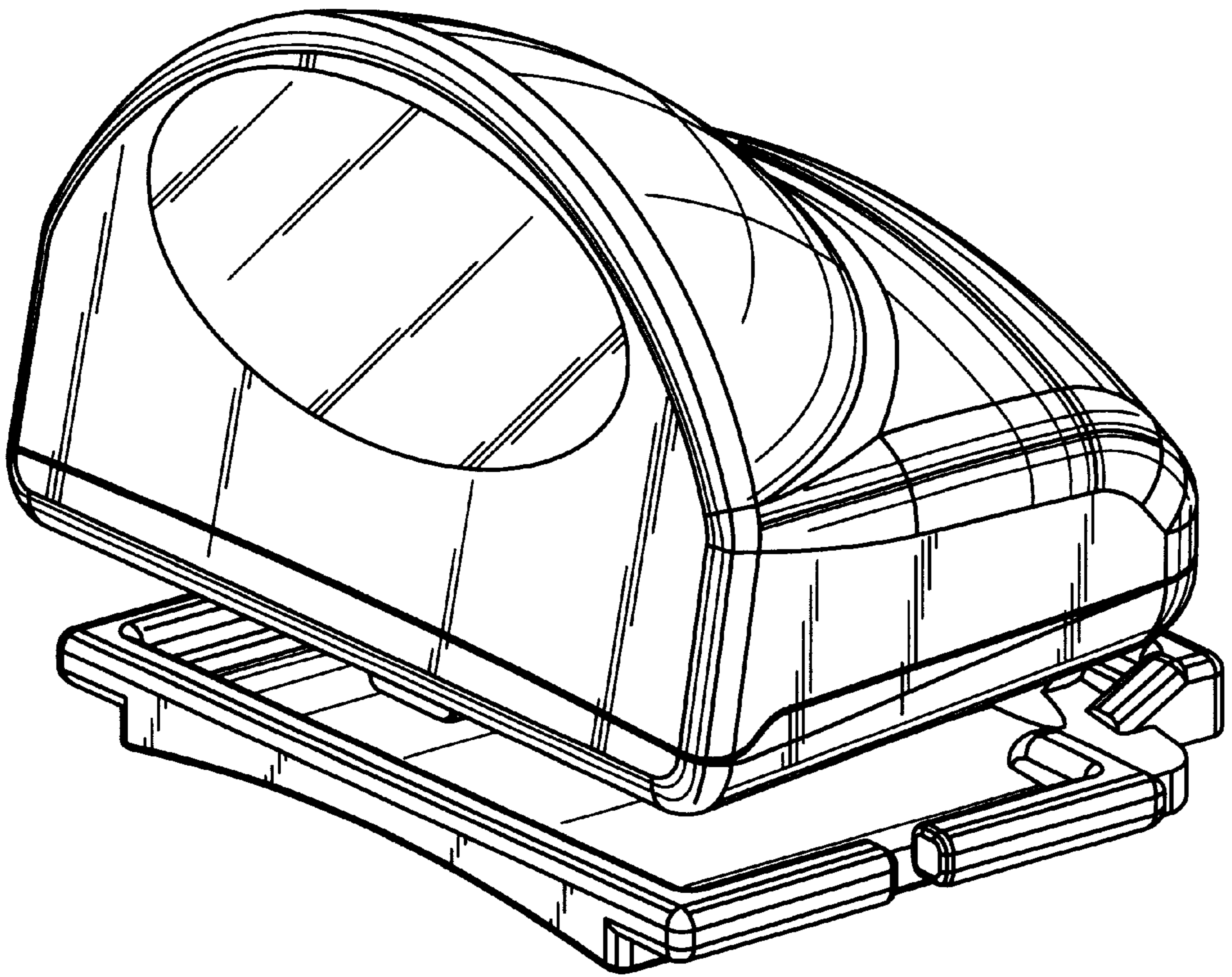


FIG. 1

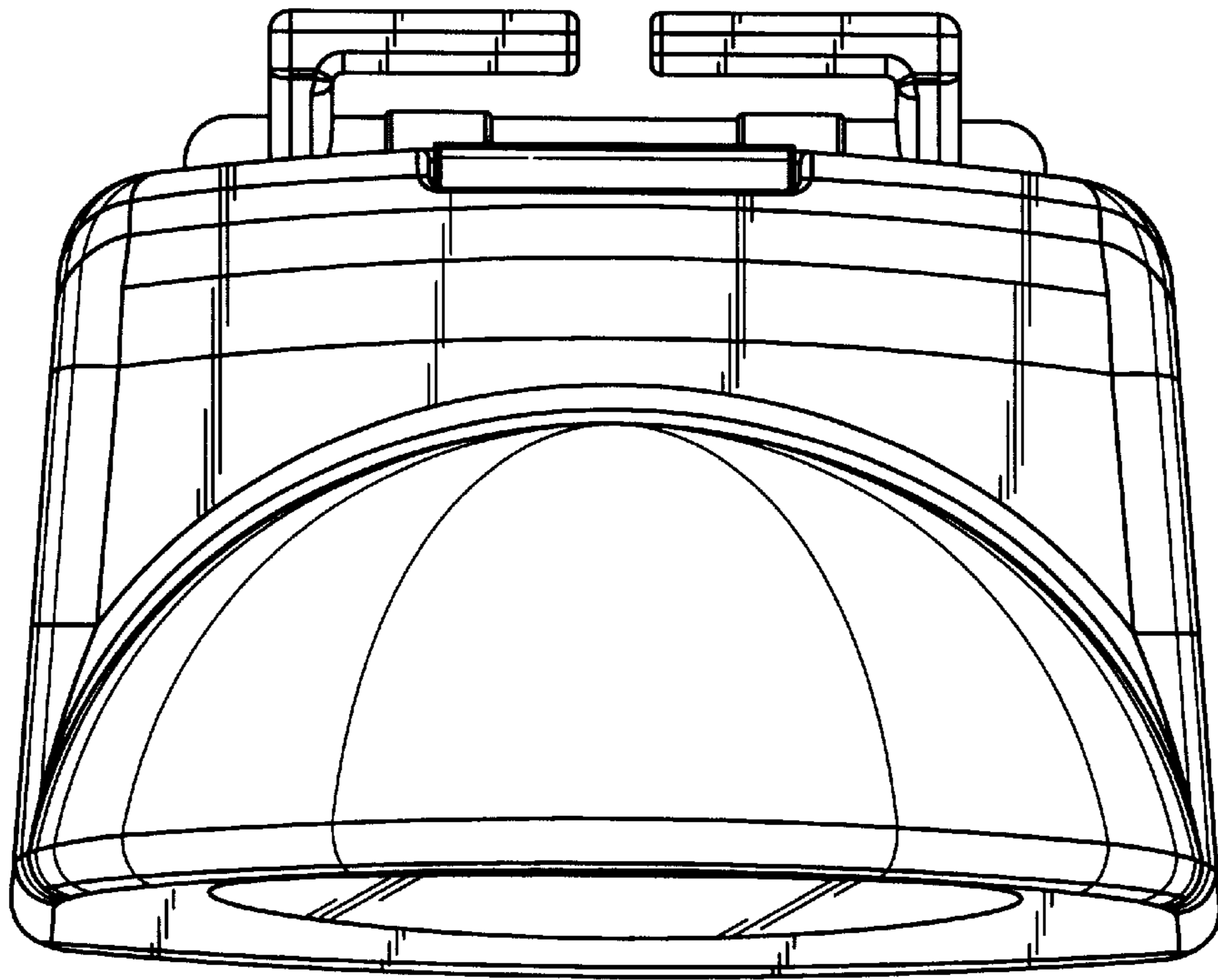


FIG. 3

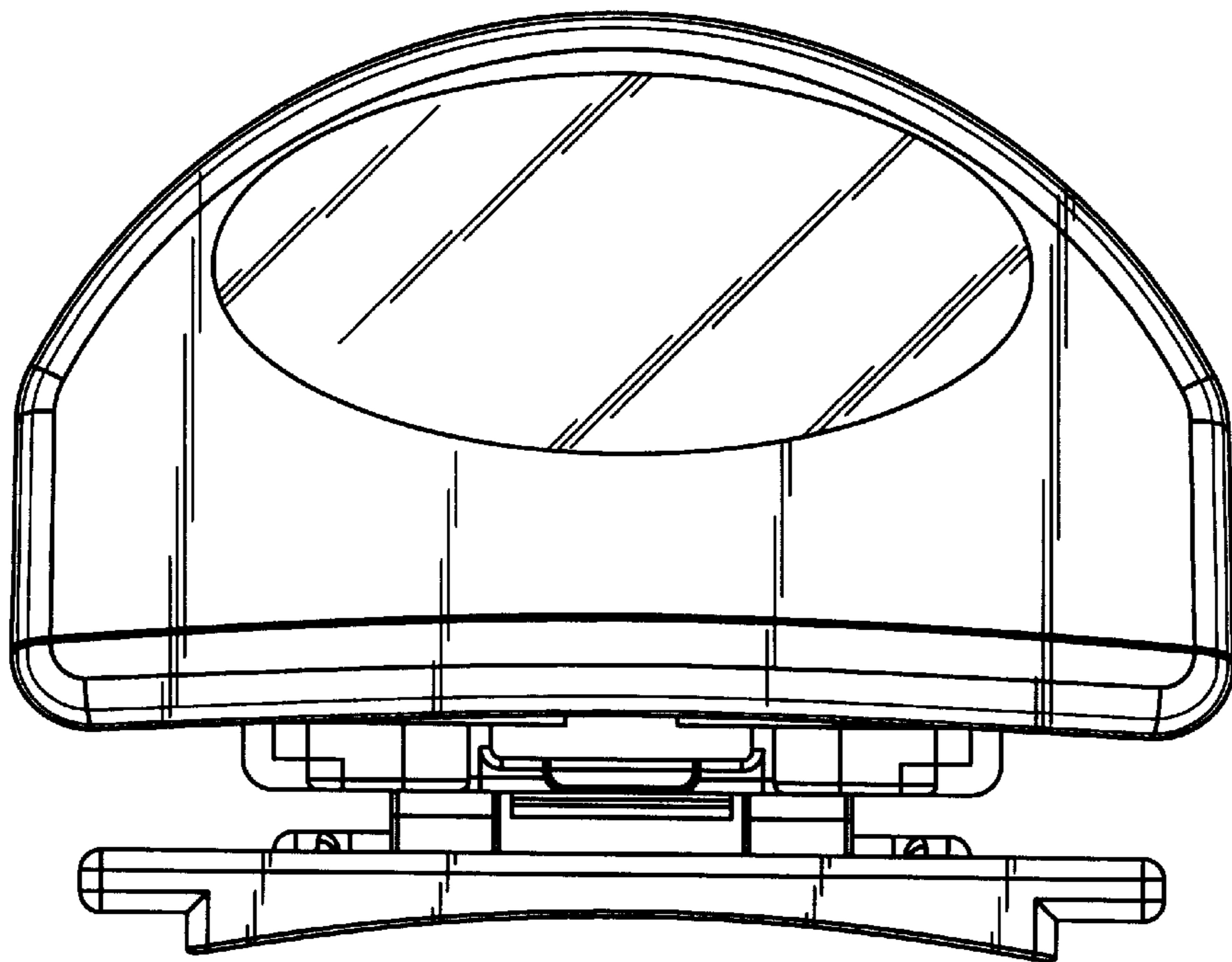


FIG. 2

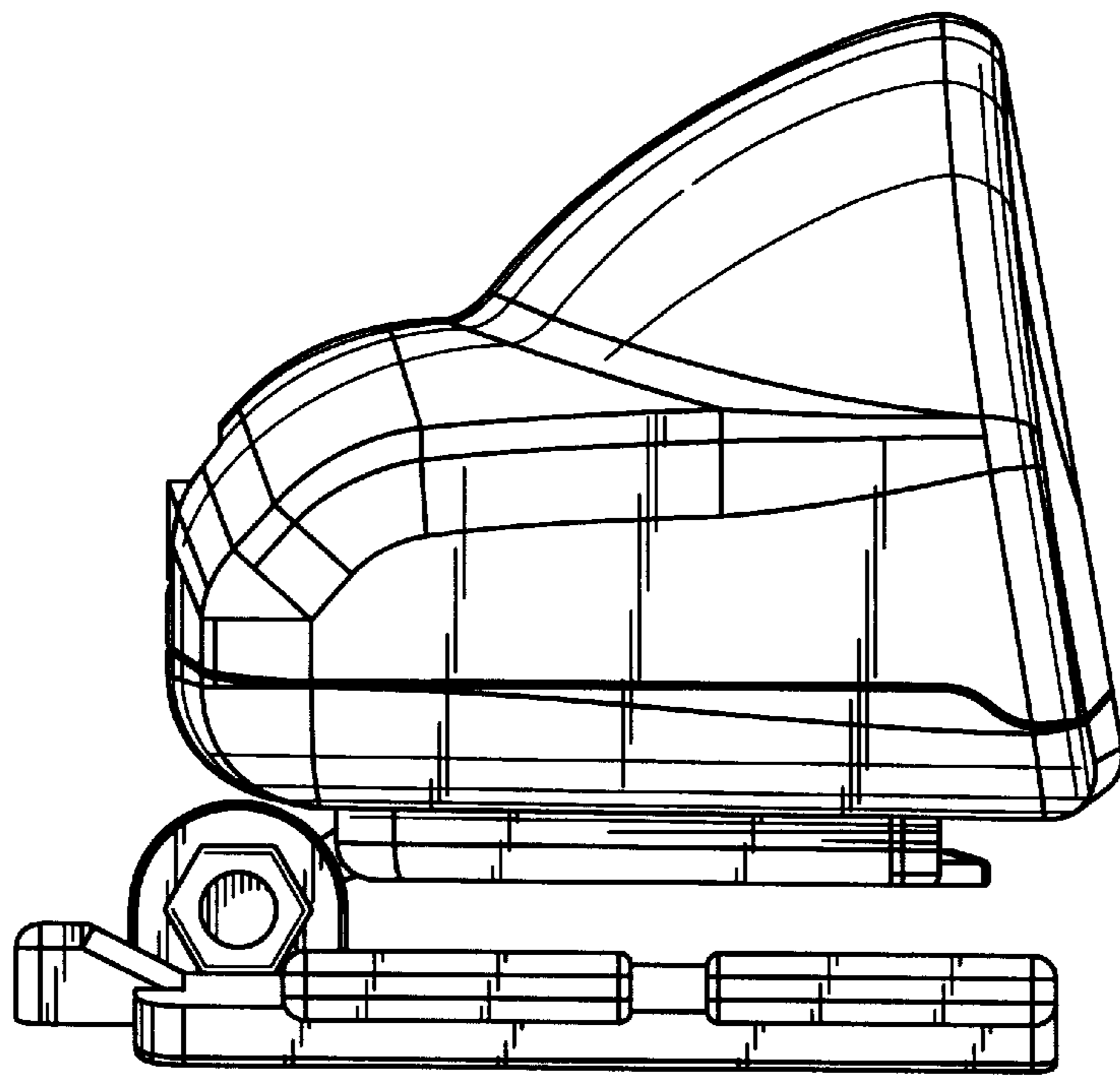


FIG. 4

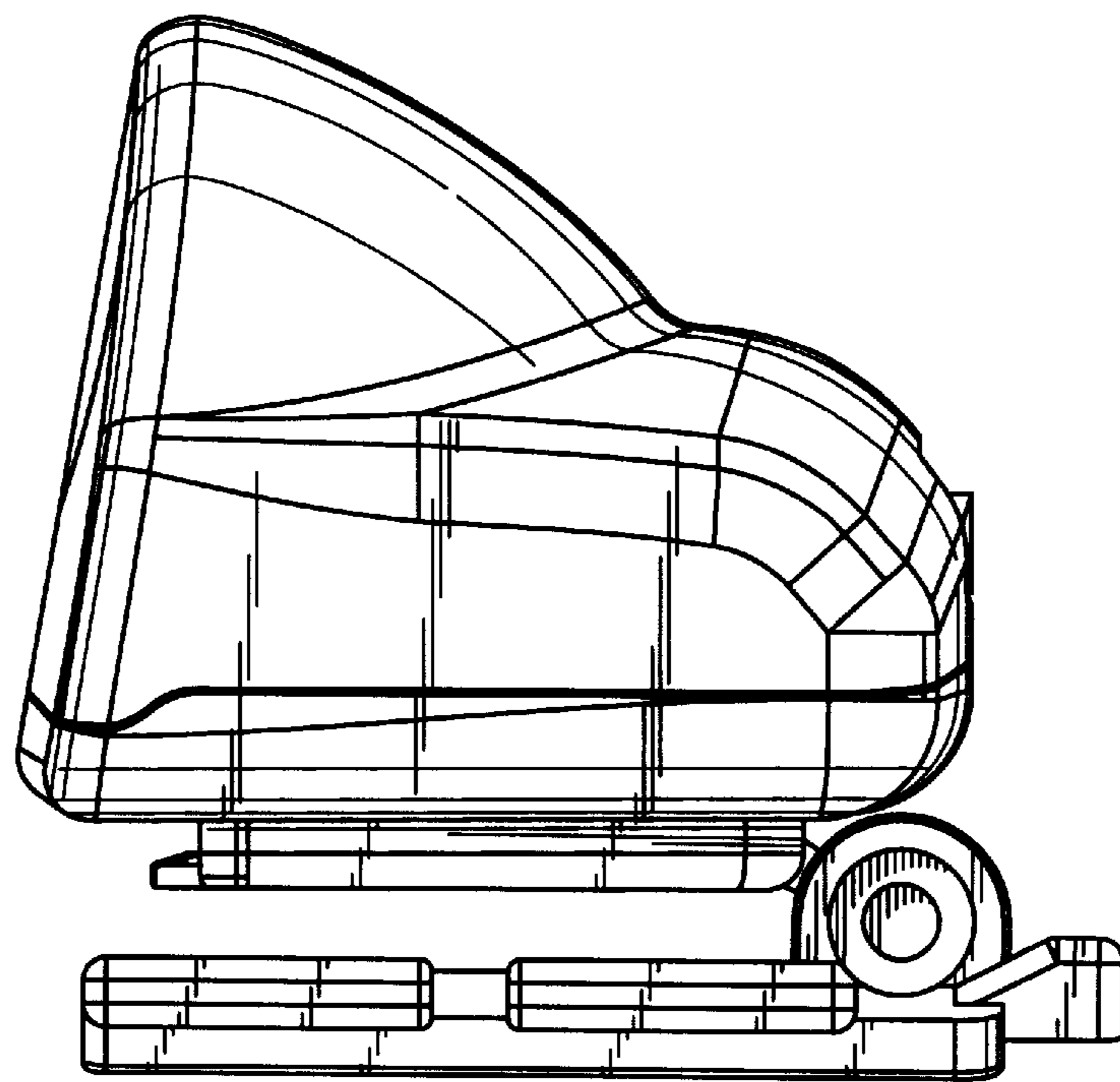


FIG. 5

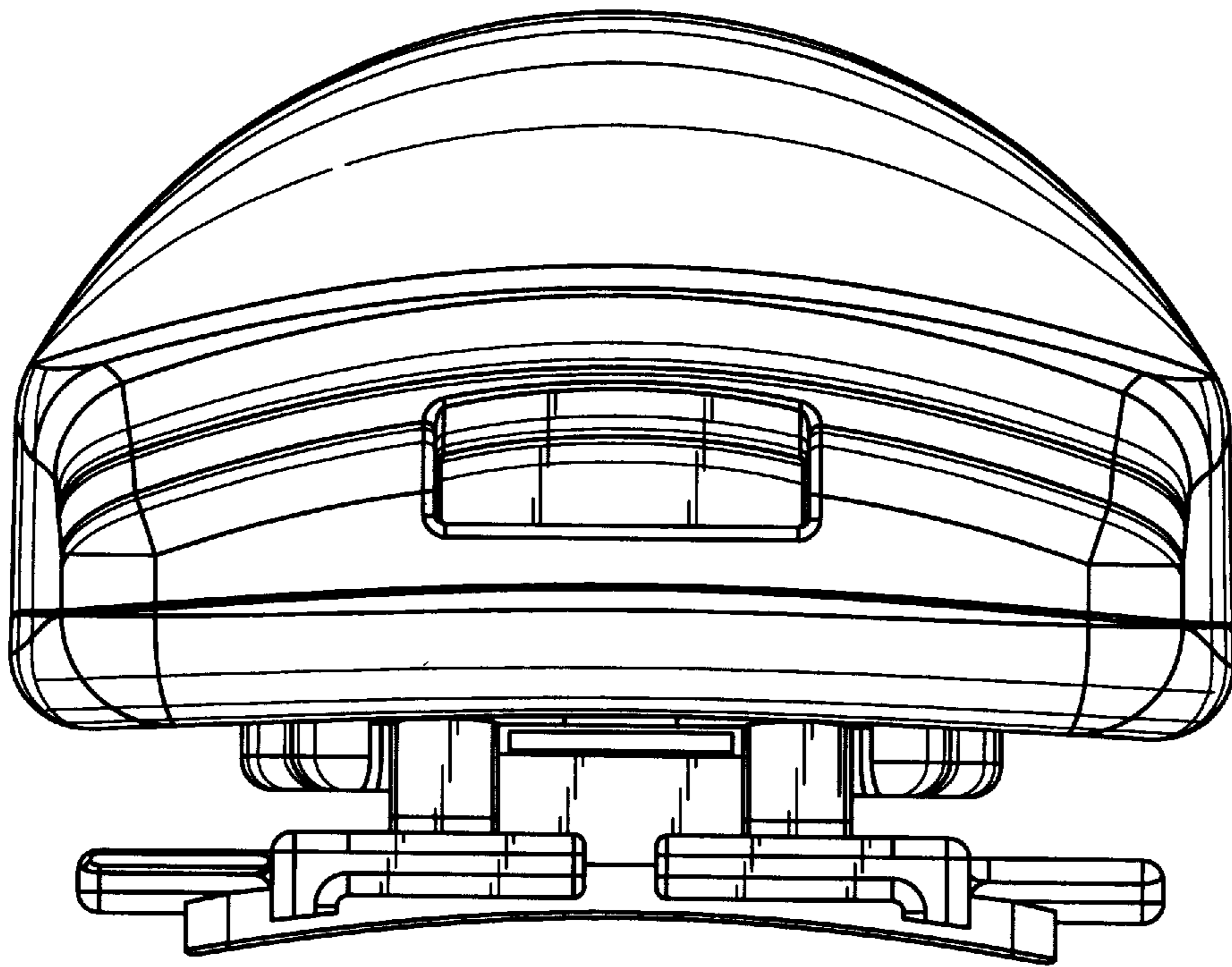


FIG. 6

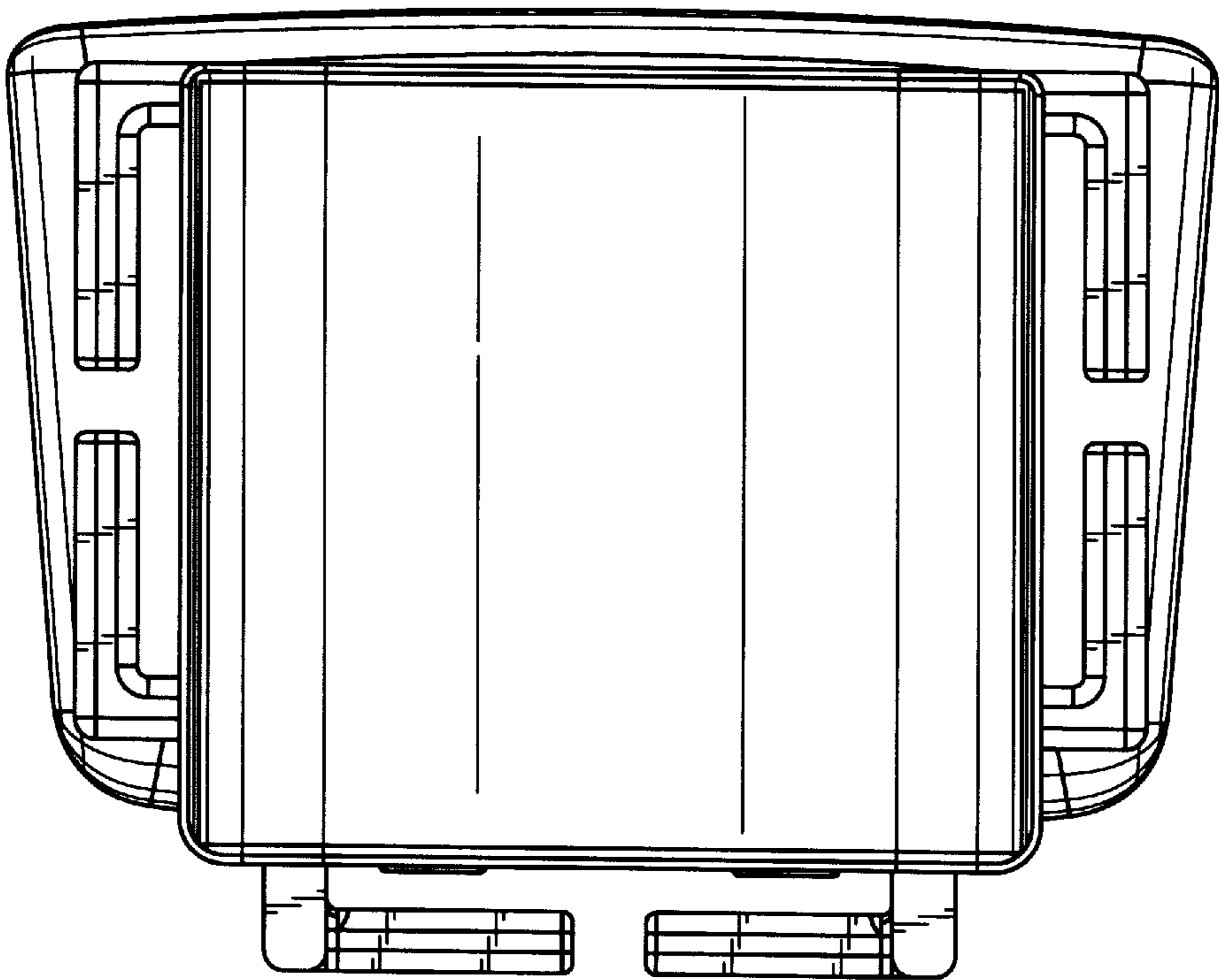


FIG. 7