



US00D471655S

(12) **United States Design Patent**  
**Brüssing et al.**

(10) **Patent No.:** **US D471,655 S**

(45) **Date of Patent:** **\*\* Mar. 11, 2003**

(54) **NAVIGATION LIGHT**

D462,799 S \* 9/2002 Zraylek, Jr. et al. .... D26/28

(75) Inventors: **Bernd Brüssing**, Ulm (DE); **Günter Preschl**, Ulm (DE)

\* cited by examiner

(73) Assignee: **Hella Fahrzeugteile Austria GmbH & Co. KG**, Grosspetersdorf (AT)

*Primary Examiner*—Marcus A. Jackson

(74) *Attorney, Agent, or Firm*—Herbert Dubno

(\*\*) Term: **14 Years**

(57) **CLAIM**

The ornamental design for a navigation light, as shown and described.

(21) Appl. No.: **29/146,065**

(22) Filed: **Aug. 2, 2001**

**DESCRIPTION**

(30) **Foreign Application Priority Data**

Feb. 6, 2001 (AT) ..... 556/01

FIG. 1 is a top plan view of a navigation light showing our new design, the bottom being not visible in use of the navigation light and being unornamented;

(51) **LOC (7) Cl.** ..... **26-04**

FIG. 2 is a front view thereof;

(52) **U.S. Cl.** ..... **D26/28**

(58) **Field of Search** ..... D26/28-36, 72,  
D26/74, 85; 362/61, 80, 80.1, 82, 83, 83.3,  
267, 269, 361, 362, 364

FIG. 3 is a left side elevational view thereof, the right side being mirror symmetrical thereto;

FIG. 4 is a perspective view thereof; and,

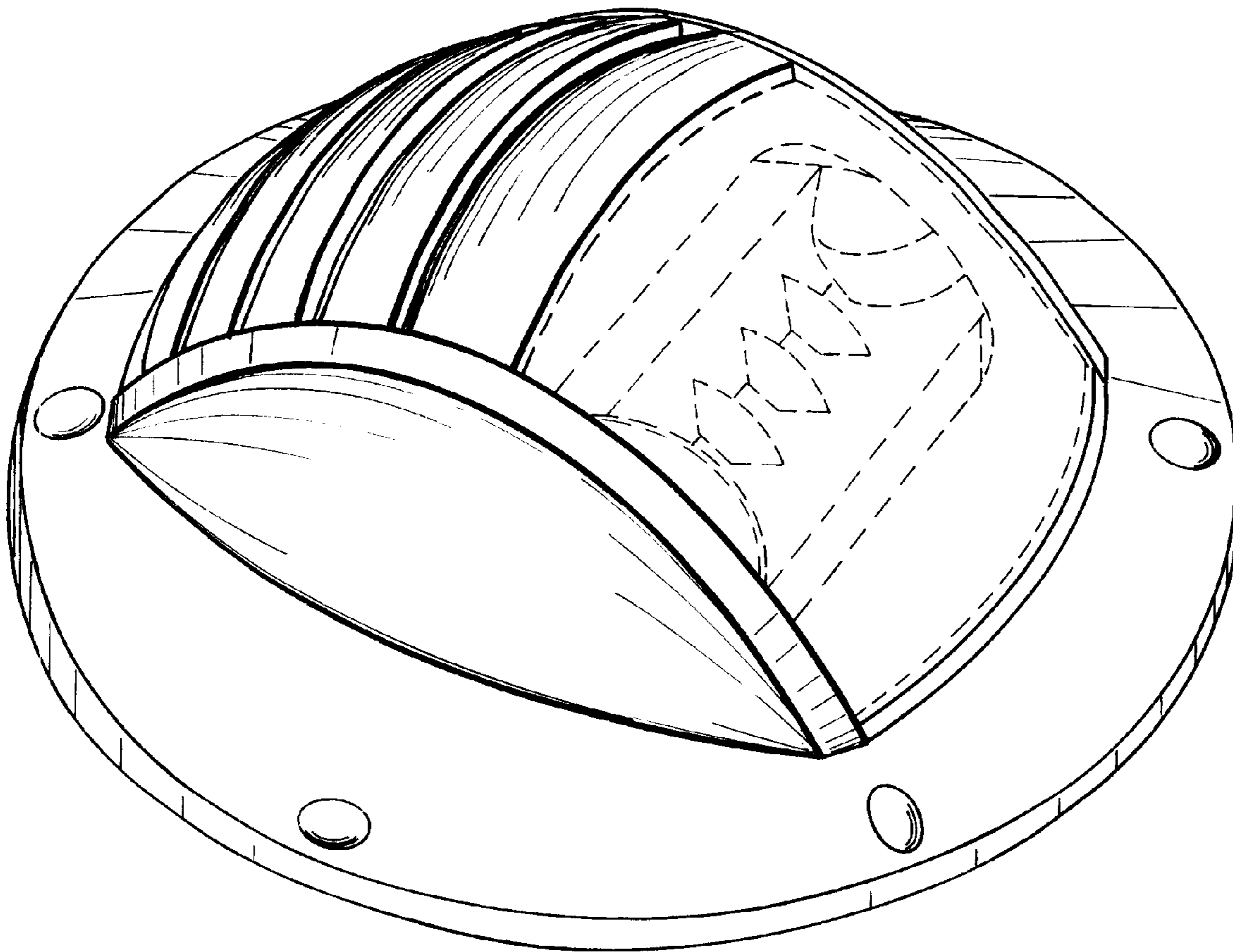
FIG. 5 is a perspective view thereof with a top part separated from a bottom part thereof.

(56) **References Cited**

**U.S. PATENT DOCUMENTS**

D412,370 S \* 7/1999 CeCe ..... D26/28

**1 Claim, 5 Drawing Sheets**



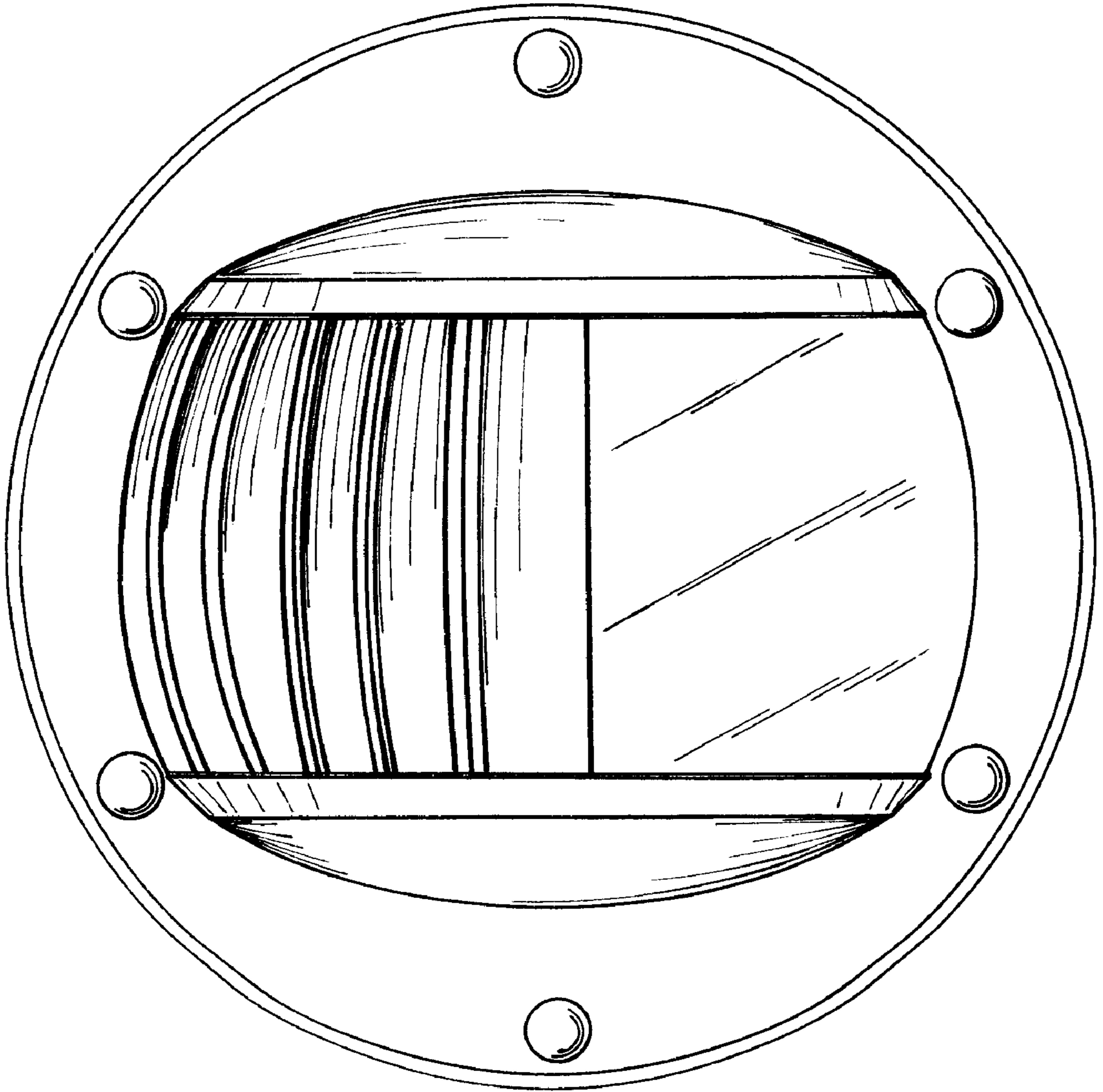


FIG. 1

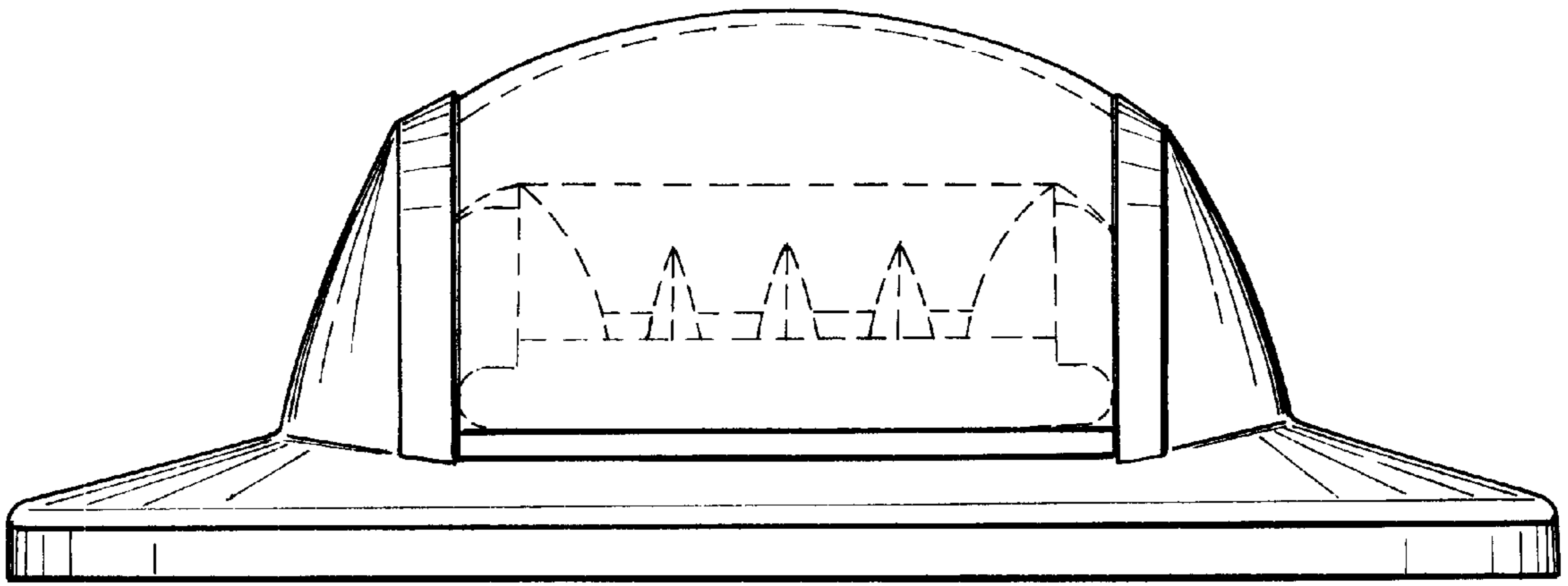


FIG.2

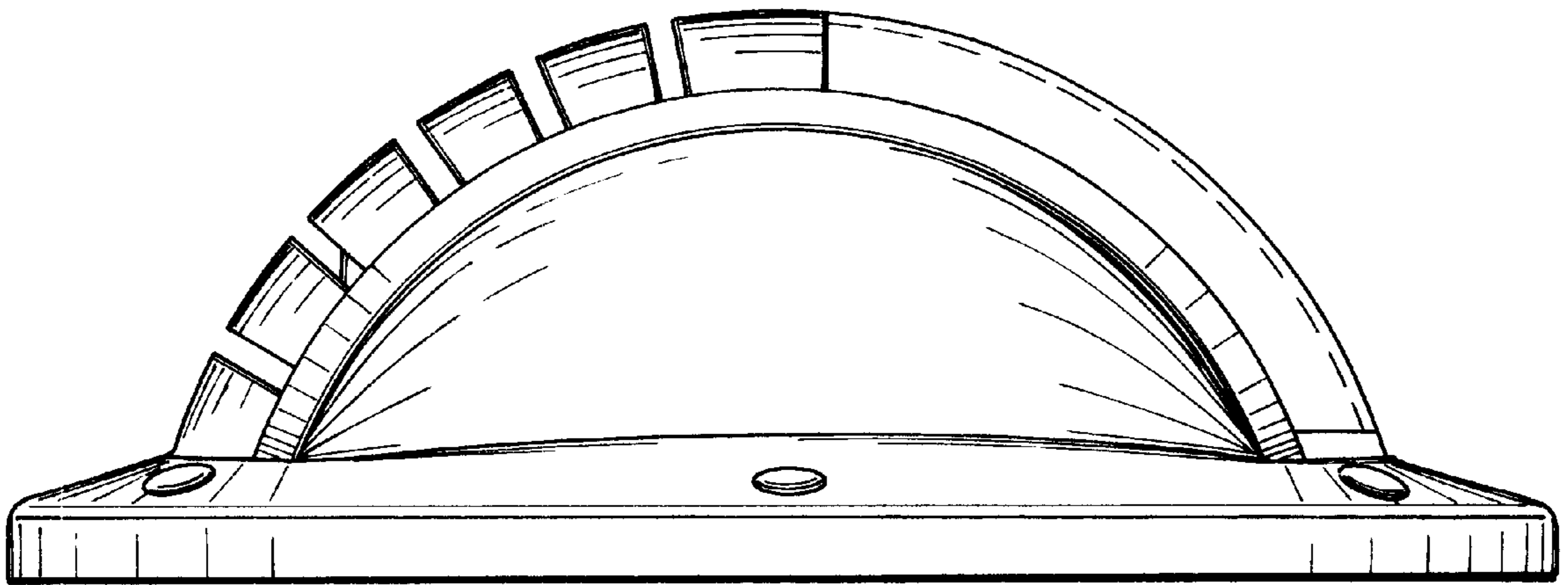


FIG.3

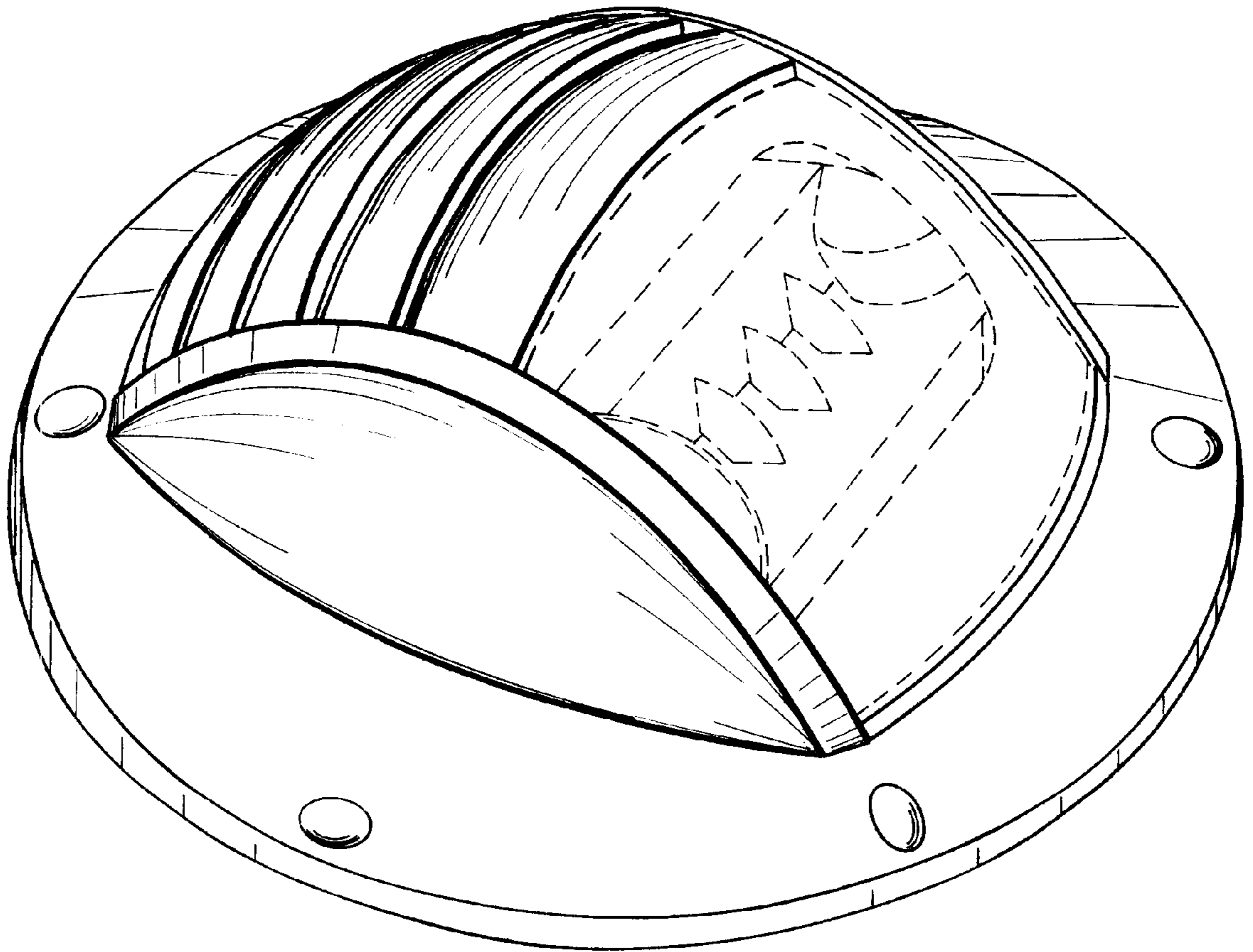


FIG. 4

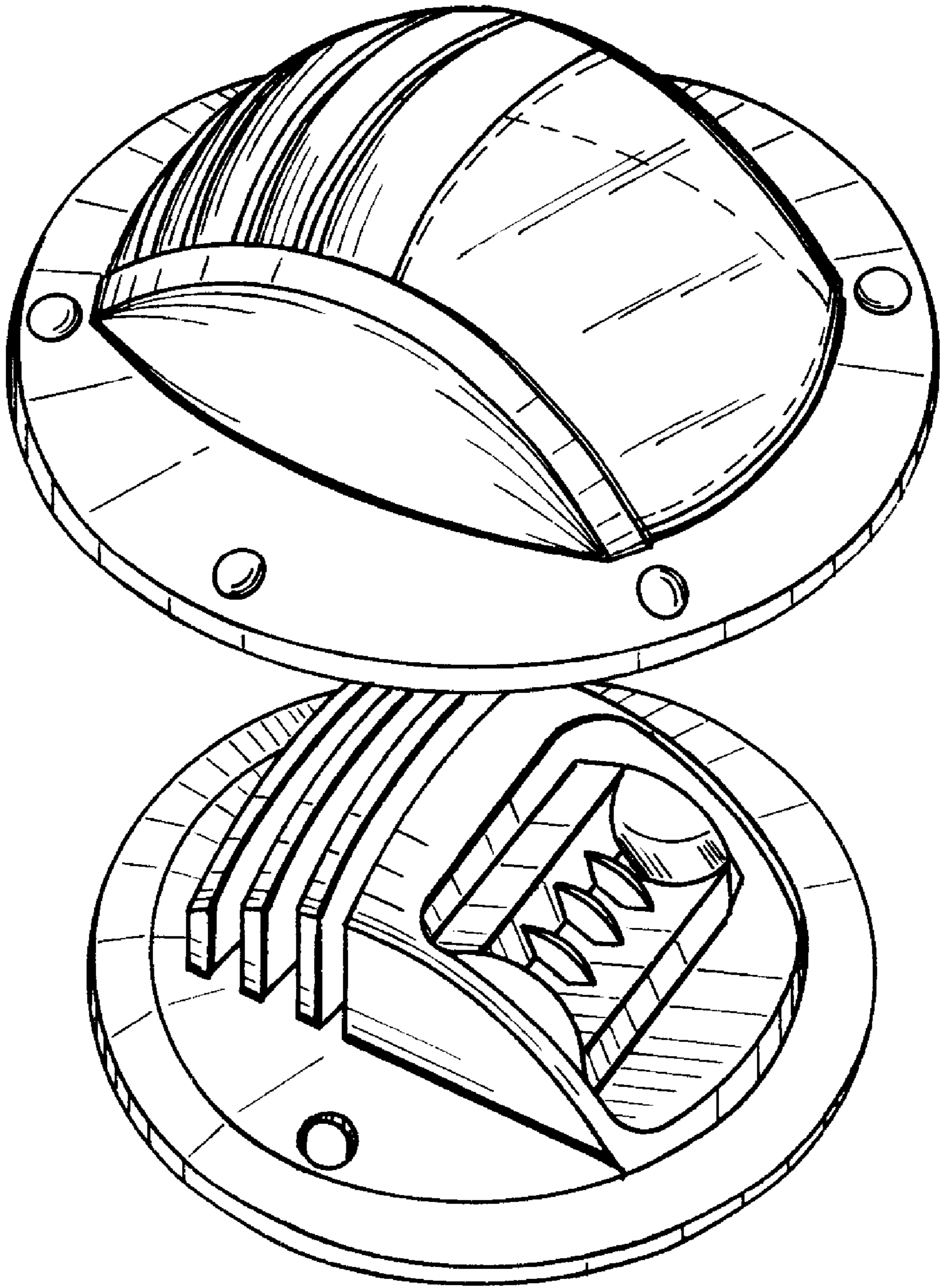


FIG. 5