



US00D471646S

(12) **United States Design Patent**
Westphal et al.

(10) **Patent No.:** **US D471,646 S**

(45) **Date of Patent:** **** Mar. 11, 2003**

(54) **H-MULLION FOR A WINDOW**

(75) Inventors: **Dennis C. Westphal**, Parma, MI (US);
Stanley Gursky, Yardley, PA (US);
Edward McIntosh, West Chester, PA (US);
Jerome Carl Habeck, Holt, MI (US)

(73) Assignee: **CertainTeed Corp**, Valley Forge, PA (US)

(**) Term: **14 Years**

(21) Appl. No.: **29/161,987**

(22) Filed: **Jun. 7, 2002**

(51) **LOC (7) Cl.** **25-01**

(52) **U.S. Cl.** **D25/122**

(58) **Field of Search** D25/122, 124;
49/501, 505, DIG. 2; 52/204.1, 204.5

(56) **References Cited**

U.S. PATENT DOCUMENTS

D424,214 S * 5/2000 Siudzinski D25/122

* cited by examiner

Primary Examiner—Doris Clark

(74) *Attorney, Agent, or Firm*—Duane Morris LLP

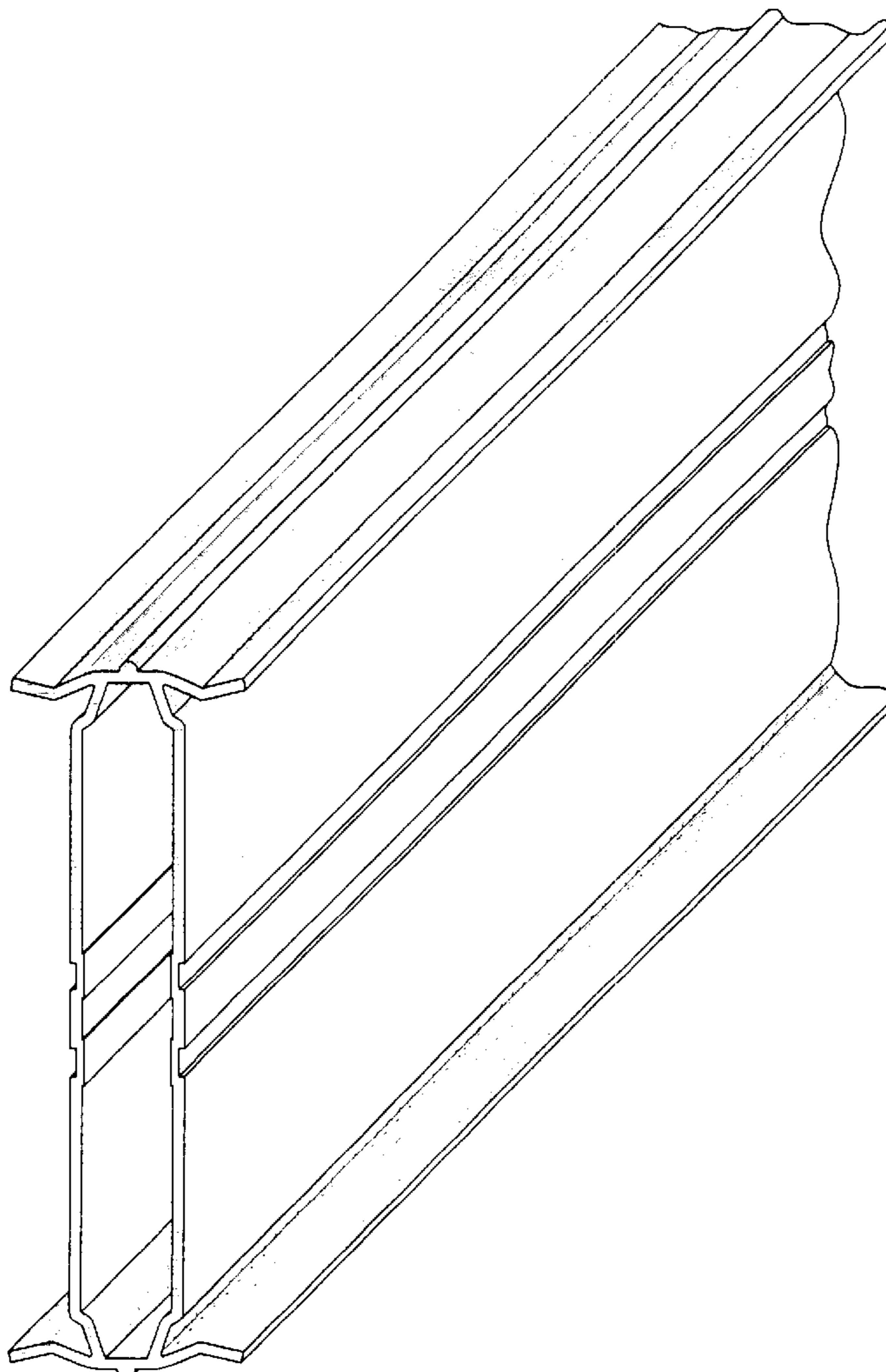
(57) **CLAIM**

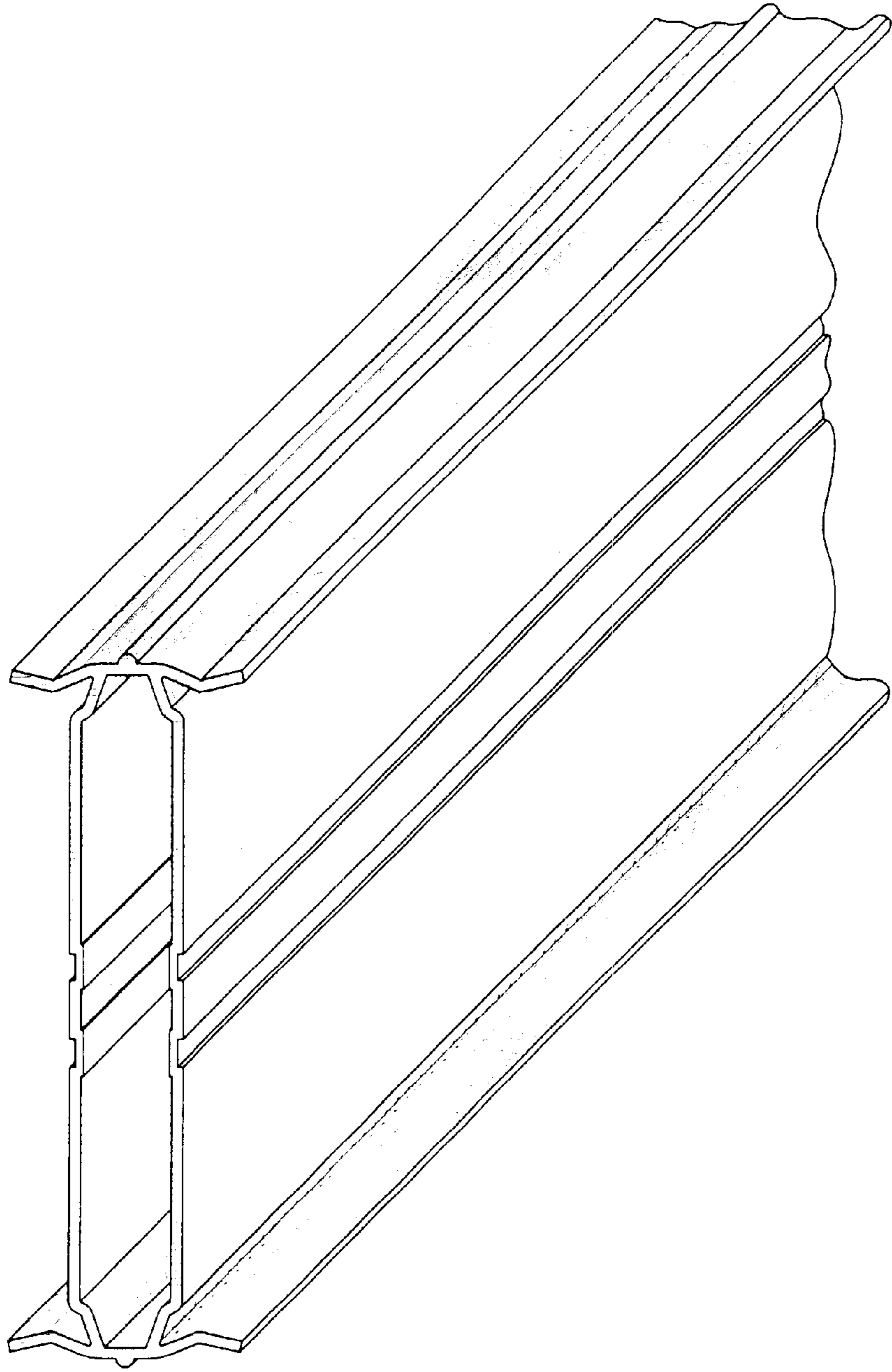
The ornamental design for an H-mullion for a window, as shown and described.

DESCRIPTION

The FIGURE is a front perspective view of an H-mullion for a window, showing our new design, the rear perspective view being a mirror image thereof, and is shown fragmented indicating indefinite length.

1 Claim, 1 Drawing Sheet





THE FIGURE